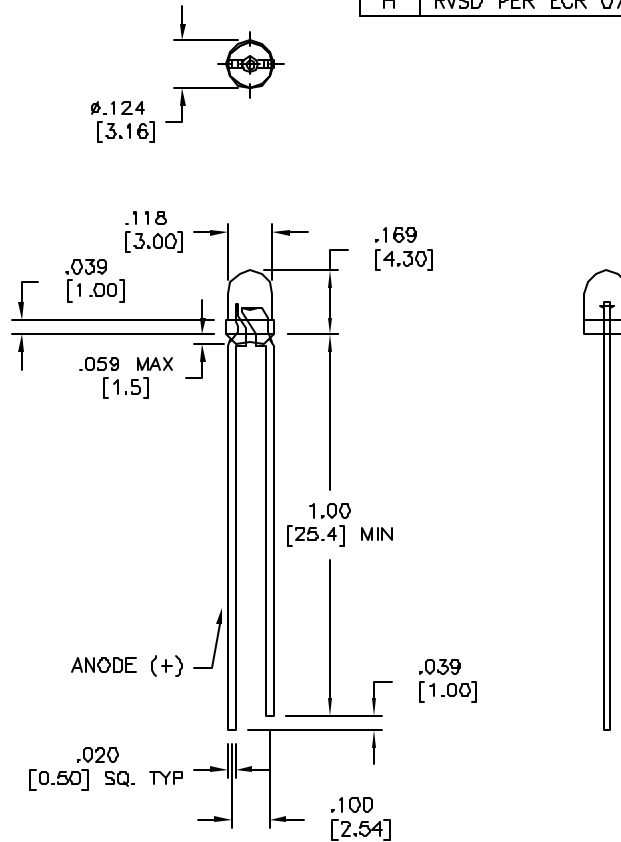


LTR	REVISION	DATE	APPD
C	RVSD PER ECR 051299-SA01	05-21-99	SA
D	RVSD PER ECR 092399-SA04	09-23-99	SA
E	RVSD PER ECR 111799-SA05	11-17-99	SA
F	RVSD PER ECR 102401-RM01	10-24-01	RM
G	RVSD PER ECR 062403-RM01	06-24-03	RM
H	RVSD PER ECR 070203-RM01	07-02-03	RM



NOTES:

1. ALL DIMS ARE IN INCHES (MILLIMETERS).
2. TOLERANCE IS  $\pm 0.010"$  ( $\pm 0.25\text{mm}$ ) UNLESS OTHERWISE SPECIFIED.
3. LEAD SPACING IS MEASURED WHERE LEADS EMERGE FROM THE PACKAGE.
4. LEADS TO BE SOLDERABLE AND CAPABLE OF MEETING THE SOLDERABILITY REQUIREMENTS OF MIL-STD-202, METHOD 208.
5. MANUFACTURE DATE SHALL NOT BE OLDER THAN 26 WEEKS (6 MONTHS).

LEDTRONICS PART NO.	L.E.D. RADIATION COLOR	L.E.D. APPEARANCE	ABSOLUTE MAXIMUM RATINGS ( $T_a=25^\circ\text{C}$ )					ELECTRO-OPTICAL CHARACTERISTICS ( $T_a=25^\circ\text{C}$ )						
			$P_d$ mW	$I_f$ mA	$I_f$ mA	$V_f$ V	$T_{opr}$ ( $^\circ\text{C}$ )	$I_f$ mA	$I_v$ med typ	$V_f=V$ typ/max	VIEW ANGLE 2 $\theta$ 1/2	$I_f$ max $\mu\text{A}$	$\Delta\lambda$ nm	$\lambda_{Peak}$ nm
L120TR6N	ULTRA RED	DIFFUSED	60	150	30	5	-40 TO +85	20	150	1.7/2.6	45	100	20	660
L120TR5N	HI-EFF RED	DIFFUSED	100	150	30	5	-40 TO +85	20	32	2.0/2.6	50	100	45	635
L12T05N	ORANGE	DIFFUSED	100	150	30	5	-40 TO +85	20	14	2.0/2.6	50	100	35	610
L120TY5N	YELLOW	DIFFUSED	100	150	30	5	-40 TO +85	20	24	2.1/2.6	50	100	35	585
L120TG6N	HI-EFF GREEN	DIFFUSED	100	150	30	5	-40 TO +85	20	35	2.2/2.6	50	100	30	568
L120TG5N	HI-EFF GREEN	DIFFUSED	100	150	30	5	-40 TO +85	20	12	2.2/2.6	50	100	30	568
L120TGG5N	PURE GREEN	DIFFUSED	100	150	30	5	-40 TO +85	20	10	2.2/2.6	45	100	25	555

$T_{stg}$ : -40°C TO +100°C  
 LEAD SOLDERING TEMP: [1.6mm (.063in) FROM BODY] 260°C FOR 5 SEC.

 LEDTRONICS, INC. 23105 KASHIWA COURT TORRANCE, CA 90505	PROPRIETARY. This document contains Proprietary Information of LEDTRONICS, INC. It may not be copied, used or disclosed for any purpose without the prior express written consent of LEDTRONICS, INC.	TITLE L120TXXN			
	.00X $\pm$ .010 TOLERANCE PER ANSI-Y14.5 .0X $\pm$ .025 (UNLESS OTHERWISE STATED) ANGLES $\pm$ 0°.30" FRACT. $\pm$ 1/32	DWG NO DSDD0004	SCALE 2:1	SHEET 1 OF 1	DATE 01-20-97
	CODE IDENT NO. 8Z410	DWG BY SMA	CHK BY PL 07-07-03	QA MFG	CUSTOMER