

SANYO

No. 3294

LB1690**3-Phase Motor Driver****Overview**

The LB1690 is a driver IC for 3-phase brushless motors.
It is ideally suited for DC fan motors of air-conditioner, hotwater system.

Features

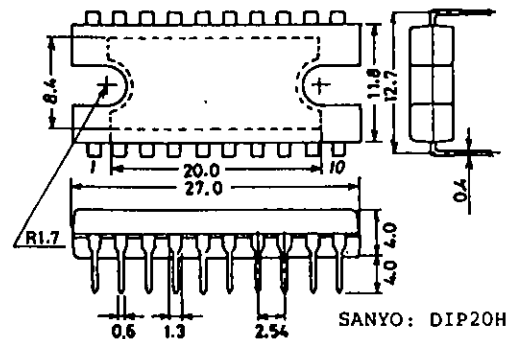
- 3-phase brushless motor driver
- 45V withstand voltage and 2.5A output current
- Current limiter
- Low-voltage protection circuit
- Thermal Shutdown circuit
- Hall amp with hysteresis characteristic
- FG output function

Absolute Maximum Ratings at Ta = 25°C

			unit
Maximum Supply Voltage	V _{CC} max	10	V
	V _M max	45	V
Output Current	I _o	2.5	A
Allowable Power Dissipation	Pd1	IC alone	3
	Pd2	With infinite heat sink	20
Operating Temperature	T _{opr}	-20 to +100	°C
Storage Temperature	T _{stg}	-55 to +150	°C

Allowable Operating Conditions at Ta = 25°C

			unit
Supply Voltage Rang	V _{CC}	4.5 to 5.5	V
	V _M	5 to 42	V

Package Dimensions 3037A
(unit: mm)

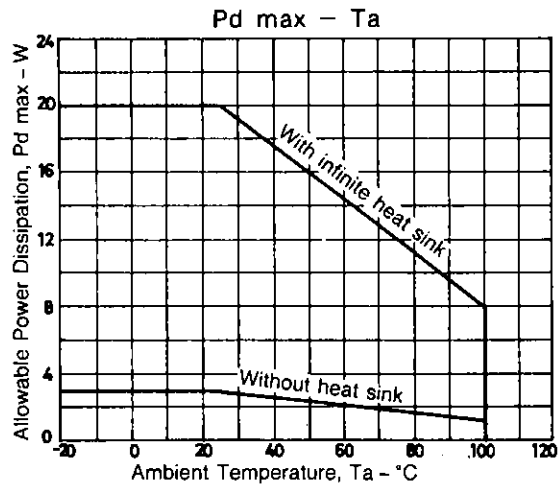
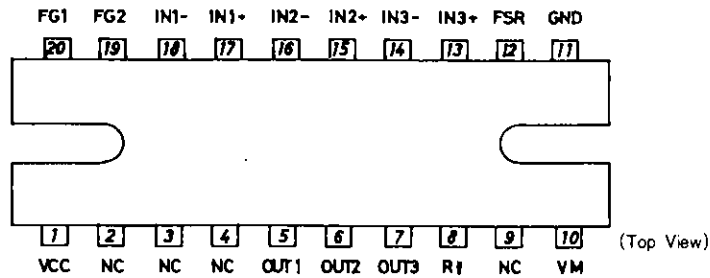
SANYO Electric Co., Ltd. Semiconductor Business Headquarters
TOKYO OFFICE Tokyo Bldg., 1-10, 1 Chome, Ueno, Taito-ku, TOKYO, 110 JAPAN

LB1690

Electrical Characteristics at $T_a=25^\circ\text{C}$, $V_{CC}=5\text{V}$, $V_M=30\text{V}$

			min	typ	max	unit
Supply Current	I_{CC1}	Stop mode		3.5	5	mA
	I_{CC2}			10	15	mA
Output Saturation Voltage	$V_O \text{ sat1}$	$I_O=1\text{A } V_O(\text{sink})+V_O(\text{source})$		2.1	3.0	V
	$V_O \text{ sat2}$	$I_O=2\text{A } V_O(\text{sink})+V_O(\text{source})$		3.0	4.2	V
Output Leakage Current [Hall amp]	$I_O \text{ leak}$				100	μA
Input Bias Current	I_{HB}			1	4	μA
Common-Mode Input Voltage Range			1.5		3.2	V
Hysteresis Width	ΔV_{IN}		23	30	37	mV
Input Voltage	V_{SLH}	[L]→[H]	5	15	25	mV
	V_{SHL}	[H]→[L]	-25	-15	-5	mV
[FG terminal]						
Speed pulse Output						
'L'-Level Output Voltage	V_{FGL}	$I_{FG}=5\text{mA}$		0.16	0.4	V
Pull-up resistance value	R_{FG}		7.5	10	12.5	$\text{K}\Omega$
Forward/Stop/Reverse						
Forward	V_{FSR1}			0	0.8	V
Stop	V_{FSR2}		2.1	2.5	2.9	V
Reverse	V_{FSR3}		4.2	5.0		V
Current Limiter	V_{Rf}		0.42	0.5	0.6	V
Thermal Shutdown Temperature	T_{SD}	Design goal	150	180		$^\circ\text{C}$
Hysteresis Width	ΔT_{SD}			25		$^\circ\text{C}$
Low-Voltage Protection Voltage	V_{LVSD}		3.5	3.8	4.1	V
Hysteresis Width	ΔV_{LVSD}		0.2	0.3	0.4	V

Pin Assignment



Truth Table

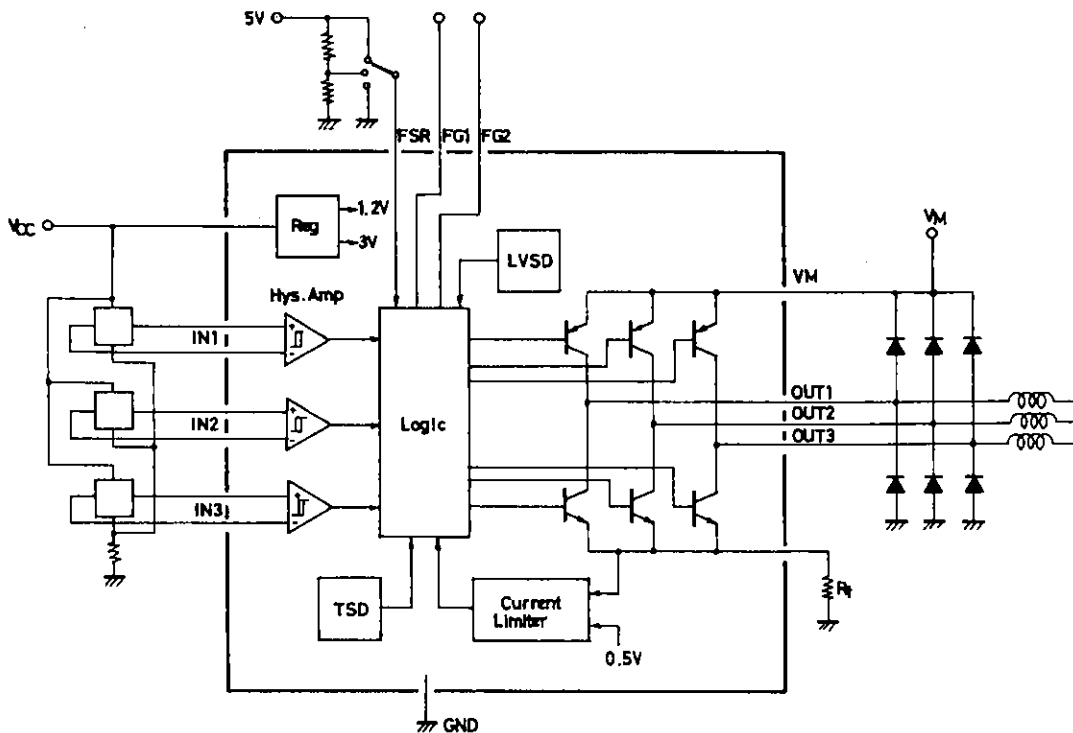
Item	Source Sink	Input			Forward/Reverse Control FSR
		IN1	IN2	IN3	
1	OUT 3 → OUT 2	H	H	L	L
	OUT 2 → OUT 3				H
2	OUT 3 → OUT 1	H	L	L	L
	OUT 1 → OUT 3				H
3	OUT 2 → OUT 3	L	L	H	L
	OUT 3 → OUT 2				H
4	OUT 1 → OUT 2	L	H	L	L
	OUT 2 → OUT 1				H
5	OUT 2 → OUT 1	H	L	H	L
	OUT 1 → OUT 2				H
6	OUT 1 → OUT 3	L	H	H	L
	OUT 3 → OUT 1				H

FSR
 Forward L 0 to 0.8V
 Reverse H 4.2 to 5.0V

FG Output



Block Diagram and Peripheral Circuit Diagram



Pin Description

Pin Name	Pin No.	Description
IN1 ⁺ , IN1 ⁻	17, 18	OUT1: Hall element input pins for Phase 1. High logic is the state when IN ⁺ > IN ⁻ .
IN2 ⁺ , IN2 ⁻	15, 16	OUT2: Hall element input pins for Phase 2. High logic is the state when IN ⁺ > IN ⁻ .
IN3 ⁺ , IN3 ⁻	13, 14	OUT3: Hall element input pins for Phase 3. High logic is the state when IN ⁺ > IN ⁻ .
OUT1	5	Output pin for Phase 1
OUT2	6	Output pin for Phase 2
OUT3	7	Output pin for Phase 3
V _{CC}	1	Power supply pin for applying voltage to each section other than output section
V _M	10	Power supply for output section
R _F	8	Output current detect pin; R _F is inserted between this pin and ground to detect the output current as a voltage.
GND	11	Ground for other than output The minimum potential of output transistor is at the R _F pin.
FSR	12	Forward/stop/reverse control pin The motor is driven forward, stopped, or driven in reverse according to the voltage at this pin. Forward: 0 to 0.8 V Stop: 2.1 to 2.9 V Reverse: 4.2 to 5.0 V
FG1	20	Output pin 1 for speed pulses
FG2	19	Output pin 2 for speed pulses

1. Position detection circuit (Hall element input circuit)

The position detection circuit is a differential amp with hysteresis (30mV typ.). For the operating DC level, use within the common-mode phase input voltage range (1.5 to V_{CC}-1.8 V). Also it is recommended that the input level is at least three times (120 to 160mVp-p) the hysteresis.

2. Current limiter circuit

The current is limited by moving the sink side transistor from saturated to unsaturated, so ASO can be a problem.

$$I = \frac{V_{Rf}}{R_f} \quad (\text{A})$$

Therefore, design so that as much as possible the current limiter is not triggered.

Also, take particular care not to exceed the maximum output current (2.5A) when the current limiter is triggered.

Add a current limiter to the V_M current. (A current setting no greater than 60% to 70% of the current value of current limiter circuit and a short delay time are recommended.)

3. Protection circuits

3-1. Low-voltage protection circuit

If the voltage at the V_{CC} pin falls below the regulated voltage, the sink side output driver is switched off. This circuit is to prevent malfunctioning.

3-2. Thermal shutdown circuit

If the junction temperature rises above the regulated temperature, just as in 3-1., the sink side output driver is switched off.

4. Minimum voltage at V_M power supply

Use a voltage greater than the V_{CC} voltage for the V_M power supply voltage.

$$V_M \geq V_{CC}$$

5. FG output circuit

This circuit combines the IN1, IN2, and IN3 position detection signals, forms the wave, and outputs the result. The frequency of this output is proportional to the rotation speed signal and is 1× (FG1) or 3× (FG2) when seen from each position detection.

- No products described or contained herein are intended for use in surgical implants, life-support systems, aerospace equipment, nuclear power control systems, vehicles, disaster/crime-prevention equipment and the like, the failure of which may directly or indirectly cause injury, death or property loss.
- Anyone purchasing any products described or contained herein for an above-mentioned use shall:
 - ① Accept full responsibility and indemnify and defend SANYO ELECTRIC CO., LTD., its affiliates, subsidiaries and distributors and all their officers and employees, jointly and severally, against any and all claims and litigation and all damages, cost and expenses associated with such use:
 - ② Not impose any responsibility for any fault or negligence which may be cited in any such claim or litigation on SANYO ELECTRIC CO., LTD., its affiliates, subsidiaries and distributors or any of their officers and employees jointly or severally.
- Information (including circuit diagrams and circuit parameters) herein is for example only; it is not guaranteed for volume production. SANYO believes information herein is accurate and reliable, but no guarantees are made or implied regarding its use or any infringements of intellectual property rights or other rights of third parties.