

SANYO

No. 4844

LB1692**Three-Phase Brushless Motor Driver****Overview**

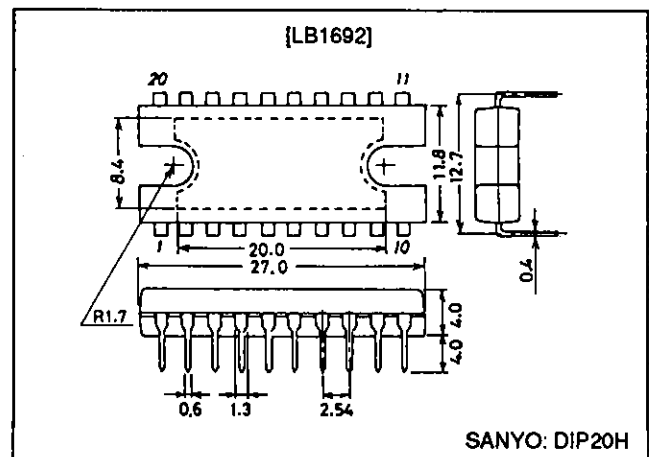
The LB1692 is a three-phase brushless motor driver IC. It is optimal for use with DC fan motors in equipment such as air conditioners or water heaters. The LB1692 is a high-breakdown voltage version of the LB1690.

Functions and Features

- Three-phase brushless motor driver
- 60 V breakdown voltage, 2.5 A output current
- Built-in current limiter
- Built-in low voltage protection circuit
- Built-in thermal protection circuit
- Built-in Hall amplifier with hysteresis
- FG output function

Package Dimensions

unit: mm

3037A-DIP20H**Specifications****Absolute Maximum Ratings at Ta = 25°C**

Parameter	Symbol	Conditions	Ratings	Unit
Maximum supply voltage	$V_{CC\ max}$		10	V
	$V_M\ max$		60	V
Output current	I_O		2.5	A
Allowable power dissipation	$P_d\ max1$	Independent IC	3	W
	$P_d\ max2$	With an arbitrarily large heat sink	20	W
Operating temperature	T_{opr}		-20 to +100	°C
Storage temperature	T_{sig}		-55 to +150	°C

Allowable Operating Ranges at Ta = 25°C

Parameter	Symbol	Ratings	Unit
Supply voltage range	V_{CC}	4.5 to 5.5	V
	V_M	5 to 56	V

SANYO Electric Co., Ltd. Semiconductor Business Headquarters

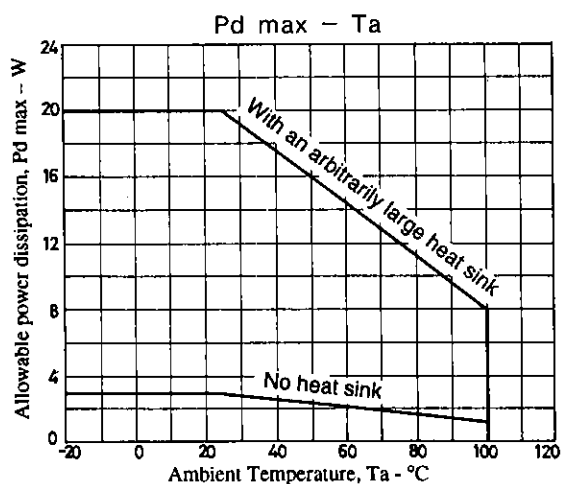
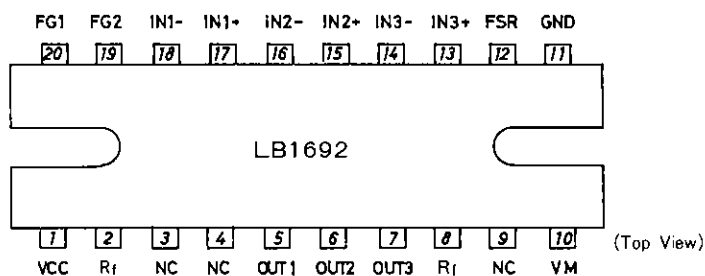
TOKYO OFFICE Tokyo Bldg., 1-10, 1 Chome, Ueno, Taito-ku, TOKYO, 110 JAPAN

LB1692

Electrical Characteristics at $T_a = 25^\circ\text{C}$, $V_{CC} = 5\text{ V}$, $V_M = 45\text{ V}$

Parameter	Symbol	Conditions	min	typ	max	Unit	
Current drain	I_{CC1}	When stopped		4	6	mA	
	I_{CC2}			10	15	mA	
Output saturation voltage	$V_{O\text{ sat1}}$	$I_O = 1\text{ A}$, V_O (sink) + V_O (source)		2.1	3.0	V	
	$V_{O\text{ sat2}}$	$I_O = 2\text{ A}$, V_O (sink) + V_O (source)		3.0	4.2	V	
Output leakage current	$I_O\text{ leak}$				100	μA	
[Hall amplifier]							
Input bias current	I_{HB}			1	4	μA	
Common mode input voltage range			1.5		3.2	V	
Hysteresis	ΔV_{IN}		23	30	37	mV	
Input voltage	V_{SLH}	L \rightarrow H	5	15	25	mV	
	V_{SHL}	H \rightarrow L	-25	-15	-5	mV	
[FG pin] (Speed pulse output)							
Output low level voltage	V_{FGL}	$I_{FG} = 5\text{ mA}$		0.16	0.4	V	
Pull-up resistance	R_{FG}		7.5	10	12.5	k Ω	
Forward, reverse, and stop operation	Forward	V_{FSR1}		0	0.8	V	
	Stop	V_{FSR2}		2.1	2.5	2.9	V
	Reverse	V_{FSR3}		4.2	5.0		V
Current control operation limiter	V_{RI}		0.42	0.5	0.6	V	
Thermal cutoff operating temperature	T_{SD}	Design target value	150	180		$^\circ\text{C}$	
Hysteresis	ΔT_{SD}			25		$^\circ\text{C}$	
Low voltage protection operating voltage	V_{LVSD}		3.5	3.8	4.1	V	
Hysteresis	ΔV_{LVSD}		0.2	0.3	0.4	V	

Pin Assignments



Truth Table

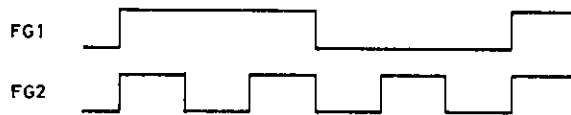
Item	Source → Sink	Input			Forward/Reverse Control FSR
		IN1	IN2	IN3	
1	OUT3 → OUT2	H	H	L	L
	OUT2 → OUT3				H
2	OUT3 → OUT1	H	L	L	L
	OUT1 → OUT3				H
3	OUT2 → OUT3	L	L	H	L
	OUT3 → OUT2				H
4	OUT1 → OUT2	L	H	L	L
	OUT2 → OUT1				H
5	OUT2 → OUT1	H	L	H	L
	OUT1 → OUT2				H
6	OUT1 → OUT3	L	H	H	L
	OUT3 → OUT1				H

FSR

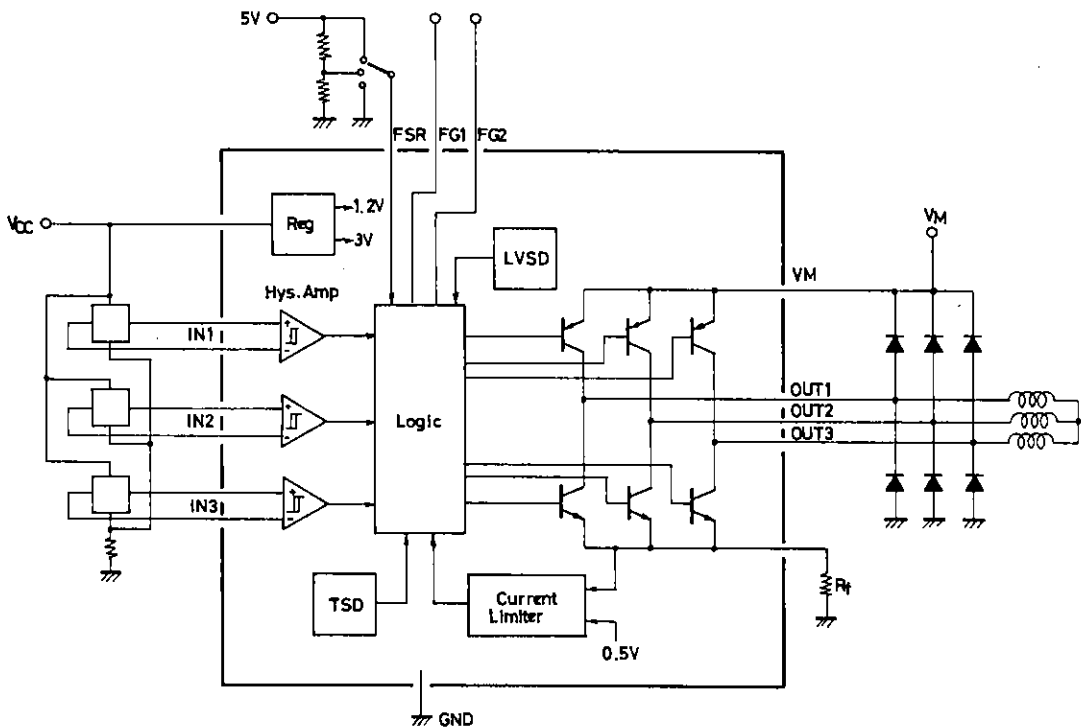
Forward: L (0 to 0.8 V)

Reverse: H (4.2 to 5.0 V)

FG Output



Block Diagram and Peripheral Circuits



Pin Functions

Pin	Pin No.	Function
IN1+, IN1- IN2+, IN2- IN3+, IN3-	17, 18 15, 16 13, 14	OUT1: A logic high level indicates that the Hall device input pins are in the state IN+ > IN-. OUT2: A logic high level indicates that the Hall device input pins are in the state IN+ > IN-. OUT3: A logic high level indicates that the Hall device input pins are in the state IN+ > IN-.
OUT1 OUT2 OUT3	5 6 7	Output pin 1 Output pin 2 Output pin 3
V _{CC}	1	Power supply for all sections other than the output block
V _M	10	Power supply that provides the output power
R _f	2, 8	Output current detection pin. The output current is converted to a voltage for detection by a resistor connected between this pin and GND.
GND	11	Ground for all sections other than the output block The R _f pin voltage will be the lowest output transistor potential.
FSR	12	Forward/stop/reverse control pin The voltage on this pin controls the IC forward, stop, or reverse operation. Forward: 0 to 0.8 V Stop: 2.1 to 2.9 V Reverse: 4.2 to 5.0 V
FG1 FG2	20 19	Speed pulse output pin 1. A pull-up resistor is built in. Speed pulse output pin 2. A pull-up resistor is built in.

1. Position Detection Circuit (Hall device input circuit)

The position detection circuit is a differential amplifier with hysteresis (typically 30 mV).

Voltages within the common mode input voltage range (1.5 V to V_{CC} - 1.8 V) should be used as the operating DC level.

We recommend using an input level that is more than three times the hysteresis, i.e., on the order of 120 to 160 mVp-p.

2. Current Control Circuit

Current control is performed by switching the sink side transistor from the saturated to the unsaturated range.

Therefore, it is possible for ASO to be a problem.

$$I = \frac{V_{Rf}}{R_f} \quad (A)$$

Therefore, if at all possible, applications should be designed so that the current limiter does not operate. Also, be especially careful to design applications so that the maximum output current (2.5 A) is not exceeded when the current limiter operates. Note that a current limiter must be added to the V_M power supply. (We recommend a current limiter with a short delay time and with a design current that is about 60 to 70% of the current control circuit's current value.)

3. Protection Circuits

• Low voltage protection circuit

The sink side output drivers are turned off if the V_{CC} pin voltage falls below the stipulated range. This circuit is provided to prevent incorrect operation.

• Thermal cutoff protection circuit

If the junction temperature exceeds the stipulated temperature range, the sink side output drivers are turned off. This is identical to the operation of the circuit described in 3-1 above.

4. V_M power supply minimum voltage

The V_M power supply voltage should be greater than or equal to the V_{CC} voltage.

$$V_M \geq V_{CC}$$

5. FG Output Circuit

The position detection inputs IN1, IN2, and IN3 are combined and the output is generated using waveform shaping.

The frequencies of those outputs are proportional to the rotational speed signal, and, as seen from the position detectors, are equal to the input frequency itself (FG1) and three times the input frequency (FG2).

- No products described or contained herein are intended for use in surgical implants, life-support systems, aerospace equipment, nuclear power control systems, vehicles, disaster/crime-prevention equipment and the like, the failure of which may directly or indirectly cause injury, death or property loss.
- Anyone purchasing any products described or contained herein for an above-mentioned use shall:
 - ① Accept full responsibility and indemnify and defend SANYO ELECTRIC CO., LTD., its affiliates, subsidiaries and distributors and all their officers and employees, jointly and severally, against any and all claims and litigation and all damages, cost and expenses associated with such use:
 - ② Not impose any responsibility for any fault or negligence which may be cited in any such claim or litigation on SANYO ELECTRIC CO., LTD., its affiliates, subsidiaries and distributors or any of their officers and employees jointly or severally.
- Information (including circuit diagrams and circuit parameters) herein is for example only; it is not guaranteed for volume production. SANYO believes information herein is accurate and reliable, but no guarantees are made or implied regarding its use or any infringements of intellectual property rights or other rights of third parties.