

**SANYO**

No. ※4854A

**LC89517K****Built-in Subcode Interface CD-ROM/CD-I  
Error Correction LSI****Preliminary****Overview**

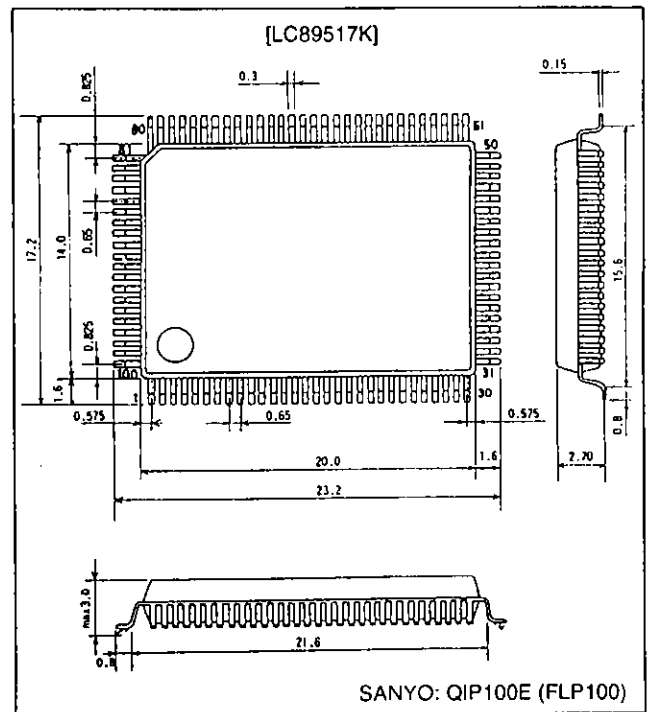
The LC89517K is a CD-ROM/CD-I error correction LSI that integrates the functions provided by the improved version of the LC89515 and a sub-code function in a single chip. The improved version of the LC89515 additionally supports double speed operation.

**Features**

- Support for double speed operation (selectable by setting an internal register) at an operating frequency of 16.9344 MHz
- Built-in 12-byte FIFO for transfers from the system microcontroller to the host computer
- Built-in 12-byte FIFO for transfers from the host computer to the system microcontroller
- Direct connection to the LC8955 (an ADPCM decoder LSI) and the LC8953 (a 68000 CPU peripheral interface LSI)
- Sub-code data can be written to buffer RAM simply by connecting the CD DSP sub-code pin. This allows the system microcontroller to read the sub-code values.
- The system microcontroller can access buffer RAM through the LC89517K.
- Pseudo-SRAM support (An interface circuit is built in.)

**Package Dimensions**

unit: mm

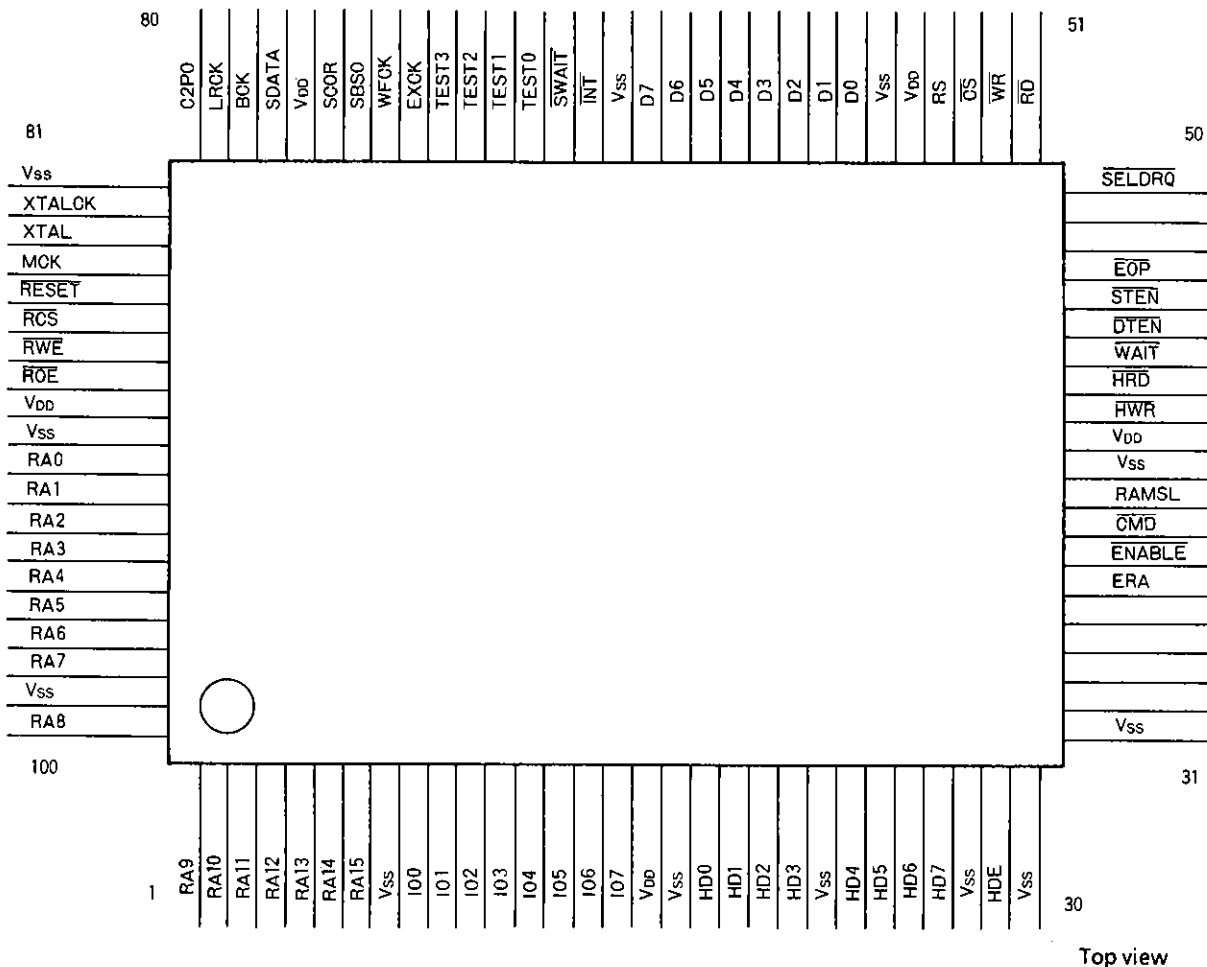
**3151-QIP100E (FLP100)**

- No products described or contained herein are intended for use in surgical implants, life-support systems, aerospace equipment, nuclear power control systems, vehicles, disaster/crime-prevention equipment and the like, the failure of which may directly or indirectly cause injury, death or property loss.
- Anyone purchasing any products described or contained herein for an above-mentioned use shall:
  - ① Accept full responsibility and indemnify and defend SANYO ELECTRIC CO., LTD., its affiliates, subsidiaries and distributors and all their officers and employees, jointly and severally, against any and all claims and litigation and all damages, cost and expenses associated with such use;
  - ② Not impose any responsibility for any fault or negligence which may be cited in any such claim or litigation on SANYO ELECTRIC CO., LTD., its affiliates, subsidiaries and distributors or any of their officers and employees jointly or severally.
- Information (including circuit diagrams and circuit parameters) herein is for example only; it is not guaranteed for volume production. SANYO believes information herein is accurate and reliable, but no guarantees are made or implied regarding its use or any infringements of intellectual property rights or other rights of third parties.

**SANYO Electric Co., Ltd. Semiconductor Business Headquarters**

TOKYO OFFICE Tokyo Bldg., 1-10, 1 Chome, Ueno, Taito-ku, TOKYO, 110 JAPAN

Pin Assignment



## Pin Functions

Type: I: Input pin, O: Output pin, B: Bidirectional pin, P: Power supply pin, NC: Unconnected pin

Pin No.	Pin	Type	Function
1	RA9	O	Data buffer RAM address signal outputs
2	RA10	O	
3	RA11	O	
4	RA12	O	
5	RA13	O	
6	RA14	O	
7	RA15	O	
8	V <sub>SS</sub>	P	
9	IO0	B	Data buffer RAM data signals
10	IO1	B	These pins have built-in pull-up resistors.
11	IO2	B	
12	IO3	B	
13	IO4	B	
14	IO5	B	
15	IO6	B	Data buffer RAM data signals
16	IO7	B	These pins have built-in pull-up resistors.
17	V <sub>DD</sub>	P	
18	V <sub>SS</sub>	P	
19	HD0	B	Host data signals These pins have built-in pull-up resistors.
20	HD1	B	
21	HD2	B	
22	HD3	B	
23	V <sub>SS</sub>	P	
24	HD4	B	Host data signals These pins have built-in pull-up resistors
25	HD5	B	
26	HD6	B	
27	HD7	B	
28	V <sub>SS</sub>	P	
29	HDE	O	Host erasure flag output (Connect to V <sub>DD</sub> if unused.)
30	V <sub>SS</sub>	P	
31	V <sub>SS</sub>	P	
32		NC	
33		NC	
34		NC	
35		NC	
36	ERA	B	Data buffer RAM erasure flag signal (Connect to V <sub>SS</sub> if unused.)
37	ENABLE	I	Chip select signal input (from host computer)
38	CMD	I	Host command/data selection signal
39	RAMSL	I	DRAM/SRAM switch
40	V <sub>SS</sub>	P	
41	V <sub>DD</sub>	P	
42	HWR	I	Host data write signal input
43	HRD	I	Host data read signal input
44	WAIT	O	Wait signal output (to host). This pin can be switched to function as the DRQ signal.
45	DTEN	O	Data enable signal output
46	STEN	O	Status enable signal output
47	EOP	O	End of process signal output. Used during DMA transfers.
48		NC	
49		NC	
50	SELDRQ	I	Selects the mode for data transfers to the host.

Continued on next page.

LC89517K

Continued from preceding page.

Pin No.	Pin	Type	Function
51	$\overline{RD}$	I	Microcontroller data read signal input
52	$\overline{WR}$	I	Microcontroller data write signal input
53	$\overline{CS}$	I	Chip select signal input (from microcontroller)
54	RS	I	Register selection signal
55	V <sub>DD</sub>	P	
56	V <sub>SS</sub>	P	
57	D0	B	Microcontroller data signals. These pins have built-in pull-up resistors.
58	D1	B	
59	D2	B	
60	D3	B	
61	D4	B	
62	D5	B	
63	D6	B	
64	D7	B	
65	V <sub>SS</sub>	P	
66	$\overline{INT}$	O	Interrupt request signal output (to the microcontroller) This pin is an open drain output with a built-in pull-up resistor.
67	SWAIT	O	System microcontroller wait signal
68	TEST0	I	Test inputs. These pins should be tied low during normal operation.
69	TEST1	I	
70	TEST2	I	
71	TEST3	I	
72	EXCK	O	Sub-code I/O
73	WFCK	I	
74	SBSO	I	
75	SCOR	I	
76	V <sub>DD</sub>	P	
77	SDATA	I	Serial data input
78	BCK	I	Serial data input clock
79	LRCK	I	44.1 kHz strobe signal input
80	C2PO	I	C2 pointer input
81	V <sub>SS</sub>	P	
82	XTALCK	I	Crystal oscillator input
83	XTAL	O	Crystal oscillator output
84	MCK	O	Outputs the XTALCK input signal divided by 2.
85	$\overline{RESET}$	I	Chip select signal input
86	$\overline{RCS}$	O	RAM chip select
87	$\overline{RWE}$	O	RAM data write signal
88	$\overline{ROE}$	O	RAM data read signal
89	V <sub>DD</sub>	P	
90	V <sub>SS</sub>	P	
91	RA0	O	Data buffer RAM address signal outputs
92	RA1	O	
93	RA2	O	
94	RA3	O	
95	RA4	O	
96	RA5	O	
97	RA6	O	
98	RA7	O	
99	V <sub>SS</sub>	P	
100	RA8	O	Data buffer RAM address signal output

## Specifications

### Absolute Maximum Ratings at $V_{SS} = 0\text{ V}$

Parameter	Symbol	Conditions	Ratings	Unit
Maximum supply voltage	$V_{DD\text{ max}}$	$T_a = 25^\circ\text{C}$	-0.3 to +7.0	V
I/O voltage	$V_I, V_O$	$T_a = 25^\circ\text{C}$	-0.3 to $V_{DD} + 0.3$	V
Allowable power dissipation	$P_d\text{ max}$	$T_a \leq 70^\circ\text{C}$	350	mW
Operating temperature	$T_{opr}$		-30 to +70	$^\circ\text{C}$
Storage temperature	$T_{stg}$		-55 to +125	$^\circ\text{C}$
Soldering temperature		10 seconds	260	$^\circ\text{C}$

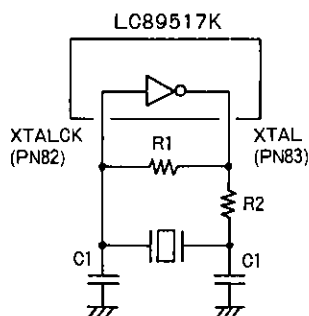
### Allowable Operating Ranges at $T_a = -30\text{ to }+70^\circ\text{C}$ , $V_{SS} = 0\text{ V}$

Parameter	Symbol	Conditions	min	typ	max	Unit
Supply voltage	$V_{DD}$		3.5	5.0	5.5	V
Input voltage range	$V_{IN}$		0		$V_{DD}$	V

### DC Characteristics at $T_a = -30\text{ to }+70^\circ\text{C}$ , $V_{SS} = 0\text{ V}$ , $V_{DD} = 3.5\text{ to }5.5\text{ V}$

Parameter	Symbol	Conditions	min	typ	max	Unit
Input high level voltage	$V_{IH1}$	All input pins other than (1) and XTALCK	2.2			V
Input low level voltage	$V_{IL1}$				0.8	V
Input high level voltage	$V_{IH2}$	RESET, all bus pins (HRD, HWR, ENABLE, CMD, RD, CS, WR, WFCK, SBSO, SCOR) (1)	2.5			V
Input low level voltage	$V_{IL2}$				0.6	V
Output high level voltage	$V_{OH1}$	$I_{OH1} = -2\text{ mA}$ : All output pins (including bus pins) other than (2) and XTALCK	2.4			V
Output low level voltage	$V_{OL1}$	$I_{OL1} = 2\text{ mA}$ : All output pins (including bus pins) other than (2) and XTALCK			0.4	V
Output low level voltage	$V_{OL2}$	$I_{OL2} = 2\text{ mA}$ : INT (open drain circuit with pull-up resistor) (2)			0.4	V
Output high level voltage	$V_{OH3}$	$I_{OH3} = -6\text{ mA}$ : HD0 to HD7	2.4			V
Output low level voltage	$V_{OL3}$	$I_{OL3} = 6\text{ mA}$ : HD0 to HD7			0.4	V
Input leakage current	$I_L$	$V_I = V_{SS}, V_{DD}$ : All input pins	-25		+25	$\mu\text{A}$
Pull-up resistance	$R_{UP}$	All bus pins, INT	10	20	40	$\text{k}\Omega$

### Sample Recommended Oscillator Circuit



$R1 = 120\text{ k}\Omega$   
 $R2 = 47\ \Omega$   
 $C1 = 30\text{ pF}$   
 Crystal oscillator frequency = 16.9344 MHz