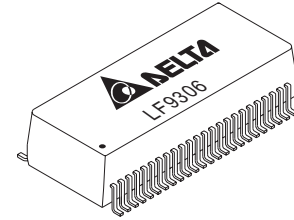




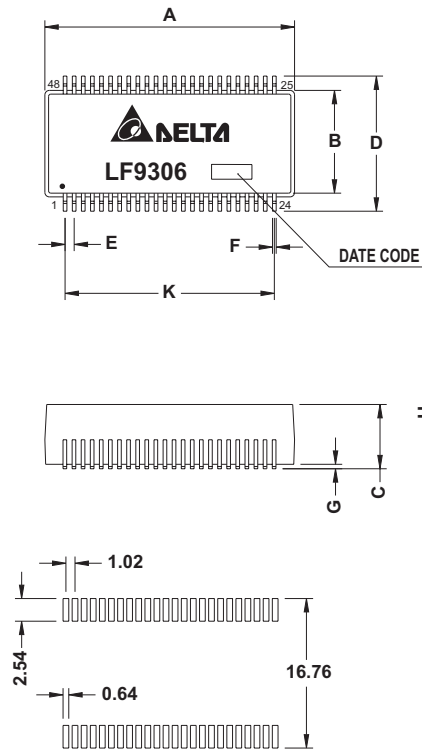
Networking Components



ELECTRICAL CHARACTERISTICS @25°C

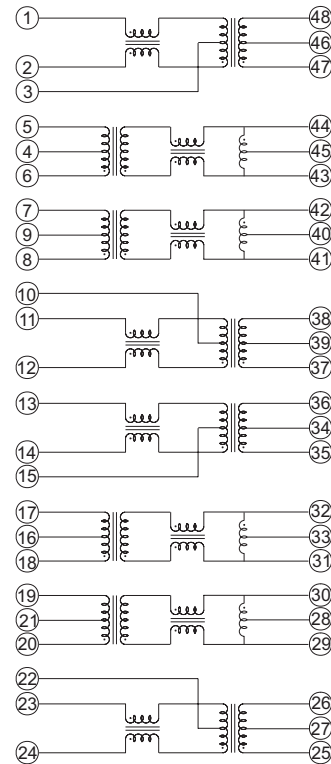
Rise Time & Fall Time @5.0ns (Max), Hi-Pot Test @60Sec, 1500Vrms, OCL @8mA DC Bias 350uH (Min)											
Model	Insertion Loss (dB Max)	Return Loss (dB Min)				Cross Talk (dB Min)		Diff. To Com. Mode Rejection (dB Min)			Turns Ratio TX/RX (± 5%)
		1-100	1-30	40	50	60-80	60	100	30	60	
	MHz	MHz				MHz		MHz			MHz
LF9306	-1.2	-16	-14	-13	-12	-40	-35	-43	-37	-33	1:1 / 1:1

MECHANICAL CONSTRUCTION



UNIT : mm / inch
 A = 27.81 ± 0.254 / 1.095 ± 0.010
 B = 12.20 ± 0.254 / 0.480 ± 0.010
 C = 7.24 ± 0.254 / 0.285 ± 0.010
 D = 15.24 ± 0.254 / 0.600 ± 0.010
 E = 1.02 / 0.040 (TYP)
 F = 0.41 ± 0.127 / 0.016 ± 0.005
 G = 0.254 ± 0.127 / 0.010 ± 0.005
 H = 0.254 / 0.010 (TYP)
 I = 0.69 ± 0.254 / 0.027 ± 0.010
 J = 0°~8°
 K = 23.46 / 0.924 (TYP)

SCHEMATICS



DELTA ELECTRONICS, INC.

(TAOYUAN PLANT CPBG) 252, SAN YING ROAD, KUEI SAN INDUSTRIAL ZONE, TAOYUAN SHIEN, TAIWAN, R.O.C.
 TEL: 886-3-3591968; FAX: 886-3-3591991
 Http://www.deltaww.com/products/networking