

LM1525A/LM3525A/LM1527A/LM3527A Pulse Width Modulator

General Description

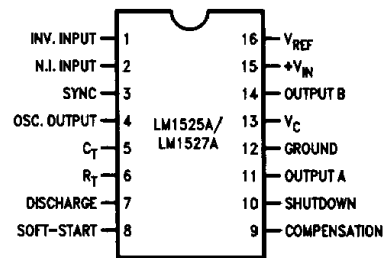
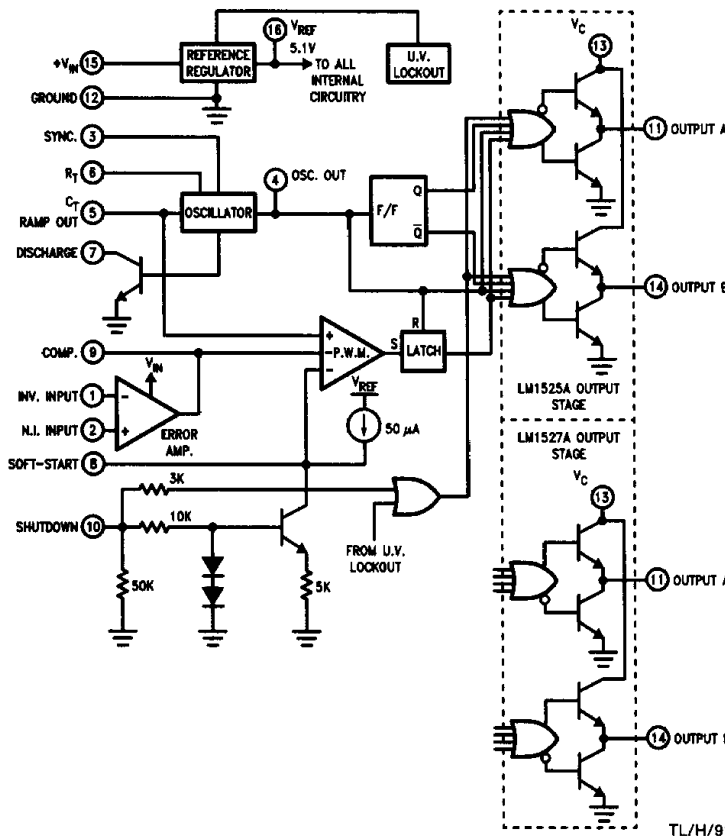
The LM1525A/1527A series of pulse-width-modulator integrated circuits are designed to offer improved performance and lowered external parts count when used to implement all types of switching power supplies. The on-chip +5.1V reference is trimmed to $\pm 1\%$ initial accuracy, and the input common mode range of the error amplifier includes the reference voltage, eliminating external potentiometers and dividers. A Sync input to the oscillator permits multiple devices to be slaved together, or a single device to be synchronized to an external system clock. A single resistor between the C_T pin and the Discharge pin provides a wide range of deadtime adjustment. These devices also feature built-in soft-start circuitry with only a timing capacitor required externally. A Shutdown pin controls both the soft-start circuitry and the output stages, providing instantaneous turn-off with soft-start recycle for slow turn-on. These functions are also controlled by an undervoltage lockout which keeps the outputs off and the soft-start capacitor discharged for input voltages less than that required for normal operation. The undervoltage lockout circuitry features approximately 200 mV of hysteresis to prevent threshold oscillations. Another unique feature of these improved PWM in-

tegrated circuits is the latch following the comparator (thus preventing double-pulsing). Once a PWM pulse has been terminated for any reason, the outputs will remain OFF for the duration of that period. The latch is reset with each clock pulse. The output stages are totem-pole designs capable of sourcing or sinking more than 200 mA. The LM1525A output stage features NOR logic, resulting in LOW outputs for an OFF stage. The LM1527A uses OR logic which results in HIGH outputs when OFF.

Features

- 8 to 35V operation
- 5.1V reference trimmed to $\pm 1\%$
- 100 Hz to 500 kHz oscillator range
- Separate oscillator sync terminal
- Adjustable deadtime control
- Internal soft-start
- Input undervoltage lockout with hysteresis
- Latching P.W.M. to prevent multiple pulses
- Dual source/sink output drivers

Block & Connection Diagrams



TL/H/9112-2

Top View

Order Number LM1525AJ,
LM3525AJ, LM1527AJ, LM3527AJ,
LM3525AN or LM3527AN
See NS Package Number
J16A or N16A

Absolute Maximum Ratings (Note 7)

If Military/Aerospace specified devices are required, please contact the National Semiconductor Sales Office/Distributors for availability and specifications.

| | |
|---|---------------------------|
| Input Voltage (Pins 13, and 15) | -0.3V to +40V |
| Reference Output Current (Pin 16) | 50 mA DC |
| Reference Output Short Circuit | 5 Seconds |
| Output Current (Pins 11, 14) | ±200 mA |
| Oscillator Current (Pins 5, 6, 7) (Note 8) | 5 mA DC |
| Op Amp Inputs: V_{CM} (Pins 1, 2) V_{DIFF} | -0.3V to $+V_{in}$ ±6V |
| Logic Inputs | -0.3V to +5.5V |

| | |
|---|-----------------|
| Storage Temperature | -65°C to +150°C |
| Operating Temperature Range ($T_{min} \leq T_j \leq T_{max}$) | |
| LM1525A, LM1527A | -55°C to +150°C |
| LM3525A, LM3527A | 0°C to +150°C |
| Lead Temperature (Soldering, 4 Seconds) | |
| J Package | +300°C |
| N Package | +260°C |
| Power Dissipation (Note 9) | 1 Watt |
| ESD Tolerance | |
| Czap = 100 pF, Rzap = 1.5k | 2000V |

Electrical Characteristics

$V_{in} = 20 V_{dc}$, **Boldface** limits apply from T_{MIN} to T_{MAX} (Note 1), all other limits $T_j = 25^\circ\text{C}$ unless otherwise noted

| Parameter | Conditions | LM1525A LM1527A | | | LM3525A LM3527A | | | Units |
|---|---|--------------------|----------------------------|--------------------------|--------------------|--------------------------|----------------------------|--|
| | | Typical | Tested Limit (Note 2) | Design Limit (Note 3) | Typical | Tested Limit (Note 2) | Design Limit (Note 3) | |
| REFERENCE SECTION | | | | | | | | |
| Reference Voltage Output | $T_j = 25^\circ\text{C}$ | 5.10 | 5.05 5.15 | | 5.10 | 5.00 5.20 | | V_{min} V_{max} |
| Line Regulation | $+8.0V \leq V_{in} \leq +35V$ | 10 | 20 | | 10 | 15 | 20 | mV _{max} |
| Load Regulation | $0 \text{ mA} \leq I_L \leq 20 \text{ mA}$ | 20 | 50 | | 20 | 20 | 50 | mV _{max} |
| Temperature Stability | | 20 | | 50 | 20 | | 50 | mV _{max} |
| Reference Voltage Output | $+8.0V \leq V_{in} \leq +35V$ $0 \text{ mA} \leq I_L \leq 20 \text{ mA}$ And Over Operating Temp. | 5.08 | 5.20 5.00 | | 5.08 | | 5.25 4.95 | V_{max} V_{min} |
| Short Circuit Current | $T_j = 25^\circ\text{C}$ $V_{ref} = 0V$ | 70 | 100 | | 70 | 100 | | mA _{max} |
| Output Noise Voltage | $10 \text{ Hz} \leq f \leq 10 \text{ kHz}$ $T_j = 25^\circ\text{C}$ | 40 | | 200 | 40 | | 200 | μV_{rms} max |
| Long Term Stability | $T_j = 125^\circ\text{C}$ | 20 | | 50 | 20 | | 50 | mV/KHour |
| OSCILLATOR SECTION (Note 4) Unless otherwise specified | | | | | | | | |
| Initial Accuracy | $T_j = 25^\circ\text{C}$ | ±2 | ±6 | | ±2 | ±6 | | % |
| Accuracy of Freq. vs. Temp. | | ±3 | ±8 | | ±3 | | ±10 | % |
| Voltage Stability | $8.0V \leq V_{in} \leq 35V$ | ±0.3 | ±1 | | ±0.3 | ±2 | ±2 | % |
| Temperature Stability | $\Delta F_{osc}/F_{osc}$ | ±3 | | ±6 | ±3 | | ±6 | % |
| Minimum Frequency | $R_T = 300 \text{ k}\Omega$, $C_T = 0.1 \mu\text{F}$, $R_D = 0$ (Note 5) | 70 | 100 | | 70 | 90 | 100 | Hz max |
| Maximum Frequency | $R_T = 2.0 \text{ k}\Omega$, $C_T = 1 \text{ nF}$, $R_D = 0$ | 450 | 400 | | 450 | 430 | 400 | kHz min |
| Current Mirror $I_{pin 5}$ | $I_{RT} = 2.0 \text{ mA}$ | 2.0 | 1.7 2.2 | | 2.0 | 1.8 2.1 | 1.7 2.2 | mA _{min} mA _{max} |
| Clock Amplitude | At pin 4 | 3.5 | | 3.0 | 3.5 | | 3.0 | V_{min} |
| Clock Width | $T_j = 25^\circ\text{C}$ | 0.5 | | 1.0 0.3 | 0.5 | | 1.0 0.3 | μs max μs min |
| Sync Threshold | (Note 6) | 1.8 | 1.2 2.8 | | 1.8 | 1.25 2.8 | 1.2 2.8 | V min V max |
| Sync Input Current | Sync Voltage = 3.5V | 1.0 | 2.5 | | 1.0 | 2.30 | 2.5 | mA _{max} |

Electrical Characteristics

$V_{in} = 20 V_{dc}$. **Boldface** limits apply from T_{MIN} to T_{MAX} (Note 1), all other limits $T_j = 25^\circ C$ unless otherwise noted (Continued)

| Parameter | Conditions | LM1525A LM1527A | | | LM3525A LM3527A | | | Units |
|--|---|--------------------|-----------------------------|-----------------------------|--------------------|-----------------------------|-----------------------------|--------------------------------|
| | | Typical | Tested Limit (Note 2) | Design Limit (Note 3) | Typical | Tested Limit (Note 2) | Design Limit (Note 3) | |
| ERROR AMPLIFIER SECTION $V_{CM} = 5.1V$, Unless otherwise noted | | | | | | | | |
| Input Offset Voltage | | 0.5 | 5 | | 2 | 7 | 10 | mV_{max} |
| Input Bias Current | | 1 | 10 | | 1 | 2 | 10 | μA_{max} |
| Input Offset Current | | 0.1 | 1 | | 0.1 | 0.8 | 1 | μA_{max} |
| DC Open Loop Gain | $R_L \geq 10 M\Omega$ | 80 | 66 | | 80 | 66 | 60 | dB min |
| Gain Bandwidth Product | $A_V = 0, T_j = 25^\circ C$ $C_L \leq 30 pF$ | 2 | | 1 | 2 | | 1 | MHz _{min} |
| Output Low Level | | 0.2 | 0.5 | | 0.2 | 0.4 | 0.5 | V_{max} |
| Output High Level | | 5.6 | 3.8 | | 5.6 | 4.1 | 3.8 | V_{min} |
| Common Mode Rejection | $V_{CM} = 1.5V$ to $5.2V$ | 80 | 66 | | 80 | 70 | 66 | dB min |
| Supply Voltage Rejection | $V_{IN} = 8V$ to $35V$ | 90 | 60 | | 90 | 64 | 60 | dB min |
| P.W.M. COMPARATOR | | | | | | | | |
| Minimum Duty Cycle | | | 0 | | | 0 | 0 | % max |
| Maximum Duty Cycle | | 49 | 45 | | 49 | 46 | 45 | % min |
| Input Threshold | Zero Duty Cycle | 0.9 | 0.6 | | 0.9 | 0.70 | 0.6 | V_{min} |
| Input Threshold | Max. Duty Cycle | 3.3 | 3.6 | | 3.3 | 3.6 | 3.6 | V_{max} |
| Input Bias Current | | 0.05 | | 1.0 | 0.05 | | 1.0 | μA_{max} |
| SOFT-START SECTION | | | | | | | | |
| Soft Start Current | $V_{SHUTDOWN} = 0V$ | 50 | 80 25 | | 50 | 74 36 | 80 25 | μA_{max} μA_{min} |
| Soft Start Voltage | $V_{SHUTDOWN} = 2.0V$ | 0.35 | 0.6 | | 0.35 | 0.5 | 0.6 | V_{max} |
| Shutdown Input Current | $V_{SHUTDOWN} = 2.5V$ | 0.4 | 1.0 | | 0.4 | 0.85 | 1.0 | mA_{max} |
| OUTPUT DRIVERS (Each Output) $V_C = 20V$, Unless otherwise noted | | | | | | | | |
| Undervoltage Lockout Hysteresis | | 0.2 | | | 0.2 | | | V |
| Output Low Level | $I_{SINK} = 20 mA$ | 0.2 | 0.4 | | 0.2 | 0.35 | 0.4 | V_{max} |
| | $I_{SINK} = 100 mA$ | 1.0 | 2.0 | | 1.0 | 1.9 | 2.0 | V_{max} |
| Output High Level | $I_{SOURCE} = 20 mA$ | 19 | 18 | | 19 | 18.2 | 18 | V_{min} |
| | $I_{SOURCE} = 100 mA$ | 18 | 17 | | 18 | 17.4 | 17 | V_{min} |
| Undervoltage Lockout | V_{COMP} and $V_{SS} = High$ | 7 | 8 | | 7 | 7.7 | 8 | V_{max} |
| | | | 6 | | | 6.3 | 6 | V_{min} |
| Collector Leakage | LM1525A and LM3525A Only $V_C = 35V$ | | 200 | | | 120 | 200 | μA_{max} |
| Rise Time | $C_L = 1 nf, T_j = 25^\circ C$ | 100 | | 600 | 100 | | 600 | ns max |
| Fall Time | $C_L = 1 nf, T_j = 25^\circ C$ | 50 | | 300 | 50 | | 300 | ns max |

Electrical Characteristics

$V_{in} = 20 V_{dc}$, **Boldface** limits apply from T_{MIN} to T_{MAX} (Note 1), all other limits $T_j = 25^\circ C$ unless otherwise noted (Continued)

| Parameter | Conditions | LM1525A LM1527A | | | LM3525A LM3527A | | | Units |
|------------------------------|---|--------------------|--------------------------|--------------------------|--------------------|--------------------------|--------------------------|--------|
| | | Typical | Tested Limit (Note 2) | Design Limit (Note 3) | Typical | Tested Limit (Note 2) | Design Limit (Note 3) | |
| Shutdown Delay | $V_{SD} = 3V, C_L = 0,$ $T_j = 25^\circ C$ | 200 | | 500 | 200 | | 500 | ns max |
| TOTAL STANDBY CURRENT | | | | | | | | |
| Supply Current | $V_{IN} = 35V$ | 13 | 18 | | 13 | 14.5 | 20 | mA |

Note 1: Unless otherwise noted these specifications apply: $-55^\circ C < T_j < +125^\circ C$ for LM1525A and LM1527A, $0^\circ C < T_j < +125^\circ C$ for LM3525A and LM3527A.

Note 2: Tested limits are guaranteed and 100% tested in production.

Note 3: Design limits are guaranteed (but not 100% production tested) over the indicated temperature and supply ranges.

Note 4: Tested at $F_{osc} = 40$ kHz ($R_t = 3.6k, C_t = 0.01 \mu F, R_d = 0$).

Note 5: These specifications are also guaranteed with $R_t = 150k, C_t = 0.2 \mu F, R_d = 0$.

Note 6: Tested with a pulse of width 500 ns and amplitudes of 1.2 and 2.8V at 50 kHz.

Note 7: Absolute Maximum Ratings indicate limits beyond which damage to the device may occur. DC and AC electrical specifications do not apply when operating the device beyond its rated operating conditions. See Note 1 and conditions.

Note 8: Do not ground pin 6.

Note 9: For operation at elevated temperatures, devices in the J package must be derated based on thermal resistance of $90^\circ C/W$ (junction to ambient), or $85^\circ C/W$ in the N package.

SHUTDOWN OPTIONS (See Block Diagram)

1. Since both the compensation and soft-start terminals (pins 9 and 8) have current source pull-ups, either can readily accept a pull-down signal which only has to sink a maximum of $100 \mu A$ to turn off the outputs. This is subject to the added requirement of discharging whatever external capacitance may be attached to these pins.
2. An alternative approach is the use of the shutdown circuitry of pin 10. Activating this circuit by applying a positive-going pulse at pin 10 will result in the output of the comparator going high, and thus turning off the outputs. The pulse will start the fast discharge of the soft-start capacitor. If the shutdown command is short, the PWM signal is terminated without significant discharge of the soft-start capacitor, thus allowing, for example, a convenient implementation of pulse-by-pulse current limiting.

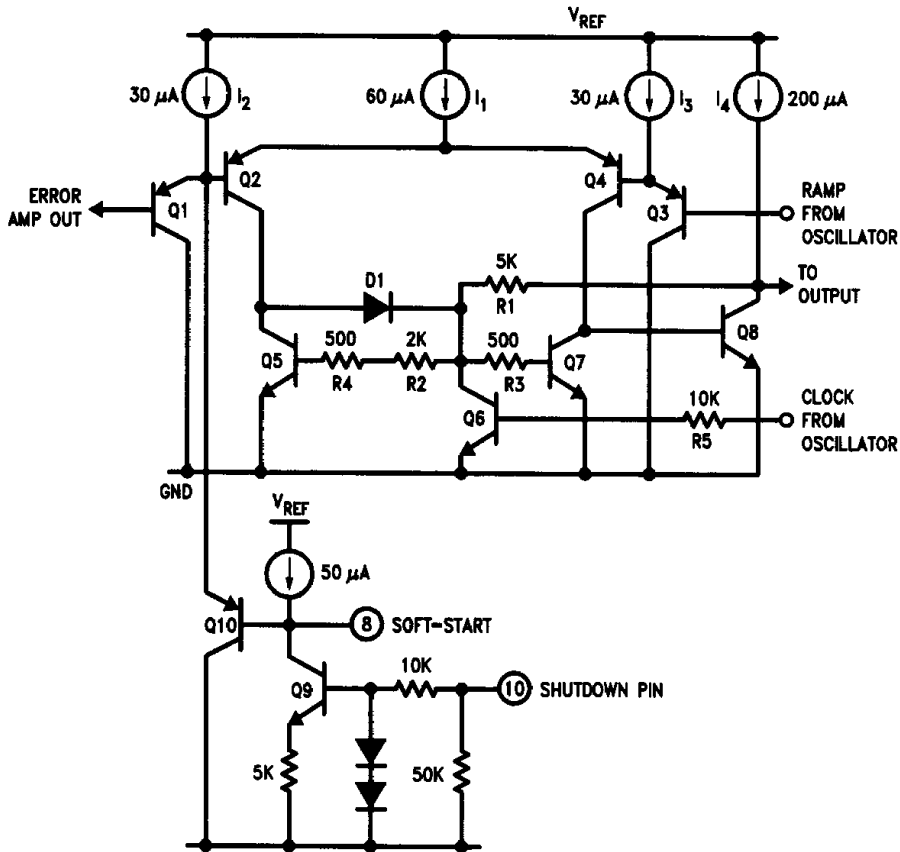
Holding pin 10 high for a long time will ultimately discharge the soft-start capacitor, thus recycling slow turn on upon release. This method of shutdown is the fastest shutdown possible.

SYNCHRONIZATION PROCEDURE

The device may be synchronized to an external clock; however the following points have to be observed: a) The frequency of the free-running oscillator of the device must be set at least 10% less than the frequency of the external clock. b) The external clock pulse must be at least 300 ns wide but must not exceed the free-running pulse width (pin 4) by more than 200 ns. c) The amplitude of the external pulse must be between 2 and 5V.

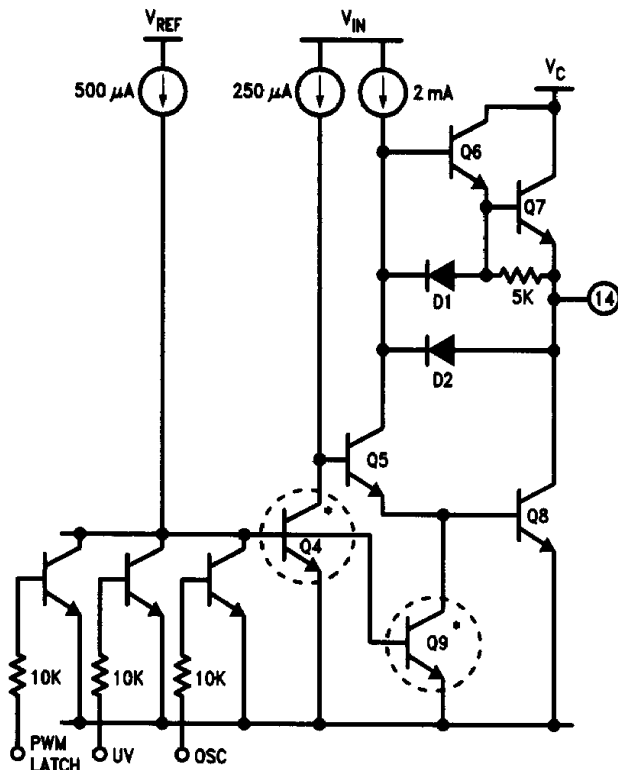
Multiple devices may be synchronized together by connecting all pin 4's together and all pin 5's together; pins 6 and 7 of slave oscillator must be left open.

LM1525A Comparator



TL/H/9112-3

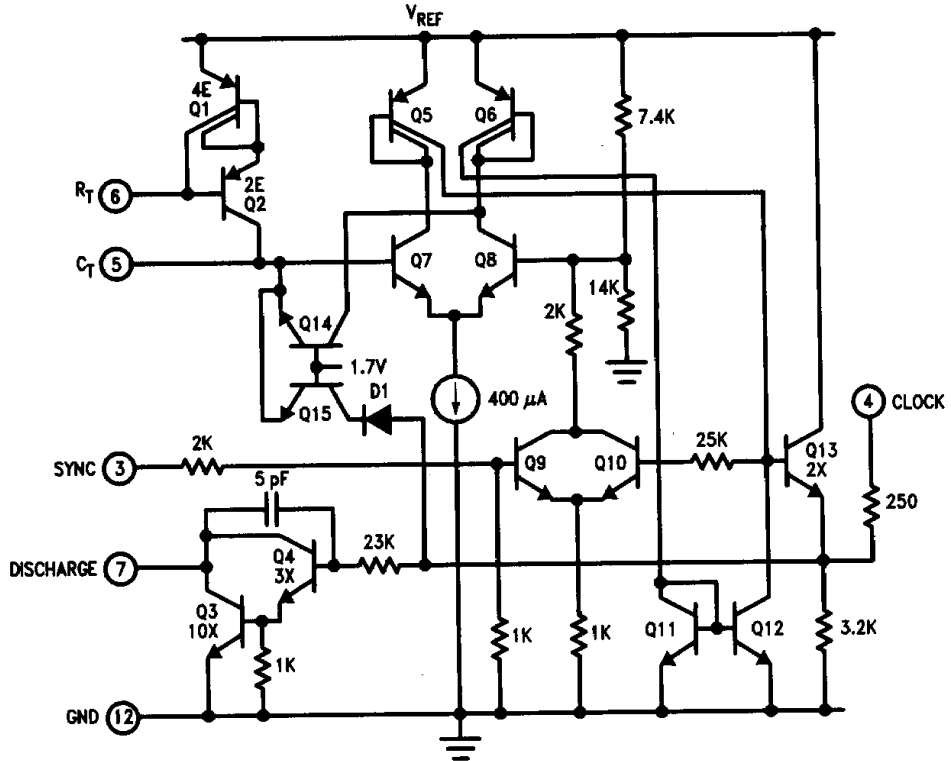
LM1525A Output Section



*Q4 omitted in LM1527A.
Q9 replaced by a 2K resistor in LM1527A.

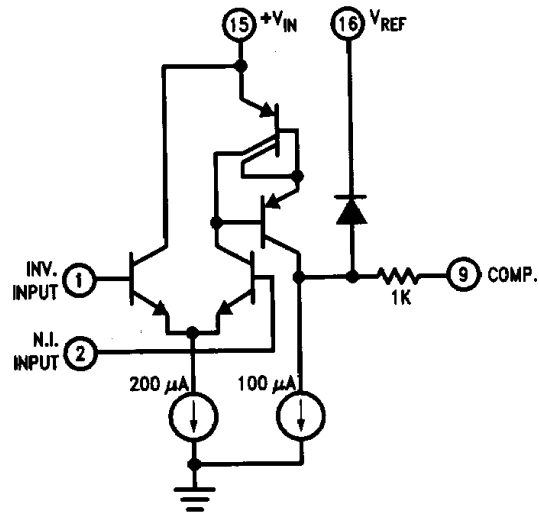
TL/H/9112-6

LM1525A Oscillator

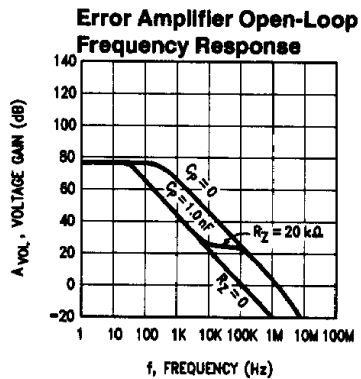
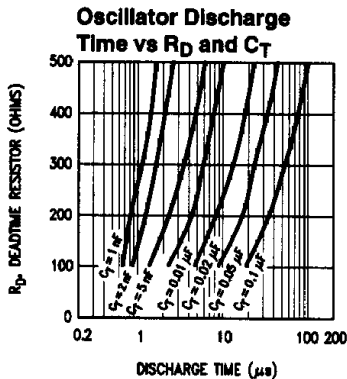
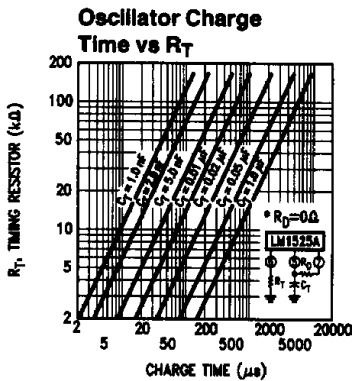
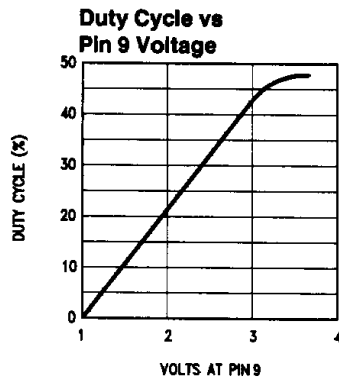
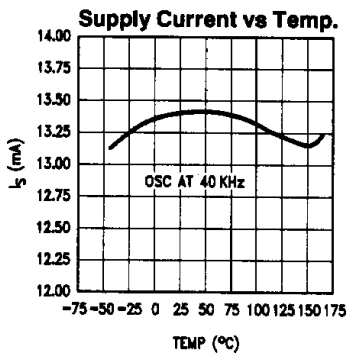
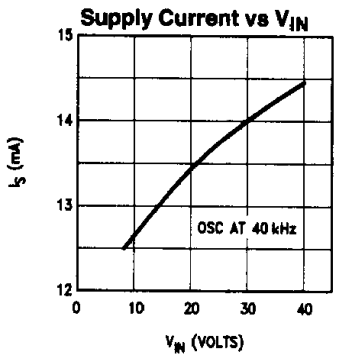
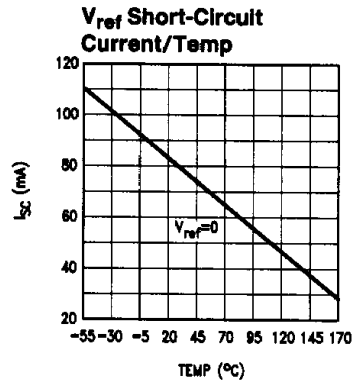
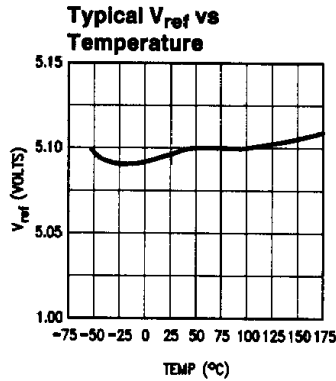
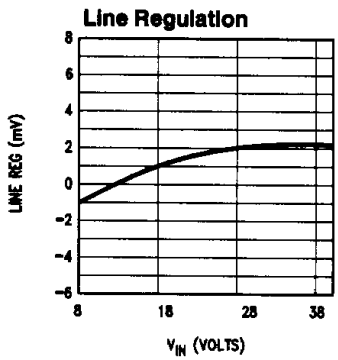
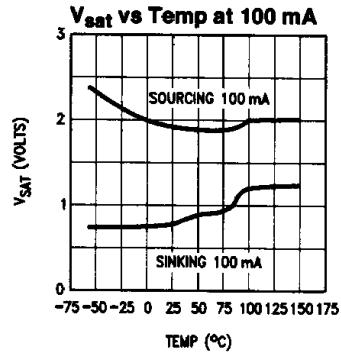
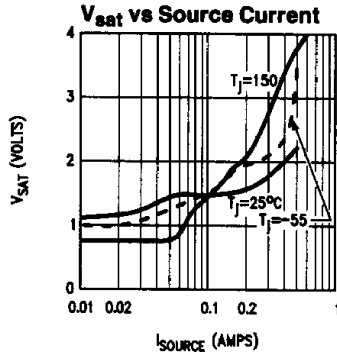
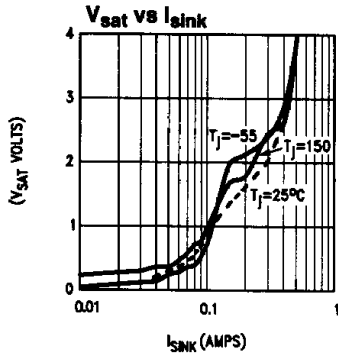


TL/H/9112-5

LM1525A Error Amplifier

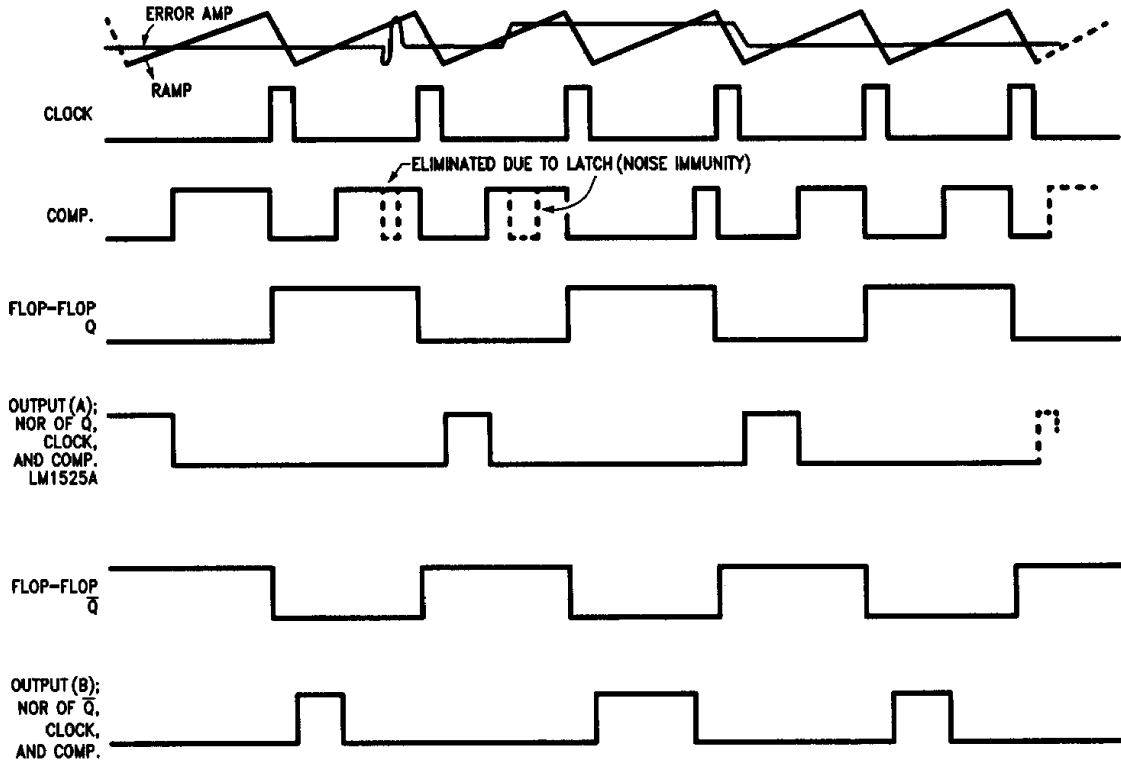


TL/H/9112-4



TL/H/9112-14

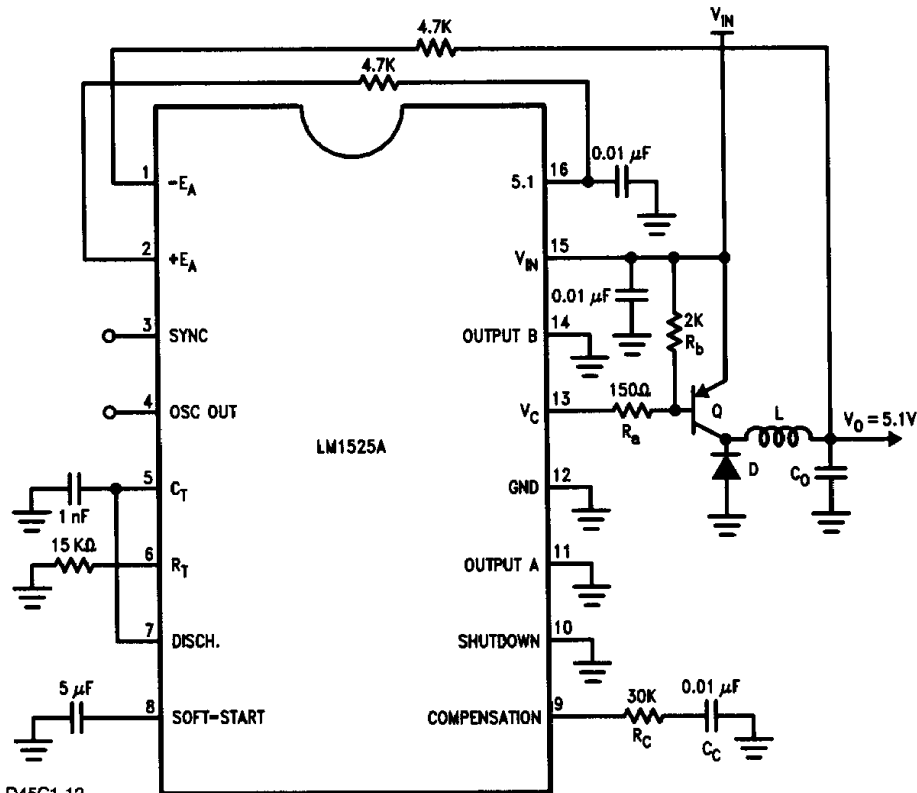
LM1525A Typical Timing Diagram



TL/H/9112-7

Typical Applications

5 Watt Single Ended Step Down Converter

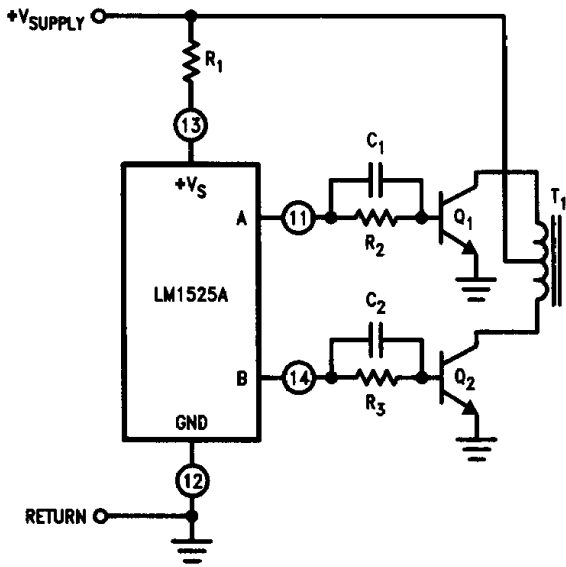


$V_{IN} = 28V$ Q = D45C1-12
 $V_{OUT} = 5.1V$ D = IN5821
 L = 150 μH
 $C_O = 500 \mu F$

TL/H/9112-8

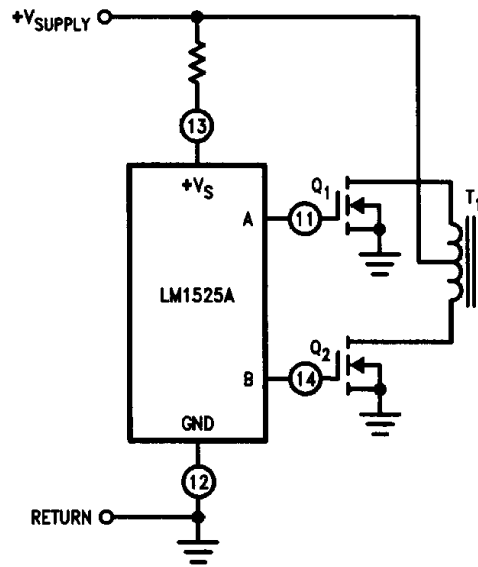
Typical Applications (Continued)

Bipolar Drive for Push-Pull Converters



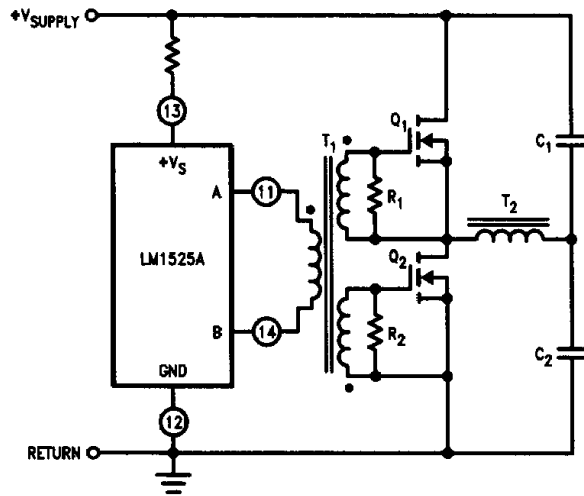
TL/H/9112-9

3 MOSFET Drive for Push-Pull Converters



TL/H/9112-10

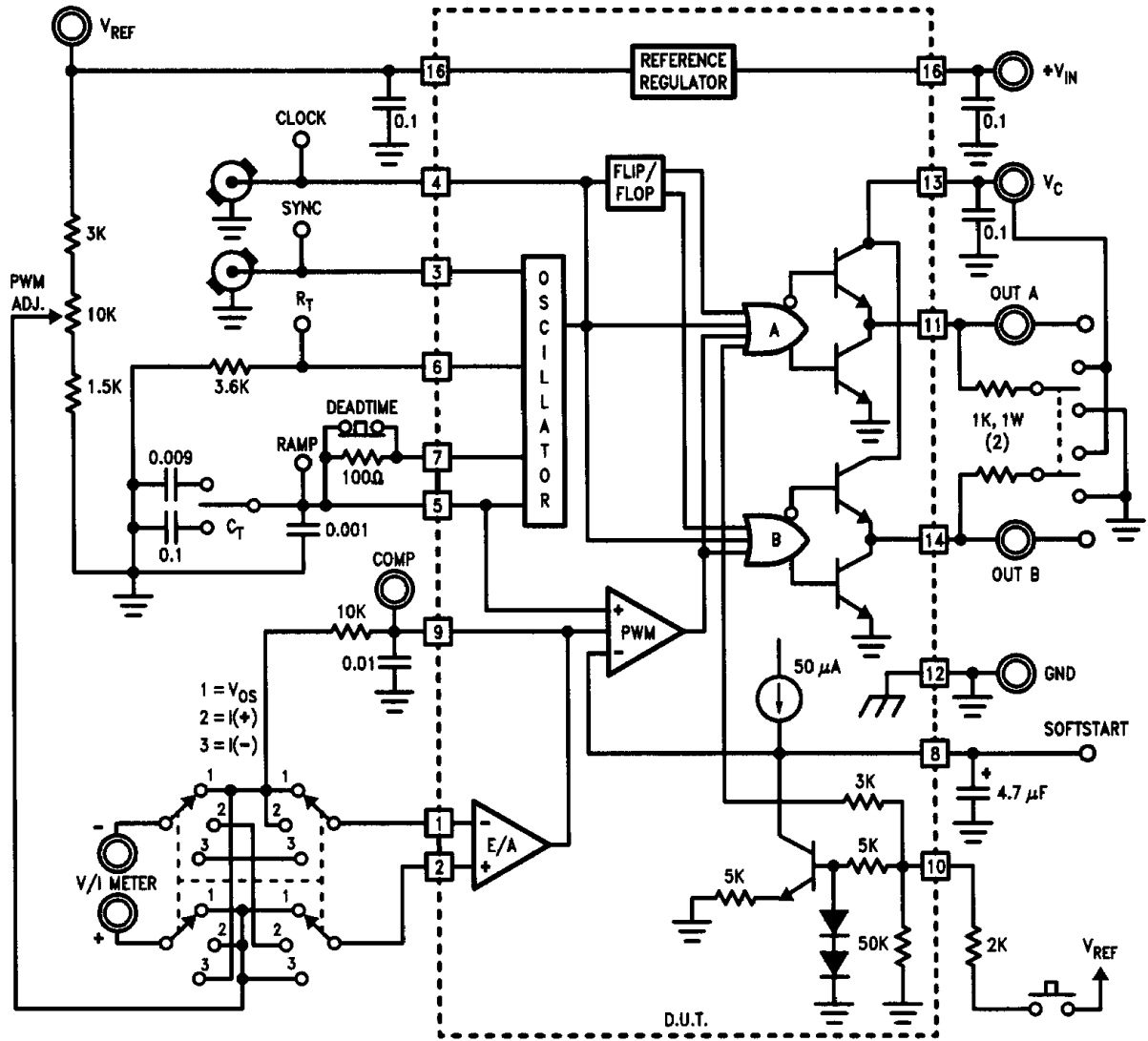
Direct Drive for Transformer



TL/H/9112-11

Typical Applications (Continued)

LM1525A/1527A Lab Test Fixture



TL/H/9112-12