

## LM9638 Monochrome CMOS Image Sensor SXGA 18 FPS

### General Description

The LM9638 is a high performance, low power, 1/2" SXGA CMOS Active Pixel Sensor capable of capturing monochrome still or motion images and converting them to a digital data stream.

Mega-pixel class image quality is achieved by integrating a high performance analog signal processor comprising of a high speed 10 bit A/D convertor, fixed pattern noise elimination circuits and a programmable gain amplifier. The offset and black level can be automatically adjusted on chip using a full loop black level compensation circuit.

Furthermore, a programmable smart timing and control circuit allowing the user maximum flexibility in adjusting integration time, active window size, gain, frame rate. Various control, timing and power modes are also provided.

### Features

- Video and snapshot operation
- Progressive scan read out with horizontal and vertical flip
- Programmable Exposure:
  - Master clock divider
  - Inter row delay
  - Inter frame delay
  - Partial frame integration
- Programmable gain amplifier
- Full automatic servo loop for black level & offset adjustment on each gain channel
- Horizontal & vertical sub-sampling (2:1 & 4:2) with averaging
- Windowing
- Programmable pixel clock, inter-frame and inter-line delays
- I<sup>2</sup>C compatible serial control interface
- Power on reset & power down mode

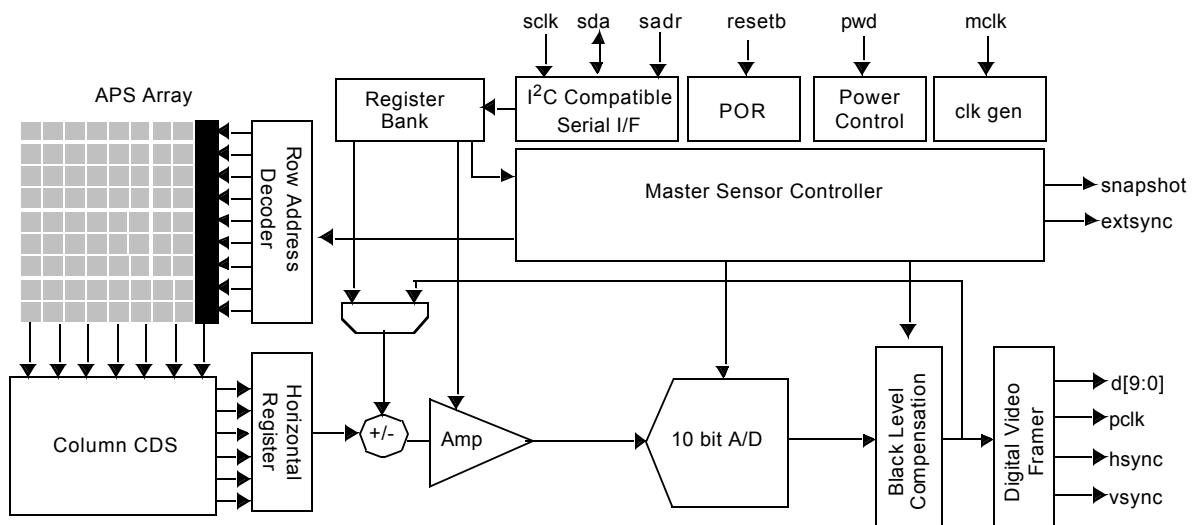
### Applications

- Security Camera
- Machine Vision
- Barcode Scanner
- Biometrics

### Key Specifications

Array Format	Total: 1032 x 1312 Active: 1032 x 1288
Effective Image Area	Total: 6.30mm x 7.83mm Active: 6.27mm x 7.81mm
Optical Format	1/2"
Pixel Size	6.0µm x 6.0µm
Video Outputs	8 & 10 Bit Digital
Frame Rate	18 frames per second
Dynamic Range	57 dB
Shutter	Rolling reset
FPN	0.5%
PRMU	1.7%
Sensitivity	2.40 volts/lux.s
Fill Factor	49%
Micro Lens	none
Package	48 LCC
Single Supply	3.0V +/- 10%
Power Consumption	150mW
Operating Temp	-10°C to 50°C

### Overall Chip Block Diagram



## Ordering Information (Product, Samples & Design In Tools)

Item	Description	Part Number
LM9638	LM9638 SXGA, 18 frames per second, monochrome CMOS image sensor. This sensor is shipped in a 48 pin ceramic leadless chip carrier package. Minimum order quantity, one tray of 96 units.	LM9638BCEA
Sample Kit	This kit includes 5 LM9638 samples and complete product datasheet.	LM9638SAMPLE-KIT
Headboard	This is a small PCB that houses the LM9638 sensor together with all necessary discrete components. The headboard is supplied with C-MOUNT lens block (lens not included) and documentation. M12 Lens mounts (not included) can be mounted on this board.	LM9638HEADBOARD
Evaluation Kit	The evaluation kit is a complete software/hardware solution designed to give the system designer a complete raw data evaluation toolset for the LM9638 sensor.  The kit contains a LM9638 headboard (see above), C-MOUNT lens, capture and display board, power supply, SNAPS EVAL version Windows application software and documentation.	LM9638EVAL-KIT
1/2" Lens Kit	The 1/2" lens kit consists of two 1/2" M12 lenses and an M12 mount that can be attached to any LM9638 headboard (see above). All lenses in the kit have been tested by National Semiconductor and are supplied with documentation and test data.	LM96-1/2-LENS-KIT

### LIFE SUPPORT POLICY

NATIONAL'S PRODUCTS ARE NOT AUTHORIZED FOR USE AS CRITICAL COMPONENTS IN LIFE SUPPORT DEVICES OR SYSTEMS WITHOUT THE EXPRESS WRITTEN APPROVAL OF THE PRESIDENT AND GENERAL COUNSEL OF NATIONAL SEMICONDUCTOR CORPORATION. As used herein:

1. Life support devices or systems are devices or systems which, (a) are intended for surgical implant into the body, or (b) support or sustain life, and whose failure to perform when properly used in accordance with instructions for use provided in the labeling, can be reasonably expected to result in a significant injury to the user.
2. A critical component is any component of a life support device or system whose failure to perform can be reasonably expected to cause the failure of the life support device or system, or to affect its safety or effectiveness.



**National Semiconductor Corporation**  
Americas  
Tel: 1-800-272-9959  
Fax: 1-800-737-7018  
Email: support@nsc.com

www.national.com

**National Semiconductor Europe**

Fax: +49 (0) 1 80-530 85 86  
Email: europe.support@nsc.com  
Deutsch Tel: +49 (0) 69 9508 6208  
English Tel: +44 (0) 870 24 0 2171  
Francais Tel: +33 (0) 1 41 91 8790

**National Semiconductor Asia Pacific Customer Response Group**

Tel: 65-2544466  
Fax: 65-2504466  
Email: ap.support@nsc.com

**National Semiconductor Japan Ltd.**

Tel: 81-3-5639-7560  
Fax: 81-3-5639-7507