

LMX2487E

7.5 GHz High Performance Delta-Sigma Low Power Dual PLLatinum™ Frequency Synthesizers with 3.0 GHz Integer PLL

General Description

The LMX2487E is a low power, high performance delta-sigma fractional-N PLL with an auxiliary integer-N PLL. It is fabricated using National Semiconductor's advanced process.

With delta-sigma architecture, fractional spurs at lower offset frequencies are pushed to higher frequencies outside the loop bandwidth. The ability to push close in spur and phase noise energy to higher frequencies is a direct function of the modulator order. Unlike analog compensation, the digital feedback technique used in the LMX2487E is highly resistant to changes in temperature and variations in wafer processing. The LMX2487E delta-sigma modulator is programmable up to fourth order, which allows the designer to select the optimum modulator order to fit the phase noise, spur, and lock time requirements of the system.

Serial data for programming the LMX2487E is transferred via a three line high speed (20 MHz) MICROWIRE interface. The LMX2487E offers fine frequency resolution, low spurs, fast programming speed, and a single word write to change the frequency. This makes it ideal for direct digital modulation applications, where the N counter is directly modulated with information. The LMX2487E is available in a 24 lead 4.0 X 4.0 X 0.8 mm LLP package.

Applications

- Cellular phones and base stations
- Direct digital modulation applications
- Satellite and cable TV tuners

- WLAN Standards

Features

Quadruple Modulus Prescalers for Lower Divide Ratios

- RF PLL: 16/17/20/21 or 32/33/36/37
- IF PLL: 8/9 or 16/17

Advanced Delta Sigma Fractional Compensation

- 12 bit or 22 bit selectable fractional modulus
- Up to 4th order programmable delta-sigma modulator

Features for Improved Lock Times and Programming

- Fastlock / Cycle slip reduction
- Integrated time-out counter
- Single word write to change frequencies with Fastlock

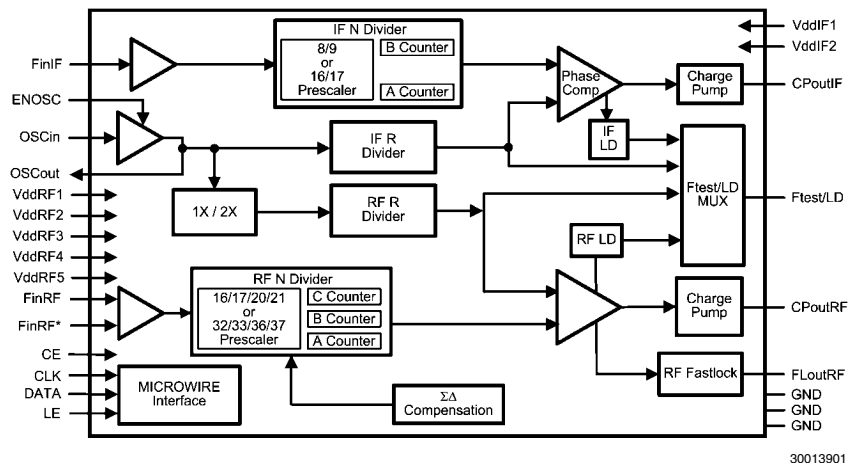
Wide Operating Range

- LMX2487E RF PLL: 3.0 GHz to 7.5 GHz

Useful Features

- Digital lock detect output
- Hardware and software power-down control
- On-chip crystal reference frequency doubler.
- RF phase comparison frequency up to 50 MHz
- 2.5 to 3.6 volt operation with $I_{CC} = 8.5 \text{ mA}$ at 3.0 V

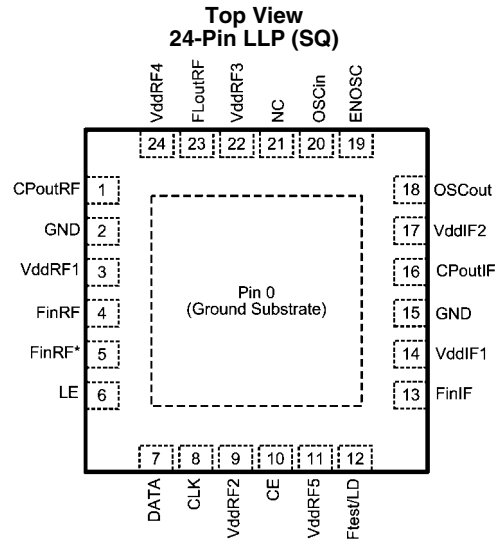
Functional Block Diagram



30013901

PLLatinum™ is a trademark of National Semiconductor Corporation.

Connection Diagram



Pin Descriptions

| Pin # | Pin Name | I/O | Pin Description |
|-------|----------|-----|--|
| 0 | GND | - | Ground Substrate. This is on the bottom of the package and must be grounded. |
| 1 | CPoutRF | O | RF PLL charge pump output. |
| 2 | GND | - | RF PLL analog ground. |
| 3 | VddRF1 | - | RF PLL analog power supply. |
| 4 | FinRF | I | RF PLL high frequency input pin. |
| 5 | FinRF* | I | RF PLL complementary high frequency input pin. Shunt to ground with a 100 pF capacitor. |
| 6 | LE | I | MICROWIRE Load Enable. High impedance CMOS input. Data stored in the shift registers is loaded into the internal latches when LE goes HIGH |
| 7 | DATA | I | MICROWIRE Data. High impedance binary serial data input. |
| 8 | CLK | I | MICROWIRE Clock. High impedance CMOS Clock input. Data for the various counters is clocked into the 24 bit shift register on the rising edge |
| 9 | VddRF2 | - | Power supply for RF PLL digital circuitry. |
| 10 | CE | I | Chip Enable control pin. Must be pulled high for normal operation. |
| 11 | VddRF5 | I | Power supply for RF PLL digital circuitry. |
| 12 | Ftest/LD | O | Test frequency output / Lock Detect. |
| 13 | FinIF | I | IF PLL high frequency input pin. |
| 14 | VddIF1 | - | IF PLL analog power supply. |
| 15 | GND | - | IF PLL digital ground. |
| 16 | CPoutIF | O | IF PLL charge pump output |
| 17 | VddIF2 | - | IF PLL power supply. |
| 18 | OSCOut | O | Buffered output of the OSCin signal. |
| 19 | ENOSC | I | Oscillator enable. When this is set to high, the OSCout pin is enabled regardless of the state of other pins or register bits. |
| 20 | OSCin | I | Reference Input. |
| 21 | NC | I | This pin must be left open. |
| 22 | VddRF3 | - | Power supply for RF PLL digital circuitry. |
| 23 | FLoutRF | O | RF PLL Fastlock Output. Also functions as Programmable TRI-STATE CMOS output. |
| 24 | VddRF4 | - | RF PLL analog power supply. |

Absolute Maximum Ratings (Notes 1, 2)

| Parameter | Symbol | Value | | | Units |
|----------------------------------|----------|-------|-----|--------------|-------|
| | | Min | Typ | Max | |
| Power Supply Voltage | V_{CC} | -0.3 | | 4.25 | V |
| Voltage on any pin with GND = 0V | V_i | -0.3 | | $V_{CC}+0.3$ | V |
| Storage Temperature Range | T_s | -65 | | +150 | °C |
| Lead Temperature (Solder 4 sec.) | T_L | | | +260 | °C |

Recommended Operating Conditions

| Parameter | Symbol | Value | | | Units |
|-------------------------------|----------|-------|-----|-----|-------|
| | | Min | Typ | Max | |
| Power Supply Voltage (Note 1) | V_{CC} | 2.5 | 3.0 | 3.6 | V |
| Operating Temperature | T_A | -40 | 25 | +85 | °C |

Note 1: "Absolute Maximum Ratings" indicate limits beyond which damage to the device may occur. "Recommended Operating Conditions" indicate conditions for which the device is intended to be functional, but do not guarantee specific performance limits. For guaranteed specifications and test conditions, see the Electrical Characteristics. The guaranteed specifications apply only for the test conditions listed. The voltage at all the power supply pins of VddRF1, VddRF2, VddRF3, VddRF4, VddRF5, VddIF1 and VddIF2 must be the same. V_{CC} will be used to refer to the voltage at these pins and I_{CC} will be used to refer to the sum of all currents through all these power pins.

Note 2: This Device is a high performance RF integrated circuit with an ESD rating < 2 kV and is ESD sensitive. Handling and assembly of this device should only be done at ESD-free workstations.

Electrical Characteristics ($V_{CC} = 3.0V$; $-40^{\circ}C \leq T_A \leq +85^{\circ}C$ unless otherwise specified)

| Symbol | Parameter | Conditions | Value | | | Units |
|----------------------------------|--|--|---|------|------|---------|
| | | | Min | Typ | Max | |
| ICC PARAMETERS | | | | | | |
| I_{CCRF} | Power Supply Current, RF Synthesizer | IF PLL OFF RF PLL ON Charge Pump TRI-STATE | | 5.7 | | mA |
| I_{CCIF} | Power Supply Current, IF Synthesizer | IF PLL ON RF PLL OFF Charge Pump TRI-STATE | | 2.5 | | mA |
| $I_{CCTOTAL}$ | Power Supply Current, Entire Synthesizer | IF PLL ON RF PLL ON Charge Pump TRI-STATE | | 8.5 | | mA |
| I_{CCPD} | Power Down Current | CE = ENOSC = 0V CLK, DATA, LE = 0V | | < 1 | | μA |
| RF SYNTHESIZER PARAMETERS | | | | | | |
| f_{FinRF} | Operating Frequency | LMX2487 | RF_P = 16 | 3000 | 4000 | MHz |
| | | E | RF_P = 32 | 3000 | 7500 | |
| P_{FinRF} | Input Sensitivity | | 3-6 GHz | -10 | 0 | dBm |
| | | | 6-7.5 GHz | -5 | 5 | |
| f_{COMP} | Phase Detector Frequency (Note 3) | | | | 50 | MHz |
| $I_{CPoutRF}SRCE$ | RF Charge Pump Source Current (Note 4) | | RF_CPG = 0 $V_{CPoutRF} = V_{CC}/2$ | | 95 | μA |
| | | | RF_CPG = 1 $V_{CPoutRF} = V_{CC}/2$ | | 190 | μA |
| | | | ... | | ... | μA |
| | | | RF_CPG = 15 $V_{CPoutRF} = V_{CC}/2$ | | 1520 | μA |

| Symbol | Parameter | Conditions | Value | | | Units |
|----------------------------------|--|--|-----------------|-------|----------|-----------|
| | | | Min | Typ | Max | |
| $I_{CPoutRF}^{SINK}$ | RF Charge Pump Sink Current (Note 4) | RF_CPG = 0 $V_{CPoutRF} = V_{CC}/2$ | | -95 | | μA |
| | | RF_CPG = 1 $V_{CPoutRF} = V_{CC}/2$ | | -190 | | μA |
| | | ... | | ... | | μA |
| | | RF_CPG = 15 $V_{CPoutRF} = V_{CC}/2$ | | -1520 | | μA |
| $I_{CPoutRF}^{TRI}$ | RF Charge Pump TRI-STATE Current Magnitude | $0.5 \leq V_{CPoutRF} \leq V_{CC} - 0.5$ | | 2 | 10 | nA |
| $ I_{CPoutRF}^{%MIS} $ | Magnitude of RF CP Sink vs. CP Source Mismatch | $V_{CPoutRF} = V_{CC}/2$ $T_A = 25^\circ C$ | RF_CPG > 2 | 3 | 10 | % |
| | | | RF_CPG \leq 2 | 3 | 13 | % |
| $ I_{CPoutRF}^{%V} $ | Magnitude of RF CP Current vs. CP Voltage | $0.5 \leq V_{CPoutRF} \leq V_{CC} - 0.5$ $T_A = 25^\circ C$ | | 2 | 8 | % |
| $ I_{CPoutRF}^{%T} $ | Magnitude of RF CP Current vs. Temperature | $V_{CPoutRF} = V_{CC}/2$ | | 4 | | % |
| IF SYNTHESIZER PARAMETERS | | | | | | |
| f_{FinIF} | Operating Frequency | IF_P = 8 | 250 | | 2000 | MHz |
| | | IF_P = 16 | 250 | | 3000 | |
| P_{FinIF} | IF Input Sensitivity | | -10 | | +5 | dBm |
| f_{COMP} | Phase Detector Frequency | | | | 10 | MHz |
| $I_{CPoutIF}^{SRCE}$ | IF Charge Pump Source Current | $V_{CPoutIF} = V_{CC}/2$ | | 3.5 | | mA |
| $I_{CPoutIF}^{SINK}$ | IF Charge Pump Sink Current | $V_{CPoutIF} = V_{CC}/2$ | | -3.5 | | mA |
| $I_{CPoutIF}^{TRI}$ | IF Charge Pump TRI-STATE Current Magnitude | $0.5 \leq V_{CPoutIF} \leq V_{CC} - 0.5$ | | 2 | 10 | nA |
| $ I_{CPoutIF}^{%MIS} $ | Magnitude of IF CP Sink vs. CP Source Mismatch | $V_{CPoutIF} = V_{CC}/2$ $T_A = 25^\circ C$ | | 1 | 8 | % |
| $ I_{CPoutIF}^{%V} $ | Magnitude of IF CP Current vs. CP Voltage | $0.5 \leq V_{CPoutIF} \leq V_{CC} - 0.5$ $T_A = 25^\circ C$ | | 4 | 10 | % |
| $ I_{CPoutIF}^{%TEMP} $ | Magnitude of IF CP Current vs. Temperature | $V_{CPoutIF} = V_{CC}/2$ | | 4 | | % |
| OSCILLATOR PARAMETERS | | | | | | |
| f_{OSCin} | Oscillator Operating Frequency | OSC2X = 0 | 5 | | 110 | MHz |
| | | OSC2X = 1 | 5 | | 20 | MHz |
| V_{OSCin} | Oscillator Input Sensitivity | | 0.5 | | V_{CC} | V_{P-P} |
| I_{OSCin} | Oscillator Input Current | | -100 | | 100 | μA |
| SPURS | | | | | | |
| | Spurs in band(Note 5) | | | -55 | | dBc |

| Symbol | Parameter | Conditions | Value | | | Units |
|--|---|----------------------------|--------------|------|----------|---------|
| | | | Min | Typ | Max | |
| PHASE NOISE | | | | | | |
| L_{F1Hz}^{RF} | RF Synthesizer Normalized Phase Noise Contribution (Note 6) | RF_CPG = 0 | | -202 | | dBc/Hz |
| | | RF_CPG = 1 | | -204 | | |
| | | RF_CPG = 3 | | -206 | | |
| | | RF_CPG = 7 | | -210 | | |
| | | RF_CPG = 15 | | -210 | | |
| L_{F1Hz}^{IF} | IF Synthesizer Normalized Phase Noise Contribution | | | -209 | | dBc/Hz |
| DIGITAL INTERFACE (DATA, CLK, LE, ENOSC, CE, Ftest/LD, FLoutRF) | | | | | | |
| V_{IH} | High-Level Input Voltage | | 1.6 | | V_{CC} | V |
| V_{IL} | Low-Level Input Voltage | | | | 0.4 | V |
| I_{IH} | High-Level Input Current | $V_{IH} = V_{CC}$ | -1.0 | | 1.0 | μA |
| I_{IL} | Low-Level Input Current | $V_{IL} = 0 V$ | -1.0 | | 1.0 | μA |
| V_{OH} | High-Level Output Voltage | $I_{OH} = -500 \mu A$ | $V_{CC}-0.4$ | | | V |
| V_{OL} | Low-Level Output Voltage | $I_{OL} = 500 \mu A$ | | | 0.4 | V |
| MICROWIRE INTERFACE TIMING | | | | | | |
| t_{CS} | Data to Clock Set Up Time | See MICROWIRE Input Timing | 25 | | | ns |
| t_{CH} | Data to Clock Hold Time | See MICROWIRE Input Timing | 8 | | | ns |
| t_{CWH} | Clock Pulse Width High | See MICROWIRE Input Timing | 25 | | | ns |
| t_{CWL} | Clock Pulse Width Low | See MICROWIRE Input Timing | 25 | | | ns |
| t_{ES} | Clock to Load Enable Set Up Time | See MICROWIRE Input Timing | 25 | | | ns |
| t_{EW} | Load Enable Pulse Width | See MICROWIRE Input Timing | 25 | | | ns |

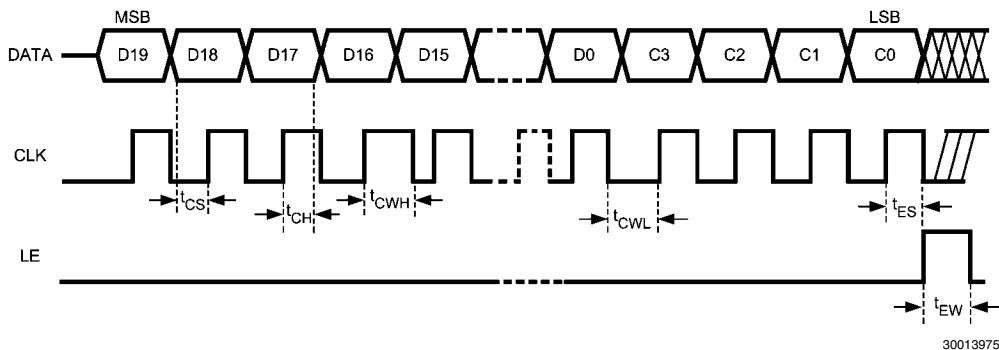
Note 3: For Phase Detector Frequencies above 20 MHz, Cycle Slip Reduction (CSR) may be required. Legal divide ratios are also required.

Note 4: Refer to table in Section 2.4.2 RF_CPG -- RF PLL Charge Pump Gain for complete listing of charge pump currents.

Note 5: In order to measure the in-band spur, the fractional word is chosen such that when reduced to lowest terms, the fractional numerator is one. The spur offset frequency is chosen to be the comparison frequency divided by the reduced fractional denominator. The loop bandwidth must be sufficiently wide to negate the impact of the loop filter. Measurement conditions are: Spur Offset Frequency = 10 kHz, Loop Bandwidth = 100 kHz, Fraction = 1/2000, Comparison Frequency = 20 MHz, RF_CPG = 7, DITH = 0, VCO Frequency = 3 GHz, and a 4th Order Modulator (FM = 0). These are relatively consistent over tuning range.

Note 6: Normalized Phase Noise Contribution is defined as: $L_N(f) = L(f) - 20\log(N) - 10\log(f_{COMP})$ where $L(f)$ is defined as the single side band phase noise measured at an offset frequency, f , in a 1 Hz Bandwidth. The offset frequency, f , must be chosen sufficiently smaller than the PLL loop bandwidth, yet large enough to avoid substantial phase noise contribution from the reference source. Measurement conditions are: Offset Frequency = 11 kHz, Loop Bandwidth = 100 kHz for RF_CPG = 7, Fraction = 1/2000, Comparison Frequency = 20 MHz, FM = 0, DITH = 0, VCO Frequency = 3 GHz.

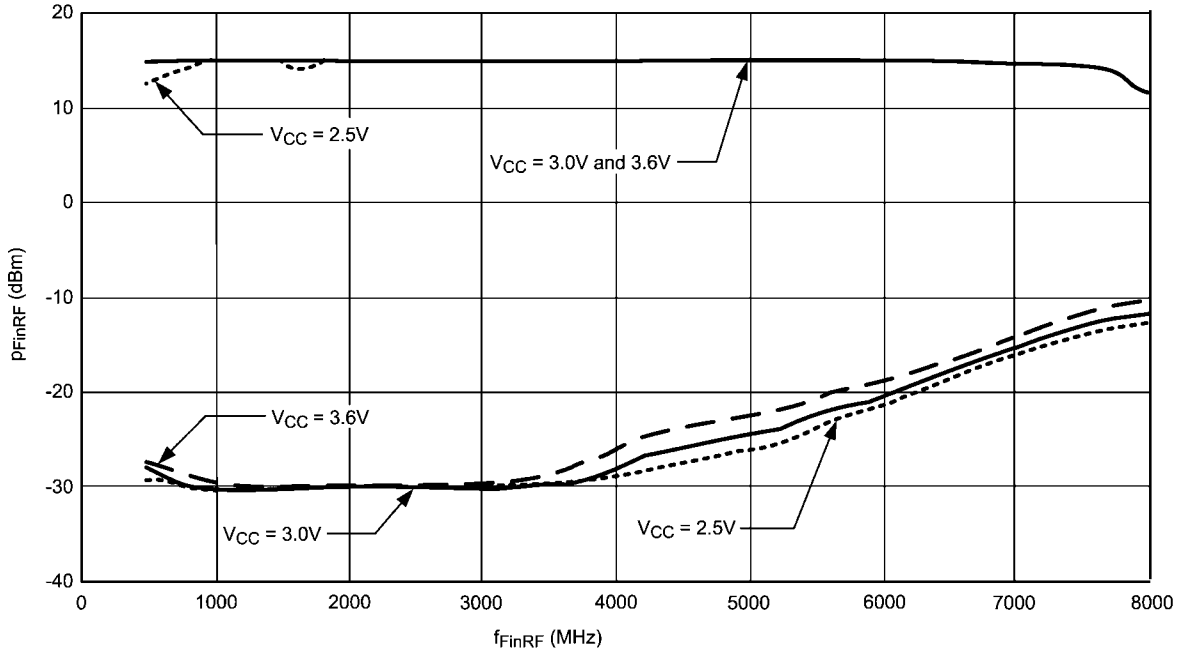
MICROWIRE INPUT TIMING DIAGRAM



30013975

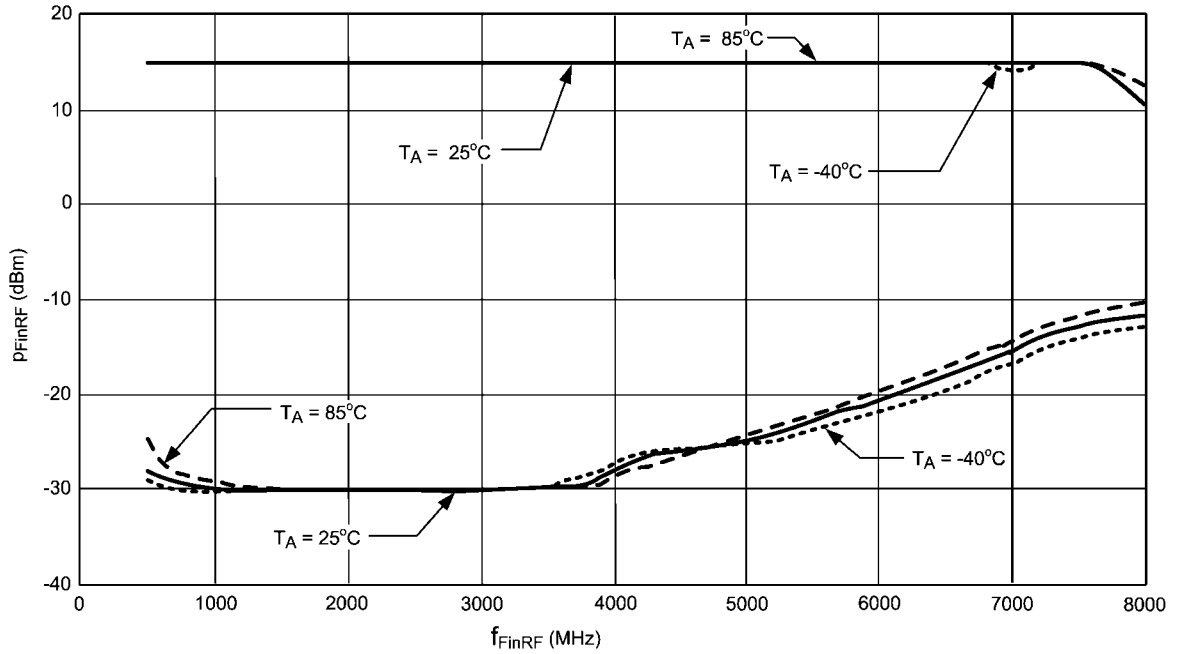
Typical Performance Characteristics : Sensitivity (Note 7)

RF PLL Fin Sensitivity
 $T_A = 25^\circ\text{C}$, $\text{RF_P} = 32$

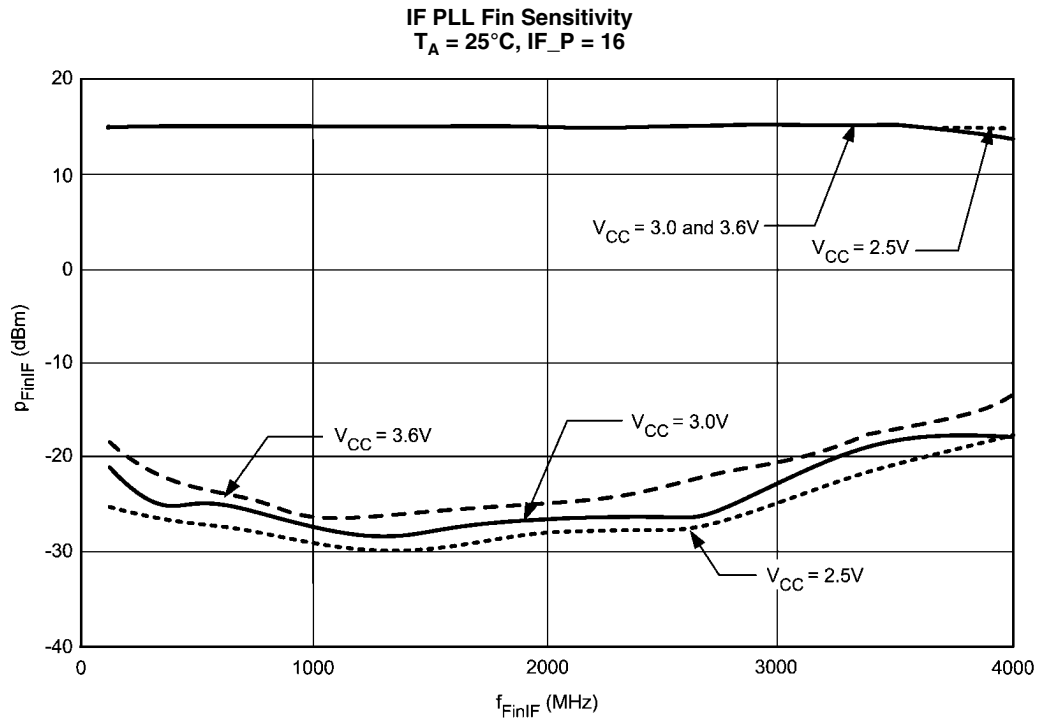


30013945

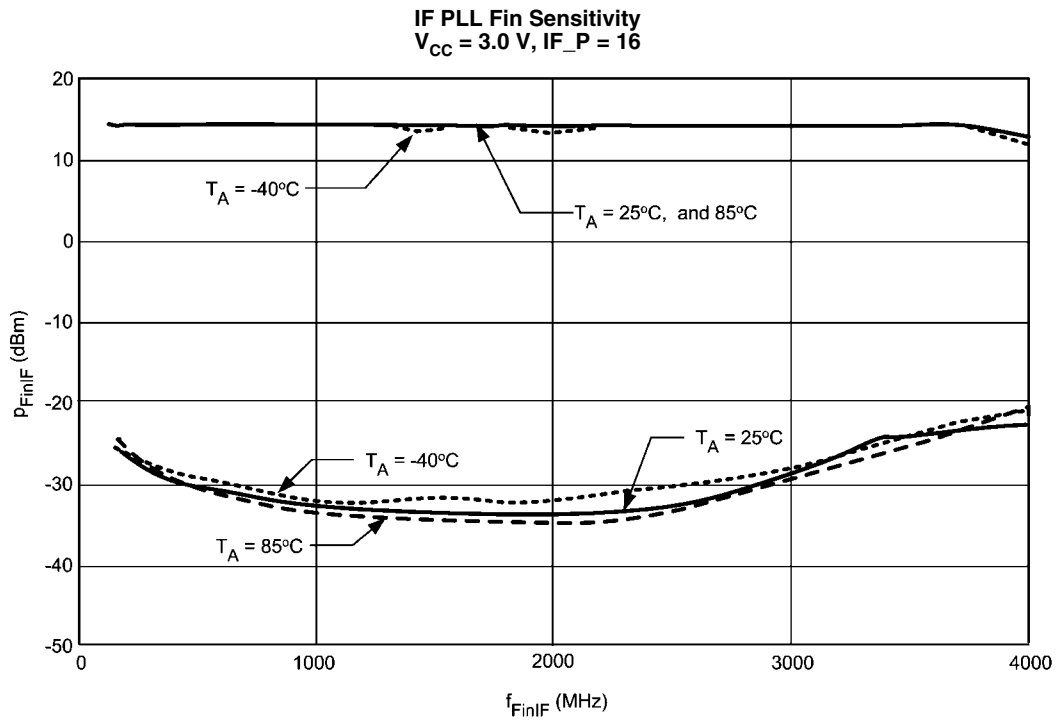
RF PLL Fin Sensitivity
 $V_{CC} = 3.0\text{ V}$, $\text{RF_P} = 32$



30013946

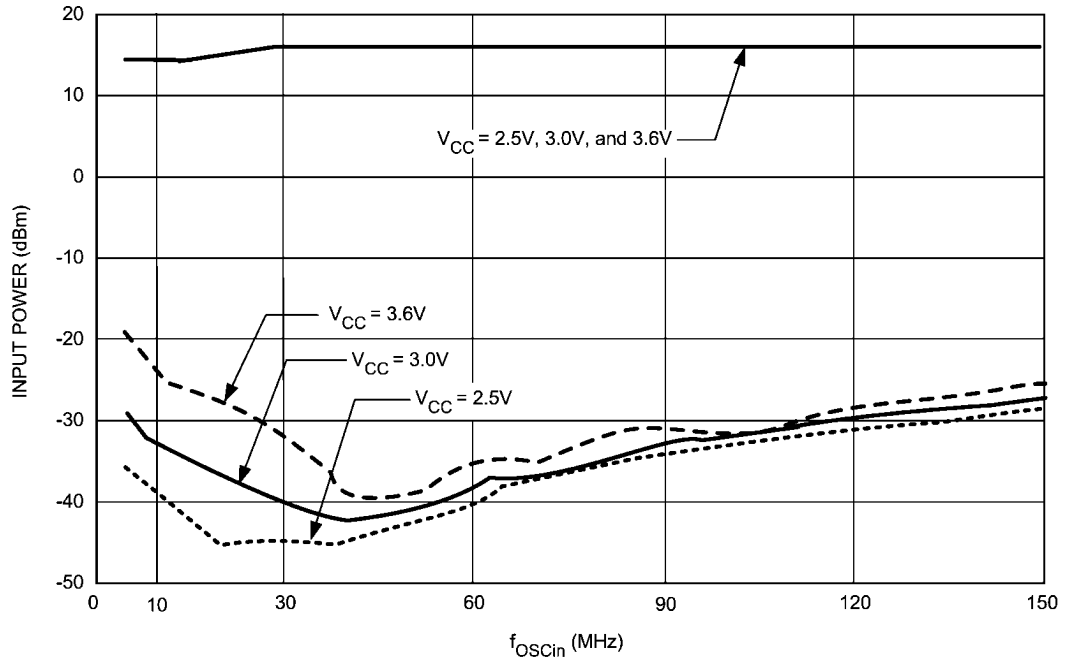


30013947



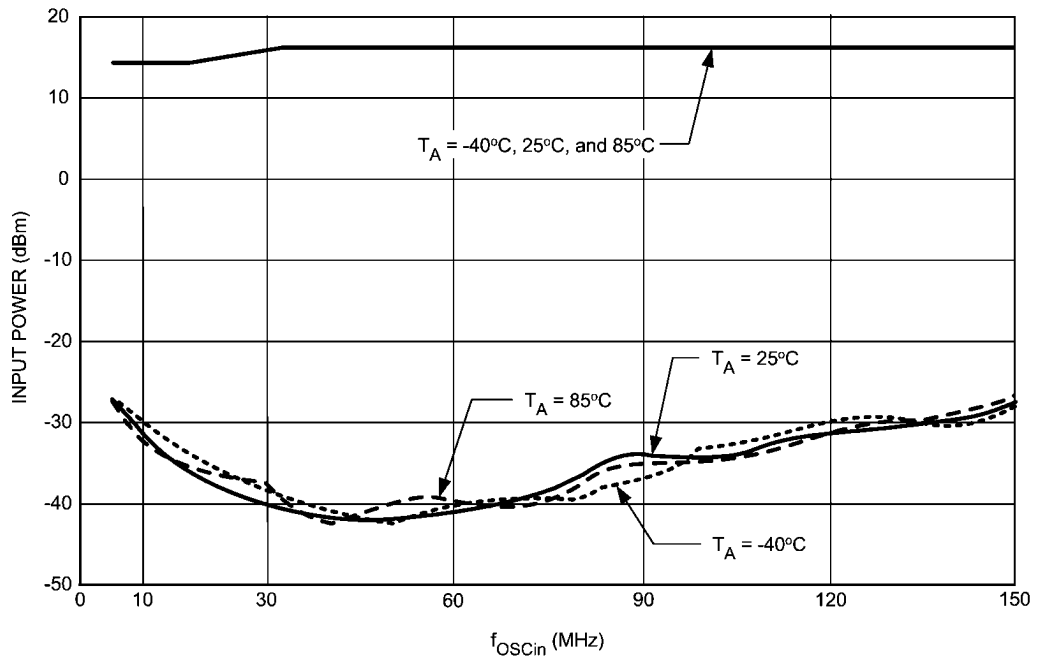
30013948

OSCin Sensitivity
 $T_A = 25^\circ\text{C}$, OSC_2X = 0

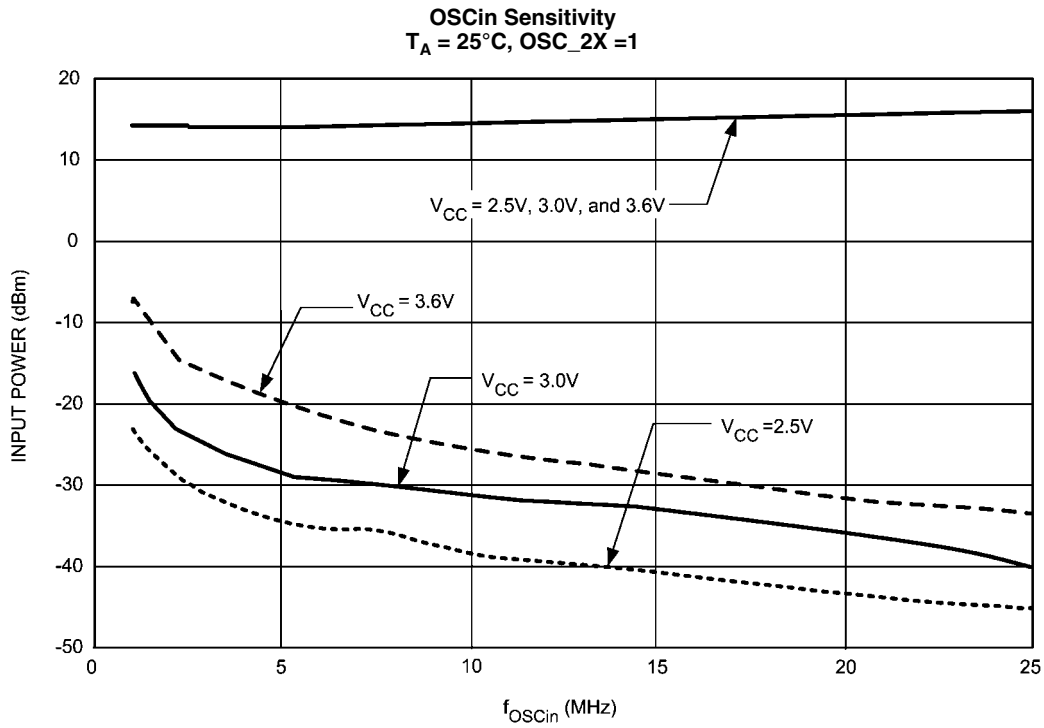


30013949

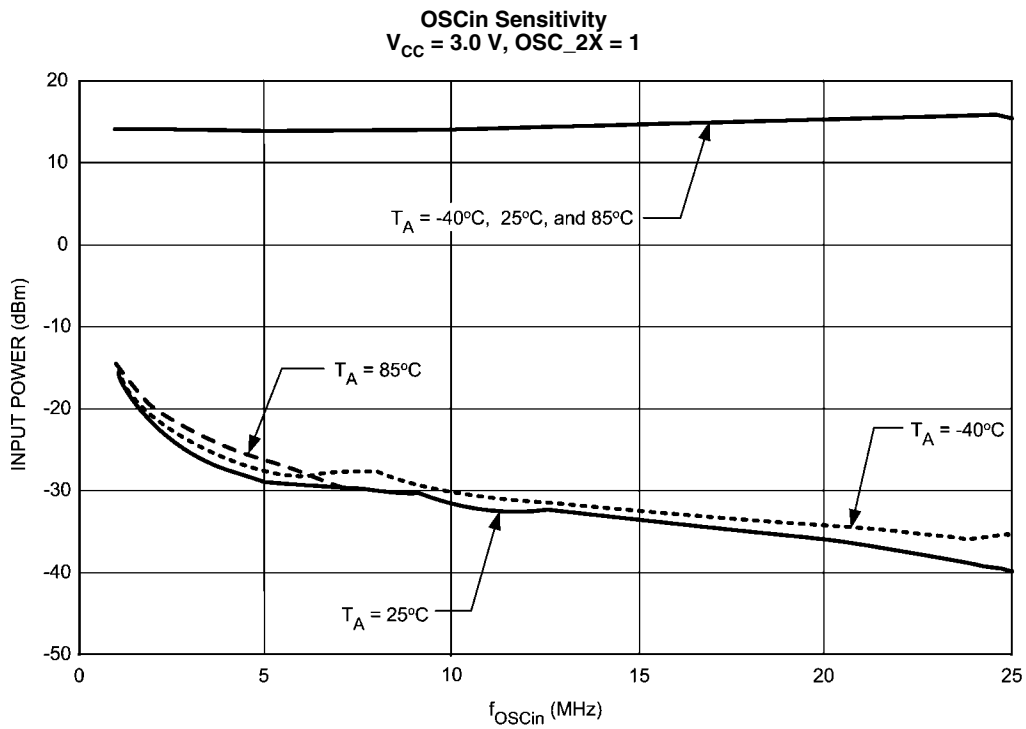
OSCin Sensitivity
 $V_{\text{CC}} = 3.0\text{ V}$, OSC_2X = 0



30013956

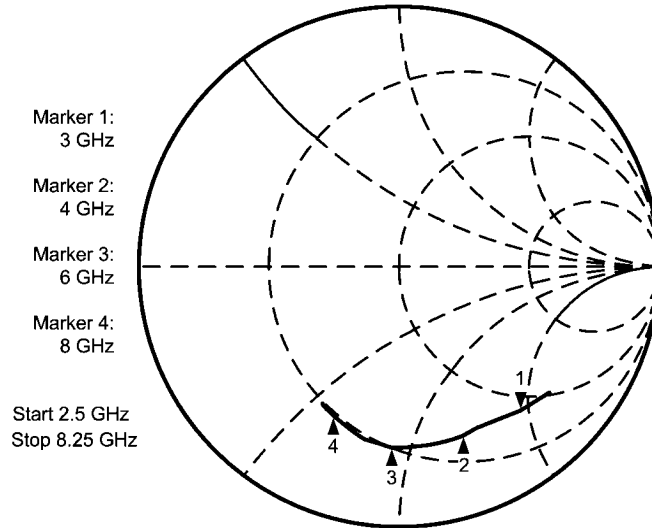


30013973



30013974

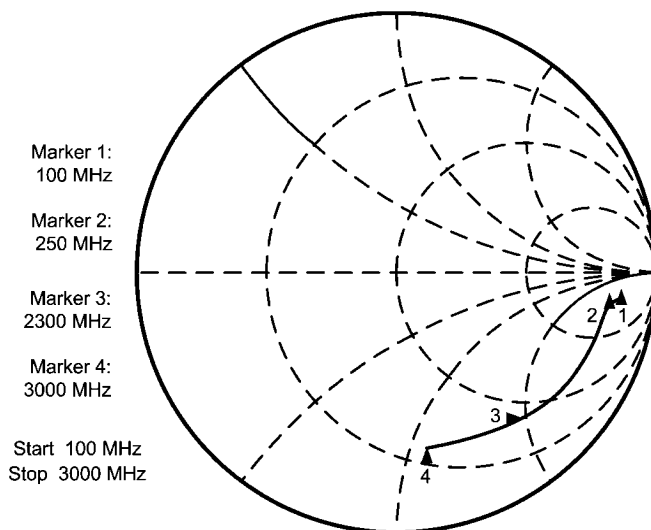
Typical Performance Characteristic : FinRF Input Impedance (Note 7)



30013968

| FinRF Input Impedance | | |
|-----------------------|-------------|------------------|
| Frequency (MHz) | Real (Ohms) | Imaginary (Ohms) |
| 3000 | 39 | -94 |
| 3200 | 37 | -86 |
| 3400 | 33 | -78 |
| 3600 | 30 | -72 |
| 3800 | 28 | -69 |
| 4000 | 26 | -66 |
| 4250 | 24 | -63 |
| 4500 | 23 | -60 |
| 4750 | 22 | -57 |
| 5000 | 20 | -54 |
| 5250 | 19 | -50 |
| 5500 | 18 | -49 |
| 5750 | 17 | -47 |
| 6000 | 17 | -45 |
| 6250 | 16 | -44 |
| 6500 | 16 | -42 |
| 6750 | 16 | -40 |
| 7000 | 16 | -39 |
| 7250 | 16 | -37 |
| 7500 | 16 | -35 |
| 7750 | 17 | -33 |
| 8000 | 17 | -30 |
| 8250 | 16 | -27 |

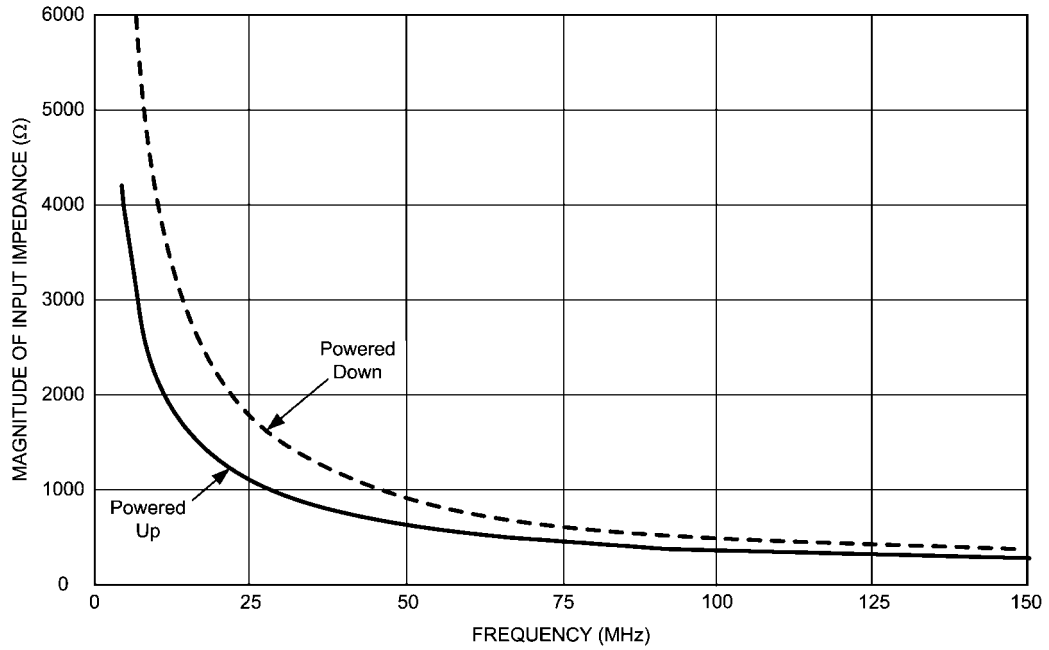
Typical Performance Characteristic : FinIF Input Impedance (Note 7)



30013954

| FinIF Input Impedance | | |
|-----------------------|-------------|------------------|
| Frequency (MHz) | Real (Ohms) | Imaginary (Ohms) |
| 100 | 508 | -233 |
| 150 | 456 | -215 |
| 200 | 420 | -206 |
| 250 | 403 | -205 |
| 300 | 370 | -207 |
| 400 | 344 | -215 |
| 500 | 207 | -223 |
| 600 | 274 | -225 |
| 700 | 242 | -225 |
| 800 | 242 | -225 |
| 900 | 214 | -222 |
| 1000 | 171 | -208 |
| 1200 | 137 | -191 |
| 1400 | 112 | -176 |
| 1600 | 91 | -158 |
| 1800 | 76 | -139 |
| 2000 | 62 | -122 |
| 2200 | 51 | -105 |
| 2300 | 46 | -96 |
| 2400 | 42 | -88 |
| 2600 | 37 | -74 |
| 2800 | 29 | -63 |
| 3000 | 25 | -54 |

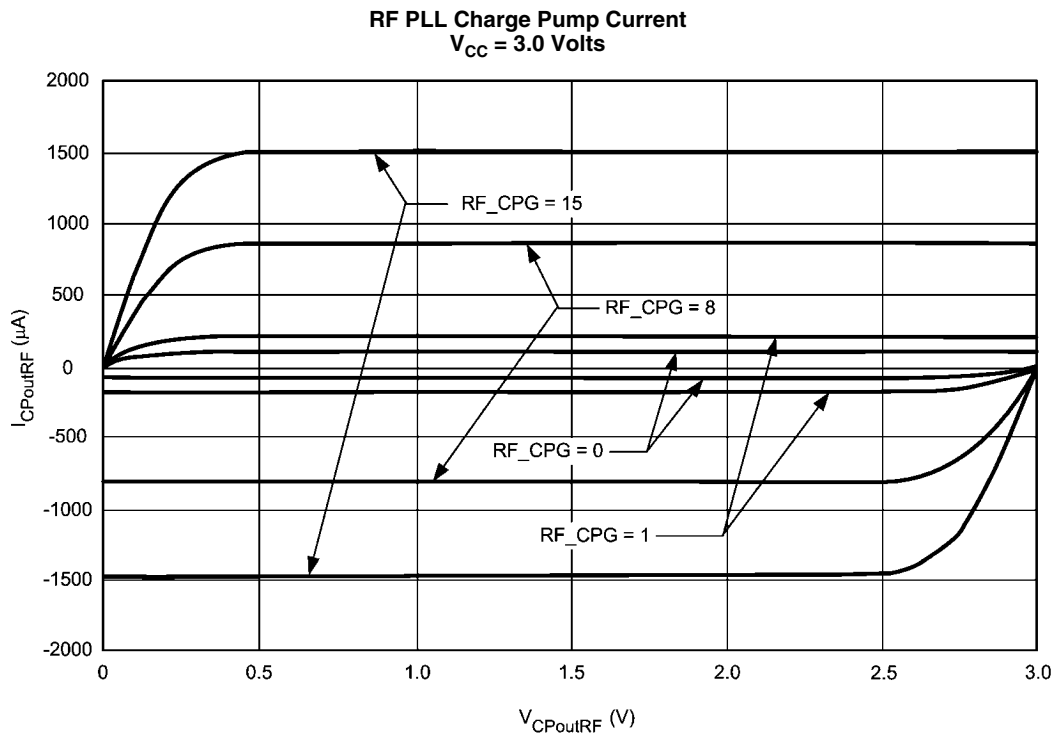
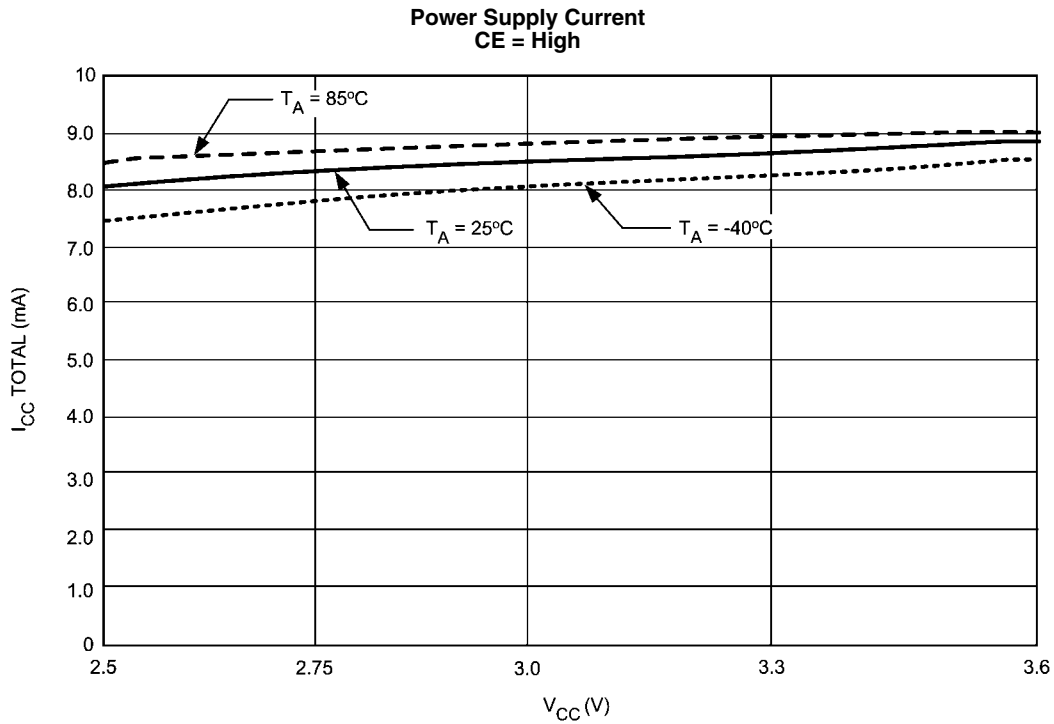
Typical Performance Characteristic : OSCin Input Impedance (Note 7)



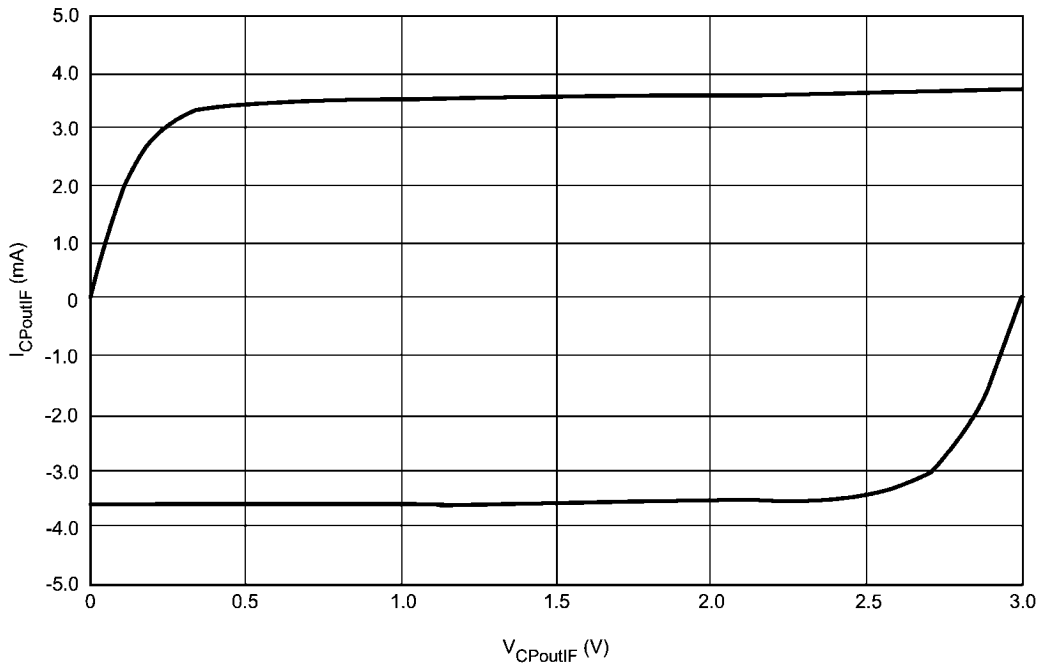
30013955

| Frequency (MHz) | Powered Up | | | Powered Down | | |
|-----------------|------------|-----------|-----------|--------------|-----------|-----------|
| | Real | Imaginary | Magnitude | Real | Imaginary | Magnitude |
| 5 | 1730 | -3779 | 4157 | 392 | -8137 | 8146 |
| 10 | 846 | -2236 | 2391 | 155 | -4487 | 4490 |
| 20 | 466 | -1196 | 1284 | 107 | -2215 | 2217 |
| 30 | 351 | -863 | 932 | 166 | -1495 | 1504 |
| 40 | 316 | -672 | 742 | 182 | -1144 | 1158 |
| 50 | 278 | -566 | 631 | 155 | -912 | 925 |
| 60 | 261 | -481 | 547 | 153 | -758 | 774 |
| 70 | 252 | -425 | 494 | 154 | -652 | 669 |
| 80 | 239 | -388 | 456 | 147 | -576 | 595 |
| 90 | 234 | -358 | 428 | 145 | -518 | 538 |
| 100 | 230 | -337 | 407 | 140 | -471 | 492 |
| 110 | 225 | -321 | 392 | 138 | -436 | 458 |
| 120 | 219 | -309 | 379 | 133 | -402 | 423 |
| 130 | 214 | -295 | 364 | 133 | -374 | 397 |
| 140 | 208 | -285 | 353 | 132 | -349 | 373 |
| 150 | 207 | -279 | 348 | 133 | -329 | 355 |

Typical Performance Characteristics : Currents (Note 7)

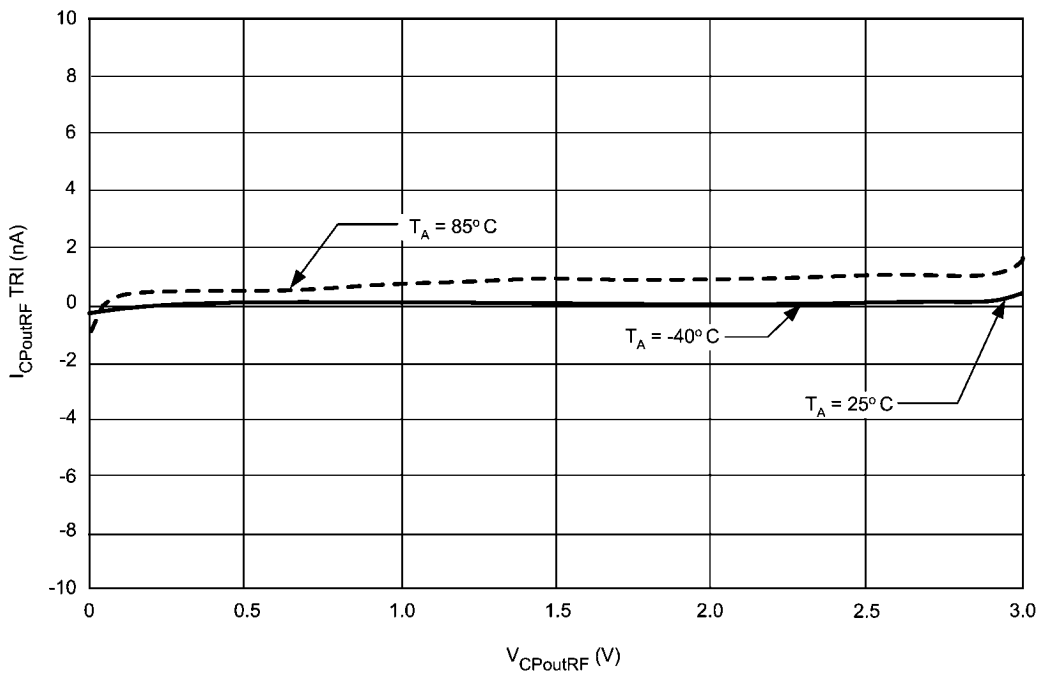


IF PLL Charge Pump Current
 $V_{CC} = 3.0$ Volts

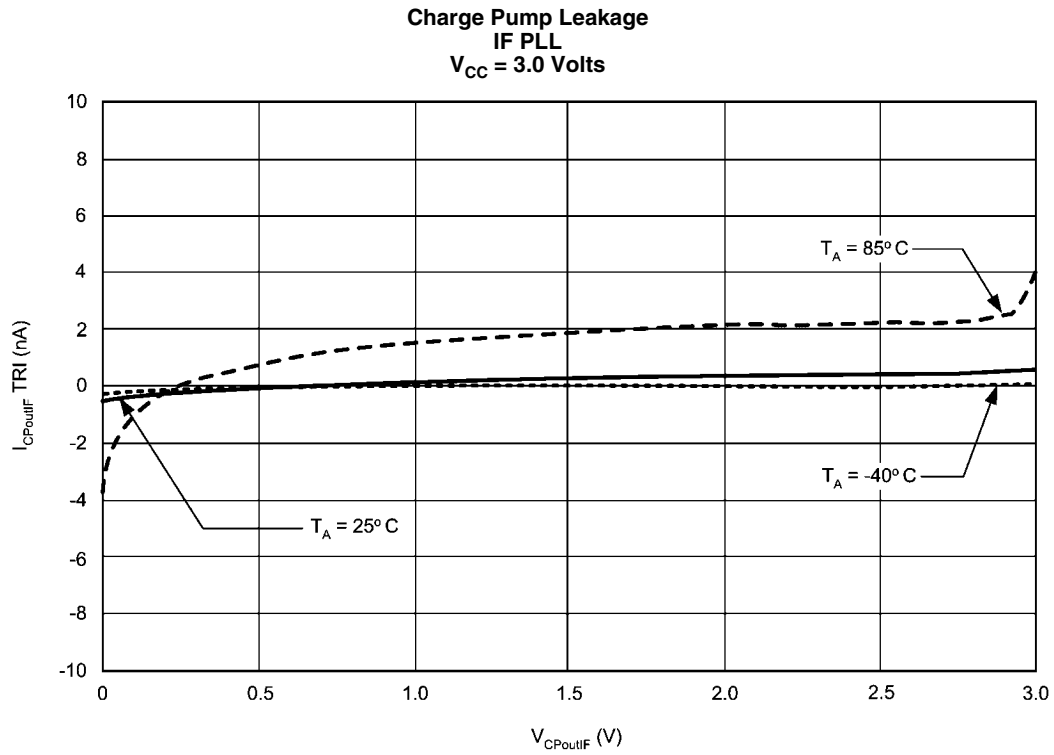


30013965

Charge Pump Leakage
RF PLL
 $V_{CC} = 3.0$ Volts



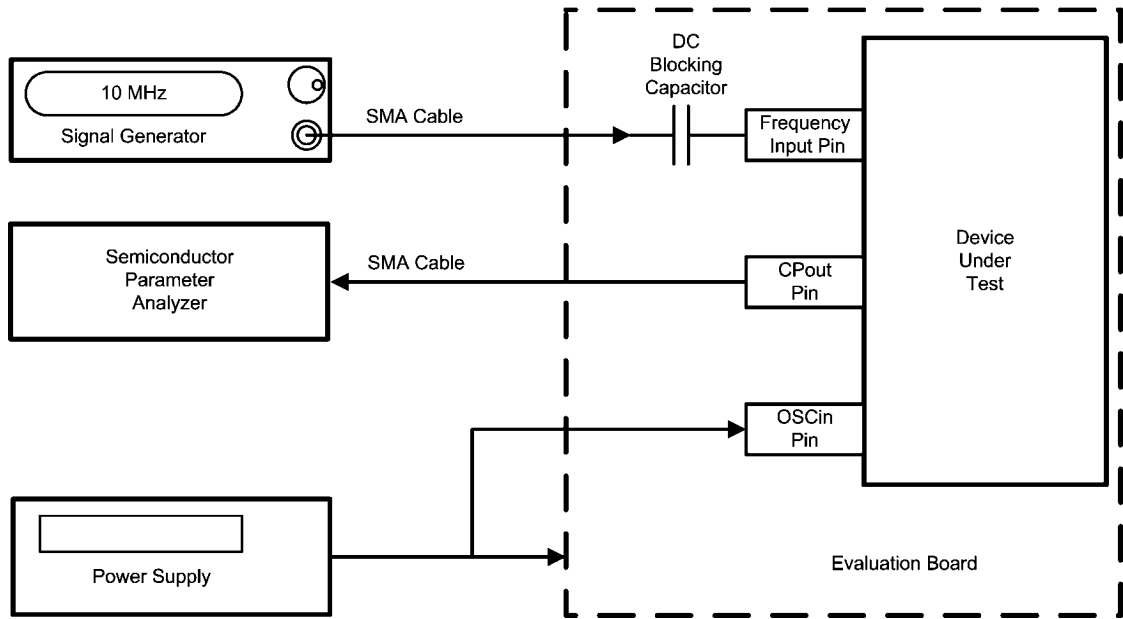
30013964



30013963

Note 7: Typical performance characteristics do not imply any sort of guarantee. Guaranteed specifications are in the electrical characteristics section.

Bench Test Setups



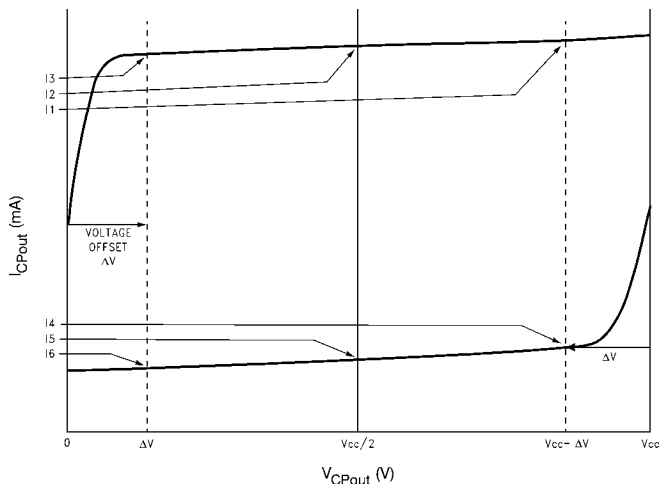
30013969

Charge Pump Current Measurement Procedure

The above block diagram shows the test procedure for testing the RF and IF charge pumps. These tests include absolute current level, mismatch, and leakage measurement. In order to measure the charge pump currents, a signal is applied to the high frequency input pins. The reason for this is to guarantee that the phase detector gets enough transitions in order to be able to change states. If no signal is applied, it is possible that the charge pump current reading will be low due to the fact that the duty cycle is not 100%. The OSCin Pin is tied to the supply. The charge pump currents can be measured by simply programming the phase detector to the necessary polarity. For instance, in order to measure the RF charge pump, a 10 MHz signal is applied to the FinRF pin. The source current can be measured by setting the RF PLL phase detector to a positive polarity, and the sink current can be measured by setting the phase detector to a negative polarity. The IF PLL currents can be measured in a similar way. Note that the magnitude of the RF PLL charge pump current is controlled by the RF_CPG bit. Once the charge pump currents are known, the mismatch can be calculated as well. In order to measure leakage, the charge pump is set to a TRI-STATE mode by enabling the RF_CPT and IF_CPT bits. The table below shows a summary of the various charge pump tests.

| Current Test | RF_CPG | RF_CPP | RF_CPT | IF_CPP | IF_CPT |
|--------------|---------|--------|--------|--------|--------|
| RF Source | 0 to 15 | 0 | 0 | X | X |
| RF Sink | 0 to 15 | 1 | 0 | X | X |
| RF TRI-STATE | X | X | 1 | X | X |
| IF Source | X | X | X | 0 | 0 |
| IF Sink | X | X | X | 1 | 0 |
| IF TRI-STATE | X | X | X | X | 1 |

Charge Pump Current Specification Definitions



11 = Charge Pump Sink Current at $V_{CPout} = V_{CC} - \Delta V$

12 = Charge Pump Sink Current at $V_{CPout} = V_{CC}/2$

13 = Charge Pump Sink Current at $V_{CPout} = \Delta V$

14 = Charge Pump Source Current at $V_{CPout} = V_{CC} - \Delta V$

15 = Charge Pump Source Current at $V_{CPout} = V_{CC}/2$

16 = Charge Pump Source Current at $V_{CPout} = \Delta V$

ΔV = Voltage offset from the positive and negative supply rails. Defined to be 0.5 volts for this part.

V_{CPout} refers to either $V_{CPoutRF}$ or $V_{CPoutIF}$

I_{CPout} refers to either $I_{CPoutRF}$ or $I_{CPoutIF}$

Charge Pump Output Current Variation vs. Charge Pump Output Voltage

$$I_{CPout} \text{ Vs } V_{CPout} = \frac{(|11| - |13|)}{(|11| + |13|)} \times 100\%$$

$$= \frac{(|14| - |16|)}{(|14| + |16|)} \times 100\%$$

30013951

Charge Pump Sink Current vs. Charge Pump Output Source Current Mismatch

$$I_{CPout} \text{ Sink Vs } I_{CPout} \text{ Source} = \frac{||2| - |15||}{\frac{1}{2} (|12| + |15|)} \times 100\%$$

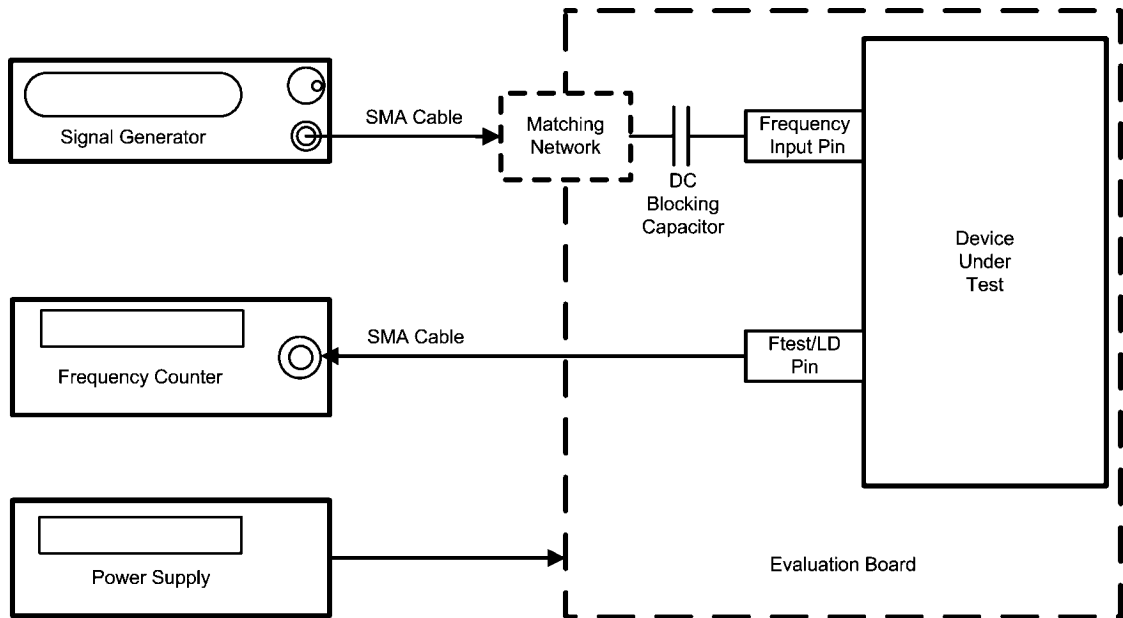
30013952

Charge Pump Output Current Variation vs. Temperature

$$I_{CPout} \text{ Vs } T_A = \frac{|I_2|_{T_A} - |I_2|_{T_A=25^\circ C}}{|I_2|_{T_A=25^\circ C}} \times 100\%$$

$$= \frac{|I_5|_{T_A} - |I_5|_{T_A=25^\circ C}}{|I_5|_{T_A=25^\circ C}} \times 100\%$$

30013953



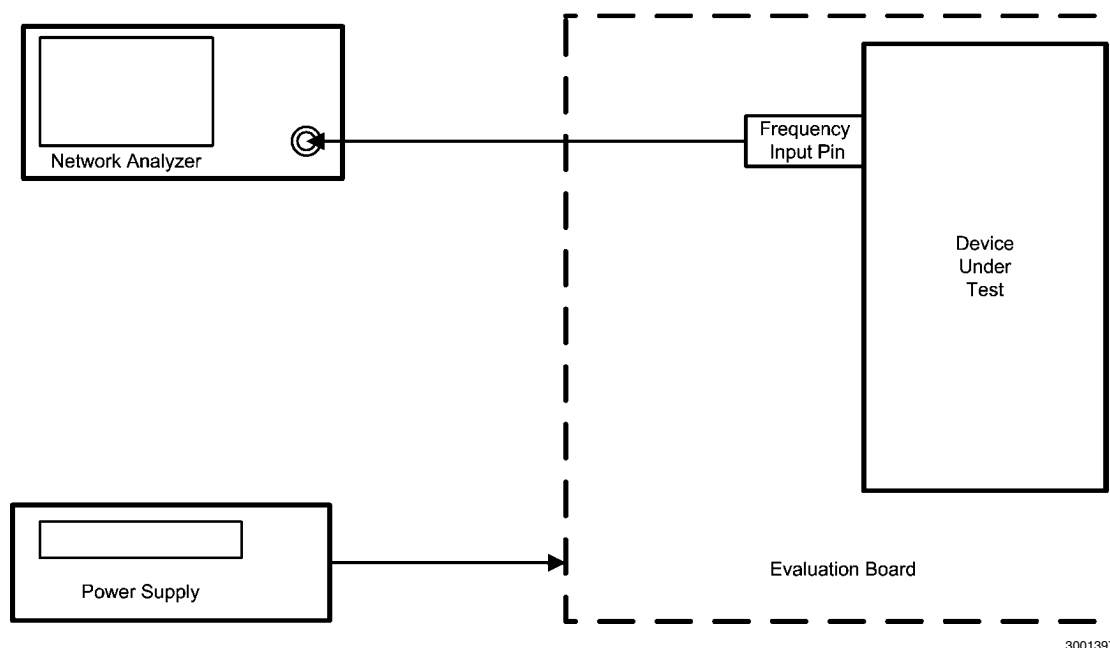
30013970

| Frequency Input Pin | DC Blocking Capacitor | Corresponding Counter | Default Counter Value | MUX Value |
|---------------------|-----------------------|-----------------------|-------------------------|-----------|
| OSCin | 1000 pF | RF_R / 2 | 50 | 14 |
| FinRF | 100 pF// 1000 pF | RF_N / 2 | 502 + 2097150 / 4194301 | 15 |
| FinIF | 100 pF | IF_N / 2 | 534 | 13 |
| OSCin | 1000 pF | IF_R / 2 | 50 | 12 |

Sensitivity Measurement Procedure

Sensitivity is defined as the power level limits beyond which the output of the counter being tested is off by 1 Hz or more of its expected value. It is typically measured over frequency, voltage, and temperature. In order to test sensitivity, the MUX[3:0] word is programmed to the appropriate value. The counter value is then programmed to a fixed value and a frequency counter is set to monitor the frequency of this pin. The expected frequency at the Ftest/LD pin should be the signal generator frequency divided by twice the corresponding counter value. The factor of two comes in because the LMX2487E has a flip-flop which divides this frequency by two to make the duty cycle 50% in order to make it easier to read with the frequency counter. The frequency counter input impedance should be set to high impedance. In order to perform the measurement, the temperature, frequency, and voltage is set to a fixed value and the power level of the signal is varied. Note that the power level at the part is assumed to be 4 dB less than the signal generator power level. This accounts for 1 dB for cable losses and 3 dB for the pad. The power level range where the frequency is correct at the Ftest/LD pin to within 1 Hz accuracy is recorded for the sensitivity limits. The temperature, frequency, and voltage can be varied in order to produce a family of sensitivity curves. Since this is an open-loop test, the charge pump is set to TRI-STATE and the unused side of the PLL (RF or IF) is powered down when not being tested. For this part, there are actually four frequency input pins, although there is only one frequency test pin (Ftest/LD). The conditions specific to each pin are shown in above table.

Note that for the RF N counter, a fourth order fractional modulator is used in 22-bit mode with a fraction of 2097150 / 4194301 is used. The reason for this long fraction is to test the RF N counter and supporting fractional circuitry as completely as possible.



30013971

Input Impedance Measurement Procedure

The above block diagram shows the test setup used for measuring the input impedance for the LMX2487E. The DC blocking capacitor used between the input SMA connector and the pin being measured must be changed to a zero Ohm resistor. This procedure applies to the FinRF, FinIF, and OSCin pins. The basic test procedure is to calibrate the network analyzer, ensure that the part is powered up, and then measure the input impedance. The network analyzer can be calibrated by using either calibration standards or by soldering resistors directly to the evaluation board. An open can be implemented by putting no resistor, a short can be implemented by soldering a zero ohm resistor as close as possible to the pin being measured, and a short can be implemented by soldering two 100 ohm resistors in parallel as close as possible to the pin being measured. Calibration is done with the PLL removed from the PCB. This requires the use of a clamp down fixture that may not always be generally available. If no clamp down fixture is available, then this procedure can be done by calibrating up to the point where the DC blocking capacitor usually is, and then implementing port extensions with the network analyzer. Zero ohm resistor is added back for the actual measurement. Once the setup is calibrated, it is necessary to ensure that the PLL is powered up. This can be done by toggling the power down bits (RF_PD and IF_PD) and observing that the current consumption indeed increases when the bit is disabled. Sometimes it may be necessary to apply a signal to the OSCin pin in order to program the part. If this is necessary, disconnect the signal once it is established that the part is powered up. It is useful to know the input impedance of the PLL for the purposes of debugging RF problems and designing matching networks. Another use of knowing this parameter is make the trace width on the PCB such that the input impedance of this trace matches the real part of the input impedance of the PLL frequency of operation. In general, it is good practice to keep trace lengths short and make designs that are relatively resistant to variations in the input impedance of the PLL.

Functional Description (Note 8)

1.0 GENERAL

The LMX2487E consists of integrated N counters, R counters, and charge pumps. The TCXO, VCO and loop filter are supplied external to the chip. The various blocks are described below.

1.1 TCXO, OSCILLATOR BUFFER, AND R COUNTER

The oscillator buffer must be driven single-ended by a signal source, such as a TCXO. The OSCout pin is included to provide a buffered output of this input signal and is active when the OSC_OUT bit is set to one. The ENOSC pin can be also pulled high to ensure that the OSCout pin is active, regardless of the status of the registers in the LMX2487E.

The R counter divides this TCXO frequency down to the comparison frequency.

1.2 PHASE DETECTOR

The maximum phase detector operating frequency for the IF PLL is straightforward, but it is a little more involved for the RF PLL since it is fractional. The maximum phase detector frequency for the LMX2487E RF PLL is 50 MHz. However, this is not possible in all circumstances due to illegal divide ratios of the N counter. The crystal reference frequency also limits the phase detector frequency, although the doubler helps with this limitation. There are trade-offs in choosing the phase detector frequency. If this frequency is run higher, then phase noise will be lower, but lock time may be increased due to cycle slipping and the capacitors in the loop filter may become rather large.

1.3 CHARGE PUMP

For the majority of the time, the charge pump output is high impedance, and the only current through this pin is the Tri-State leakage. However, it does put out fast correction pulses that have a width that is proportional to the phase error presented at the phase detector.

The charge pump converts the phase error presented at the phase detector into a correction current. The magnitude of this current is theoretically constant, but the duty cycle is proportional to the phase error. For the IF PLL, this current is not programmable, but for the RF PLL it is programmable in 16 steps. Also, the RF PLL allows for a higher charge pump current to be used when the PLL is locking in order to reduce the lock time.

1.4 LOOP FILTER

The loop filter design can be rather involved. In addition to the regular constraints and design parameters, delta-sigma PLLs have the additional constraint that the order of the loop filter should be one greater than the order of the delta sigma modulator. This rule of thumb comes from the requirement that the loop filter must roll off the delta sigma noise at 20 dB/decade faster than it rises. However, since the noise can not have infinite power, it must eventually roll off. If the loop bandwidth is narrow, this requirement may not be necessary. For the purposes of discussion in this datasheet, the pole of the loop filter at 0 Hz is not counted. So a second order filter has 3 components, a 3rd order loop filter has 5 components, and the 4th order loop filter has 7 components. Although a 5th order loop filter is theoretically necessary for use with a 4th order modulator, typically a 4th order filter is used in this case. The loop filter design, especially for higher orders can be rather involved, but there are many simulation tools and ref-

erences available, such as the one given at the end of the functional description block.

1.5 N COUNTERS AND HIGH FREQUENCY INPUT PINS

The N counter divides the VCO frequency down to the comparison frequency. Because prescalers are used, there are limitations on how small the N value can be. The N counters are discussed in greater depth in the programming section. Since the input pins to these counters (FinRF and FinIF) are high frequency, layout considerations are important.

High Frequency Input Pins, FinRF and FinIF

It is generally recommended that the VCO output go through a resistive pad and then through a DC blocking capacitor before it gets to these high frequency input pins. If the trace length is sufficiently short (< 1/10th of a wavelength), then the pad may not be necessary, but a series resistor of about 39 ohms is still recommended to isolate the PLL from the VCO. The DC blocking capacitor should be chosen at least to be 27 pF. It may turn out that the frequency is above the self-resonant frequency of the capacitor, but since the input impedance of the PLL tends to be capacitive, it actually is a benefit to exceed the tune frequency. The pad and the DC blocking capacitor should be placed as close to the PLL as possible

Complementary High Frequency Pin, FinRF*

These inputs may be used to drive the PLL differentially, but it is very common to drive the PLL in a single ended fashion. A shunt capacitor should be placed at the FinRF* pin. The value of this capacitor should be chosen such that the impedance, including the ESR of the capacitor, is as close to an AC short as possible at the operating frequency of the PLL. 100 pF is a typical value.

1.6 POWER PINS, POWER DOWN, AND POWER UP MODES

It is recommended that all of the power pins be filtered with a series 18 ohm resistor and then placing two capacitors shunt to ground, thus creating a low pass filter. Although it makes sense to use large capacitor values in theory, the ESR (Equivalent Series Resistance) is greater for larger capacitors. For optimal filtering minimize the sum of the ESR and theoretical impedance of the capacitor. It is therefore recommended to provide two capacitors of very different sizes for the best filtering. 1 μ F and 100 pF are typical values. The small capacitor should be placed as close as possible to the pin.

The power down state of the LMX2487E is controlled by many factors. The one factor that overrides all other factors is the CE pin. If this pin is low, the part will be powered down. Asserting a high logic level on this pin is necessary to power up the chip, however, there are other bits in the programming registers that can override this and put the PLL back in a power down state. Provided that the voltage on the CE pin is high, programming the RF_PD and IF_PD bits to zero guarantees that the part will be powered up. Programming either one of these bits to one will power down the appropriate section of the synthesizer, provided that the ATPU bit does not override this.

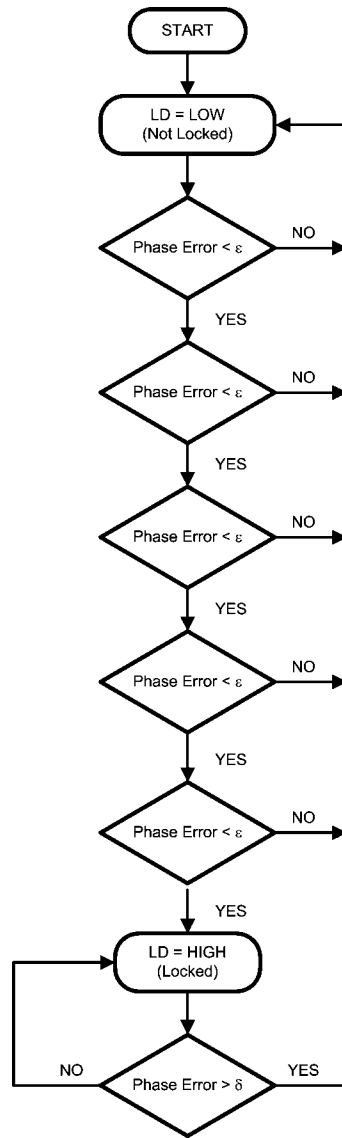
| CE Pin | RF_PD | ATPU Bit Enabled + Write to RF N Counter | PLL State |
|--------|-------|--|-----------------------------|
| Low | X | X | Powered Down (Asynchronous) |
| High | X | Yes | Powered Up |
| High | 0 | No | Powered Up |
| High | 1 | No | Powered Down (Asynchronous) |

1.7 DIGITAL LOCK DETECT OPERATION

The RF PLL digital lock detect circuitry compares the difference between the phase of the inputs of the phase detector to a RC generated delay of ϵ . To indicate a locked state (Lock = HIGH) the phase error must be less than the ϵ RC delay for 5 consecutive reference cycles. Once in lock (Lock = HIGH), the RC delay is changed to approximately δ . To indicate an out of lock state (Lock = LOW), the phase error must become greater δ . The values of ϵ and δ are dependent on which PLL is used and are shown in the table below:

| PLL | ϵ | δ |
|-----|------------|----------|
| RF | 10 ns | 20 ns |
| IF | 15 ns | 30 ns |

When the PLL is in the power down mode and the Ftest/LD pin is programmed for the lock detect function, it is forced LOW. The accuracy of this circuit degrades at higher comparison frequencies. To compensate for this, the DIV4 word should be set to one if the comparison frequency exceeds 20 MHz. The function of this word is to divide the comparison frequency presented to the lock detect circuit by 4. Note that if the MUX[3:0] word is set such as to view lock detect for both PLLs, an unlocked (LOW) condition is shown whenever either one of the PLLs is determined to be out of lock.



30013904

1.8 CYCLE SLIP REDUCTION AND FASTLOCK

The LMX2487E offers both cycle slip reduction (CSR) and Fastlock with timeout counter support. This means that it requires no additional programming overhead to use them. It is generally recommended that the charge pump current in the steady state be 8X or less in order to use cycle slip reduction, and 4X or less in steady state in order to use Fastlock. The next step is to decide between using Fastlock or CSR. This determination can be made based on the ratio of the comparison frequency (f_{COMP}) to loop bandwidth (BW).

| Comparison Frequency (f_{COMP}) | Fastlock | Cycle Slip Reduction (CSR) |
|-------------------------------------|----------------------------|---|
| $f_{COMP} \leq 1.25$ MHz | Noticeable better than CSR | Likely to provide a benefit, provided that $f_{COMP} > 100 \times BW$ |
| 1.25 MHz $< f_{COMP} \leq 2$ MHz | Marginally better than CSR | |
| $f_{COMP} > 2$ MHz | Same or worse than CSR | |

Cycle Slip Reduction (CSR)

Cycle slip reduction works by reducing the comparison frequency during frequency acquisition while keeping the same loop bandwidth, thereby reducing the ratio of the comparison frequency to the loop bandwidth. In cases where the ratio of the comparison frequency exceeds about 100 times the loop bandwidth, cycle slipping can occur and significantly degrade lock times. The greater this ratio, the greater the benefit of CSR. This is typically the case of high comparison frequencies. In circumstances where there is not a problem with cycle slipping, CSR provides no benefit. There is a glitch when CSR is disengaged, but since CSR should be disengaged long before the PLL is actually in lock, this glitch is not an issue. A good rule of thumb for CSR disengagement is to do this at the peak time of the transient response. Because this time is typically much sooner than Fastlock should be disengaged, it does not make sense to use CSR and Fastlock in combination.

Fastlock

Fastlock works by increasing the loop bandwidth only during frequency acquisition. In circumstances where the comparison frequency is less than or equal to 2 MHz, Fastlock may provide a benefit beyond what CSR can offer. Since Fastlock also reduces the ratio of the comparison frequency to the loop bandwidth, it may provide a significant benefit in cases where the comparison frequency is above 2 MHz. However, CSR can usually provide an equal or larger benefit in these cases, and can be implemented without using an additional resistor. The reason for this restriction on frequency is that Fastlock has a glitch when it is disengaged. As the time of engagement for Fastlock decreases and becomes on the order of the fast lock time, this glitch grows and limits the benefits of Fastlock. This effect becomes worse at higher comparison frequencies. There is always the option of reducing the comparison frequency at the expense of phase noise in order to satisfy this constraint on comparison frequency. Despite this glitch, there is still a net improvement in lock time using Fastlock in these circumstances. When using Fastlock, it is also recommended that the steady state charge pump state be 4X or less. Also, Fastlock was originally intended only for second order filters, so when implementing it with higher order filters, the third and fourth poles can not be too close in, or it will not be possible to keep the loop filter well optimized when the higher charge pump current and Fastlock resistor are engaged.

1.8.1 Using Cycle Slip Reduction (CSR) to Avoid Cycle Slipping

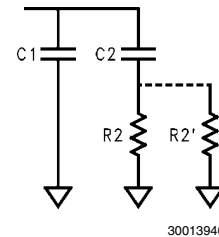
Once it is decided that CSR is to be used, the cycle slip reduction factor needs to be chosen. The available factors are 1/2, 1/4, and 1/16. In order to preserve the same loop characteristics, it is recommended that the following constraint be satisfied:

$$\text{(Fastlock Charge Pump Current) / (Steady State Charge Pump Current) = CSR}$$

In order to satisfy this constraint, the maximum charge pump current in steady state is 8X for a CSR of 1/2, 4X for a CSR of 1/4, and 1X for a CSR of 1/16. Because the PLL phase noise is better for higher charge pump currents, it makes sense to choose CSR only as large as necessary to prevent cycle slipping. Choosing it larger than this will not improve lock time, and will result in worse phase noise.

Consider an example where the desired loop bandwidth in steady state is 100 kHz and the comparison frequency is 20 MHz. This yields a ratio of 200. Cycle slipping may be present, but would not be too severe if it was there. If a CSR factor of 1/2 is used, this would reduce the ratio to 100 during frequency acquisition, which is probably sufficient. A charge pump current of 8X could be used in steady state, and a factor of 16X could be used during frequency acquisition. This yields a ratio of 1/2, which is equal to the CSR factor and this satisfies the above constraint. In this circumstance, it could also be decided to just use 16X charge pump current all the time, since it would probably have better phase noise, and the degradation in lock time would not be too severe.

1.8.2 Using Fastlock to Improve Lock Times



Once it is decided that Fastlock is to be used, the loop bandwidth multiplier, K, is needed in order to determine the theoretical impact of Fastlock on the loop bandwidth and the resistor value, R2p, that is switched in parallel during Fastlock. This ratio is calculated as follows:

$$K = \text{(Fastlock Charge Pump Current) / (Steady State Charge Pump Current)}$$

| K | Loop Bandwidth | R2p Value | Lock Time |
|----|----------------|-----------|-----------|
| 1 | 1.00 X | Open | 100 % |
| 2 | 1.41 X | R2/0.41 | 71 % |
| 3 | 1.73 X | R2/0.73 | 58% |
| 4 | 2.00 X | R2 | 50% |
| 8 | 2.83 X | R2/1.83 | 35% |
| 9 | 3.00 X | R2/2 | 33% |
| 16 | 4.00 X | R2/3 | 25% |

The above table shows how to calculate the fastlock resistor and theoretical lock time improvement, once the ratio, K, is known. This all assumes a second order filter (not counting the pole at 0 Hz). However, it is generally recommended that the loop filter order be one greater than the order of the delta sigma modulator, which means that a second order filter is

never recommended. In this case, the value for R2p is typically about 80% of what it would be for a second order filter. Because the fastlock disengagement glitch gets larger and it is harder to keep the loop filter optimized as the K value becomes larger, designing for the largest possible value for K usually, but not always yields the best improvement in lock time. To get a more accurate estimate requires more simulation tools, or trial and error.

1.8.3 Capacitor Dielectric Considerations for Lock Time

The LMX2487E has a high fractional modulus and high charge pump gain for the lowest possible phase noise. One consideration is that the reduced N value and higher charge pump may cause the capacitors in the loop filter to become larger in value. For larger capacitor values, it is common to have a trade-off between capacitor dielectric quality and physical size. Using film capacitors or NPO/COG capacitors yields the best possible lock times, where as using X7R or Z5R capacitors can increase lock time by 0 – 500%. However, it is a general tendency that designs that use a higher compare frequency tend to be less sensitive to the effects of capacitor dielectrics. Although the use of lesser quality dielectric capacitors may be unavoidable in many circumstances, allowing a larger footprint for the loop filter capacitors, using a lower charge pump current, and reducing the fractional modulus are all ways to reduce capacitor values. Capacitor dielectrics have very little impact on phase noise and spurs.

1.9 FRACTIONAL SPUR AND PHASE NOISE CONTROLS

Control of the fractional spurs is more of an art than an exact science. The first differentiation that needs to be made is between primary fractional and sub-fractional spurs. The primary fractional spurs are those that occur at increments of the channel spacing only. The sub-fractional spurs are those that occur at a smaller resolution than the channel spacing, usu-

Note 8: For more information concerning delta-sigma PLLs, loop filter design, cycle slip reduction, Fastlock, and many other topics, visit wireless.national.com. Here there is the EasyPLL simulation tool and an online reference called "PLL Performance, Simulation, and Design", by Dean Banerjee.

ally one-half or one-fourth. There are trade-offs between fractional spurs, sub-fractional spurs, and phase noise. The rules of thumb presented in this section are just that. There will be exceptions. The bits that impact the fractional spurs are FM and DITH, and these bits should be set in this order.

The first step to do is choose FM, for the delta sigma modulator order. It is recommended to start with FM = 3 for a third order modulator and use strong dithering. In general, there is a trade-off between primary and sub-fractional spurs. Choosing the highest order modulator (FM = 0 for 4th order) typically provides the best primary fractional spurs, but the worst sub-fractional spurs. Choosing the lowest modulator order (FM = 2 for 2nd order), typically gives the worst primary fractional spurs, but the best sub-fractional spurs. Choosing FM = 3, for a 3rd order modulator is a compromise.

The second step is to choose DITH, for dithering. Dithering has a very small impact on primary fractional spurs, but a much larger impact on sub-fractional spurs. The only problem is that it can add a few dB of phase noise, or even more if the loop bandwidth is very wide. Disabling dithering (DITH = 0), provides the best phase noise, but the sub-fractional spurs are worst (except when the fractional numerator is 0, and in this case, they are the best). Choosing strong dithering (DITH = 2) significantly reduces sub-fractional spurs, if not eliminating them completely, but adds the most phase noise. Weak dithering (DITH = 1) is a compromise.

The third step is to tinker with the fractional word. Although 1/10 and 400/4000 are mathematically the same, expressing fractions with much larger fractional numerators often improve the fractional spurs. Increasing the fractional denominator only improves spurs to a point. A good practical limit could be to keep the fractional denominator as large as possible, but not to exceed 4095, so it is not necessary to use the extended fractional numerator or denominator.

Programming Description

2.0 GENERAL PROGRAMMING INFORMATION

The 24-bit data registers are loaded through a MICROWIRE Interface. These data registers are used to program the R counter, the N counter, and the internal mode control latches. The data format of a typical 24-bit data register is shown below. The control bits CTL [3:0] decode the register address. On the rising edge of LE, data stored in the shift register is loaded into one of the appropriate latches (selected by address bits). Data is shifted in MSB first. Note that it is best to program the N counter last, since doing so initializes the digital lock detector and Fastlock circuitry. Note that initialize means it resets the counters, but it does NOT program values into these registers. The exception is when 22-bit is not being used. In this case, it is not necessary to program the R7 register.

| MSB | | LSB | | |
|-------------|---|-----------|---|-----|
| DATA [21:0] | | CTL [3:0] | | |
| 23 | 4 | 3 | 2 | 1 0 |

2.0.1 Register Location Truth Table

The control bits CTL [3:0] decode the internal register address. The table below shows how the control bits are mapped to the target control register.

| C3 | C2 | C1 | C0 | DATA Location |
|----|----|----|----|---------------|
| x | x | x | 0 | R0 |
| 0 | 0 | 1 | 1 | R1 |
| 0 | 1 | 0 | 1 | R2 |
| 0 | 1 | 1 | 1 | R3 |
| 1 | 0 | 0 | 1 | R4 |
| 1 | 0 | 1 | 1 | R5 |
| 1 | 1 | 0 | 1 | R6 |
| 1 | 1 | 1 | 1 | R7 |

2.0.2 Control Register Content Map

Because the LMX2487E registers are complicated, they are organized into two groups, basic and advanced. The first four registers are basic registers that contain critical information necessary for the PLL to achieve lock. The last 5 registers are for features that optimize spur, phase noise, and lock time performance. The next page shows these registers.

Quick Start Register Map

Although it is highly recommended that the user eventually take advantage of all the modes of the LMX2487E, the quick start register map is shown in order for the user to get the part up and running quickly using only those bits critical for basic functionality. The following default conditions for this programming state are a third order delta-sigma modulator in 12-bit mode with no dithering and no Fastlock.

| | | | | | | | | | | | | | | | | | | | | | | | | | |
|-----|--|------------|-----------|----|-------------|----|----|-------------|------------|----|-------------|----|----|----|---|---|---|---|---|---|----|----|----|----|---|
| REG | 23 | 22 | 21 | 20 | 19 | 18 | 17 | 16 | 15 | 14 | 13 | 12 | 11 | 10 | 9 | 8 | 7 | 6 | 5 | 4 | 3 | 2 | 1 | 0 | |
| | DATA[19:0] (Except for the RF_N Register, which is [22:0]) | | | | | | | | | | | | | | | | | | | | C3 | C2 | C1 | C0 | |
| R0 | RF_N[10:0] | | | | | | | | | | RF_FN[11:0] | | | | | | | | | | | | | | 0 |
| R1 | RF_PD | RF_P | RF_R[5:0] | | | | | RF_FD[11:0] | | | | | | | | | | 0 | 0 | 1 | 1 | | | | |
| R2 | IF_PD | IF_N[18:0] | | | | | | | | | | | | | | | | | | 0 | 1 | 0 | 1 | | |
| R3 | 0001 | | | | RF_CPG[3:0] | | | | IF_R[11:0] | | | | | | | | | | 0 | 1 | 1 | 1 | | | |
| R4 | 0 | 0 | 1 | 0 | 0 | 0 | 0 | 0 | 1 | 1 | 0 | 0 | 0 | 1 | 1 | 1 | 0 | 0 | 0 | 0 | 1 | 0 | 0 | 1 | |

Complete Register Map

The complete register map shows all the functionality of all registers, including the last five.

| | | | | | | | | | | | | | | | | | | | | | | | | | |
|-----|--|------------|-------------|----|-------------|----|--------------|-------------|------------|------|--------------|---------|--------|--------|------|-----------|--------|--------|--------|---|----|----|----|----|---|
| REG | 23 | 22 | 21 | 20 | 19 | 18 | 17 | 16 | 15 | 14 | 13 | 12 | 11 | 10 | 9 | 8 | 7 | 6 | 5 | 4 | 3 | 2 | 1 | 0 | |
| | DATA[19:0] (Except for the RF_N Register, which is [22:0]) | | | | | | | | | | | | | | | | | | | | C3 | C2 | C1 | C0 | |
| R0 | RF_N[10:0] | | | | | | | | | | RF_FN[11:0] | | | | | | | | | | | | | | 0 |
| R1 | RF_PD | RF_P | RF_R[5:0] | | | | | RF_FD[11:0] | | | | | | | | | | 0 | 0 | 1 | 1 | | | | |
| R2 | IF_PD | IF_N[18:0] | | | | | | | | | | | | | | | | | | 0 | 1 | 0 | 1 | | |
| R3 | ACCESS[3:0] | | | | RF_CPG[3:0] | | | | IF_R[11:0] | | | | | | | | | | 0 | 1 | 1 | 1 | | | |
| R4 | ATPU | 0 | 1 | 0 | 0 | 0 | DITH [1:0] | | FM [1:0] | 0 | OSC_2X | OSC_OUT | IF_CPP | RF_CPP | IF_P | MUX [3:0] | | | 1 | 0 | 0 | 1 | | | |
| R5 | RF_FD[21:12] | | | | | | | | | | RF_FN[21:12] | | | | | | | | | | 1 | 0 | 1 | 1 | |
| R6 | CSR[1:0] | | RF_CPF[3:0] | | | | RF_TOC[13:0] | | | | | | | | | | | | | 1 | 1 | 0 | 1 | | |
| R7 | 0 | 0 | 0 | 0 | 0 | 0 | 0 | 0 | 0 | DIV4 | 0 | 1 | 0 | 0 | 1 | IF_RST | RF_RST | IF_CPT | RF_CPT | 1 | 1 | 1 | 1 | | |

2.1 R0 REGISTER

Note that this register has only one control bit, so the N counter value to be changed with a single write statement to the PLL.

| | | | | | | | | | | | | | | | | | | | | | | | | |
|----------|------------|----|----|----|----|----|----|----|----|----|----|-------------|----|----|---|---|---|---|---|---|---|---|---|----|
| REGISTER | 23 | 22 | 21 | 20 | 19 | 18 | 17 | 16 | 15 | 14 | 13 | 12 | 11 | 10 | 9 | 8 | 7 | 6 | 5 | 4 | 3 | 2 | 1 | 0 |
| | DATA[22:0] | | | | | | | | | | | | | | | | | | | | | | | C0 |
| R0 | RF_N[10:0] | | | | | | | | | | | RF_FN[11:0] | | | | | | | | | | | 0 | |

2.1.1 RF_FN[11:0] -- Fractional Numerator for RF PLL

Refer to section 2.6.1 for a more detailed description of this control word.

2.1.2 RF_N[10:0] -- RF N Counter Value

The RF N counter contains an 16/17/20/21 and a 32/33/36/37 prescaler. The N counter value can be calculated as follows:

$$N = RF_P \cdot RF_C + 4 \cdot RF_B + RF_A$$

$RF_C \geq \text{Max}\{RF_A, RF_B\}$, for $N-2^{FM}-1 \dots N+2^{FM}$ is a necessary condition. This rule is slightly modified in the case where the RF_B counter has an unused bit, where this extra bit is used by the delta-sigma modulator for the purposes of modulation. Consult the tables below for valid operating ranges for each prescaler.

Operation with the 16/17/20/21 Prescaler (RF_P=0)

| RF_N | RF_N [10:0] | | | | | | | | | | |
|-------|---|---|---|---|---|------------|---|---|------------|---|---|
| | RF_C [5:0] | | | | | RF_B [2:0] | | | RF_A [1:0] | | |
| <49 | N Values Below 49 are Illegal. | | | | | | | | | | |
| 49-63 | Legal Divide Ratios are: 2nd Order Modulator: 49-61 3rd Order Modulator: 51-59 4th Order Modulator: 55 | | | | | | | | | | |
| 64-79 | Legal Divide Ratios are: 2nd and 3rd Order Modulator: All 4th Order Modulator: 64-75 | | | | | | | | | | |
| 80 | 0 | 0 | 0 | 1 | 0 | 1 | 0 | 0 | 0 | 0 | 0 |
| ... | . | . | . | . | . | . | 0 | . | . | . | . |
| 1023 | 1 | 1 | 1 | 1 | 1 | 1 | 0 | 1 | 1 | 1 | 1 |
| >1023 | N values above 1023 are prohibited. | | | | | | | | | | |

Operation with the 32/33/36/37 Prescaler (RF_P=1)

| RF_N | RF_N [10:0] | | | | | | | | | | |
|-----------|--|---|---|---|---|------------|---|---|------------|---|---|
| | RF_C [5:0] | | | | | RF_B [2:0] | | | RF_A [1:0] | | |
| <97 | N Values Below 97 are Illegal. | | | | | | | | | | |
| 97-226 | Legal Divide Ratios are: 2nd Order Modulator: 97-109, 129-145, 161-181, 193-217, 225-226 3rd Order Modulator: 99-107, 131-143, 163-179, 195-215 4th Order Modulator: 103, 135-139, 167-175, 199-211 | | | | | | | | | | |
| 227--230 | Legal Divide Ratios are: 2nd and 3rd Order Modulator: All 4th Order Modulator: None | | | | | | | | | | |
| 231 | 0 | 0 | 0 | 1 | 1 | 1 | 0 | 0 | 1 | 1 | 1 |
| ... | . | . | . | . | . | . | . | . | . | . | . |
| 2039 | 1 | 1 | 1 | 1 | 1 | 1 | 1 | 0 | 1 | 1 | 1 |
| 2040-2043 | Possible with a second or third order delta-sigma engine. | | | | | | | | | | |
| 2044-2045 | Possible only with a second order delta-sigma engine. | | | | | | | | | | |
| >2045 | N values greater than 2045 are prohibited. | | | | | | | | | | |

2.2 R1 REGISTER

| | | | | | | | | | | | | | | | | | | | | | | | | |
|----------|------------|------|-----------|----|----|----|----|-------------|----|----|----|----|----|----|---|---|---|---|---|---|----|----|----|----|
| REGISTER | 23 | 22 | 21 | 20 | 19 | 18 | 17 | 16 | 15 | 14 | 13 | 12 | 11 | 10 | 9 | 8 | 7 | 6 | 5 | 4 | 3 | 2 | 1 | 0 |
| | DATA[19:0] | | | | | | | | | | | | | | | | | | | | C3 | C2 | C1 | C0 |
| R1 | RF_PD | RF_P | RF_R[5:0] | | | | | RF_FD[11:0] | | | | | | | | | | | 0 | 0 | 1 | 1 | | |

2.2.1 RF_FD[11:0] -- RF PLL Fractional Denominator

The function of these bits are described in section 2.6.2.

2.2.2 RF_R [5:0] -- RF R Divider Value

The RF R Counter value is determined by this control word. Note that this counter does allow values down to one.

| R Value | RF_R[5:0] | | | | | |
|---------|-----------|---|---|---|---|---|
| 1 | 0 | 0 | 0 | 0 | 0 | 1 |
| ... | . | . | . | . | . | . |
| 63 | 1 | 1 | 1 | 1 | 1 | 1 |

2.2.3 RF_P -- RF Prescaler bit

The prescaler used is determined by this bit.

| RF_P | Prescaler | Maximum Frequency |
|------|-------------|-------------------|
| 0 | 16/17/20/21 | 4000 MHz |
| 1 | 32/33/36/37 | 6000 MHz |

2.2.4 RF_PD -- RF Power Down Control Bit

When this bit is set to 0, the RF PLL operates normally. When it is set to one, the RF PLL is powered down and the RF Charge pump is set to a TRI-STATE mode. The CE pin and ATPU bit also control power down functions, and will override the RF_PD bit. The order of precedence is as follows. First, if the CE pin is LOW, then the PLL will be powered down. Provided this is not the case, the PLL will be powered up if the ATPU bit says to do so, regardless of the state of the RF_PD bit. After the CE pin and the ATPU bit are considered, then the RF_PD bit then takes control of the power down function for the RF PLL.

2.3 R2 REGISTER

| | | | | | | | | | | | | | | | | | | | | | | | | |
|----------|------------|------------|----|----|----|----|----|----|----|----|----|----|----|----|---|---|---|---|---|---|----|----|----|----|
| REGISTER | 23 | 22 | 21 | 20 | 19 | 18 | 17 | 16 | 15 | 14 | 13 | 12 | 11 | 10 | 9 | 8 | 7 | 6 | 5 | 4 | 3 | 2 | 1 | 0 |
| | DATA[19:0] | | | | | | | | | | | | | | | | | | | | C3 | C2 | C1 | C0 |
| R2 | IF_PD | IF_N[18:0] | | | | | | | | | | | | | | | | | | | 0 | 1 | 0 | 1 |

2.3.1 IF_N[18:0] -- IF N Divider Value

IF_N Counter Programming with the 8/9 Prescaler (IF_P=0)

| N Value | IF_N[18:0] | | | | | | | | | | | | | | | | | | |
|---------|--|---|---|---|---|---|---|---|---|---|---|---|---|---|---|------|---|---|---|
| | IF_B | | | | | | | | | | | | | | | IF_A | | | |
| ≤23 | N values less than or equal to 23 are prohibited because IF_B ≥ 3 is required. | | | | | | | | | | | | | | | | | | |
| 24-55 | Legal divide ratios in this range are: 24-27, 32-36, 40-45, 48-54 | | | | | | | | | | | | | | | | | | |
| 56 | 0 | 0 | 0 | 0 | 0 | 0 | 0 | 0 | 0 | 0 | 0 | 0 | 1 | 1 | 1 | 0 | 0 | 0 | 0 |
| 57 | 0 | 0 | 0 | 0 | 0 | 0 | 0 | 0 | 0 | 0 | 0 | 0 | 1 | 1 | 1 | 0 | 0 | 0 | 1 |
| ... | . | . | . | . | . | . | . | . | . | . | . | . | . | . | . | . | . | . | . |
| 262143 | 1 | 1 | 1 | 1 | 1 | 1 | 1 | 1 | 1 | 1 | 1 | 1 | 1 | 1 | 1 | 0 | 1 | 1 | 1 |

Operation with the 16/17 Prescaler (IF_P=1)

| N Value | IF_N[18:0] | | | | | | | | | | | | | | | | | | |
|---------|---|---|---|---|---|---|---|---|---|---|---|---|---|---|---|------|---|---|---|
| | IF_B | | | | | | | | | | | | | | | IF_A | | | |
| ≤47 | N values less than or equal to 47 are prohibited because IF_B ≥ 3 is required. | | | | | | | | | | | | | | | | | | |
| 48-239 | Legal divide ratios in this range are: 48-51, 64-68, 80-85, 96-102, 112-119, 128-136, 144-153, 160-170, 176-187, 192-204, 208-221, 224-238 | | | | | | | | | | | | | | | | | | |
| 240 | 0 | 0 | 0 | 0 | 0 | 0 | 0 | 0 | 0 | 0 | 0 | 1 | 1 | 1 | 1 | 0 | 0 | 0 | 0 |
| 241 | 0 | 0 | 0 | 0 | 0 | 0 | 0 | 0 | 0 | 0 | 0 | 1 | 1 | 1 | 1 | 0 | 0 | 0 | 1 |
| ... | . | . | . | . | . | . | . | . | . | . | . | . | . | . | . | . | . | . | . |
| 524287 | 1 | 1 | 1 | 1 | 1 | 1 | 1 | 1 | 1 | 1 | 1 | 1 | 1 | 1 | 1 | 1 | 1 | 1 | 1 |

2.3.4 IF_PD -- IF Power Down Bit

When this bit is set to 0, the IF PLL operates normally. When it is set to 1, the IF PLL powers down and the output of the IF PLL charge pump is set to a TRI-STATE mode. If the ATPU bit is set and register R0 is written to, the IF_PD will be reset to 0 and the IF PLL will be powered up. If the CE pin is held low, the IF PLL will be powered down, overriding the IF_PD bit.

2.4 R3 REGISTER

| REGISTER | 23 | 22 | 21 | 20 | 19 | 18 | 17 | 16 | 15 | 14 | 13 | 12 | 11 | 10 | 9 | 8 | 7 | 6 | 5 | 4 | 3 | 2 | 1 | 0 |
|----------|-------------|----|----|----|-------------|----|----|----|------------|----|----|----|----|----|---|---|---|---|---|---|----|----|----|----|
| | DATA[19:0] | | | | | | | | | | | | | | | | | | | | C3 | C2 | C1 | C0 |
| R3 | ACCESS[3:0] | | | | RF_CPG[3:0] | | | | IF_R[11:0] | | | | | | | | | | | | 0 | 1 | 1 | 1 |

2.4.1 IF_R[11:0] -- IF R Divider Value

For the IF R divider, the R value is determined by the IF_R[11:0] bits in the R3 register. The minimum value for IF_R is 3.

| R Value | IF_R[11:0] | | | | | | | | | | | | |
|---------|------------|---|---|---|---|---|---|---|---|---|---|---|---|
| 3 | 0 | 0 | 0 | 0 | 0 | 0 | 0 | 0 | 0 | 0 | 0 | 1 | 1 |
| ... | . | . | . | . | . | . | . | . | . | . | . | . | . |
| 4095 | 1 | 1 | 1 | 1 | 1 | 1 | 1 | 1 | 1 | 1 | 1 | 1 | 1 |

2.4.2 RF_CPG -- RF PLL Charge Pump Gain

This is used to control the magnitude of the RF PLL charge pump in steady state operation.

| RF_CPG | Charge Pump State | Typical RF Charge Pump Current at 3 Volts (µA) |
|--------|-------------------|--|
| 0 | 1X | 95 |
| 1 | 2X | 190 |
| 2 | 3X | 285 |
| 3 | 4X | 380 |
| 4 | 5X | 475 |
| 5 | 6X | 570 |
| 6 | 7X | 665 |
| 7 | 8X | 760 |
| 8 | 9X | 855 |
| 9 | 10X | 950 |
| 10 | 11X | 1045 |
| 11 | 12X | 1140 |
| 12 | 13X | 1235 |
| 13 | 14X | 1330 |
| 14 | 15X | 1425 |
| 15 | 16X | 1520 |

2.4.3 ACCESS -- Register Access word

It is mandatory that the first 5 registers R0-R4 be programmed. The programming of registers R5-R7 is optional. The ACCESS [3:0] bits determine which additional registers need to be programmed. Any one of these registers can be individually programmed. According to the table below, when the state of a register is in default mode, all the bits in that register are forced to a default state and it is not necessary to program this register. When the register is programmable, it needs to be programmed through the MICROWIRE. Using this register access technique, the programming required is reduced up to 37%.

| ACCESS Bit | Register Location | Register Controlled |
|------------|-------------------|---------------------|
| ACCESS[0] | R3[20] | Must be set to 1 |
| ACCESS[1] | R3[21] | R5 |
| ACCESS[2] | R3[22] | R6 |
| ACCESS[3] | R3[23] | R7 |

The default conditions the registers is shown below:

| Register | 23 | 22 | 21 | 20 | 19 | 18 | 17 | 16 | 15 | 14 | 13 | 12 | 11 | 10 | 9 | 8 | 7 | 6 | 5 | 4 | 3 | 2 | 1 | 0 |
|-----------|---------------------------------|----|----|----|----|----|----|----|----|----|----|----|----|----|---|---|---|---|---|---|-----------|-----------|-----------|-----------|
| | Data[19:0] | | | | | | | | | | | | | | | | | | | | C3 | C2 | C1 | C0 |
| R4 | R4 Must be programmed manually. | | | | | | | | | | | | | | | | | | | | | | | |
| R5 | 0 | 0 | 0 | 0 | 0 | 0 | 0 | 0 | 0 | 0 | 0 | 0 | 0 | 0 | 0 | 0 | 0 | 0 | 0 | 0 | 1 | 0 | 1 | 1 |
| R6 | 0 | 0 | 0 | 0 | 0 | 0 | 0 | 0 | 0 | 0 | 0 | 0 | 0 | 0 | 0 | 0 | 0 | 0 | 0 | 0 | 1 | 1 | 0 | 1 |
| R7 | 0 | 0 | 0 | 0 | 0 | 0 | 0 | 0 | 0 | 0 | 0 | 0 | 1 | 0 | 0 | 1 | 0 | 0 | 0 | 0 | 1 | 1 | 1 | 1 |

This corresponds to the following bit settings.

| Register | Bit Location | Bit Name | Bit Description | Bit Value | Bit State |
|----------|--------------|--------------|---------------------------------|-----------|------------------------------|
| R4 | R4[23] | ATPU | Autopowerup | 0 | Disabled |
| | R4[17:16] | DITH | Dithering | 2 | Strong |
| | R4[15:16] | FM | Modulator Order | 3 | 3rd Order |
| | R4[23] | OSC_2X | Oscillator Doubler | 0 | Disabled |
| | R4[23] | OSC_OUT | OSCOut Pin Enable | 0 | Disabled |
| | R4[23] | IF_CPP | IF Charge Pump Polarity | 1 | Positive |
| | R4[23] | RF_CPP | RF Charge Pump Polarity | 1 | Positive |
| | R4[23] | IF_P | IF PLL Prescaler | 1 | 16/17 |
| | R4[7:4] | MUX | Ftest/LD Output | 0 | Disabled |
| R5 | R5[23:14] | RF_FD[21:12] | Extended Fractional Denominator | 0 | Disabled |
| | R5[13:4] | RF_FN[21:12] | Extended Fractional Numerator | 0 | Disabled |
| R6 | R6[23:22] | CSR | Cycle Slip Reduction | 0 | Disabled |
| | R6[21:18] | RF_CPF | Fastlock Charge Pump Current | 0 | Disabled |
| | R6[17:4] | RF_TOC | RF Timeout Counter | 0 | Disabled |
| R7 | R7[13] | DIV4 | Lock Detect Adjustment | 0 | Disabled (Fcomp ≤ 20 MHz) |
| | R7[7] | IF_RST | IF PLL Counter Reset | 0 | Disabled |
| | R7[6] | RF_RST | RF PLL Counter Reset | 0 | Disabled |
| | R7[5] | IF_CPT | IF PLL Tri-State | 0 | Disabled |
| | R7[4] | RF_CPT | RF PLL Tri-State | 0 | Disabled |

2.5 R4 REGISTER

This register controls the conditions for the RF PLL in Fastlock.

| REGISTER | 23 | 22 | 21 | 20 | 19 | 18 | 17 | 16 | 15 | 14 | 13 | 12 | 11 | 10 | 9 | 8 | 7 | 6 | 5 | 4 | 3 | 2 | 1 | 0 |
|----------|------------|----|----|----|----|----|---------------|-------------|----|------------|-------------|------------|------------|------|--------------|---|---|---|---|---|----|----|----|----|
| | DATA[19:0] | | | | | | | | | | | | | | | | | | | | C3 | C2 | C1 | C0 |
| R4 | ATPU | 0 | 1 | 0 | 0 | 0 | DITH [1:0] | FM [1:0] | 0 | OSC_ 2X | OSC_ OUT | IF_ CPP | RF_ CPP | IF_P | MUX [3:0] | 1 | 0 | 0 | 1 | | | | | |

2.5.1 MUX[3:0] Frequency Out & Lock Detect MUX

These bits determine the output state of the Ftest/LD pin.

| MUX[3:0] | | | | Output Type | Output Description |
|----------|---|---|---|----------------|--|
| 0 | 0 | 0 | 0 | High Impedance | Disabled |
| 0 | 0 | 0 | 1 | Push-Pull | General purpose output, Logical "High" State |
| 0 | 0 | 1 | 0 | Push-Pull | General purpose output, Logical "Low" State |
| 0 | 0 | 1 | 1 | Push-Pull | RF & IF Digital Lock Detect |
| 0 | 1 | 0 | 0 | Push-Pull | RF Digital Lock Detect |
| 0 | 1 | 0 | 1 | Push-Pull | IF Digital Lock Detect |
| 0 | 1 | 1 | 0 | Open Drain | RF & IF Analog Lock Detect |
| 0 | 1 | 1 | 1 | Open Drain | RF Analog Lock Detect |
| 1 | 0 | 0 | 0 | Open Drain | IF Analog Lock Detect |
| 1 | 0 | 0 | 1 | Push-Pull | RF & IF Analog Lock Detect |
| 1 | 0 | 1 | 0 | Push-Pull | RF Analog Lock Detect |
| 1 | 0 | 1 | 1 | Push-Pull | IF Analog Lock Detect |
| 1 | 1 | 0 | 0 | Push-Pull | IF R Divider divided by 2 |
| 1 | 1 | 0 | 1 | Push-Pull | IF N Divider divided by 2 |
| 1 | 1 | 1 | 0 | Push-Pull | RF R Divider divided by 2 |
| 1 | 1 | 1 | 1 | Push-Pull | RF N Divider divided by 2 |

2.5.2 IF_P -- IF Prescaler

When this bit is set to 0, the 8/9 prescaler is used. Otherwise the 16/17 prescaler is used.

| IF_P | IF Prescaler | Maximum Frequency |
|------|--------------|-------------------|
| 0 | 8/9 | 800 MHz |
| 1 | 16/17 | 800 MHz |

2.5.3 RF_CPP -- RF PLL Charge Pump Polarity

| RF_CPP | RF Charge Pump Polarity |
|--------|-------------------------|
| 0 | Negative |
| 1 | Positive (Default) |

2.5.4 IF_CPP -- IF PLL Charge Pump Polarity

For a positive phase detector polarity, which is normally the case, set this bit to 1. Otherwise set this bit for a negative phase detector polarity.

| IF_CPP | IF Charge Pump Polarity |
|--------|-------------------------|
| 0 | Negative |
| 1 | Positive |

2.5.5 OSC_OUT Oscillator Output Buffer Enable

| OSC_OUT | OSCOut Pin |
|---------|------------------------------|
| 0 | Disabled (High Impedance) |
| 1 | Buffered output of OSCin pin |

2.5.6 OSC2X -- Oscillator Doubler Enable

When this bit is set to 0, the oscillator doubler is disabled and the TCXO frequency presented to the IF R and RF R counters is equal to that of the input frequency of the OSCin pin. When this bit is set to 1, the TCXO frequency presented to the RF R counter is doubled. Phase noise added by the doubler is negligible.

| OSC2X | Frequency Presented to RF R Counter | Frequency Presented to IF R Counter |
|-------|-------------------------------------|-------------------------------------|
| 0 | f_{OSCin} | f_{OSCin} |
| 1 | $2 \times f_{\text{OSCin}}$ | |

2.5.7 FM[1:0] -- Fractional Mode

Determines the order of the delta-sigma modulator. Higher order delta-sigma modulators reduce the spur levels closer to the carrier by pushing this noise to higher frequency offsets from the carrier. In general, the order of the loop filter should be at least one greater than the order of the delta-sigma modulator in order to allow for sufficient roll-off.

| FM | Function |
|----|---|
| 0 | Fractional PLL mode with a 4th order delta-sigma modulator |
| 1 | Disable the delta-sigma modulator. Recommended for test use only. |
| 2 | Fractional PLL mode with a 2nd order delta-sigma modulator |
| 3 | Fractional PLL mode with a 3rd order delta-sigma modulator |

2.5.8 DITH[1:0] -- Dithering Control

Dithering is a technique used to spread out the spur energy. Enabling dithering can reduce the main fractional spurs, but can also give rise to a family of smaller spurs. Whether dithering helps or hurts is application specific. Enabling the dithering may also increase the phase noise. In most cases where the fractional numerator is zero, dithering usually degrades performance.

Dithering tends to be most beneficial in applications where there is insufficient filtering of the spurs. This often occurs when the loop bandwidth is very wide or a higher order delta-sigma modulator is used. Dithering tends not to impact the main fractional spurs much, but has a much larger impact on the sub-fractional spurs. If it is decided that dithering will be used, best results will be obtained when the fractional denominator is at least 1000.

| DITH | Dithering Mode Used |
|------|---------------------|
| 0 | Disabled |
| 1 | Weak Dithering |
| 2 | Strong Dithering |
| 3 | Reserved |

2.5.9 ATPU -- PLL Automatic Power Up

When this bit is set to 1, both the RF and IF PLL power up when the R0 register is written to. When the R0 register is written to, the PD_RF and PD_IF bits are changed to 0 in the PLL registers. The exception to this case is when the CE pin is low. In this case, the ATPU function is disabled.

2.6 R5 REGISTER

| | | | | | | | | | | | | | | | | | | | | | | | | |
|----------|--------------|----|----|----|----|----|----|----|----|----|--------------|----|----|----|---|---|---|---|---|---|----|----|----|----|
| REGISTER | 23 | 22 | 21 | 20 | 19 | 18 | 17 | 16 | 15 | 14 | 13 | 12 | 11 | 10 | 9 | 8 | 7 | 6 | 5 | 4 | 3 | 2 | 1 | 0 |
| | DATA[19:0] | | | | | | | | | | | | | | | | | | | | C3 | C2 | C1 | C0 |
| R5 | RF_FD[21:12] | | | | | | | | | | RF_FN[21:12] | | | | | | | | | | 1 | 0 | 1 | 1 |

2.6.1 Fractional Numerator Determination { RF_FN[21:12], RF_FN[11:0], ACCESS[1] }

In the case that the ACCESS[1] bit is 0, then the part operates in 12-bit fractional mode, and the RF_FN2[21:12] bits become do not care bits. When the ACCESS[1] bit is set to 1, the part operates in 22-bit mode and the fractional numerator is expanded from 12 to 22-bits.

| Fractional Numerator | RF_FN[21:12] | | | | | | | | | | RF_FN[11:0] | | | | | | | | | | | | | | | | | | | | | | |
|----------------------|---|---|---|---|---|---|---|---|---|---|-------------|---|---|---|---|---|---|---|---|---|---|---|---|---|---|---|---|---|---|---|---|---|---|
| | (These bits only apply in 22- bit mode) | | | | | | | | | | | | | | | | | | | | | | | | | | | | | | | | |
| 0 | In 12- bit mode, these are do not care. In 22- bit mode, for N <4096, these bits should be all set to 0. | | | | | | | | | | 0 | 0 | 0 | 0 | 0 | 0 | 0 | 0 | 0 | 0 | 0 | 0 | 0 | 0 | 0 | 0 | 0 | 0 | 0 | 0 | 0 | | |
| 1 | | | | | | | | | | | 0 | 0 | 0 | 0 | 0 | 0 | 0 | 0 | 0 | 0 | 0 | 0 | 0 | 0 | 0 | 0 | 0 | 0 | 0 | 0 | 0 | 0 | 1 |
| ... | | | | | | | | | | | . | . | . | . | . | . | . | . | . | . | . | . | . | . | . | . | . | . | . | . | . | . | . |
| 4095 | | | | | | | | | | | 1 | 1 | 1 | 1 | 1 | 1 | 1 | 1 | 1 | 1 | 1 | 1 | 1 | 1 | 1 | 1 | 1 | 1 | 1 | 1 | 1 | 1 | 1 |
| 4096 | 0 | 0 | 0 | 0 | 0 | 0 | 0 | 0 | 0 | 0 | 1 | 0 | 0 | 0 | 0 | 0 | 0 | 0 | 0 | 0 | 0 | 0 | 0 | 0 | | | | | | | | | |
| ... | . | . | . | . | . | . | . | . | . | . | . | . | . | . | . | . | . | . | . | . | . | . | . | . | | | | | | | | | |
| 4194303 | 1 | 1 | 1 | 1 | 1 | 1 | 1 | 1 | 1 | 1 | 1 | 1 | 1 | 1 | 1 | 1 | 1 | 1 | 1 | 1 | 1 | 1 | 1 | | | | | | | | | | |

2.6.2 Fractional Denominator Determination { RF_FD[21:12], RF_FD[11:0], ACCESS[1] }

In the case that the ACCESS[1] bit is 0, then the part is operates in the 12-bit fractional mode, and the RF_FD[21:12] bits become do not care bits. When the ACCESS[1] is set to 1, the part operates in 22-bit mode and the fractional denominator is expanded from 12 to 22-bits.

| Fractional Denominator | RF_FD[21:12] | | | | | | | | | | RF_FD[11:0] | | | | | | | | | | | | | | | | | | | | | | |
|------------------------|---|---|---|---|---|---|---|---|---|---|-------------|---|---|---|---|---|---|---|---|---|---|---|---|---|---|---|---|---|---|---|---|---|---|
| | (These bits only apply in 22- bit mode) | | | | | | | | | | | | | | | | | | | | | | | | | | | | | | | | |
| 0 | In 12- bit mode, these are do not care. In 22- bit mode, for N <4096, these bits should be all set to 0. | | | | | | | | | | 0 | 0 | 0 | 0 | 0 | 0 | 0 | 0 | 0 | 0 | 0 | 0 | 0 | 0 | 0 | 0 | 0 | 0 | 0 | 0 | | | |
| 1 | | | | | | | | | | | 0 | 0 | 0 | 0 | 0 | 0 | 0 | 0 | 0 | 0 | 0 | 0 | 0 | 0 | 0 | 0 | 0 | 0 | 0 | 0 | 0 | 1 | |
| ... | | | | | | | | | | | . | . | . | . | . | . | . | . | . | . | . | . | . | . | . | . | . | . | . | . | . | . | . |
| 4095 | | | | | | | | | | | 1 | 1 | 1 | 1 | 1 | 1 | 1 | 1 | 1 | 1 | 1 | 1 | 1 | 1 | 1 | 1 | 1 | 1 | 1 | 1 | 1 | 1 | 1 |
| 4096 | 0 | 0 | 0 | 0 | 0 | 0 | 0 | 0 | 0 | 0 | 1 | 0 | 0 | 0 | 0 | 0 | 0 | 0 | 0 | 0 | 0 | 0 | 0 | | | | | | | | | | |
| ... | . | . | . | . | . | . | . | . | . | . | . | . | . | . | . | . | . | . | . | . | . | . | . | | | | | | | | | | |
| 4194303 | 1 | 1 | 1 | 1 | 1 | 1 | 1 | 1 | 1 | 1 | 1 | 1 | 1 | 1 | 1 | 1 | 1 | 1 | 1 | 1 | 1 | 1 | 1 | | | | | | | | | | |

2.7 R6 REGISTER

| REGISTER | 23 | 22 | 21 | 20 | 19 | 18 | 17 | 16 | 15 | 14 | 13 | 12 | 11 | 10 | 9 | 8 | 7 | 6 | 5 | 4 | 3 | 2 | 1 | 0 |
|----------|------------|----|----|-------------|----|----|--------------|----|----|----|----|----|----|----|---|---|---|---|---|---|----|----|----|----|
| | DATA[19:0] | | | | | | | | | | | | | | | | | | | | C3 | C2 | C1 | C0 |
| R6 | CSR[1:0] | | | RF_CPF[3:0] | | | RF_TOC[13:0] | | | | | | | | | | | | | | 1 | 1 | 0 | 1 |

2.7.1 RF_TOC -- RF Time Out Counter and Control for FLoutRF Pin

The RF_TOC[13:0] word controls the operation of the RF Fastlock circuitry as well as the function of the FLoutRF output pin. When this word is set to a value between 0 and 3, the RF Fastlock circuitry is disabled and the FLoutRF pin operates as a general purpose CMOS TRI-STATE I/O. When RF_TOC is set to a value between 4 and 16383, the RF Fastlock mode is enabled and the FLoutRF pin is utilized as the RF Fastlock output pin. The value programmed into the RF_TOC[13:0] word represents two times the number of phase detector comparison cycles the RF synthesizer will spend in the Fastlock state.

| RF_TOC | Fastlock Mode | Fastlock Period [CP events] | FLoutRF Pin Functionality |
|--------|---------------|-----------------------------|--|
| 0 | Disabled | N/A | High Impedance |
| 1 | Manual | N/A | Logic "0" State. Forces all Fastlock conditions |
| 2 | Disabled | N/A | Logic "0" State |
| 3 | Disabled | N/A | Logic "1" State |
| 4 | Enabled | 4X2 = 8 | Fastlock |
| 5 | Enabled | 5X2 = 10 | Fastlock |
| ... | Enabled | ... | Fastlock |
| 16383 | Enabled | 16383X2 = 32766 | Fastlock |

2.7.2 RF_CPF -- RF PLL Fastlock Charge Pump Current

Specify the charge pump current for the Fastlock operation mode for the RF PLL. Note that the Fastlock charge pump current, steady state current, and CSR control are all interrelated.

| RF_CPF | RF Charge Pump State | Typical RF Charge Pump Current at 3 Volts (μ A) |
|--------|----------------------|--|
| 0 | 1X | 95 |
| 1 | 2X | 190 |
| 2 | 3X | 285 |
| 3 | 4X | 380 |
| 4 | 5X | 475 |
| 5 | 6X | 570 |
| 6 | 7X | 665 |
| 7 | 8X | 760 |
| 8 | 9X | 855 |
| 9 | 10X | 950 |
| 10 | 11X | 1045 |
| 11 | 12X | 1140 |
| 12 | 13X | 1235 |
| 13 | 14X | 1330 |
| 14 | 15X | 1425 |
| 15 | 16X | 1520 |

2.7.3 CSR[1:0] -- RF Cycle Slip Reduction

CSR controls the operation of the Cycle Slip Reduction Circuit. This circuit can be used to reduce the occurrence of phase detector cycle slips. Note that the Fastlock charge pump current, steady state current, and CSR control are all interrelated. Refer to section 1.8 for information on how to use this.

| CSR | CSR State | Sample Rate Reduction Factor |
|------------|------------------|-------------------------------------|
| 0 | Disabled | 1 |
| 1 | Enabled | 1/2 |
| 2 | Enabled | 1/4 |
| 3 | Enabled | 1/16 |

2.8 R7 REGISTER

| | | | | | | | | | | | | | | | | | | | | | | | | |
|----------|------------|----|----|----|----|----|----|----|----|----|------|----|----|----|---|---|--------|--------|--------|--------|----|----|----|----|
| REGISTER | 23 | 22 | 21 | 20 | 19 | 18 | 17 | 16 | 15 | 14 | 13 | 12 | 11 | 10 | 9 | 8 | 7 | 6 | 5 | 4 | 3 | 2 | 1 | 0 |
| | Data[19:0] | | | | | | | | | | | | | | | | | | | | C3 | C2 | C1 | C0 |
| R7 | 0 | 0 | 0 | 0 | 0 | 0 | 0 | 0 | 0 | 0 | DIV4 | 0 | 1 | 0 | 0 | 0 | IF_RST | RF_RST | IF_CPT | RF_CPT | 1 | 1 | 1 | 1 |

2.8.1 DIV4 -- RF Digital Lock Detect Divide By 4

Because the digital lock detect function is based on a phase error, it becomes more difficult to detect a locked condition for larger comparison frequencies. When this bit is enabled, it subdivides the RF PLL comparison frequency (it does not apply to the IF comparison frequency) presented to the digital lock detect circuitry by 4. This enables this circuitry to work at higher comparison frequencies. It is recommended that this bit be enabled whenever the comparison frequency exceeds 20 MHz and RF digital lock detect is being used.

2.8.2 IF_RST -- IF PLL Counter Reset

When this bit is enabled, the IF PLL N and R counters are reset, and the charge pump is put in a Tri-State condition. This feature should be disabled for normal operation. Note that a counter reset is applied whenever the chip is powered up via software or CE pin.

| IF_RST | IF PLL N and R Counters | IF PLL Charge Pump |
|-------------|-------------------------|--------------------|
| 0 (Default) | Normal Operation | Normal Operation |
| 1 | Counter Reset | Tri-State |

2.8.3 RF_RST -- RF PLL Counter Reset

When this bit is enabled, the RF PLL N and R counters are reset and the charge pump is put in a Tri-State condition. This feature should be disabled for normal operation. This feature should be disabled for normal operation. Note that a counter reset is applied whenever the chip is powered up via software or CE pin.

| RF_RST | RF PLL N and R Counters | RF PLL Charge Pump |
|-------------|-------------------------|--------------------|
| 0 (Default) | Normal Operation | Normal Operation |
| 1 | Counter Reset | Tri-State |

2.8.4 RF_TRI -- RF Charge Pump Tri-State

When this bit is enabled, the RF PLL charge pump is put in a Tri-State condition, but the counters are not reset. This feature is typically disabled for normal operation.

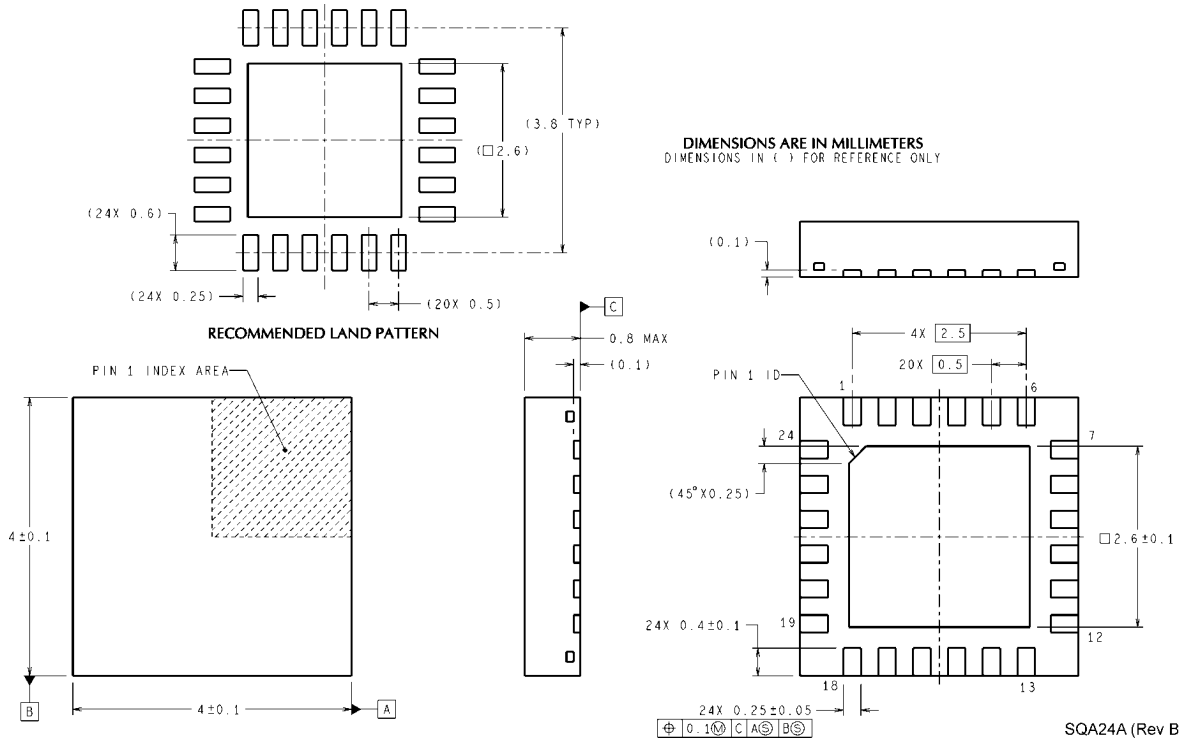
| RF_TRI | RF PLL N and R Counters | RF PLL Charge Pump |
|-------------|-------------------------|--------------------|
| 0 (Default) | Normal Operation | Normal Operation |
| 1 | Normal Operation | Tri-State |

2.8.5 IF_TRI -- IF Charge Pump Tri-State

When this bit is enabled, the IF PLL charge pump is put in a Tri-State condition, but the counters are not reset. This feature is typically disabled for normal operation.

| IF_TRI | IF PLL N and R Counters | IF PLL Charge Pump |
|-------------|-------------------------|--------------------|
| 0 (Default) | Normal Operation | Normal Operation |
| 1 | Normal Operation | Tri-State |

Physical Dimensions inches (millimeters) unless otherwise noted



Plastic Quad LLP (SQ), Bottom View
Order Number LMX2487ESQX for 4500 Unit Reel
Order Number LMX2487ESQ for 1000 Unit Reel
NS Package Number SQA24A

Notes

THE CONTENTS OF THIS DOCUMENT ARE PROVIDED IN CONNECTION WITH NATIONAL SEMICONDUCTOR CORPORATION ("NATIONAL") PRODUCTS. NATIONAL MAKES NO REPRESENTATIONS OR WARRANTIES WITH RESPECT TO THE ACCURACY OR COMPLETENESS OF THE CONTENTS OF THIS PUBLICATION AND RESERVES THE RIGHT TO MAKE CHANGES TO SPECIFICATIONS AND PRODUCT DESCRIPTIONS AT ANY TIME WITHOUT NOTICE. NO LICENSE, WHETHER EXPRESS, IMPLIED, ARISING BY ESTOPPEL OR OTHERWISE, TO ANY INTELLECTUAL PROPERTY RIGHTS IS GRANTED BY THIS DOCUMENT.

TESTING AND OTHER QUALITY CONTROLS ARE USED TO THE EXTENT NATIONAL DEEMS NECESSARY TO SUPPORT NATIONAL'S PRODUCT WARRANTY. EXCEPT WHERE MANDATED BY GOVERNMENT REQUIREMENTS, TESTING OF ALL PARAMETERS OF EACH PRODUCT IS NOT NECESSARILY PERFORMED. NATIONAL ASSUMES NO LIABILITY FOR APPLICATIONS ASSISTANCE OR BUYER PRODUCT DESIGN. BUYERS ARE RESPONSIBLE FOR THEIR PRODUCTS AND APPLICATIONS USING NATIONAL COMPONENTS. PRIOR TO USING OR DISTRIBUTING ANY PRODUCTS THAT INCLUDE NATIONAL COMPONENTS, BUYERS SHOULD PROVIDE ADEQUATE DESIGN, TESTING AND OPERATING SAFEGUARDS.

EXCEPT AS PROVIDED IN NATIONAL'S TERMS AND CONDITIONS OF SALE FOR SUCH PRODUCTS, NATIONAL ASSUMES NO LIABILITY WHATSOEVER, AND NATIONAL DISCLAIMS ANY EXPRESS OR IMPLIED WARRANTY RELATING TO THE SALE AND/OR USE OF NATIONAL PRODUCTS INCLUDING LIABILITY OR WARRANTIES RELATING TO FITNESS FOR A PARTICULAR PURPOSE, MERCHANTABILITY, OR INFRINGEMENT OF ANY PATENT, COPYRIGHT OR OTHER INTELLECTUAL PROPERTY RIGHT.

LIFE SUPPORT POLICY

NATIONAL'S PRODUCTS ARE NOT AUTHORIZED FOR USE AS CRITICAL COMPONENTS IN LIFE SUPPORT DEVICES OR SYSTEMS WITHOUT THE EXPRESS PRIOR WRITTEN APPROVAL OF THE CHIEF EXECUTIVE OFFICER AND GENERAL COUNSEL OF NATIONAL SEMICONDUCTOR CORPORATION. As used herein:

Life support devices or systems are devices which (a) are intended for surgical implant into the body, or (b) support or sustain life and whose failure to perform when properly used in accordance with instructions for use provided in the labeling can be reasonably expected to result in a significant injury to the user. A critical component is any component in a life support device or system whose failure to perform can be reasonably expected to cause the failure of the life support device or system or to affect its safety or effectiveness.

National Semiconductor and the National Semiconductor logo are registered trademarks of National Semiconductor Corporation. All other brand or product names may be trademarks or registered trademarks of their respective holders.

Copyright© 2007 National Semiconductor Corporation

For the most current product information visit us at www.national.com



National Semiconductor Americas Customer Support Center
 Email: new.feedback@nsc.com
 Tel: 1-800-272-9959

National Semiconductor Europe Customer Support Center
 Fax: +49 (0) 180-530-85-86
 Email: europe.support@nsc.com
 Deutsch Tel: +49 (0) 69 9508 6208
 English Tel: +49 (0) 870 24 0 2171
 Français Tel: +33 (0) 1 41 91 8790

National Semiconductor Asia Pacific Customer Support Center
 Email: ap.support@nsc.com

National Semiconductor Japan Customer Support Center
 Fax: 81-3-5639-7507
 Email: jpn.feedback@nsc.com
 Tel: 81-3-5639-7560