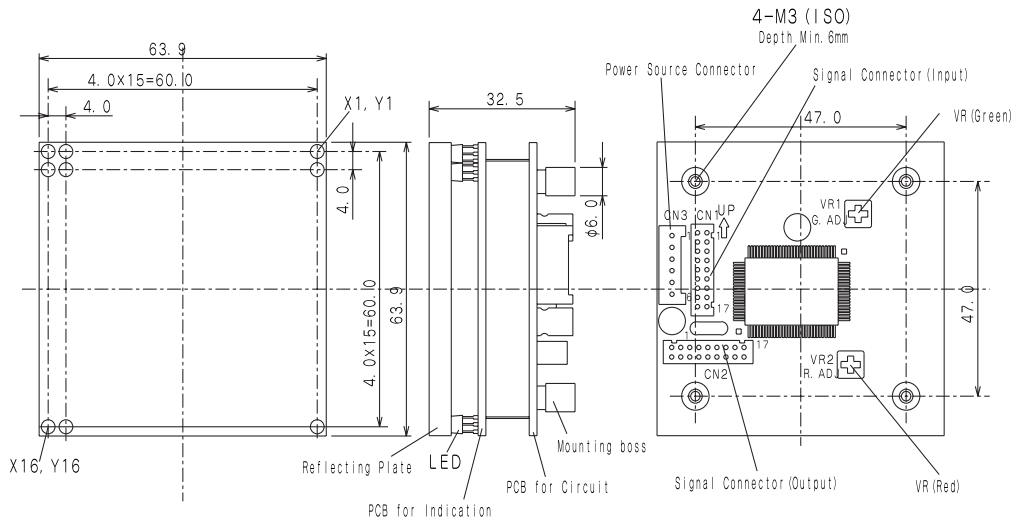


# PANEL DISPLAY UNITS

64 × 64 mm

φ 3 mm 16 × 16 Dots LNP123021

Outline Drawing



## Absolute Maximum Ratings (Ta = 25°C)

| Item                          | Symbol           | Ratings                       | Unit |
|-------------------------------|------------------|-------------------------------|------|
| Supply Voltage for Logic      | V <sub>CC</sub>  | - 0.3 ~ + 6.0                 | V    |
| Supply Voltage for LED        | V <sub>LED</sub> | Max 5.5                       | V    |
| Input Voltage                 | V <sub>in</sub>  | - 0.3 ~ V <sub>CC</sub> + 0.3 | V    |
| Operating Ambient Temperature | T <sub>opr</sub> | - 10 ~ + 45                   | °C   |
| Storage Temperature           | T <sub>stg</sub> | - 25 ~ + 85                   | °C   |

## Main Specifications (Ta = 25°C)

| Item                                    | Symbol         | Ratings                               | Unit   |    |
|---|----------------|---------------------------------------|--|----|
| Display Colors                          |                | Red, Green, Amber                     |  |    |
| Dot Diameter                            |                | φ 3.0                                 | mm   |    |
| Dots Pitch                              |                | 4.0                                   | mm   |    |
| Dot Total Number                        |                | 256 (16 × 16)                         |  |    |
| Display Surface Size                    |                | 64 × 64                               | mm   |    |
| Brightness<br>(when lighting all lamps) | B              | Red : 400<br>Green : 300 Controllable | cd/m <sup>2</sup>                              |    |
| Operating Method                        |                | 1/16(Duty)<br>Dynamic lighting        |  |    |
| Clock Frequency                         | CLK            | Max 20                                | MHz  |    |
| for Logic                               | Supply Voltage | V <sub>CC</sub>                       | 5.0 ± 0.5                                      | V  |
|   | Supply Current | I <sub>CC</sub>                       | Max 30   | mA |
| for LED                                 | Supply Voltage | V <sub>LED</sub>                      | 5.0 ± 0.2                                      | V  |
|   | Supply Current | I <sub>LED</sub>                      | Max 6.5 when two colors are<br>all turned "ON" | A  |
| Weight                                  |                | 90                                    | g  |    |