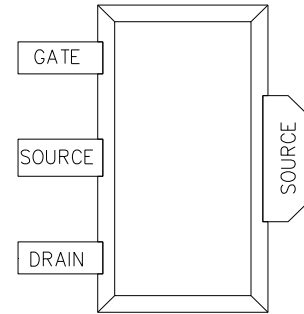


• FEATURES

- ◆ 27.5 dBm Output Power at 1-dB Compression at 1.8 GHz
- ◆ 17 dB Power Gain at 1.8 GHz
- ◆ 1.0 dB Noise Figure
- ◆ 44 dBm Output IP3 at 1.8 GHz
- ◆ 50% Power-Added Efficiency



• DESCRIPTION AND APPLICATIONS

The LP1500SOT89 is a packaged Aluminum Gallium Arsenide / Indium Gallium Arsenide (AlGaAs/InGaAs) pseudomorphic High Electron Mobility Transistor (pHEMT). It utilizes a 0.25 μm x 1500 μm Schottky barrier gate, defined by electron-beam photolithography. The recessed “mushroom” gate structure minimizes parasitic gate-source and gate resistance. The epitaxial structure and processing have been optimized for reliable high-power applications. The LP1500 also features Si₃N₄ passivation and is available in die form or in other packages.

Typical applications include drivers or output stages in PCS/Cellular amplifiers, WLL and WLAN systems, and other types of wireless infrastructure systems.

• ELECTRICAL SPECIFICATIONS @ T_{Ambient} = 25°C

Parameter	Symbol	Test Conditions	Min	Typ	Max	Units
Saturated Drain-Source Current LP1500SOT89-1	I _{DSS}	V _{DS} = 2 V; V _{GS} = 0 V	375	420	450	mA
LP1500SOT89-2			451	490	526	mA
LP1500SOT89-3			527	560	600	mA
Power at 1-dB Compression	P-1dB	V _{DS} = 5 V; I _{DS} = 50% I _{DSS}	26	27.5		dBm
Power Gain at 1-dB Compression	G-1dB	V _{DS} = 5 V; I _{DS} = 50% I _{DSS}	15	17		dB
Power-Added Efficiency	PAE	V _{DS} = 5 V; I _{DS} = 50% I _{DSS} ; P _{IN} = 15 dBm		50		%
Noise Figure	NF	V _{DS} = 5 V; I _{DS} = 50% I _{DSS}		1.0		dB
Output Third-Order Intercept Point	IP3	V _{DS} = 5 V; I _{DS} = 50% I _{DSS} ; P _{IN} = -1 dBm		44		dBm
Maximum Drain-Source Current	I _{MAX}	V _{DS} = 2 V; V _{GS} = 1 V		925		mA
Transconductance	G _M	V _{DS} = 2 V; V _{GS} = 0 V	300	400		mS
Gate-Source Leakage Current	I _{GSO}	V _{GS} = -5 V		10	100	μA
Pinch-Off Voltage	V _P	V _{DS} = 2 V; I _{DS} = 8 mA	-0.25	-1.2	-2.0	V
Gate-Source Breakdown Voltage Magnitude	V _{BDGS}	I _{GS} = 8 mA	-10	-12		V
Gate-Drain Breakdown Voltage Magnitude	V _{BDGD}	I _{GD} = 8 mA	-10	-13		V

frequency=1.8 GHz

- ABSOLUTE MAXIMUM RATINGS**

Parameter	Symbol	Test Conditions	Min	Max	Units
Drain-Source Voltage	V_{DS}	$T_{Ambient} = 22 \pm 3 \text{ }^\circ\text{C}$		7	V
Gate-Source Voltage	V_{GS}	$T_{Ambient} = 22 \pm 3 \text{ }^\circ\text{C}$		-3	V
Drain-Source Current	I_{DS}	$T_{Ambient} = 22 \pm 3 \text{ }^\circ\text{C}$		I_{DSS}	mA
Gate Current	I_G	$T_{Ambient} = 22 \pm 3 \text{ }^\circ\text{C}$		15	mA
RF Input Power	P_{IN}	$T_{Ambient} = 22 \pm 3 \text{ }^\circ\text{C}$		350	mW
Channel Operating Temperature	T_{CH}	$T_{Ambient} = 22 \pm 3 \text{ }^\circ\text{C}$		175	$^\circ\text{C}$
Storage Temperature	T_{STG}	—	-65	175	$^\circ\text{C}$
Total Power Dissipation	P_{TOT}	$T_{Ambient} = 22 \pm 3 \text{ }^\circ\text{C}$		2.3	W

Notes:

- Operating conditions that exceed the Absolute Maximum Ratings could result in permanent damage to the device.
- Power Dissipation defined as: $P_{TOT} \equiv (P_{DC} + P_{IN}) - P_{OUT}$, where
 P_{DC} : DC Bias Power
 P_{IN} : RF Input Power
 P_{OUT} : RF Output Power
- Absolute Maximum Power Dissipation to be de-rated as follows above 25 $^\circ\text{C}$:
 $P_{TOT} = 2.3\text{W} - (0.015\text{W}/^\circ\text{C}) \times T_{PACK}$
 where T_{PACK} = source tab lead temperature
- This PHEMT is susceptible to damage from Electrostatic Discharge. Proper precautions should be used when handling these devices.

- OPTIMUM POWER OUTPUT MATCHING**

Frequency (GHz)	Load State	
	Magnitude	Phase
1.8	0.61	-146 $^\circ$
2.2	0.52	-143 $^\circ$
2.5	0.56	-141 $^\circ$

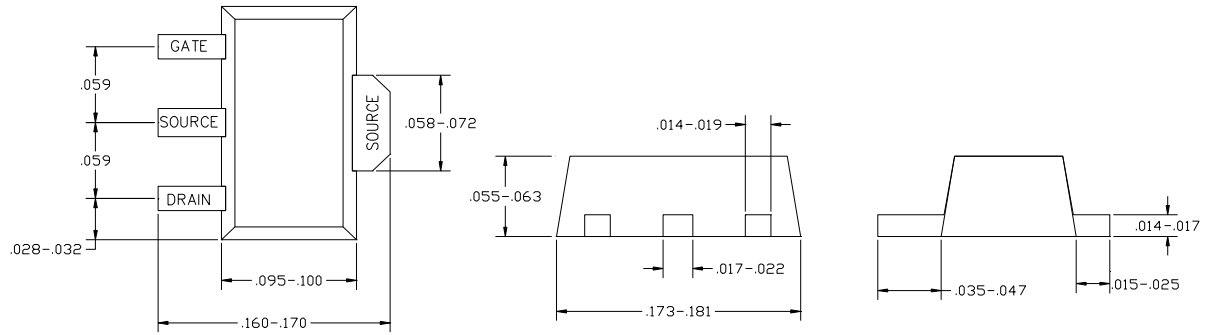
- HANDLING PRECAUTIONS**

To avoid damage to the devices care should be exercised during handling. Proper Electrostatic Discharge (ESD) precautions should be observed at all stages of storage, handling, assembly, and testing. These devices should be treated as Class 1A (0-500 V). Further information on ESD control measures can be found in MIL-STD-1686 and MIL-HDBK-263.

- APPLICATIONS NOTES & DESIGN DATA**

Applications Notes are available from your local Filtronic Sales Representative or directly from the factory. Complete design data, including S-parameters, noise data, and large-signal models are available on the Filtronic web site.

- PACKAGE OUTLINE
(dimensions in inches)



All information and specifications are subject to change without notice.