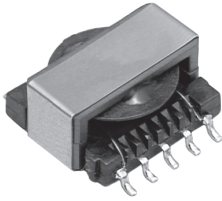


## Surface Mount Transformers/Inductors

### Gapped and Ungapped Custom Configurations Available



#### ELECTRICAL SPECIFICATIONS

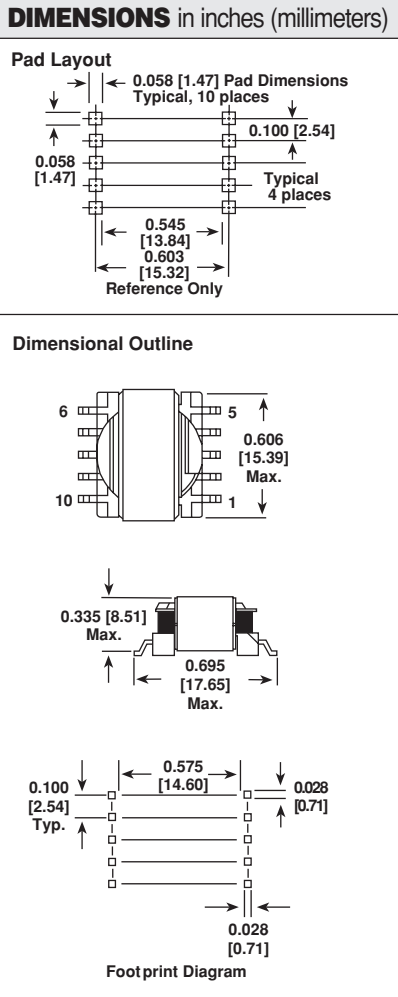
(Multiple winds are connected in parallel)

**Inductance Range:** 10 $\mu$ H to 33000 $\mu$ H, measured at 0.10V RMS @ 10kHz without DC current, using an HP 4263A or HP 4284A impedance analyzer.

**DC Resistance Range:** 0.03 ohm to 53.7 ohm, measured at + 25°C  $\pm$  5°C.

**Rated Current Range:** 3.00 amps to .06 amps.

**Dielectric Withstanding Voltage:** 500V RMS, 60Hz, 5 seconds.



STANDARD ELECTRICAL SPECIFICATIONS						
MODEL	IND. ( $\mu$ H)	IND. TOL.	SCHEMATIC LETTER	DCR MAX. (Ohms)	MAX. RATED* DC CURRENT (Amps)	SATURATING** CURRENT (Amps)
<b>Ungapped Models</b>						
LPE-6562-221NA	220	$\pm$ 30%	A	0.28	0.90	N/A
LPE-6562-331NA	330	$\pm$ 30%	A	0.34	0.81	N/A
LPE-6562-471NA	470	$\pm$ 30%	A	0.40	0.74	N/A
LPE-6562-681NA	680	$\pm$ 30%	A	0.48	0.67	N/A
LPE-6562-102NA	1000	$\pm$ 30%	A	0.59	0.61	N/A
LPE-6562-152NA	1500	$\pm$ 30%	A	0.72	0.55	N/A
LPE-6562-222NA	2200	$\pm$ 30%	A	0.87	0.50	N/A
LPE-6562-332NA	3300	$\pm$ 30%	A	1.07	0.45	N/A
LPE-6562-472NA	4700	$\pm$ 30%	A	1.27	0.41	N/A
LPE-6562-682NA	6800	$\pm$ 30%	A	1.53	0.38	N/A
LPE-6562-103NA	10000	$\pm$ 30%	A	1.86	0.34	N/A
LPE-6562-153NA	15000	$\pm$ 30%	A	2.27	0.31	N/A
LPE-6562-223NA	22000	$\pm$ 30%	A	8.67	0.16	N/A
LPE-6562-333NA	33000	$\pm$ 30%	A	10.6	0.14	N/A
LPE-6562-473NA	47000	$\pm$ 30%	A	12.7	0.13	N/A
LPE-6562-683NA	68000	$\pm$ 30%	A	15.2	0.12	N/A
LPE-6562-104NA	100000	$\pm$ 30%	A	18.5	0.11	N/A
LPE-6562-154NA	150000	$\pm$ 30%	A	37.7	0.08	N/A
LPE-6562-224NA	220000	$\pm$ 30%	A	45.6	0.07	N/A
LPE-6562-334NA	330000	$\pm$ 30%	A	53.7	0.06	N/A
<b>Gapped Models</b>						
LPE-6562-100MB	10	$\pm$ 20%	B	0.03	3.09	5.055
LPE-6562-150MB	15	$\pm$ 20%	B	0.04	2.79	4.160
LPE-6562-220MB	22	$\pm$ 20%	B	0.05	2.26	3.460
LPE-6562-330MB	33	$\pm$ 20%	B	0.08	1.81	2.840
LPE-6562-470MB	47	$\pm$ 20%	D	0.12	1.48	2.390
LPE-6562-680MB	68	$\pm$ 20%	C	0.19	1.20	1.990
LPE-6562-101MB	100	$\pm$ 20%	D	0.29	0.98	1.650
LPE-6562-151MB	150	$\pm$ 20%	E	0.45	0.78	1.350
LPE-6562-221MB	220	$\pm$ 20%	E	0.54	0.71	1.115
LPE-6562-331MB	330	$\pm$ 20%	E	0.84	0.57	0.912
LPE-6562-471MB	470	$\pm$ 20%	E	1.24	0.47	0.765
LPE-6562-681MB	680	$\pm$ 20%	E	1.89	0.38	0.637
LPE-6562-102MB	1000	$\pm$ 20%	E	2.91	0.31	0.526
LPE-6562-152MB	1500	$\pm$ 20%	E	4.50	0.25	0.430
LPE-6562-222MB	2200	$\pm$ 20%	E	6.90	0.20	0.355
LPE-6562-332MB	3300	$\pm$ 20%	E	10.4	0.16	0.290
LPE-6562-472MB	4700	$\pm$ 20%	E	15.7	0.13	0.243

\*DC current that will create a maximum temperature rise of 30°C when applied at + 25°C ambient. \*\*DC current that will typically reduce the initial inductance by 20%.

**UNGAPPED MODELS:** Highest possible inductance with the lowest DCR and highest Q capability. Beneficial in filter, impedance matching and line coupling devices.

**GAPPED MODELS:** Capable of handling large amounts of DC current, tighter inductance tolerance with better temperature stability than ungapped models. Beneficial in DC to DC converters or other circuits carrying DC currents or requiring inductance stability over a temperature range.

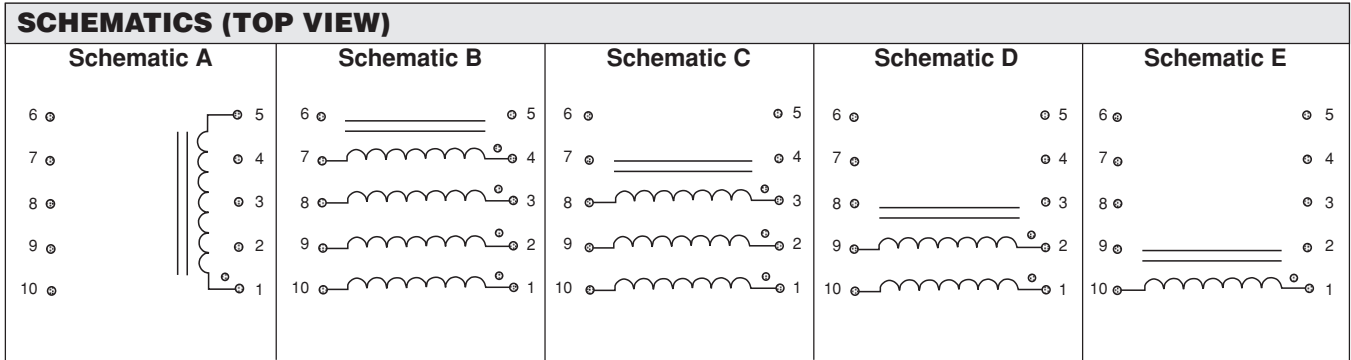
#### DESCRIPTION - LPE-6562-102NA

LPE	6562	1000 $\mu$ H	$\pm$ 30%	A
MODEL	SIZE	INDUCTANCE VALUE	INDUCTANCE TOLERANCE	CORE

#### SAP PART NUMBERING GUIDELINES (INTERNAL)



See the end of this data book for conversion tables



**NOTE:** Schematic A is for Ungapped LPE Series.

ENVIRONMENTAL PERFORMANCE	
TEST	CONDITIONS
Thermal Cycling	Withstands - 55°C to +125°C
Operating Temperature	- 55°C to + 125°C*
High Humidity	85%
Soldering Heat	Tested to + 230°C
Mechanical Shock	Per MIL-STD-202, Method 213 (100G)
Vibration	Per MIL-STD-202, Method 204 (20G)
Solderability	Per industry standards

\*Must be checked in end use application

PART MARKING	
—	Vishay Dale
—	Date code
—	Marking code (Suffix of model #)
—	Pin 1 indicator

PACKAGING											
<b>TAPE SPECIFICATIONS:</b> Carrier Tape Type: Conductive. Cover Tape Type: Anti-static. Cover Tape Adhesion to Carrier: 40 ± 30 grams.		<b>STANDARDS:</b> All embossed carrier tape packaging will be accomplished in compliance with latest revision of EIA-481 "Taping of Surface Mount Components for Automatic Placement".									
<b>REEL SPECIFICATIONS:</b> Diameter (flange): 13" [330.2mm]. Maximum Width (over flanges): 1.197" [30.4mm].		<table border="1"> <thead> <tr> <th>MODEL</th> <th>TAPE WIDTH</th> <th>COMPONENT PITCH</th> <th>UNITS PER 13 INCH REEL</th> </tr> </thead> <tbody> <tr> <td>LPE-6562</td> <td>32mm</td> <td>20mm</td> <td>300</td> </tr> </tbody> </table>	MODEL	TAPE WIDTH	COMPONENT PITCH	UNITS PER 13 INCH REEL	LPE-6562	32mm	20mm	300	
MODEL	TAPE WIDTH	COMPONENT PITCH	UNITS PER 13 INCH REEL								
LPE-6562	32mm	20mm	300								

