

T1/CEPT/ISDN-PR1 Quad Port Isolation Transformer

IC Grade Transfer-Molded Package withstand 235°C IR Reflow

Operating Temperature: 0°C ~ +70°C

Electrical Specifications: @25°C

PRI/SEC Isolation: 1500Vrms

TX Turns Ratio: 1.36CT : 1 ±3%

(TX P1-3:P40-39, P6-8:P35-34, P11-13:P30-29, P16-18:P25-24)

RX Turns Ratio: 1 : 2CT ±3%

(RX P4-5:P38-36, P9-10:P33-31, P14-15:P28-26, P19-20:P23-21)

CHIP SIDE OCL: 1.2mH Minimum @100KHz 50mV

Cw/w: 35pF Max @100KHz 50mV (PRI/SEC)

Leakage Inductance: 0.8uH Max @100KHz 50mV (SEC Shorted)

TX PRI DC Resistance: 1.3 Ohms Max

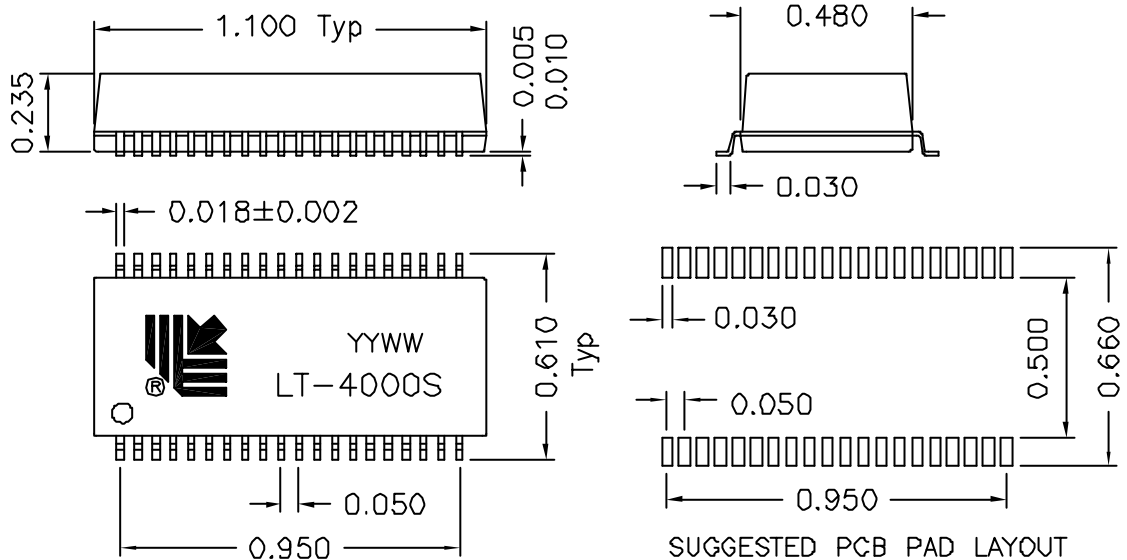
TX SEC DC Resistance: 0.9 Ohms Max

RX PRI DC Resistance: 0.9 Ohms Max

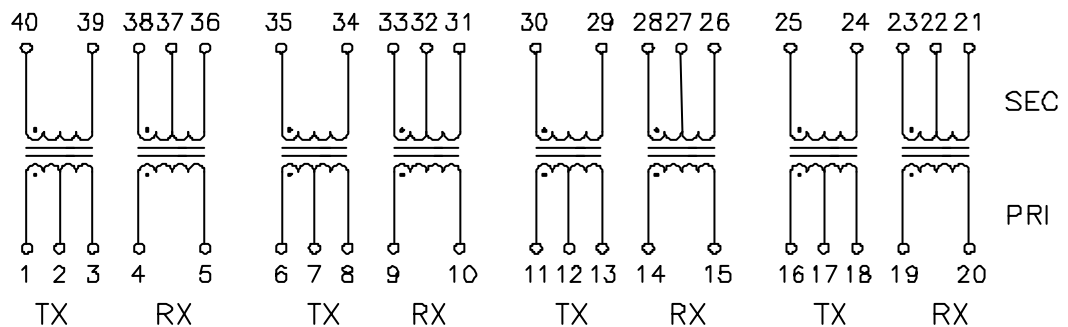
RX SEC DC Resistance: 1.3 Ohms Max

Cross talk: -65dB TYPICAL

Mechanicals:



Schematics:



*Specification Subject To Change Without Notice

P/N: LT-4000S	DIMENSIONS IN INCH	Unless otherwise specified Dim. Tolerances are: .xxx ±0.010	REV: A1	DRWN:	DATE: 03-08-10
	SCALE: NONE		PAGE: 1/1	APPD:	DATE: