

Micropower Regulator with Comparator and Shutdown

FEATURES

- 40 μ A Supply Current
- 125mA Output Current
- 2.5V Reference Voltage
- Reference Output Sources 2mA and Sinks 2mA
- Open Collector
- Comparator Sinks 10mA
- Logic Shutdown
- 0.2V Dropout Voltage
- Thermal Limiting
- Available in 8-Lead DIP, SO and Metal Can Packages

APPLICATIONS


- Battery Systems
- Battery-Backup System
- Portable Terminals
- Portable Instruments
- Memory Keep-Alive

DESCRIPTION

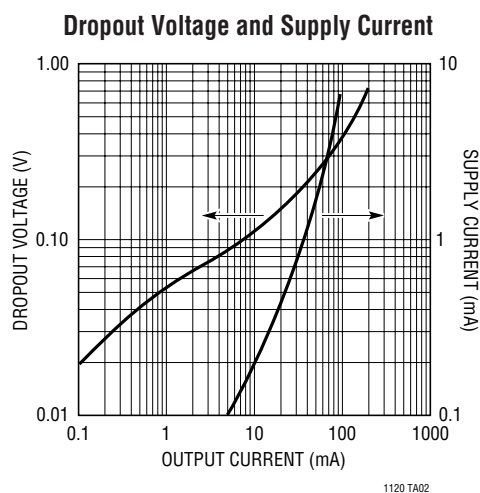
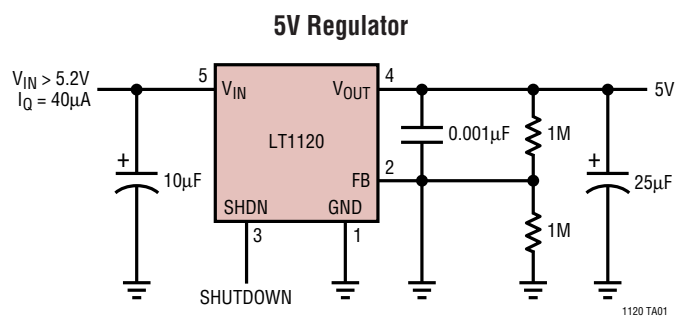
The LT[®]1120 is a combination micropower positive regulator and free collector comparator on a single monolithic chip. With only 40 μ A supply current, the LT1120 can supply over 125mA of output current. Input voltage range is from 4.5V to 36V and dropout voltage is 0.6V at 125mA. Dropout voltage decreases with lower load currents. Also included on the chip is a class B output 2.5V reference that can either source or sink current. A shutdown pin allows logic shutdown of the output.

The comparator can be used for system or battery monitoring. For example, the comparator can be used to warn of low system voltage. Frequency compensation of the comparator for amplifier applications can be obtained by adding external output capacitance.

The 2.5V reference will source or sink current. This allows it to be used as a supply splitter or auxiliary output.

 LTC and LT are registered trademarks of Linear Technology Corporation.

TYPICAL APPLICATION



LT1120

ABSOLUTE MAXIMUM RATINGS (Note 1)

Input Voltage	36V	Operating Temperature Range	
NPN Collector Voltage	36V	LT1120C	0°C to 100°C
Output Short-Circuit Duration	Indefinite	LT1120I	-40 to 100°C
Power Dissipation	Internally Limited	Storage Temperature Range	-65°C to 150°C

PACKAGE/ORDER INFORMATION

<p>J8 PACKAGE 8-LEAD CERDIP N8 PACKAGE 8-LEAD PDIP S8 PACKAGE 8-LEAD PLASTIC SO</p> <p>$T_{JMAX} = 150^{\circ}C, \theta_{JA} = 100^{\circ}C/W$ (J) $T_{JMAX} = 110^{\circ}C, \theta_{JA} = 130^{\circ}C/W$ (N) $T_{JMAX} = 110^{\circ}C, \theta_{JA} = 150^{\circ}C/W$ (S)</p>	ORDER PART NUMBER	<p>H PACKAGE 8-LEAD TO-5 METAL CAN</p> <p>$T_{JMAX} = 150^{\circ}C, \theta_{JA} = 150^{\circ}C/W, \theta_{JC} = 45^{\circ}C/W$</p>	ORDER PART NUMBER
	LT1120CJ8 LT1120CN8 LT1120CS8 LT1120IN8 LT1120IS8		LT1120CH
	S8 PART MARKING		
	1120 1120I		

Consult factory for Military grade parts.

ELECTRICAL CHARACTERISTICS

The ● denotes the specifications which apply over the full operating temperature range, otherwise specifications are at $T_A = 25^{\circ}C, T_j = 25^{\circ}C$

PARAMETER	CONDITIONS	MIN	TYP	MAX	UNITS
Reference					
Reference Voltage	$4.5V \leq V_{IN} \leq 36V$	2.46	2.50	2.54	V
Line Regulation	$4.5V \leq V_{IN} \leq 36V$		0.01	0.015	%/V
Load Regulation	$-2mA \leq I_{REF} \leq 2mA, V_{IN} = 12V$		0.3	0.6	%
Output Source Current	$V_{IN} = 5V$	2	4		mA
Output Sink Current	$V_{IN} = 5V$	2	4		mA
Temperature Stability			1		%
Regulator					
Supply Current	$V_{IN} = 6V, I_{OUT} \leq 100\mu A$ $V_{IN} = 36V, I_{OUT} \leq 100\mu A$ $V_{IN} = 12V, I_{OUT} = 125mA$		45 75 11	80 100 20	μA μA mA
Output Current	$(V_{IN} - V_{OUT}) \geq 1V, V_{IN} \geq 6V$	125			mA
Load Regulation	$(V_{IN} - V_{OUT}) \geq 1V, V_{IN} \geq 6V$		0.2	0.5	%
Line Regulation	$6V \leq V_{IN} \leq 36V$		0.01	0.015	%/V
Dropout Voltage	$I_{OUT} = 100\mu A$ $I_{OUT} = 125mA$		0.02 0.4	0.05 0.65	V V
Feedback Sense Voltage	$V_{IN} = 12V$	2.44	2.5	2.56	V
Shutdown Pin Voltage	$V_{OUT} \leq 0.5V$	Normal		0.4	V
		Shutdown	2.2	1.4	V

ELECTRICAL CHARACTERISTICS The ● denotes the specifications which apply over the full operating temperature range, otherwise specifications are at $T_A = 25^\circ\text{C}$. $T_j = 25^\circ\text{C}$

PARAMETER	CONDITIONS	MIN	TYP	MAX	UNITS
Shutdown Pin Current	$V_{IN} = 1.4\text{V}$		25		μA
Feedback Bias Current			15	40	nA
Minimum Load Current	$V_{IN} = 36\text{V}$		1	5	μA
Short-Circuit Current	$V_{IN} = 36\text{V}$		300	400	mA
Comparator					
Offset Voltage	$V_{IN} = 36\text{V}$		3	7	mV
Bias Current	$V_{IN} = 36\text{V}$ (Note 2)		15	40	nA
Gain	$\Delta V_{OUT} = 29\text{V}$, $R_L = 20\text{k}$	2000	10000		V/V
Power Supply Rejection	$4.5\text{V} \leq V_S \leq 36\text{V}$	80	96		dB
Output Sink Current	$V_{IN} = 4.5\text{V}$	10	18		mA
Saturation Voltage	$I_{OUT} = 1\text{mA}$		0.4	0.6	V
Input Voltage Range		0		$V_{IN} - 1$	V
Response Time			5		μs
Leakage Current				2	μA

ELECTRICAL CHARACTERISTICS

The ● denotes the specifications which apply over the full operating temperature range, otherwise specifications are at $T_A = 25^\circ\text{C}$.

PARAMETER	CONDITIONS	MIN	TYP	MAX	UNITS	
Reference						
Reference Voltage	$4.5\text{V} \leq V_{IN} \leq 36\text{V}$	● 2.40	2.50	2.55	V	
Line Regulation	$4.5\text{V} \leq V_{IN} \leq 36\text{V}$	●	0.01	0.02	%/V	
Load Regulation	$-2\text{mA} \leq I_{REF} \leq 2\text{mA}$, $V_{IN} = 12\text{V}$	●	0.4	0.8	%	
Output Source Current	$V_{IN} = 5\text{V}$	● 2			mA	
Output Sink Current	$V_{IN} = 5\text{V}$	● 2			mA	
Regulator						
Supply Current	$V_{IN} = 6\text{V}$, $I_{OUT} \leq 100\mu\text{A}$ $V_{IN} = 36\text{V}$, $I_{OUT} \leq 100\mu\text{A}$ $V_{IN} = 12\text{V}$, $I_{OUT} = 125\text{mA}$	●	65	95	μA	
Output Current	$(V_{IN} - V_{OUT}) \geq 1\text{V}$, $V_{IN} \geq 6\text{V}$	●	125		mA	
Load Regulation	$(V_{IN} - V_{OUT}) \geq 1\text{V}$, $V_{IN} \geq 6\text{V}$	●		1	%	
Line Regulation	$6\text{V} \leq V_{IN} \leq 36\text{V}$	●		0.02	%/V	
Dropout Voltage	$I_{OUT} = 100\mu\text{A}$ $I_{OUT} = 125\text{mA}$	●		0.06	V	
Feedback Sense Voltage	$V_{IN} = 12\text{V}$	●	2.38	2.5	2.57	V
Feedback Bias Current		●		50	nA	
Minimum Load Current	$V_{IN} = 36\text{V}$	●		50	μA	
Short-Circuit Current	$V_{IN} = 36\text{V}$	●	300	400	mA	

ELECTRICAL CHARACTERISTICS

The ● denotes the specifications which apply over the full operating temperature range, otherwise specifications are at $T_A = 25^\circ\text{C}$.

PARAMETER	CONDITIONS	MIN	TYP	MAX	UNITS
Comparator					
Offset Voltage		●		10	mV
Bias Current	$V_{IN} = 36\text{V}$ (Note 2)	●	15	60	nA
Gain	$\Delta V_{OUT} = 29\text{V}$, $R_L = 20\text{k}$	●	1000		V/V
Output Sink Current	$V_{IN} = 4.5\text{V}$ (Note 3)	●	5	10	mA
Leakage Current	$V_{IN} = 36\text{V}$	●		8	μA

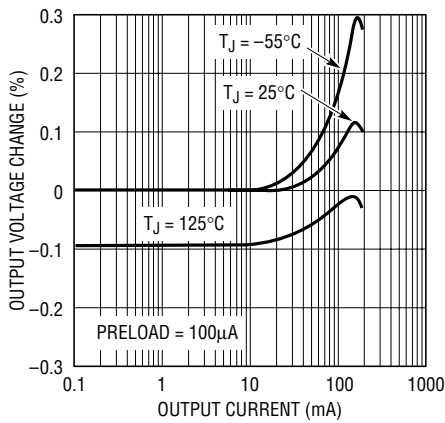
Note 1: Absolute Maximum Ratings are those values beyond which the life of a device may be impaired.

Note 2: $T_A > 85^\circ\text{C}$, I_{bias} maximum is 100nA.

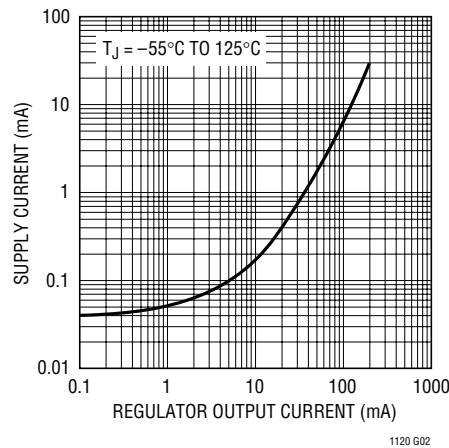
Note 3: For $T_A \leq -40^\circ\text{C}$ output current sink drops to 2.5mA.

TYPICAL PERFORMANCE CHARACTERISTICS

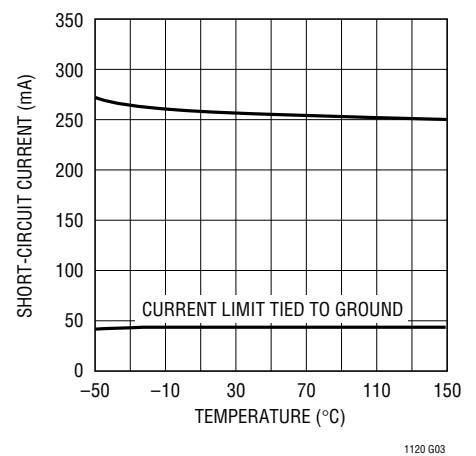
Regulator Load Regulation



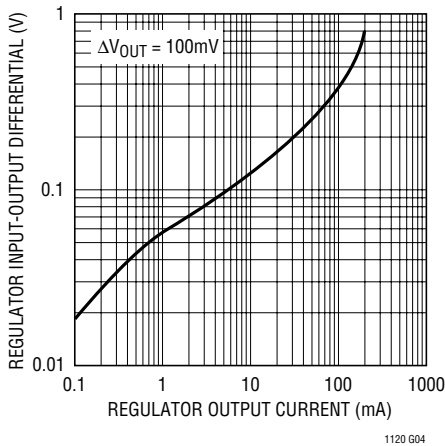
Supply Current



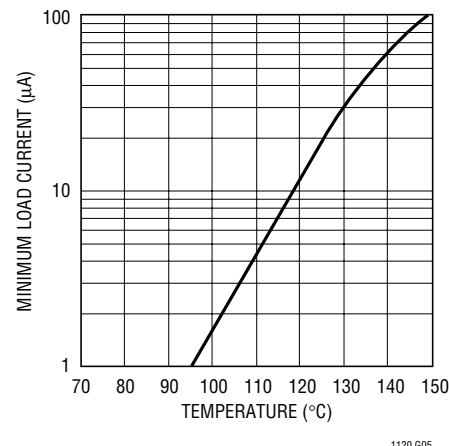
Regulator Short-Circuit Current



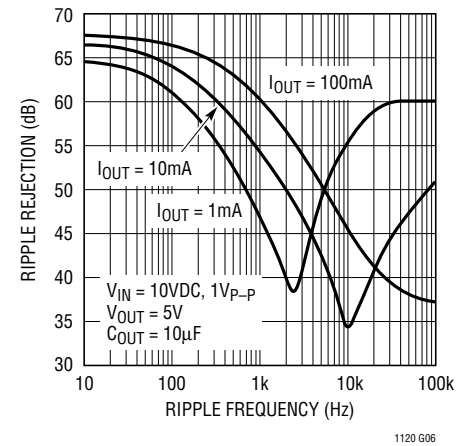
Dropout Voltage



Regulator Minimum Load Current

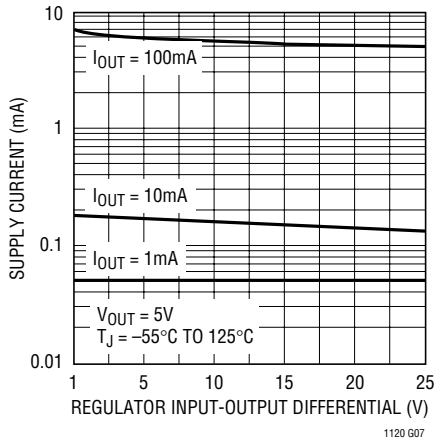


Regulator Ripple Rejection

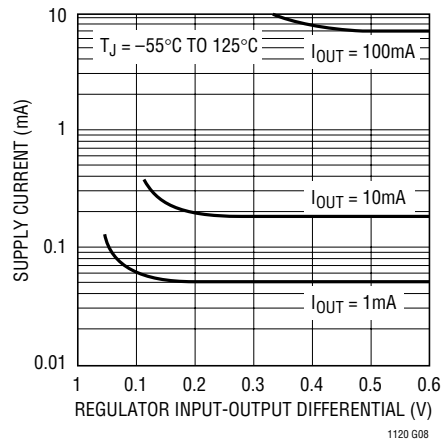


TYPICAL PERFORMANCE CHARACTERISTICS

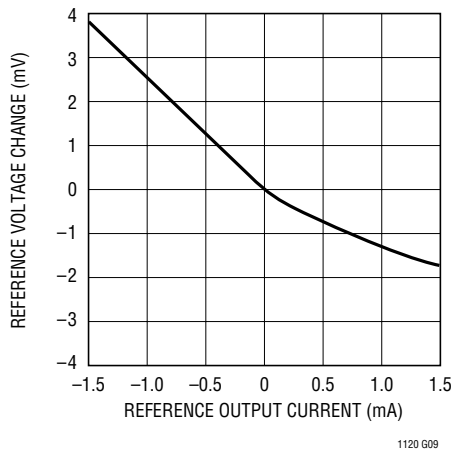
Supply Current



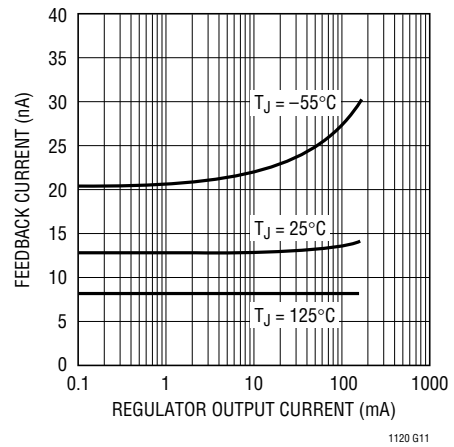
Supply Current at Dropout



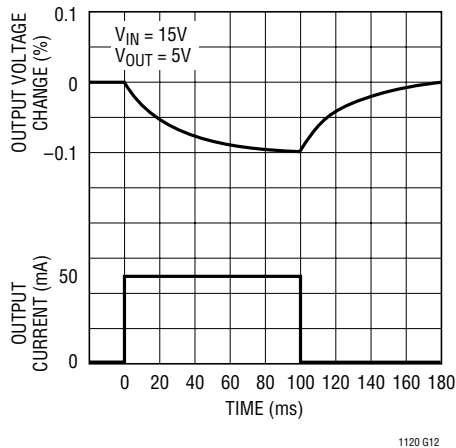
Reference Regulation



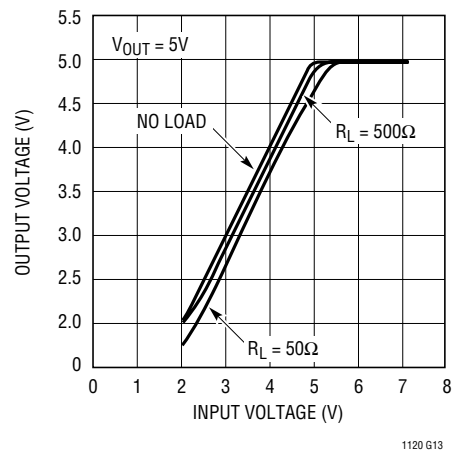
Feedback Pin Current



Regulator Thermal Regulation



LT1120 Turn-On Characteristic



PIN FUNCTIONS

GND (Pin 1): Ground.

FB (Pin 2): Feedback. This is the feedback point of the regulator. When operating, it is nominally at 2.5V. Optimum source resistance is 200k to 500k. The feedback pin should not be driven below ground or more positive than 5V.

SHDN (Pin 3): Shutdown. A logic 1 shuts off the main regulator. Caution: noise or leakage into the shutdown pin can affect output voltage.

V_{OUT} (Pin 4): Regulator Output. Main output, requires a 10 μ F output capacitor. Can be shorted to V_{IN} or ground without damaging the device.

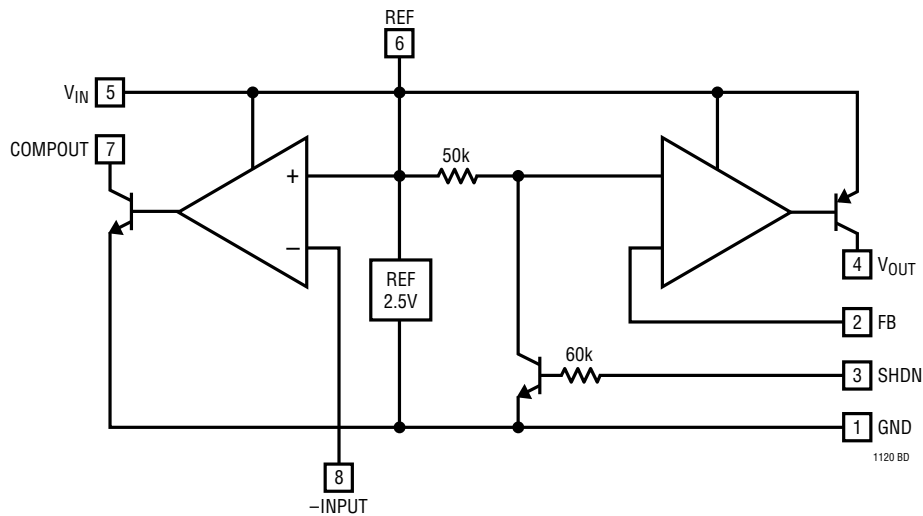
V_{IN} (Pin 5): Input Supply. Bypass with a 10 μ F capacitor. Must always be more positive than ground.

REF (Pin 6): Reference. 2.5V can source or sink current. May be shorted to ground or up to 5V. Voltages in excess of 5V can damage the device.

COMPOUT (Pin 7): Comparator Output. May be connected to any voltage from ground to 36V more positive than ground (operates above V_{IN}). Short-circuit protected.

-INPUT (Pin 8): Comparator Input. Inverting comparator input.

BLOCK DIAGRAM



APPLICATIONS INFORMATION

The LT1120 is especially suited for micropower system applications. For example, the comparator section of the LT1120 may be used as a battery checker to provide an indication of low battery. Another type of system application for the LT1120 would be to generate the equivalent of split supplies off of a single power input. The regulator section provides regulated output voltage and the reference, which can both source and sink current, is then an artificial system ground providing a split supply for the system.

For many applications the comparator can be frequency compensated to operate as an amplifier. Compensation values for various gains are given in the data sheet. The comparator gain is purposely low to make it easier to frequency compensate as an amplifier. The NPN output is capable of sinking 10mA and can drive loads connected to voltages in excess of the positive power supply. This is useful for driving switches or linear regulators off of a higher input voltage.

APPLICATIONS INFORMATION

Reference

Internal to the LT1120 is a 2.5V trimmed class B output reference. The reference was designed to be able to source or sink current so it could be used in supply splitting applications as well as a general purpose reference for external circuitry. The design of the reference allows it to source typically 4mA or 5mA and sink 2mA. The available source and sink current decreases as temperature increases. It is sometimes desirable to decrease the AC output impedance by placing an output capacitor on them. The reference in the LT1120 becomes unstable with large capacitive loads placed directly on it. When using an output capacitor, about 20Ω should be used to isolate the capacitor from the reference pin. This 20Ω resistor can be placed directly in series with the capacitor or alternatively the reference line can have 20Ω placed in series with it and then a capacitor to ground. This is shown in Figure 1. Other than placing large capacitive loads on the reference, no other precautions are necessary and the reference is stable with nominal stray capacitances.

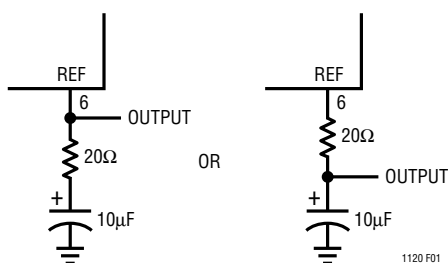


Figure 1. Bypassing Reference

Overload Protection

The main regulator in the LT1120 is current limited at approximately 250mA. The current limit is stable with both input voltage and temperature.

Like most other IC regulators, a minimum load is required on the output of the LT1120 to maintain regulation. For most standard regulators this is normally specified at 5mA. Of course, for a micropower regulator this would be a tremendously large current. The output must be large enough to absorb all the leakage current of the pass transistor at the maximum operating temperature. It also affects the transient response; low output currents have long recovery times from load transients. At high operating temperatures the minimum load current increases and having too low of a load current may cause the output to go unregulated. Devices are tested for minimum load current at high temperature. The output voltage setting resistors to the feedback terminal can usually be used to provide the minimum load current.

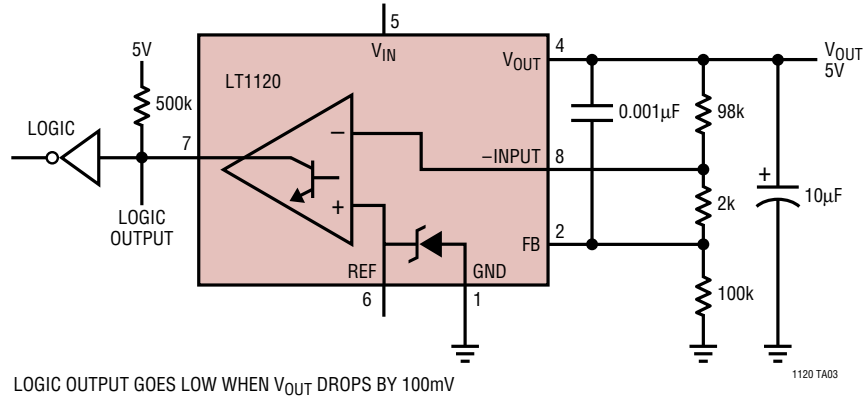
Frequency Compensation

The LT1120 is frequency compensated by a dominant pole on the output. An output capacitor of $10\mu\text{F}$ is usually large enough to provide good stability. Increasing the output capacitor above $10\mu\text{F}$ further improves stability. In order to ensure stability, a feedback capacitor is needed between the output pin and the feedback pin. This is because stray capacitance can form another pole with the large value of feedback resistors used with the LT1120. Also, a feedback capacitor minimizes noise pickup and improves ripple rejection.

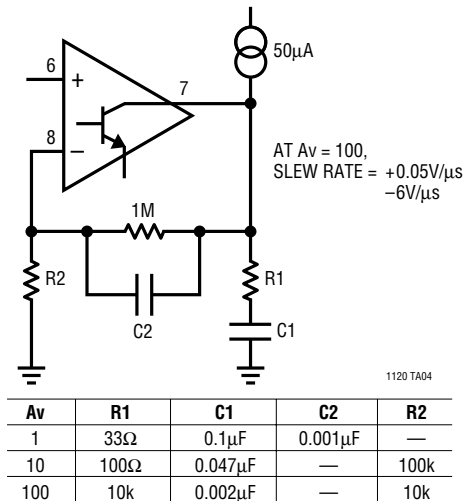
With the large dynamic operating range of the output current, 10000:1, frequency response changes widely. Low AC impedance capacitors are needed to insure stability. While solid tantalum are best, aluminum electrolytics can be used but larger capacitor values may be needed.

TYPICAL APPLICATIONS

Regulator with Output Voltage Monitor

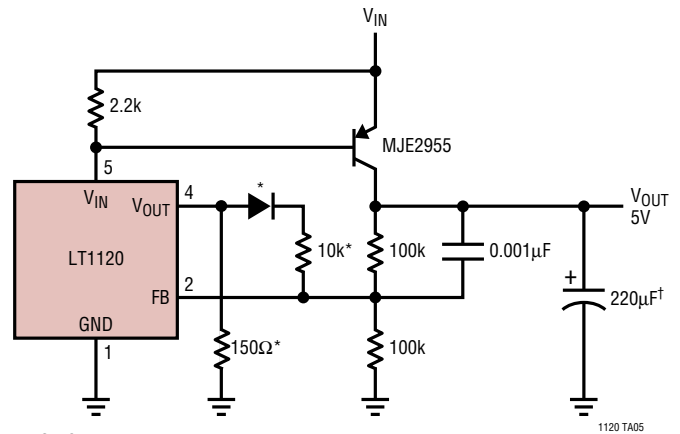


Compensating the Comparator as an Op Amp



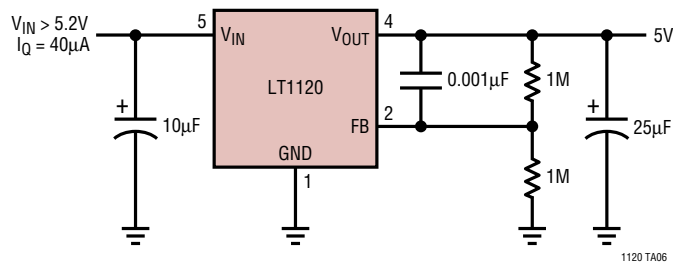
A_v	R1	C1	C2	R2
1	33 Ω	0.1 μF	0.001 μF	—
10	100 Ω	0.047 μF	—	100k
100	10k	0.002 μF	—	10k

1A Low Dropout Regulator

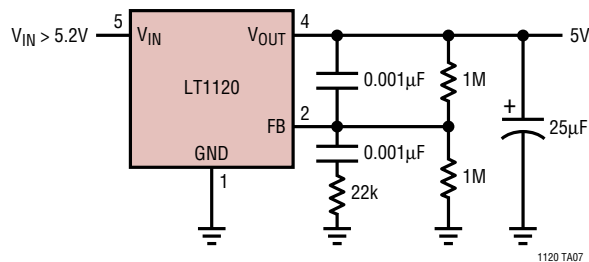


TYPICAL APPLICATIONS

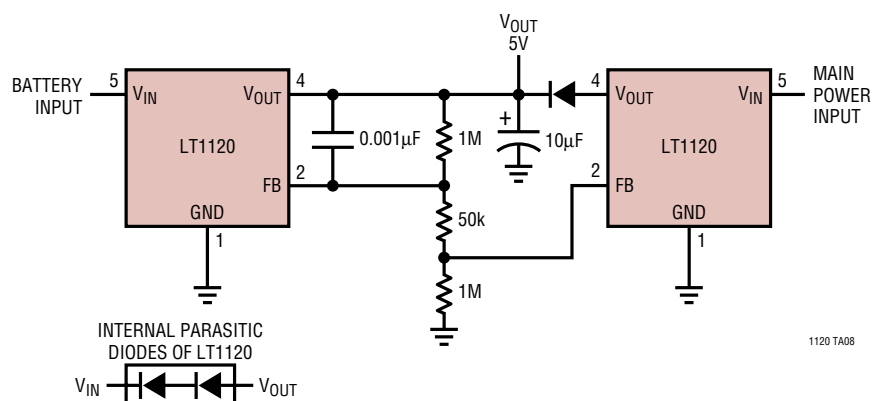
5V Regulator



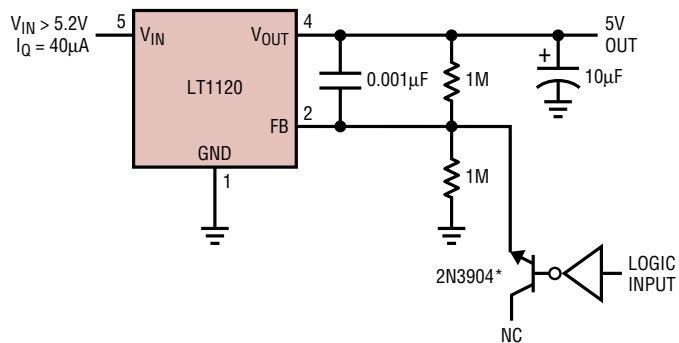
Regulator with Improved Transient Response



Battery-Backup Regulator

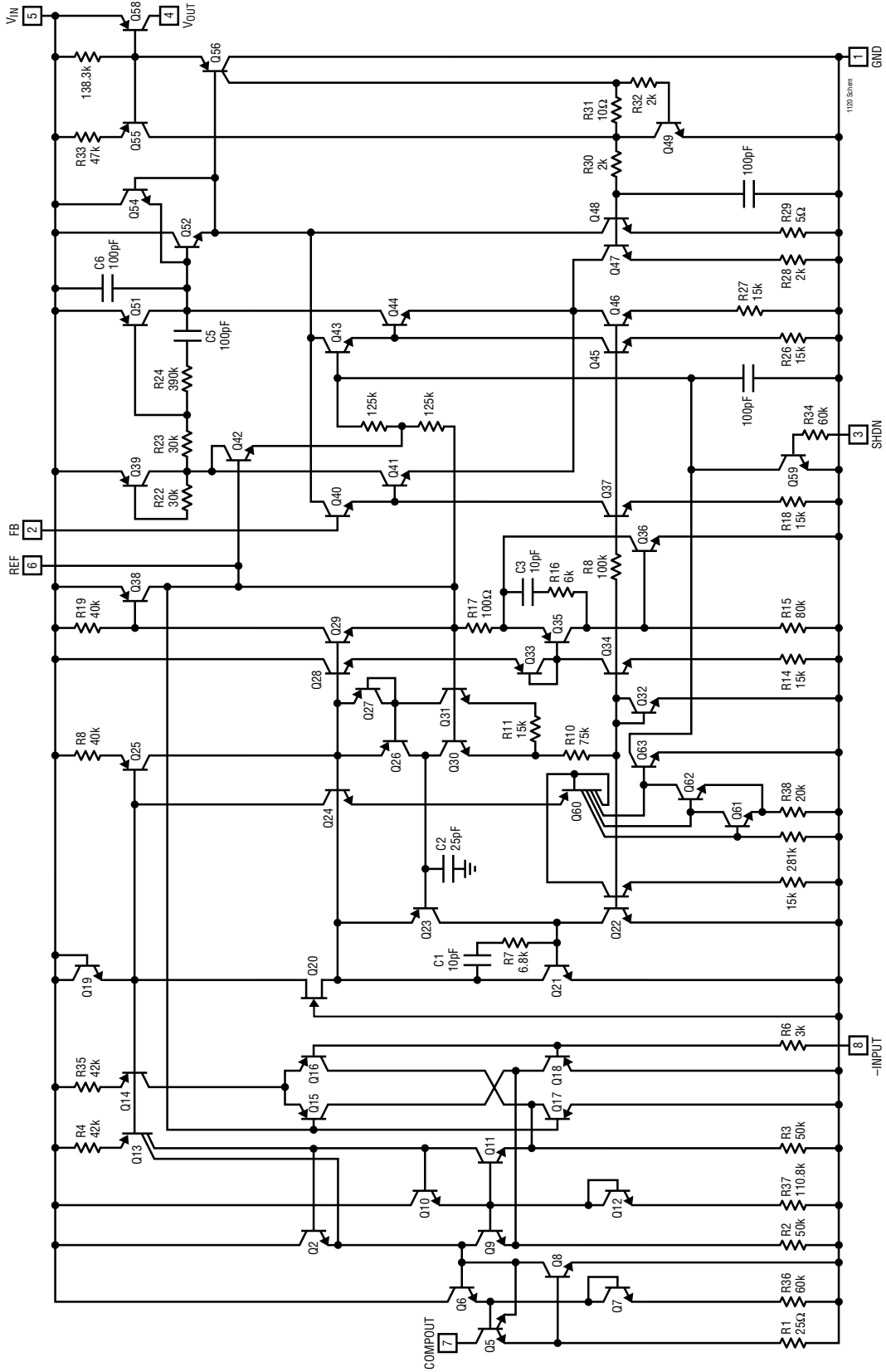


5V Regulator with Feedback Shutdown



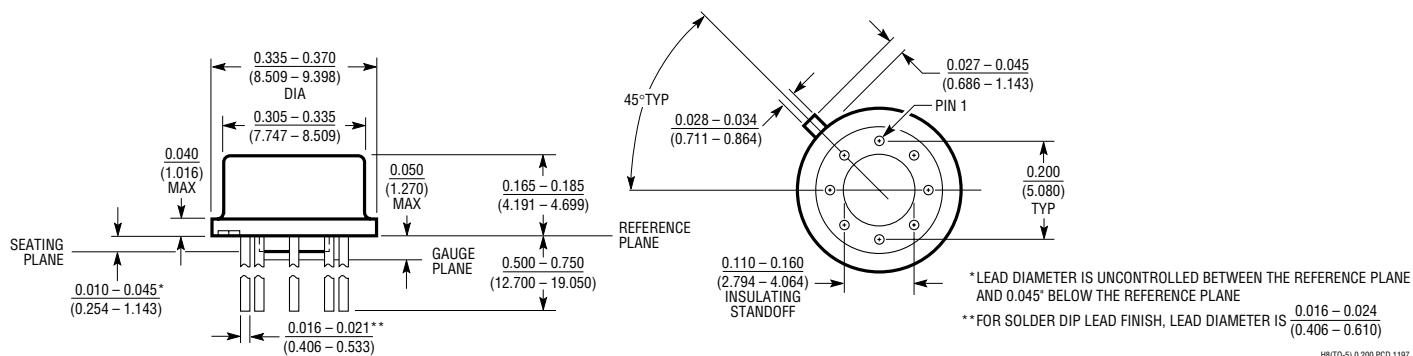
* TRANSISTOR USED BECAUSE OF LOW LEAKAGE CHARACTERISTICS. TO TURN OFF THE OUTPUT OF THE LT1120 FORCE FB (PIN 2) > 2.5V.

SCHEMATIC DIAGRAM



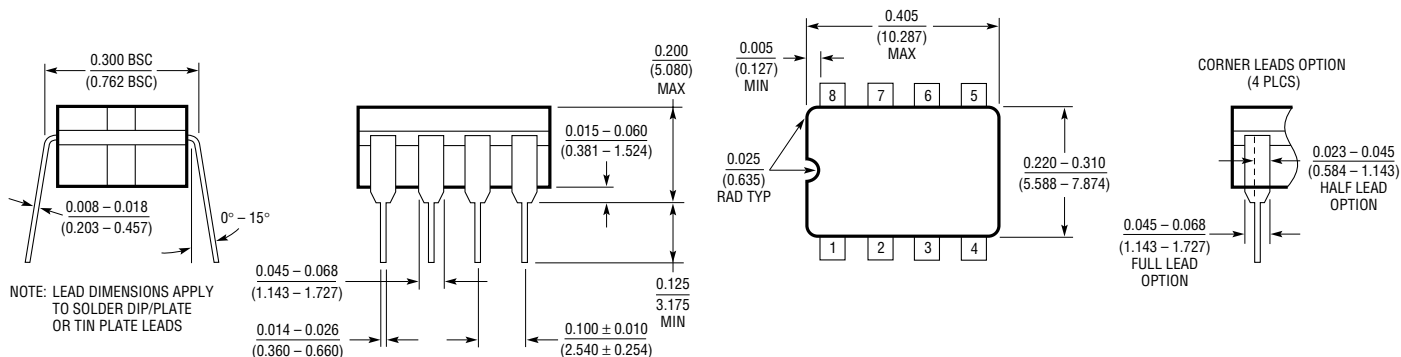
PACKAGE DESCRIPTION Dimensions in inches (millimeters) unless otherwise noted.

H Package
8-Lead TO-5 Metal Can (0.200 PCD)
 (LTC DWG # 05-08-1320)



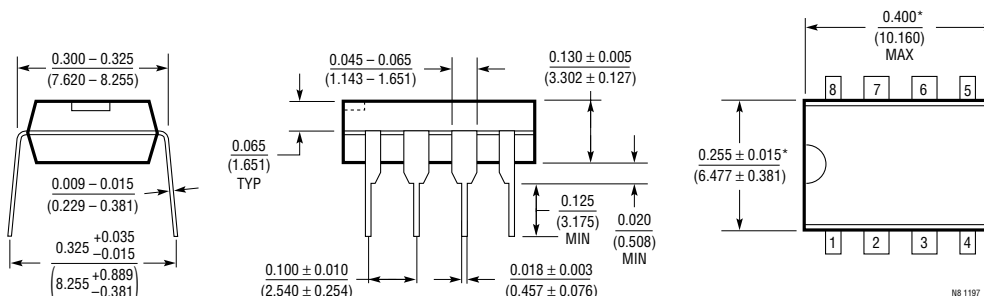
HR(TO-5) 0.200 PCD 1197

J8 Package
8-Lead CERDIP (Narrow 0.300, Hermetic)
 (LTC DWG # 05-08-1110)



J8 1197

N8 Package
8-Lead PDIP (Narrow 0.300)
 (LTC DWG # 05-08-1510)

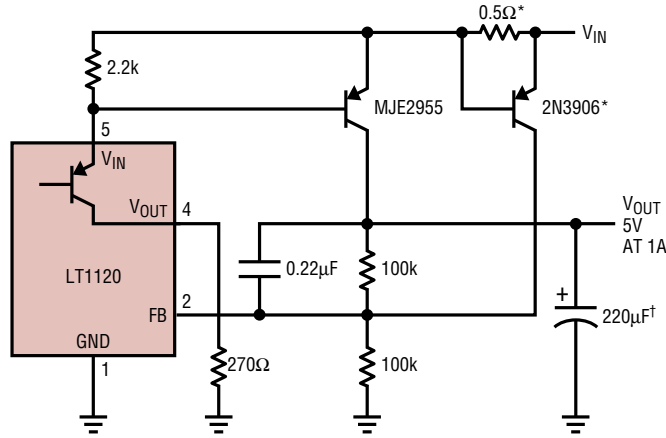


N8 1197

*THESE DIMENSIONS DO NOT INCLUDE MOLD FLASH OR PROTRUSIONS.
 MOLD FLASH OR PROTRUSIONS SHALL NOT EXCEED 0.010 INCH (0.254mm)

TYPICAL APPLICATION

Current Limited 1A Regulator



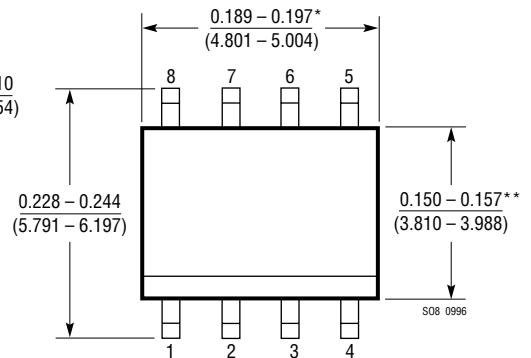
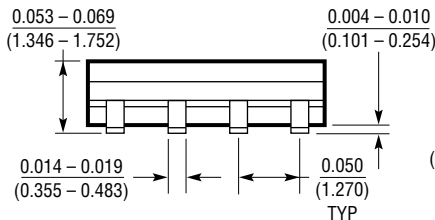
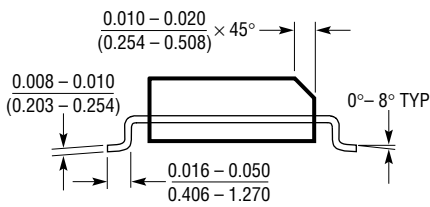
* SETS CURRENT LIMIT BUT INCREASES DROPOUT VOLTAGE BY 0.5V.
 † MUST HAVE LOW ESR. SEVERAL 100μF CAPACITORS CAN BE PARALLELED.

1120 TA10

PACKAGE DESCRIPTION

Dimensions in inches (millimeters) unless otherwise noted.

S8 Package
8-Lead Plastic Small Outline (Narrow 0.150)
 (LTC DWG # 05-08-1610)



* DIMENSION DOES NOT INCLUDE MOLD FLASH. MOLD FLASH SHALL NOT EXCEED 0.006" (0.152mm) PER SIDE

** DIMENSION DOES NOT INCLUDE INTERLEAD FLASH. INTERLEAD FLASH SHALL NOT EXCEED 0.010" (0.254mm) PER SIDE

RELATED PARTS

PART NUMBER	DESCRIPTION	COMMENTS
LT1121	150mA Micropower Low Dropout Regulator	0.4V Dropout Voltage, Includes Shutdown
LT1521	300mA Micropower Low Dropout Regulator	Lowest I _Q Low Dropout Regulator
LT1761	Micropower Low Noise, Low Dropout Regulator	SOT-23, 20μV _{RMS} Noise, 20μA I _Q