

FEATURES

- Allows Safe Board Insertion and Removal from a Live -48V Backplane
- Circuit Breaker Immunity to Voltage Steps and Current Spikes
- Programmable Inrush and Short-Circuit Current Limits
- Pin Compatible with LT1640L/LT1640H
- Operates from -20V to -80V
- Programmable Overvoltage Protection
- Programmable Undervoltage Lockout
- Power Good Control Output
- Bell-Core Compatible $\overline{\text{ON/OFF}}$ Threshold

APPLICATIONS

- Central Office Switching
- -48V Distributed Power Systems
- Negative Power Supply Control

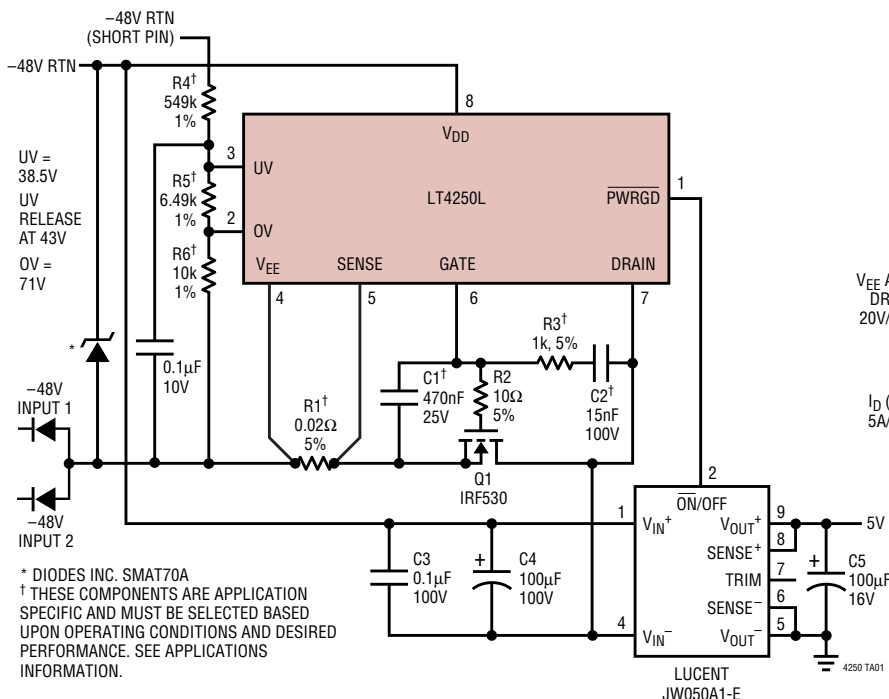
DESCRIPTION

The LT[®]4250L/LT4250H are 8-pin, negative 48V Hot Swap[™] controllers that allow a board to be safely inserted and removed from a live backplane. Inrush current is limited to a programmable value by controlling the gate voltage of an external N-channel pass transistor. The pass transistor is turned off if the input voltage is less than the programmable undervoltage threshold or greater than the overvoltage threshold. A programmable current limit protects the system against shorts. After a $500\mu\text{s}$ timeout the current limit activates the electronic circuit breaker. The $\overline{\text{PWRGD}}$ (LT4250L) or PWRGD (LT4250H) signal can be used to directly enable a power module. The LT4250L is designed for modules with a low enable input and the LT4250H for modules with a high enable input.

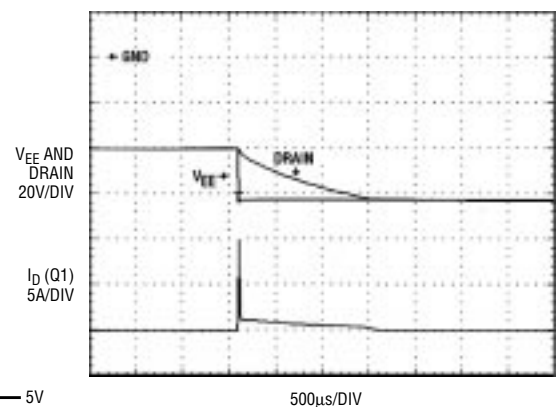
The LT4250L/LT4250H are available in 8-pin PDIP and SO packages.

LT, LTC and LT are registered trademarks of Linear Technology Corporation. Hot Swap is a trademark of Linear Technology Corporation.

TYPICAL APPLICATION



Voltage Step On Input Supply



LT4250L/LT4250H

ABSOLUTE MAXIMUM RATINGS (Note 1), All Voltages Referred to V_{EE}

| | | | |
|---|---------------|--|----------------|
| Supply Voltage (V _{DD} – V _{EE}) | –0.3V to 100V | Operating Temperature Range | |
| PWRGD, PWRGD Pins | –0.3V to 100V | LT4250LC/LT4250HC | 0°C to 70°C |
| SENSE, GATE Pins | –0.3V to 20V | LT4250LI/LT4250HI | –40°C to 85°C |
| UV, OV Pins | –0.3V to 60V | Storage Temperature Range | –65°C to 150°C |
| DRAIN Pin | –2V to 100V | Lead Temperature (Soldering, 10 sec) | 300°C |
| Maximum Junction Temperature | 125°C | | |

PACKAGE/ORDER INFORMATION

| TOP VIEW | ORDER PART NUMBER | TOP VIEW | ORDER PART NUMBER |
|--|--|--|--|
| <p>N8 PACKAGE 8-LEAD PDIP</p> <p>S8 PACKAGE 8-LEAD PLASTIC SO</p> <p>T_{JMAX} = 125°C, θ_{JA} = 120°C/W (N8) T_{JMAX} = 125°C, θ_{JA} = 150°C/W (S8)</p> | LT4250LCN8 LT4250LCS8 LT4250LIN8 LT4250LIS8 | <p>N8 PACKAGE 8-LEAD PDIP</p> <p>S8 PACKAGE 8-LEAD PLASTIC SO</p> <p>T_{JMAX} = 125°C, θ_{JA} = 120°C/W (N8) T_{JMAX} = 125°C, θ_{JA} = 150°C/W (S8)</p> | LT4250HCN8 LT4250HCS8 LT4250HIN8 LT4250HIS8 |
| S8 PART MARKING | | S8 PART MARKING | |
| 4250L 4250LI | | 4250H 4250HI | |

Consult LTC Marketing for parts specified with wider operating temperature ranges.

ELECTRICAL CHARACTERISTICS The ● denotes the specifications which apply over the full operating temperature range, otherwise specifications are at T_A = 25°C. (Note 2), V_{DD} = 48V, V_{EE} = 0V unless otherwise noted.

| SYMBOL | PARAMETER | CONDITIONS | MIN | TYP | MAX | UNITS | |
|--------------------|--------------------------------|---|-----|-------|-------|-------|----|
| DC | | | | | | | |
| V _{DD} | Supply Voltage Operating Range | | ● | 20 | 80 | V | |
| I _{DD} | Supply Current | UV = 3V, OV = V _{EE} , SENSE = V _{EE} | ● | 1.6 | 5 | mA | |
| V _{UVL} | Undervoltage Lockout | | ● | 15.4 | | V | |
| V _{CL} | Current Limit Trip Voltage | V _{CL} = (V _{SENSE} – V _{EE}) | ● | 40 | 50 | 60 | mV |
| I _{PU} | GATE Pin Pull-Up Current | Gate Drive On, V _{GATE} = V _{EE} | ● | –30 | –45 | –60 | μA |
| I _{PD} | GATE Pin Pull-Down Current | Gate Drive OFF | | 24 | 50 | 70 | mA |
| I _{SENSE} | SENSE Pin Current | V _{SENSE} = 50mV | | –20 | | | μA |
| ΔV _{GATE} | External Gate Drive | (V _{GATE} – V _{EE}), 20V ≤ V _{DD} ≤ 80V | ● | 10 | 13.5 | 18 | V |
| V _{UVH} | UV Pin High Threshold Voltage | UV Increasing | ● | 1.240 | 1.255 | 1.270 | V |
| V _{UVL} | UV Pin Low Threshold Voltage | UV Decreasing | ● | 1.105 | 1.125 | 1.145 | V |
| V _{UVHY} | UV Pin Hysteresis | | | 130 | | | mV |
| I _{IUV} | UV Pin Input Current | V _{UV} = V _{EE} | ● | –0.02 | –0.5 | | μA |
| V _{OVH} | OV Pin High Threshold Voltage | OV Increasing | ● | 1.235 | 1.255 | 1.275 | V |
| V _{OVL} | OV Pin Low Threshold Voltage | OV Decreasing | ● | 1.210 | 1.235 | 1.255 | V |

4250lhf

ELECTRICAL CHARACTERISTICS The ● denotes the specifications which apply over the full operating temperature range, otherwise specifications are at $T_A = 25^\circ\text{C}$. (Note 2), $V_{DD} = 48\text{V}$, $V_{EE} = 0\text{V}$ unless otherwise noted.

| SYMBOL | PARAMETER | CONDITIONS | MIN | TYP | MAX | UNITS | |
|-------------|--|--|-----|-------|------|---------------|---------------|
| V_{OVHY} | OV Pin Hysteresis | | | 20 | | mV | |
| I_{INOV} | OV Pin Input Current | $V_{OV} = V_{EE}$ | ● | -0.03 | -0.5 | μA | |
| V_{DL} | DRAIN Low Threshold | $V_{DRAIN} - V_{EE}$, DRAIN Decreasing | 1.1 | 1.6 | 2.3 | V | |
| V_{GH} | GATE High Threshold | $\Delta V_{GATE} - V_{GATE}$ Decreasing | | 1.3 | | V | |
| I_{DRAIN} | Drain Input Bias Current | $V_{DRAIN} = 48\text{V}$ | ● | 10 | 80 | 500 | μA |
| V_{OL} | PWRGD Output Low Voltage | PWRGD (LT4250L), ($V_{DRAIN} - V_{EE}$) < V_{DL} $I_{OUT} = 1\text{mA}$ $I_{OUT} = 5\text{mA}$ | ● | 0.48 | 0.8 | V | |
| | | | ● | 1.2 | 3.0 | V | |
| | PWRGD Output Low Voltage (PWRGD – DRAIN) | PWRGD (LT4250H), $V_{DRAIN} = 5\text{V}$ $I_{OUT} = 1\text{mA}$ | ● | 0.75 | 1.0 | V | |
| I_{OH} | Output Leakage | PWRGD (LT4250L), $V_{DRAIN} = 48\text{V}$, $V_{PWRGD} = 80\text{V}$ | ● | 0.05 | 10 | μA | |
| | | PWRGD (LT4250H), $V_{DRAIN} = 0\text{V}$, $V_{PWRGD} = 80\text{V}$ | ● | 0.05 | 10 | μA | |

AC

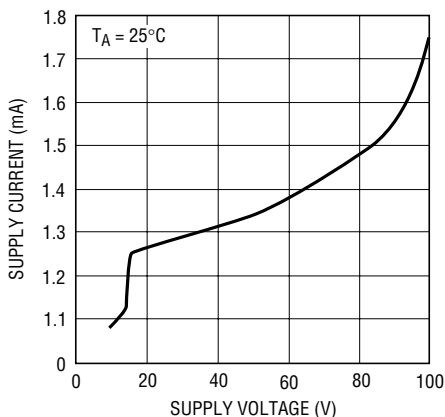
| | | | | | | |
|----------------|---|--------------------------|--|-----|---|---------------|
| t_{PHLOV} | OV High to GATE Low | Figures 1a, 2 | | 1.7 | | μs |
| t_{PHLUV} | UV Low to GATE Low | Figures 1a, 3 | | 1.5 | | μs |
| t_{PLHOV} | OV Low to GATE High | Figures 1a, 2 | | 5.5 | | μs |
| t_{PLHUV} | UV High to GATE High | Figures 1a, 3 | | 6.5 | | μs |
| $t_{PHLSENSE}$ | SENSE High to Gate Low | Figures 1a, 4a | | 1 | 3 | μs |
| t_{PHLCB} | Current Limit to GATE Low | Figures 1b, 4b | | 500 | | μs |
| t_{PHLDL} | DRAIN Low to PWRGD Low DRAIN Low to (PWRGD – DRAIN) High | (LT4250L) Figures 1a, 5a | | 1 | | μs |
| | | (LT4250H) Figures 1a, 5a | | 1 | | μs |
| t_{PHLGH} | GATE High to PWRGD Low GATE High to (PWRGD – DRAIN) High | (LT4250L) Figures 1a, 5b | | 1.5 | | μs |
| | | (LT4250H) Figures 1a, 5b | | 1.5 | | μs |

Note 1: Absolute Maximum Ratings are those values beyond which the life of a device may be impaired.

Note 2: All currents into device pins are positive; all currents out of device pins are negative. All voltages are referenced to V_{EE} unless otherwise specified.

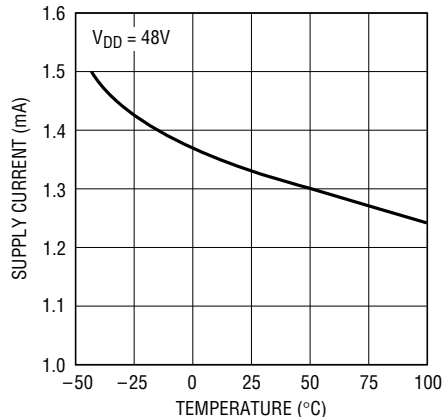
TYPICAL PERFORMANCE CHARACTERISTICS

Supply Current vs Supply Voltage



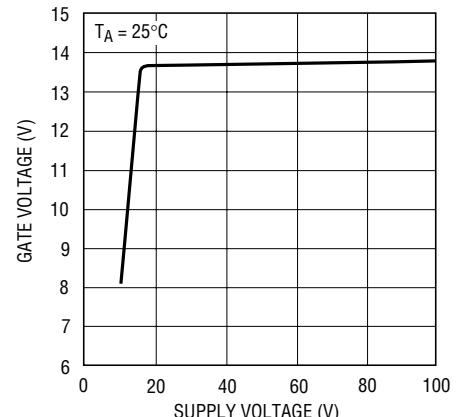
1640 G01

Supply Current vs Temperature



1640 G02

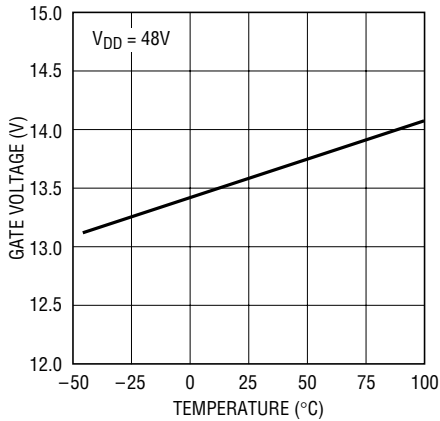
Gate Voltage vs Supply Voltage



1640 G03
4250Hf

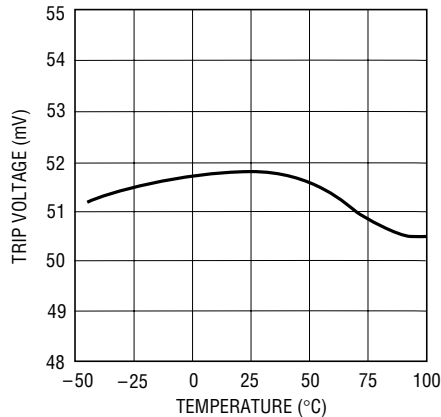
TYPICAL PERFORMANCE CHARACTERISTICS

Gate Voltage vs Temperature



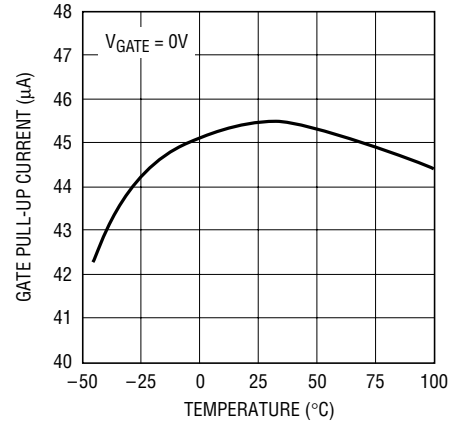
1640 G04

Current Limit Trip Voltage vs Temperature



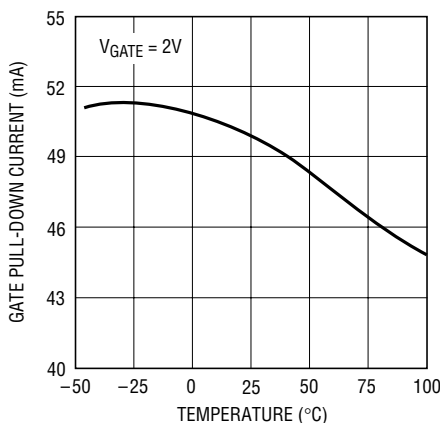
1640 G05

Gate Pull-Up Current vs Temperature



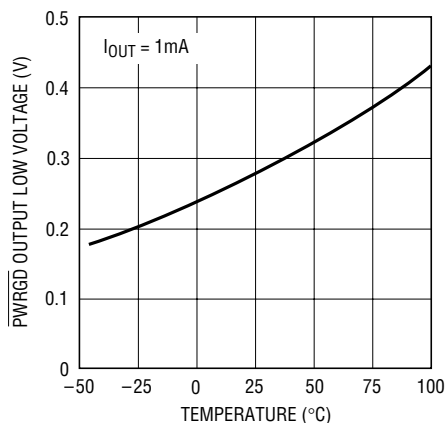
1640 G06

Gate Pull-Down Current vs Temperature



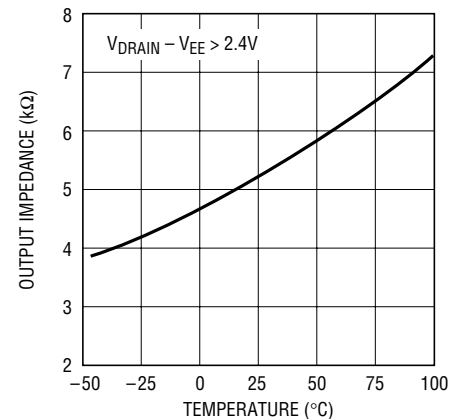
1640 G07

PWRGD Output Low Voltage vs Temperature (LT4250L)



1640 G08

PWRGD Output Impedance vs Temperature (LT4250H)



1640 G09

PIN FUNCTIONS

PWRGD/PWRGD (Pin 1): Power Good Output Pin. This pin will latch a power good indication when V_{DRAIN} is within V_{DL} of V_{EE} and V_{GATE} is within V_{GH} of ΔV_{GATE} . This pin can be connected directly to the enable pin of a power module.

When the DRAIN pin of the LT4250L is above V_{EE} by more than V_{DL} or V_{GATE} is more than V_{GH} from ΔV_{GATE} , the PWRGD pin will be high impedance, allowing the pull-up current of the module's enable pin to pull the pin high and turn the module off. When V_{DRAIN} drops below V_{DL} and V_{GATE} rises above V_{GH} , the PWRGD pin sinks current to V_{EE} , pulling the enable pin low and turning on the module.

This condition is latched until the GATE pin is turned off via the UV, OV, UVLO or the electronic circuit breaker.

When the DRAIN pin of the LT4250H is above V_{EE} by more than V_{DL} or V_{GATE} is more than V_{GH} from ΔV_{GATE} , the PWRGD pin will sink current to the DRAIN pin which pulls the module's enable pin low, forcing it off. When V_{DRAIN} drops below V_{DL} and V_{GATE} rises above V_{GH} , the PWRGD sink current is turned off, allowing the module's pull-up current to pull the enable pin high and turn on the module. This condition is latched until the GATE pin is turned off via the UV, OV, UVLO or the electronic circuit breaker.

PIN FUNCTIONS

OV (Pin 2): Analog Overvoltage Input. When OV is pulled above the 1.255V threshold, an overvoltage condition is detected and the GATE pin will be immediately pulled low. The GATE pin will remain low until OV drops below the 1.235V threshold.

UV (Pin 3): Analog Undervoltage Input. When UV is pulled below the 1.125V threshold, an undervoltage condition is detected and the GATE pin will be immediately pulled low. The GATE pin will remain low until UV rises above the 1.255 threshold.

The UV pin is also used to reset the electronic circuit breaker. If the UV pin is cycled low and high following the trip of the circuit breaker, the circuit breaker is reset and a normal power-up sequence will occur. The response time for this pin is 1.5 μ s. Add an external capacitor to this pin for additional filtering.

V_{EE} (Pin 4): Negative Supply Voltage Input. Connect to the lower potential of the power supply.

SENSE (Pin 5): Circuit Breaker Sense Pin. With a sense resistor placed in the supply path between V_{EE} and SENSE, the overcurrent condition will pull down the GATE pin and regulate the voltage across the resistor to be 50mV. If the overcurrent condition exists for more than 500 μ s the electronic circuit breaker will trip and turn off the external MOSFET.

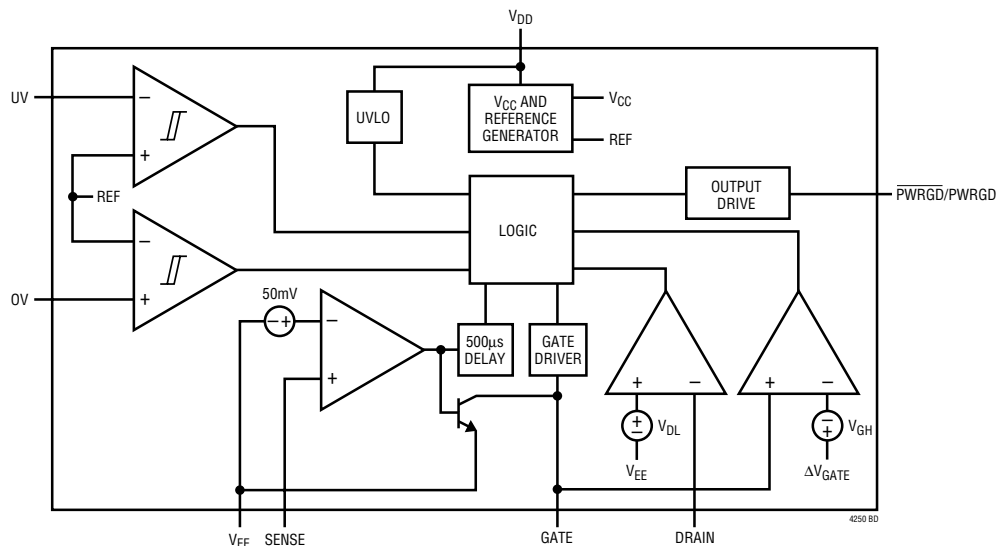
If the current limit value is set to twice the normal operating current, only 25mV is dropped across the sense resistor during normal operation. To disable the current limit feature, V_{EE} and SENSE can be shorted together.

GATE (Pin 6): Gate Drive Output for the External N-Channel MOSFET. The GATE pin will go high when the following start-up conditions are met: the UV pin is high, the OV pin is low, (V_{SENSE} - V_{EE}) < 50mV and the V_{DD} pin is greater than V_{UVLOH}. The GATE pin is pulled high by a 45 μ A current source and pulled low with a 50mA current source. During current limit the GATE pin is pulled low using a 100mA current source.

DRAIN (Pin 7): Analog Drain Sense Input. Connect this pin to the drain of the external N-channel MOSFET and the V⁻ pin of the power module. When the DRAIN pin is below V_{DL}, the PWRGD/PWRGD pin will latch to indicate the switch is on.

V_{DD} (Pin 8): Positive Supply Voltage Input. Connect this pin to the higher potential of the power supply inputs and the V⁺ pin of the power module. An undervoltage lockout circuit disables the chip until the V_{DD} pin is greater than the 16V V_{UVLOH} threshold.

BLOCK DIAGRAM



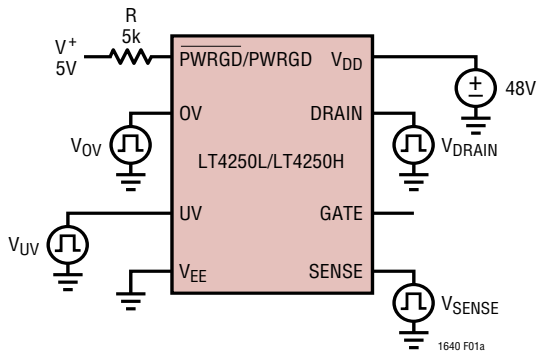


Figure 1a. Test Circuit 1

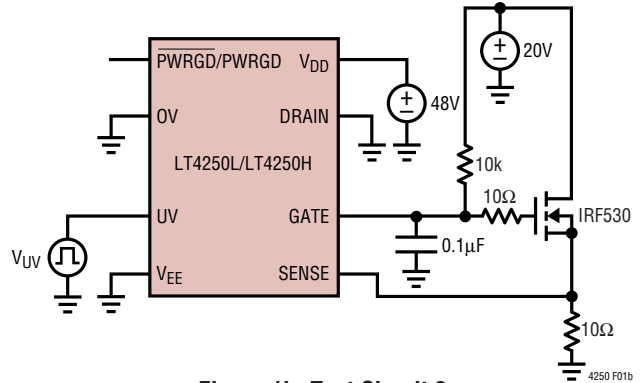


Figure 1b. Test Circuit 2

TIMING DIAGRAMS

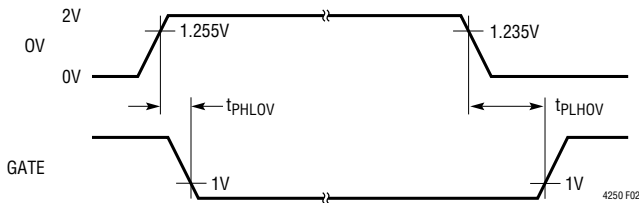


Figure 2. OV to GATE Timing

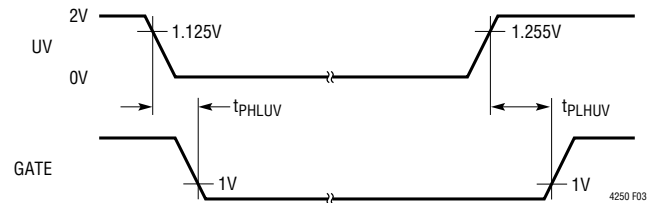


Figure 3. UV to GATE Timing

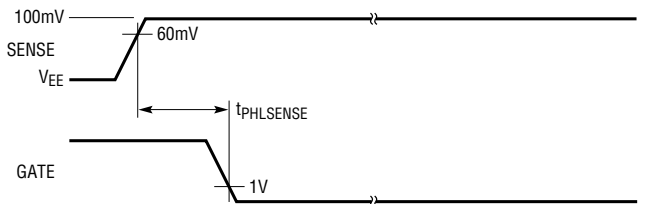


Figure 4a. SENSE to GATE Timing

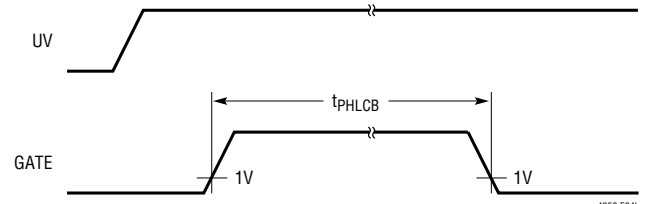


Figure 4b. Active Current Limit Timeout

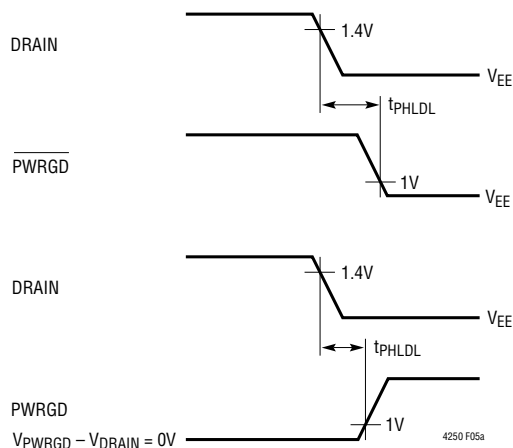


Figure 5a. DRAIN to PWRGD/PWRGD Timing

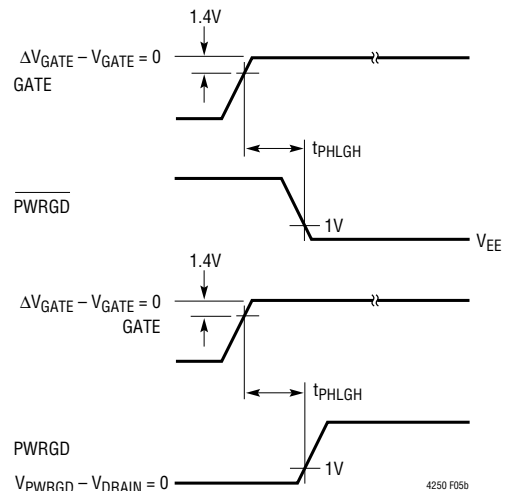


Figure 5b. GATE to PWRGD/PWRGD Timing

4250lf

APPLICATIONS INFORMATION

Hot Circuit Insertion

When circuit boards are inserted into a live –48V backplane, the bypass capacitors at the input of the board’s power module or switching power supply can draw huge transient currents as they charge up. The transient currents can cause permanent damage to the board’s components and cause glitches on the system power supply.

The LT4250 is designed to turn on a board’s supply voltage in a controlled manner, allowing the board to be safely inserted or removed from a live backplane. The chip also provides undervoltage, overvoltage and overcurrent protection while keeping the power module off until its input voltage is stable and within tolerance.

Power Supply Ramping

The input to the power module on a board is controlled by placing an external N-channel pass transistor (Q1) in the power path (Figure 6a, all waveforms are with respect to the V_{EE} pin of the LT4250). R1 provides current fault detection and R2 prevents high frequency oscillations. Resistors R4, R5 and R6 provide undervoltage and overvoltage sensing. By ramping the gate of Q1 up at a slow rate, the inrush current charging load capacitors C3 and C4 can be limited to a safe value when the board makes connection.

Resistor R3 and capacitor C2 act as a feedback network to accurately control the inrush current. The C2 capacitor can be calculated with the following equation:

$$C2 = (45\mu\text{A} \cdot C_L) / I_{\text{INRUSH}}$$

where C_L is the total load capacitance = C3 + C4 + module input capacitance.

Capacitor C1 and resistor R3 prevent Q1 from momentarily turning on when the power pins first make contact. Without C1 and R3, capacitor C2 would pull the gate of Q1 up to a voltage roughly equal to V_{EE} • C2/C_{GS(Q1)} before the LT4250 could power up and actively pull the gate low. By placing capacitor C1 in parallel with the gate capacitance of Q1 and isolating them from C2 using resistor R3 the problem is solved. The value of C1 is given by:

$$C1 = \left(\frac{V_{\text{INMAX}} - V_{\text{TH}}}{V_{\text{TH}}} \right) \cdot (C2 + C_{\text{GD}})$$

$$C1 \cong 35 \cdot C2 \text{ for } V_{\text{INMAX}} = 72\text{V}$$

where V_{TH} is the MOSFET’s minimum gate threshold and V_{INMAX} is the maximum operating input voltage.

R3 should not exceed a value that produces an R3 • C2 time-constant of 150μs. A 1k value for R3 will ensure this for C2 values up to 150nF.

The waveforms are shown in Figure 6b. When the power pins make contact, they bounce several times. While the contacts are bouncing, the LT4250 senses an undervoltage condition and the GATE is immediately pulled low when the power pins are disconnected.

Once the power pins stop bouncing, the GATE pin starts to ramp up. When Q1 turns on, the GATE voltage is held constant by the feedback network of R3 and C2. When the DRAIN voltage has finished ramping, the GATE pin then ramps to its final value.

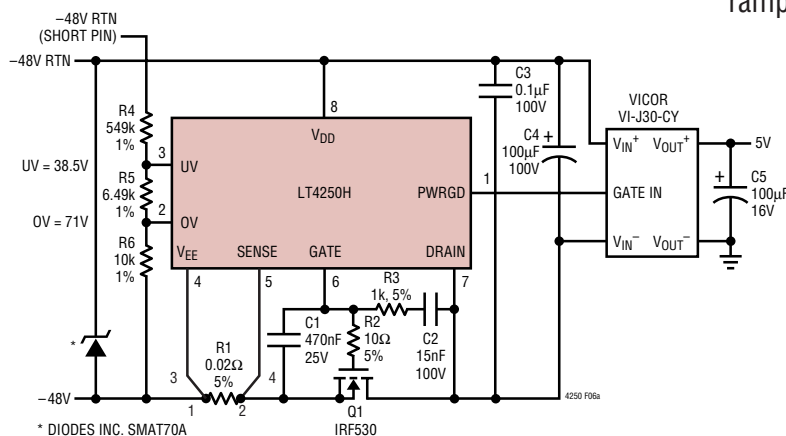


Figure 6a. Inrush Control Circuitry

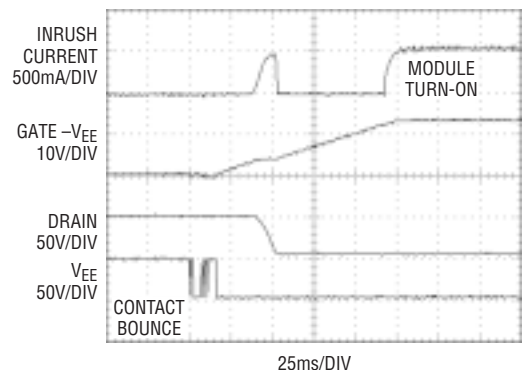


Figure 6b. Inrush Control Waveforms

APPLICATIONS INFORMATION

Current Limit/Electronic Circuit Breaker

The LT4250 features a current limit function that protects against short circuits or excessive supply currents. If the current limit is active for more than 500µs the electronic circuit breaker will trip. By placing a sense resistor between the V_{EE} and SENSE pin, the current limit will be activated whenever the voltage across the sense resistor is greater than 50mV.

Note that the current limit threshold should be set sufficiently high to account for the sum of the load current and the inrush current. The maximum value of the inrush current is given by:

$$I_{\text{INRUSH}} \leq 0.8 \cdot \left(\frac{40\text{mV}}{R_{\text{SENSE}}} \right) - I_{\text{LOAD}}$$

where the 0.8 factor is used as a worst case margin combined with the minimum trip voltage (40mV).

In the case of a short circuit, the current limit circuitry activates and immediately pulls the GATE low, servos the SENSE voltage to 50mV, and starts a 500µs timer. The MOSFET current is limited to 50mV/R_{SENSE} (see Figure 7). If the short circuit persists for more than 500µs, the circuit breaker trips and pulls the GATE pin low, shutting off the MOSFET. The circuit breaker is reset by pulling UV low, or by cycling power to the part. If the short circuit clears before the 500µs timing interval the current limit will deactivate and release the GATE.

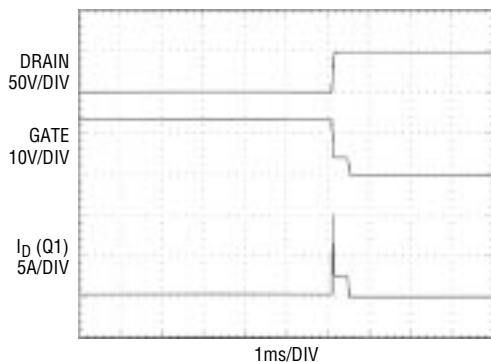


Figure 7. Short-Circuit Protection Waveforms

The LT4250 guards against voltage steps on the input supply. A positive voltage step (increasing in magnitude) on the input supply causes an inrush current that is proportional to the voltage slew rate $I = C_L \cdot \Delta V / \Delta T$. If the inrush exceeds 50mV/R_{SENSE}, the current limit will activate as shown in Figure 8. The GATE pin pulls low, limiting the current to 50mV/R_{SENSE}. At this level the MOSFET drain will not follow the source as the input voltage rapidly changes, but instead remains at the voltage stored on the load capacitance. The load capacitance begins to charge at a current of 50mV/R_{SENSE}, but not for long. As the load capacitance charges, C2 pushes back on the gate and limits the MOSFET current in a manner identical to the initial start-up condition which is less than the short circuit limiting value of 50mV/R_{SENSE}. Thus the circuit breaker does not trip. To ensure correct operation under input voltage step conditions, R_{SENSE} must be chosen to provide a current limit value greater than the sum of the load current and the dynamic current in the load capacitance.

For C2 values less than 10nF a positive voltage step on the input supply can result in the Q1 turning off momentarily which can shut down the output. By adding an additional resistor and diode, Q1 remains on during the voltage step. This is shown as D1 and R7 in Figure 9. The purpose of D1 is to shunt current around R7 when the power pins first make contact and allow C1 to hold the GATE low. The value of R7 should be sized to generate an R7 • C1 time constant of 33µs.

Under some conditions, a short circuit at the output can cause the input supply to dip below the UV threshold. The LT4250 turns off once and then turns on until the electronic circuit breaker is tripped. This can be minimized by adding a deglitching delay to the UV pin with a capacitor from UV to V_{EE}. This capacitor forms an RC time constant with the resistors at UV, allowing the input supply to recover before the UV pin resets the circuit breaker.

APPLICATIONS INFORMATION

A circuit that automatically resets the circuit breaker after a current fault is shown in Figure 10. Transistors Q2 and Q3 along with R7, R8, C4 and D1 form a programmable one-shot circuit. Before a short occurs, the GATE pin is pulled high and Q3 is turned on, pulling node 2 to V_{EE} . Resistor R8 turns off Q2. When a short occurs, the GATE pin is pulled low and Q3 turns off. Node 2 starts to charge

C4 and Q2 turns on, pulling the UV pin low and resetting the circuit breaker. As soon as C4 is fully charged, R8 turns off Q2, UV goes high and the GATE starts to ramp up. Q3 turns back on and quickly pulls node 2 back to V_{EE} . Diode D1 clamps node 3 one diode drop below V_{EE} . The duty cycle is set to 10% to prevent Q1 from overheating.

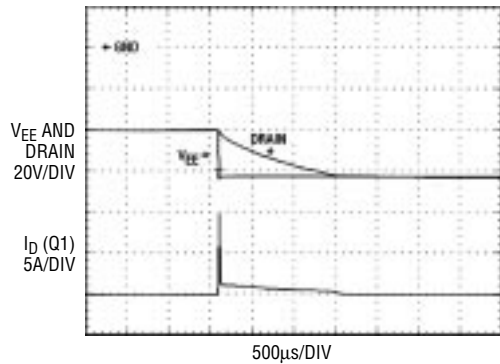


Figure 8. Voltage Step on Input Supply Waveforms

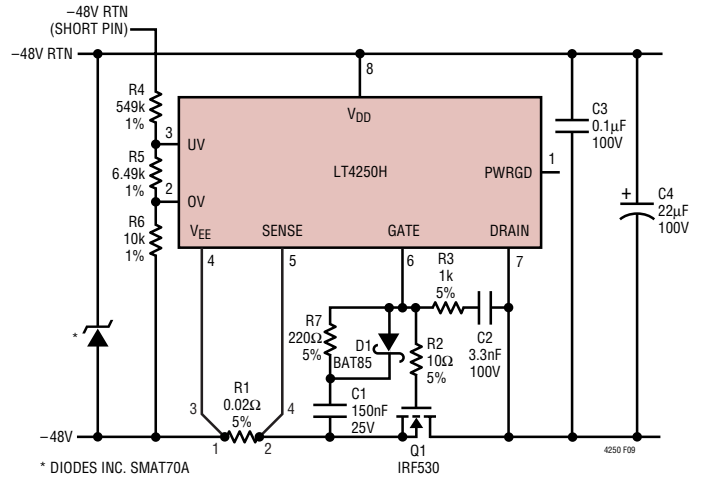


Figure 9. Circuit for Input Steps with Small C2 (<10nF)

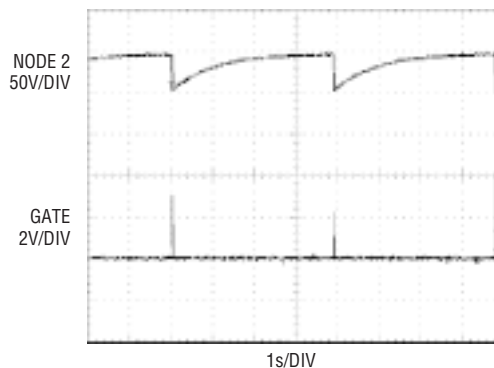
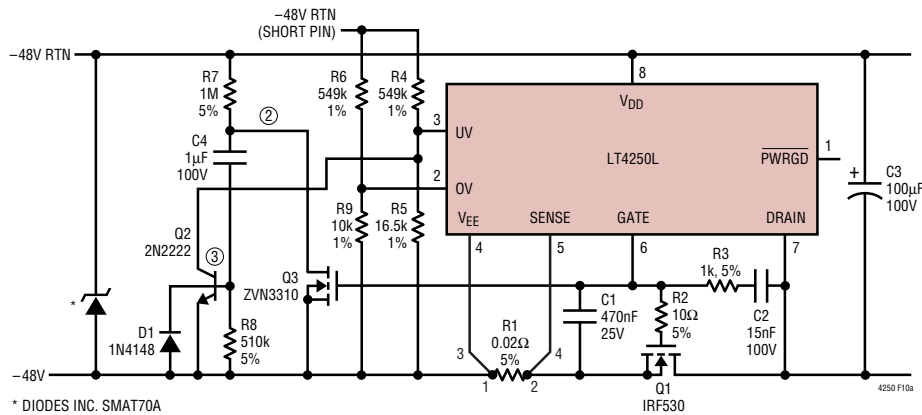


Figure 10. Automatic Restart After Current Fault

APPLICATIONS INFORMATION

Undervoltage and Overvoltage Detection

The UV (Pin 3) and OV (Pin 2) pins can be used to detect undervoltage and overvoltage conditions at the power supply input. The UV and OV pins are internally connected to analog comparators with 130mV and 20mV of hysteresis respectively. When the UV pin falls below its threshold or the OV pin rises above its threshold, the GATE pin is immediately pulled low. The GATE pin will be held low until UV is high and OV is low.

The undervoltage and overvoltage trip voltages can be programmed using a three resistor divider as shown in Figure 11. With $R4 = 549k$, $R5 = 6.49k$ and $R6 = 10k$, the undervoltage threshold is set to 38.5V (with a 43V release from undervoltage) and the overvoltage threshold is set to 71V. The resistor divider will also gain up the hysteresis at the UV pin and OV pin to 4.5V and 1.2V at the input respectively.

PWRGD/PWRGD Output

The $\overline{PWRGD}/PWRGD$ output can be used to directly enable a power module when the input voltage to the module is within tolerance. The LT4250L has a \overline{PWRGD} output for modules with an active low enable input, and the LT4250H has a PWRGD output for modules with an active high enable input.

When the DRAIN voltage of the LT4250H is high with respect to V_{EE} (Figure 12) or the GATE voltage is low, the

internal transistor Q3 is turned off and I_1 and Q2 clamp the PWRGD pin one SAT drop ($\approx 0.3V$) above the DRAIN pin. Transistor Q2 sinks the module's pull-up current and the module turns off.

When the DRAIN voltage drops below V_{DL} and the GATE voltage is high, Q3 will turn on, shorting the bottom of I_1 to DRAIN and turning Q2 off. The pull-up current in the module pulls the PWRGD pin high and enables the module.

When the DRAIN voltage of the LT4250L is high with respect to V_{EE} or the GATE voltage is low, the internal pull-down transistor Q2 is off and the \overline{PWRGD} pin is in a high impedance state (Figure 13). The \overline{PWRGD} pin will be pulled high by the module's internal pull-up current source, turning the module off. When the DRAIN voltage drops below V_{DL} and the GATE voltage is high, Q2 will turn on and the \overline{PWRGD} pin will pull low, enabling the module.

The \overline{PWRGD} signal can also be used to turn on an LED or optoisolator to indicate that the power is good as shown in Figure 14.

Gate Pin Voltage Regulation

When the supply voltage to the chip is more than 20V, the GATE pin voltage is regulated at 13.5V above V_{EE} . The gate voltage will be no greater than 18V for supply voltages up to 80V.

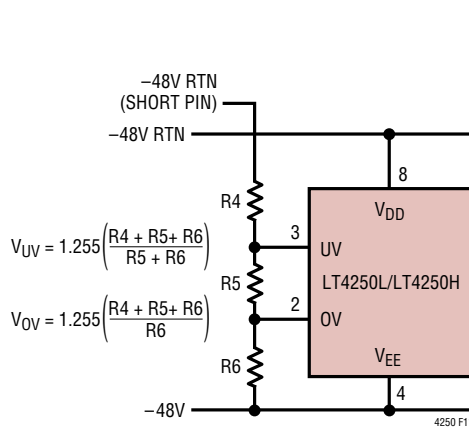


Figure 11. Undervoltage and Overvoltage Sensing

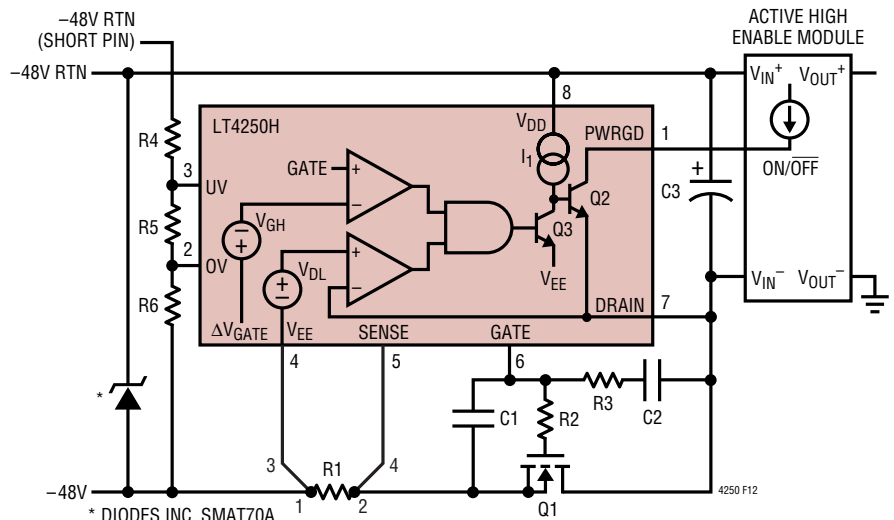


Figure 12. Active High Enable Module

APPLICATIONS INFORMATION

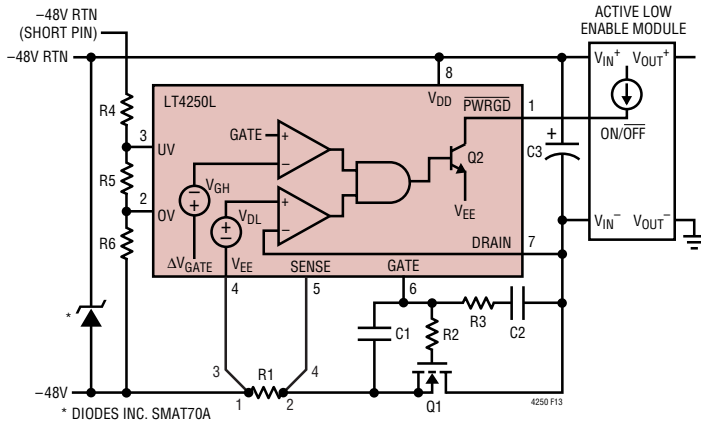


Figure 13. Active Low Enable Module

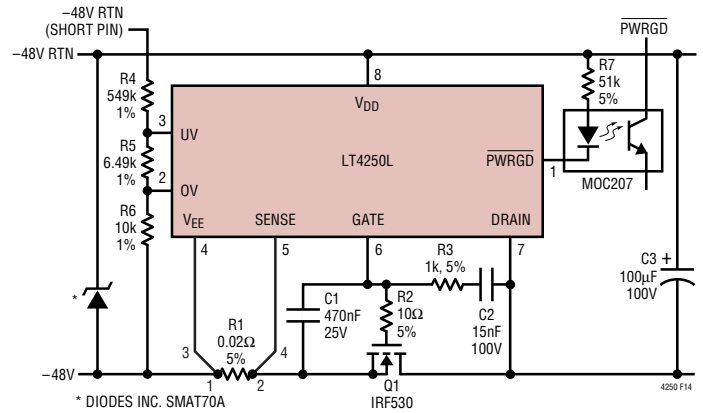
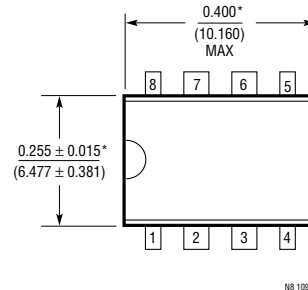
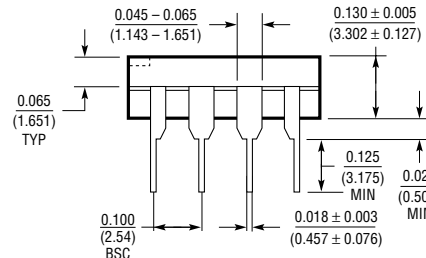
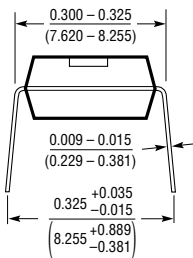


Figure 14. Using PWRGD to Drive an Optoisolator

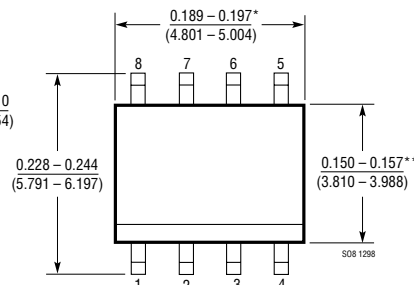
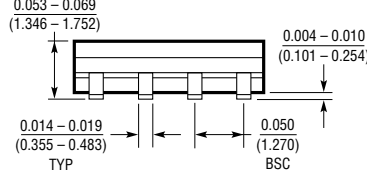
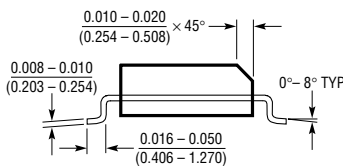
PACKAGE DESCRIPTION

N8 Package 8-Lead PDIP (Narrow .300 Inch) (Reference LTC DWG # 05-08-1510)



*THESE DIMENSIONS DO NOT INCLUDE MOLD FLASH OR PROTRUSIONS.
MOLD FLASH OR PROTRUSIONS SHALL NOT EXCEED 0.010 INCH (0.254mm)

S8 Package 8-Lead Plastic Small Outline (Narrow .150 Inch) (Reference LTC DWG # 05-08-1610)



*DIMENSION DOES NOT INCLUDE MOLD FLASH. MOLD FLASH SHALL NOT EXCEED 0.006" (0.152mm) PER SIDE
**DIMENSION DOES NOT INCLUDE INTERLEAD FLASH. INTERLEAD FLASH SHALL NOT EXCEED 0.010" (0.254mm) PER SIDE

TYPICAL APPLICATION

Using an EMI Filter Module

Many applications place an EMI filter module in the power path to prevent switching noise of the module from being injected back onto the power supply. A typical application

using the Lucent FLTR100V10 filter module is shown in Figure 15. When using a filter, an optoisolator is required to prevent common mode transients from destroying the PWRGD and ON/OFF pins.

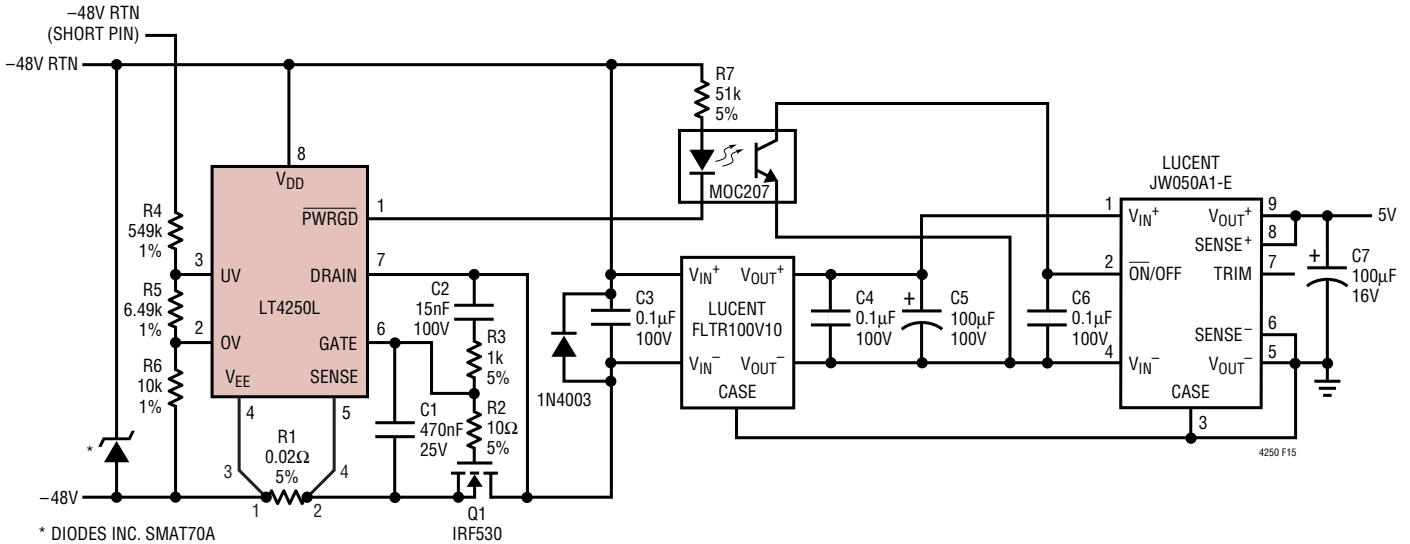


Figure 15. Typical Application Using a Filter Module

RELATED PARTS

| PART NUMBER | DESCRIPTION | COMMENTS |
|-------------------|--|--|
| LTC®1421 | Dual Hot Swap Controller with Additional -12V Control | Operates from 3V to 12V |
| LTC1422 | Hot Swap Controller in SO-8 | System Reset Output with Programmable Delay |
| LT1640AH/LT1640AL | -48V Hot Swap Controller in SO-8 | LT4250 is a Pin-Compatible Upgrade to LT1640 |
| LT1641-1/LT1641-2 | +48V Hot Swap Controller in SO-8 | Foldback Current Limit, 9V to 80V, Auto-Retry/Latch-Off |
| LTC1642 | Fault Protected Hot Swap Controller | Operates Up to 16.5V, Protected to 33V |
| LTC1643 | PCI Hot Swap Controller | 3.3V, 5V, 12V, -12V Supplies for PCI Bus |
| LTC1645 | Dual Hot Swap Controller | Operates from 1.2V to 12V, Power Sequencing |
| LTC1646 | Dual CompactPCI Hot Swap Controller | 3.3V, 5V Supplies with Precharge and Local PCI Reset Logic |
| LTC1647 | Dual Hot Swap Controller | Dual ON Pins for Supplies from 3V to 15V |
| LTC4211 | Hot Swap Controller with Multifunction Current Control | 2.5V to 16.5V Supplies, Active Inrush Current Limiting |
| LTC4251 | -48 Hot Swap Controller in SOT-23 | Active Current Limiting, Fast Comparator for Catastrophic Faults |
| LTC4252 | -48 Hot Swap Controller in MSOP | Active Current Limiting, Fast Comparator for Catastrophic Faults, Separate UV/OV Pins, Power-Good Output |