



### Features

- Covers the 315 to 640 Hz range (common call progress)
- Sensitivity to -38 dBm
- Dynamic range over 38 dB
- 40 ms minimum detect
- 8-pin DIP or 16-pin SOIC
- Single supply CMOS (low power)
- Supply range 2.8 to 5.5 VDC
- Inexpensive 3.58 MHz time base
- Low power consumption (<\_15 mW at 3V)

### Applications

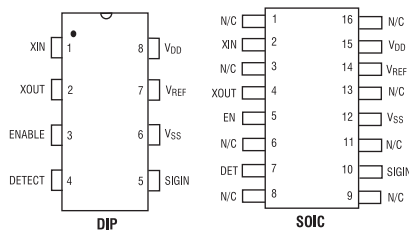
- Automatic dialers
- Dialing modems
- Traffic measurement equipment
- Test equipment
- Service evaluation
- Billing systems

### Description

The M-980-02 is an integrated circuit tone detector for general purpose use in automatic following of switched telephone calls. The circuit uses low-power CMOS techniques to provide the complete filtering and control required for this function. The basic timing of the M-980-02 is designed to permit operation with almost any progress tone system.

The use of integrated circuit techniques allows the M-980-02 to pack the complete frequency and amplitude portion of call progress following into a single 8-pin DIP or 16-pin SOIC. A 3.58 MHz crystal-controlled time base guarantees accuracy and repeatability. 3V/5V operation increases customer flexibility, improves reliability, and minimizes power consumption.

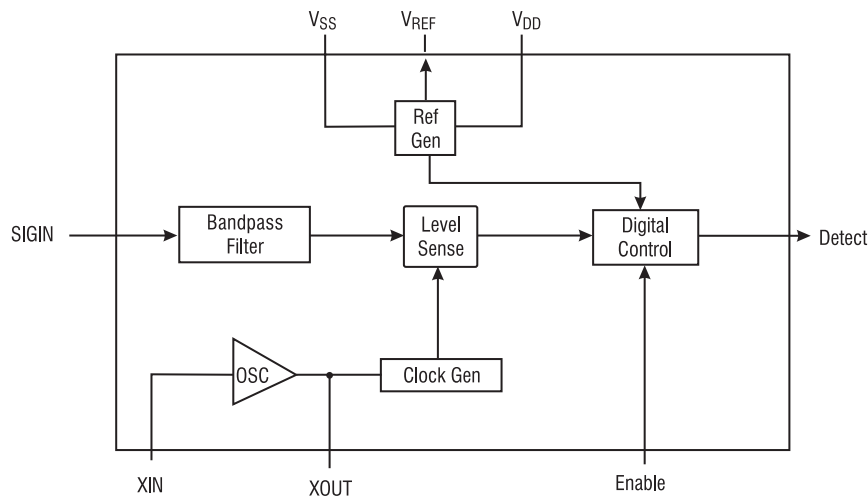
### Pin Diagram



### Ordering Information

Part #	Description
M-980-02P	8-pin plastic DIP
M-980-02S	16-pin SOIC
M-980-02T	16-pin SOIC, Tape and Reel

### Block Diagram



**M-980-02****Absolute Maximum Ratings**

DC Supply Voltage ( $V_{DD} - V_{SS}$ )	6.0V
Voltage on SIGNAL IN ( $V_{DD} + 0.5V$ ) to ( $V_{SS} - 12V$ )	
Voltage on Any Pin Except SIGNAL IN	$(V_{DD} + 0.5V)$ to $V_{SS} - 0.5V$
Storage Temperature Range	-65° to 150°C
Operating Temperature	-40°C to 85°C
Lead Soldering Temperature	260° for 5 seconds

**Note:**

Exceeding these ratings may permanently damage the M-980-02.

*Absolute Maximum Ratings are stress ratings. Stresses in excess of these ratings can cause permanent damage to the device. Functional operation of the device at these or any other conditions beyond those indicated in the operational sections of this data sheet is not implied. Exposure of the device to the absolute maximum ratings for an extended period may degrade the device and effect its reliability.*

**Specifications**

Parameter		Min	Max	Units	Notes	
Supply Current		-	5	mA	10-	
Signal Detection	Level (5V)	-38	0	dBm	1,2	
	Level (3V)	-40	0	dBm	-	
	Duration	40	-	ms	-	
Signal Rejection	Level	Inband (5V)	-	-50	dBm	1,2
		Inband (3V)	-	-55	dBm	-
		Outband	-	0	dBm	1,3
Quiet Interval Detect	Duration	40	-	ms	8	
		85	-	ms	9	
"Detect" Output Pin	Logic 0	-	0.5	V	4	
	Logic 1	$V_{DD} - 0.5$	-	V	4	
"Enable", "XIN" Input Pin	Logic 0	$V_{SS}$	$V_{SS} + 0.2$	V	5	
	Logic 1	$V_{DD} - 0.2$	$V_{DD}$	V	5	
"XIN" Duty Cycle		40	60	%	6	
"XOUT" Loading		-	10	pF	-	
"VREF" Output Pin	Deviation	-2	+2	%	7	
	Resistance	3.25	6.75	k $\Omega$	-	
"SIGIN" Input Pin	AC + DC level	$V_{SS} - 5V$	$V_{DD}$	V	-	
	Impedance (500 Hz)	80	-	k $\Omega$	-	
Power Consumption	3V operation	-	15	mW	-	
	5V operation	-	25	mW	-	

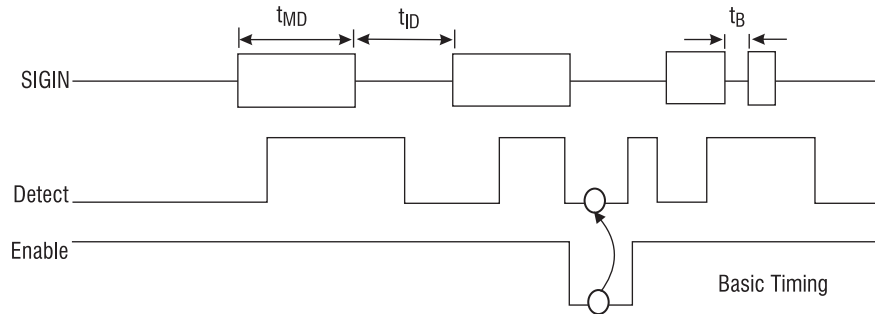
Unless otherwise noted,  $V_{DD} - V_{SS} = 2.8$  to  $5.5$  V and  $T_a = 25^\circ\text{C}$ **Notes:**

- 0 dBm =  $0.775 \text{ V}_{rms}$ .
- F = 315 to 640 Hz.
- F > 1025 Hz, < 190 Hz.
- Output current = 1 mA,  $V_{SS} - V_{DD} - 3.0V$ .
- Input current - 10 mA max.
- External clock.
- Nominal =  $(V_{DD} + V_{SS})/2$ .
- Signal dropping from -38 to -65 dBm.
- Signal dropping from -10 to -65 dBm.

**Pin Description**

Pin	Descriptions
SIGIN	Signal input AC or DC coupled (see level limitations elsewhere).
DETECT	Active output indicating signal detection. Activated by ENABLE.
ENABLE	Enables DETECT output. Used to mask signal activity.
$V_{DD}$	Most positive power supply pin.
$V_{REF}$	Internally generated reference voltage. $(V_{SS} + V_{DD}) / 2$ volts.
$V_{SS}$	Most negative power supply pin.
XIN, XOUT	Crystal attachment pins. XIN may be used as the input for an external 3.58 MHz clock.

## Signal Timing



### Call Progress Tone Detection

Call progress tones are audible tones sent from switching systems to calling parties to show the status of calls. Calling parties can identify the success of a call placed by what is heard after dialing. The type of tone used and its timing vary from system to system, and though intended for human ears these signals can provide valuable information for automated calling systems.

The M-980-02 is a signal detector sensitive to the frequencies most often used for these progress tones. Electronic equipment monitoring the DETECT output of the M-980-02 can determine the nature of signals present by measuring their duty cycle. See Figure 4 for a diagram of a circuit that could be used to permit a microcomputer to directly monitor tones on the telephone line. Much of the character of the progress tones is in their duty cycle or cadence (sometimes referred to as interruption rate). This information, coupled with level and frequency indication from the M-980-02, can be used to decide what progress tones have been encountered.

Table 5 shows some call progress tones with on/off times; 0.25/0.25 being 250 ms on, 250 ms off on a repeating basis. For example, dial tones as shown in the table are usually “on” continuously and last until the first dial digit is received by the switching system. Line Busy, on the other hand, is turned off and on at a rate of 1 Hz with a 50% duty cycle, or an interruption rate of

60 times per minute (60 IPM). The tones can be distinguished in this way.

It should be noted that while such techniques will usually be effective, there are some circumstances in which the M-980-02 cannot be accurately used. Examples include situations where ringback tone may be short or not even encountered. Ringback may be provided at ringing voltage frequency (20 or 30 Hz) with some harmonics and may not fall in the detect range, and speech or other strong noise may obscure tones making cadence measurement difficult.

Detection of “answer” is most difficult for many reasons. One way to determine if a called party has answered is by looking for a short burst of DETECT indications without a cadence match (produced by a click and “hello” at the far end). Some applications will require special methods like speech detection, but most can be reliably handled with the M-980-02 and simple cadence measurement.

As can be seen, the tones used for the same purposes in different systems may not be the same. Standards do exist and should be consulted for your particular application. In North America AT&Ts “Notes on the Network” or EIAs RS-464 PBX standard should be reviewed. In Europe tone plans may vary with locale, in which case the CEPT administration in each country must be consulted. Outside these areas, national PTT organizations can provide information on the systems within their borders.

### Device Timing

Time	Value	Significance
$t_{MD}$	40 ms	A valid tone will always be detected if it is at least 40 ms long.
$t_{ID}$	40 ms @ -38 dBm	Inter-tone gaps must be detected if greater than this duration.
	85 ms @ -10 dBm	
$t_B$	18 ms	Drop-outs of valid tone of up to 18 ms will be ignored.

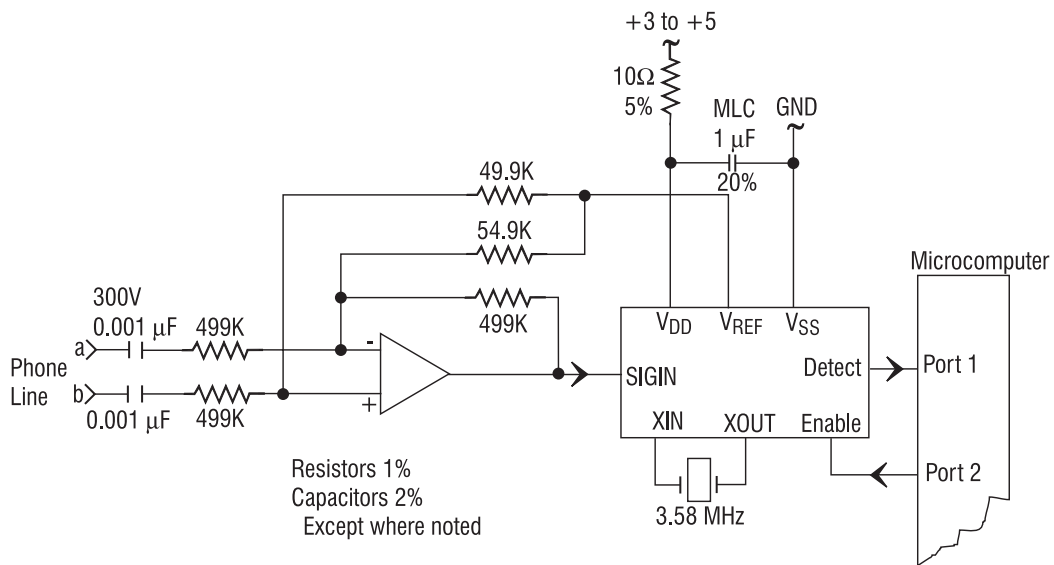
**Note:**

Application or removal of high level signals outside the must detect range may cause momentary detection, which may be filtered by time guarding the output.

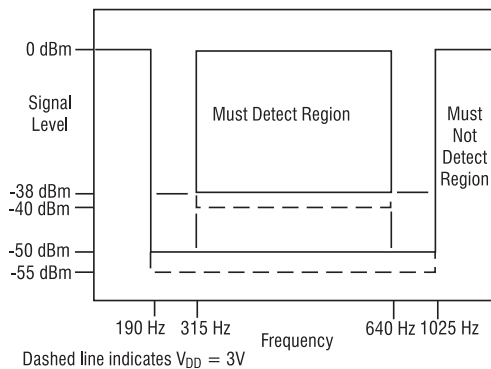
### Call Progress Tones

Frequency 1	Frequency 2	On/Off	Use
350	+440	Continuous	Dial tones
425	-	-	-
600	X 120	-	-
400	-	-	-
480	+620	0.5/0.5s	Line Busy Tones
600	X 120	-	-
480	+620	0.25/0.25s	Reorder Tones
600	X 120	-	-
440	+ 480	2.0/4.0s	Audible Ringing
500	X 40	-	-
440	-	0.5s burst	Various

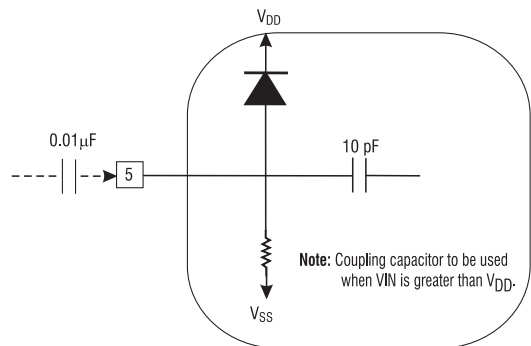
### Telephone Line Circuit Application



### Detect Range

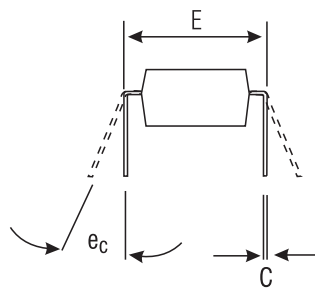
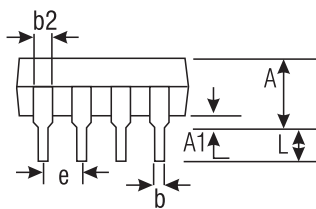
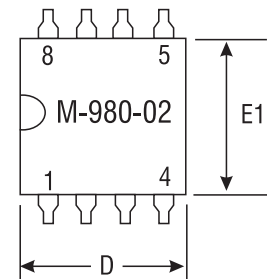


### Input Signal Configuration

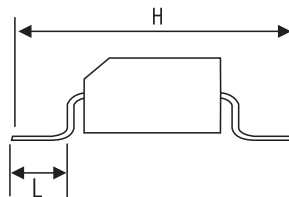
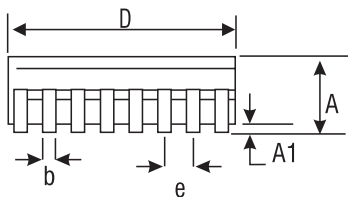
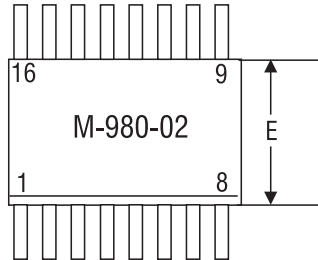


Mechanical Dimensions

8-Pin DIP



16-Pin SOIC



Drawing not to scale.  
Does not reflect actual part marking.

	Tolerances			
	Inches		Metric (mm)	
	Min	Max	Min	Max
A	-	.210	-	5.33
A1	.015	-	.38	-
b	.014	.022	.36	.56
b2	.045	.070	1.1	1.8
C	.008	.014	.20	.36
D	.355	.400	9.02	10.16
E	.300	.325	7.6	8.3
E1	.240	.280	6.1	7.1
e	.100 BSC		2.54 BSC	
ec	0°	15°	0°	15°
L	.115	.150	2.9	4.1

	Tolerances			
	Inches		Metric (mm)	
	Min	Max	Min	Max
A	.0926	.1043	2.35	2.65
A1	.0040	.0118	.10	.30
b	.013	.020	.33	.51
D	.3977	.4133	10.10	10.50
E	.2914	.2992	7.4	7.6
e	.050 BSC		1.27 BSC	
H	.394	.419	10.00	10.65
L	.016	.050	.40	1.27

Dimensions  
mm  
(inches)



### CLARE LOCATIONS

Clare Headquarters  
78 Cherry Hill Drive  
Beverly, MA 01915  
Tel: 1-978-524-6700  
Fax: 1-978-524-4900  
Toll Free: 1-800-27-CLARE

Clare Switch Division  
4315 N. Earth City Expressway  
Earth City, MO 63045  
Tel: 1-314-770-1832  
Fax: 1-314-770-1812

Clare Micronix Division  
145 Columbia  
Aliso Viejo, CA 92656-1490  
Tel: 1-949-831-4622  
Fax: 1-949-831-4628

### SALES OFFICES

#### AMERICAS

##### Americas Headquarters

Clare  
78 Cherry Hill Drive  
Beverly, MA 01915  
Tel: 1-978-524-6700  
Fax: 1-978-524-4900  
Toll Free: 1-800-27-CLARE

##### Eastern Region

Clare  
603 Apache Court  
Mahwah, NJ 07430  
Tel: 1-201-236-0101  
Fax: 1-201-236-8685  
Toll Free: 1-800-27-CLARE

##### Central Region

Clare Canada Ltd.  
3425 Harvester Road, Suite 202  
Burlington, Ontario L7N 3N1  
Tel: 1-905-333-9066  
Fax: 1-905-333-1824

##### Western Region

Clare  
1852 West 11th Street, #348  
Tracy, CA 95376  
Tel: 1-209-832-4367  
Fax: 1-209-832-4732  
Toll Free: 1-800-27-CLARE

##### Canada

Clare Canada Ltd.  
3425 Harvester Road, Suite 202  
Burlington, Ontario L7N 3N1  
Tel: 1-905-333-9066  
Fax: 1-905-333-1824

### EUROPE

#### European Headquarters

CP Clare nv  
Bampsiaan 17  
B-3500 Hasselt (Belgium)  
Tel: 32-11-300868  
Fax: 32-11-300890

#### France

Clare France Sales  
Lead Rep  
99 route de Versailles  
91160 Champlan  
France  
Tel: 33 1 69 79 93 50  
Fax: 33 1 69 79 93 59

#### Germany

Clare Germany Sales  
ActiveComp Electronic GmbH  
Mitterstrasse 12  
85077 Manching  
Germany  
Tel: 49 8459 3214 10  
Fax: 49 8459 3214 29

#### Italy

C.L.A.R.E.s.a.s.  
Via C. Colombo 10/A  
I-20066 Melzo (Milano)  
Tel: 39-02-95737160  
Fax: 39-02-95738829

#### Sweden

Clare Sales  
Comptronic AB  
Box 167  
S-16329 Spånga  
Tel: 46-862-10370  
Fax: 46-862-10371

#### United Kingdom

Clare UK Sales  
Marco Polo House  
Cook Way  
Bindon Road  
Taunton  
UK-Somerset TA2 6BG  
Tel: 44-1-823 352541  
Fax: 44-1-823 352797

### ASIA/PACIFIC

#### Asian Headquarters

Clare  
Room N1016, Chia-Hsin, Bldg II,  
10F, No. 96, Sec. 2  
Chung Shan North Road  
Taipei, Taiwan R.O.C.  
Tel: 886-2-2523-6368  
Fax: 886-2-2523-6369

<http://www.clare.com>

---

*Clare, Inc. makes no representations or warranties with respect to the accuracy or completeness of the contents of this publication and reserves the right to make changes to specifications and product descriptions at any time without notice. Neither circuit patent licenses nor indemnity are expressed or implied. Except as set forth in Clare's Standard Terms and Conditions of Sale, Clare, Inc. assumes no liability whatsoever, and disclaims any express or implied warranty, relating to its products including, but not limited to, the implied warranty of merchantability, fitness for a particular purpose, or infringement of any intellectual property right.*

*The products described in this document are not designed, intended, authorized or warranted for use as components in systems intended for surgical implant into the body, or in other applications intended to support or sustain life, or where malfunction of Clare's product may result in direct physical harm, injury, or death to a person or severe property or environmental damage. Clare, Inc. reserves the right to discontinue or make changes to its products at any time without notice.*

---

Specification: DS-M980-02-R3  
©Copyright 2001, Clare, Inc.  
All rights reserved. Printed in USA.  
7/20/01