



DESCRIPTION

The M221 is a bi-directional, single-pole, single-throw, normally open multipurpose solid-state relay in a miniature 4-pin small outline package. It is designed to replace electromechanical relays in general purpose switching applications. The relay consists of an integrated circuit that drives two rugged source-to-source enhancement type DMOS transistors - optically coupled to a light emitting diode. The output MOS transistors are protected with free-wheeling diodes that can handle up to 5A of inrush current, making the relay ideal for switching lamps and highly inductive loads.

FEATURES

- High input-to-output isolation
- Low input control power consumption
- 140mA maximum continuous load current
- 20 ohms maximum on-resistance
- Long life/high reliability
- Ultra miniature 4-pin small outline package

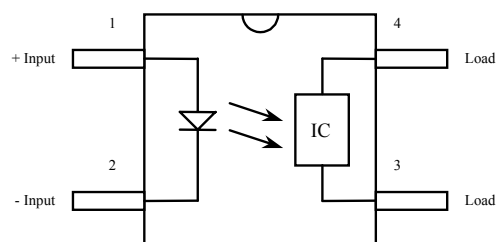
APPLICATIONS

- Telecom switching
- Tip/Ring control
- PCMCIA modules
- Multiplexers
- Meter reading systems
- Data acquisition
- Medical equipment
- Battery monitoring
- Home/Safety security systems

OPTIONS/SUFFIXES

- -TR Tape and Reel

SCHEMATIC DIAGRAM



MAXIMUM RATINGS

PARAMETER	UNIT	MIN	TYP	MAX
Storage Temperature	°C	-55		125
Operating Temperature	°C	-40		85
Continuous Input Current	mA			40
Transient Input Current	mA			400
Reverse Input Control Voltage	V	6		
Output Power Dissipation	mW			400

APPROVALS

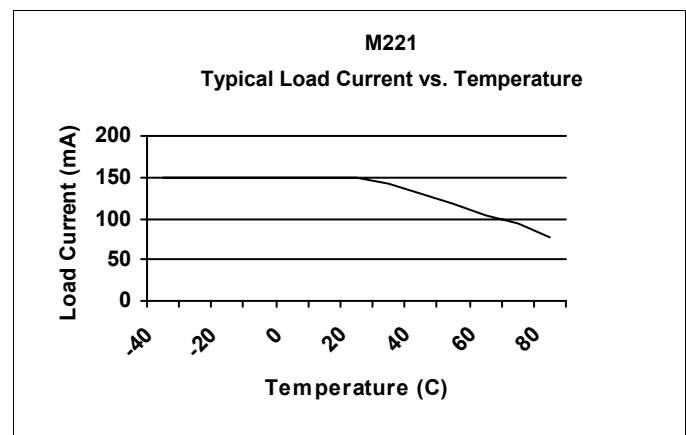
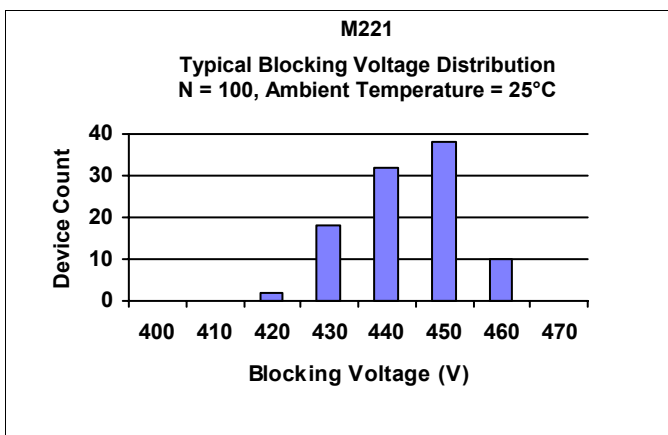
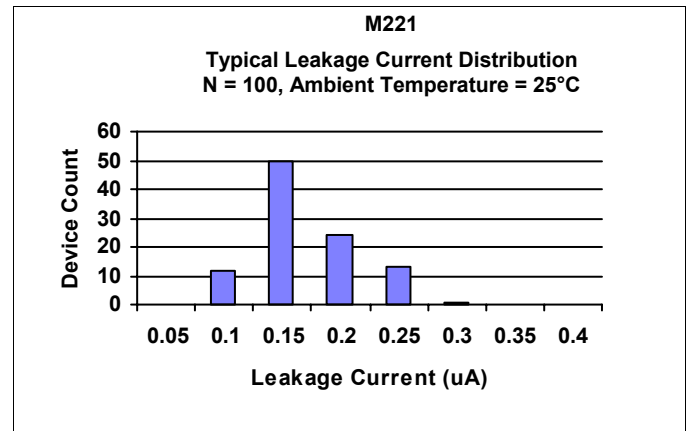
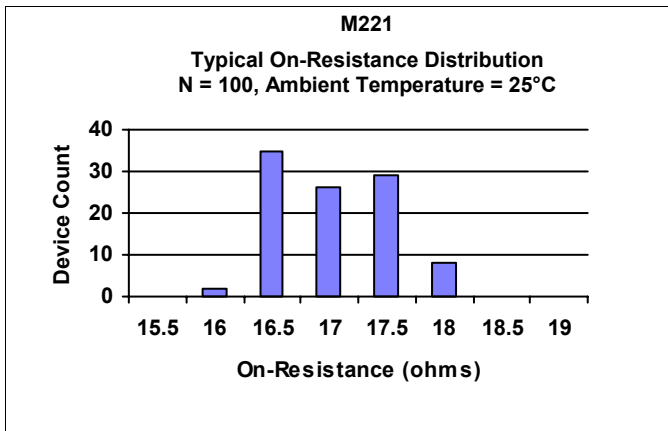
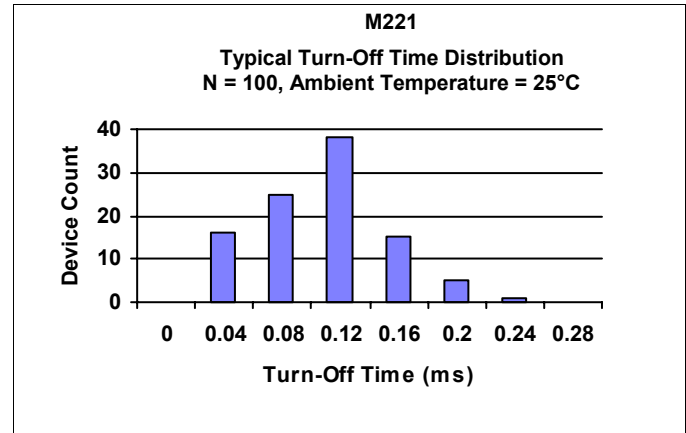
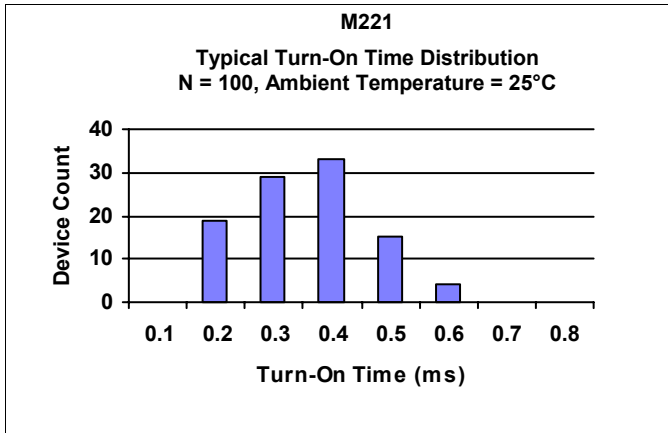
- BAPT CERTIFICATE #650192:
BS EN 60950, BS EN 41003, BS EN 60065


ELECTRICAL CHARACTERISTICS - 25°

PARAMETER	UNIT	MIN	TYP	MAX	TEST CONDITIONS
INPUT SPECIFICATIONS					
LED Forward Voltage	V		1.2	1.5	I _f = 10mA
LED Reverse Voltage	V	6	12		I _r = 10uA
Turn-On Current	m A	5	2.5		I _o = 140mA
Turn-Off Current	m A		0.5		
OUTPUT SPECIFICATIONS					
Blocking Voltage	V	400			I _o = 10uA
Continuous Load Current	m A			140	I _f = 5mA
On-Resistance	Ω		15	20	I _o = 140mA
Leakage Current	μ A		0.2	10	V _o = 400V
Output Capacitance	p F		25	50	V _o = 25V, f = 1.0MHz
Offset Voltage	m V			0.2	I _f = 5mA
COUPLED SPECIFICATIONS					
Isolation Voltage	V	1500			T = 1 minute
Turn-On Time	m s		0.5	1	I _f = 5mA, I _o = 140mA
Turn-Off Time	m s		0.1	0.5	I _f = 5mA, I _o = 140mA
Isolation Resistance	G Ω	100			
Coupled Capacitance	p F		3		
Contact Transient Ratio	V / μ s	2000	7000		dV = 50V



PERFORMANCE DATA

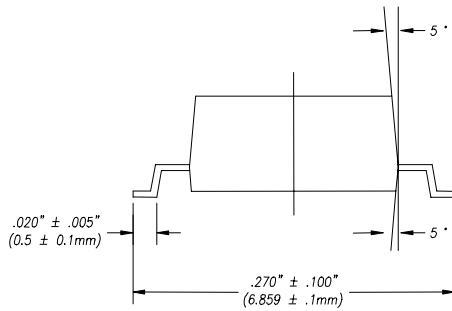




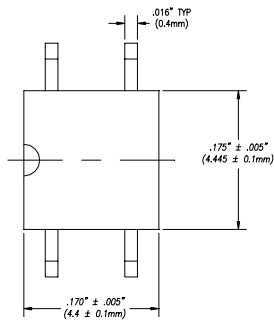
1 Form A
Solid State Relay

MECHANICAL DIMENSIONS

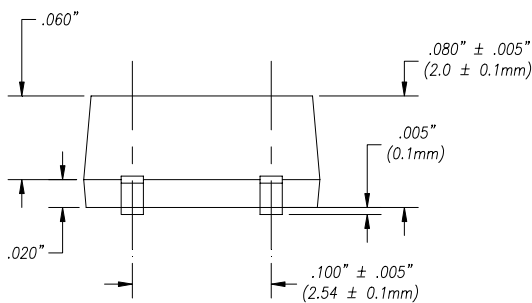
4 PIN SMALL OUTLINE PACKAGE



END VIEW



TOP VIEW



BACK VIEW