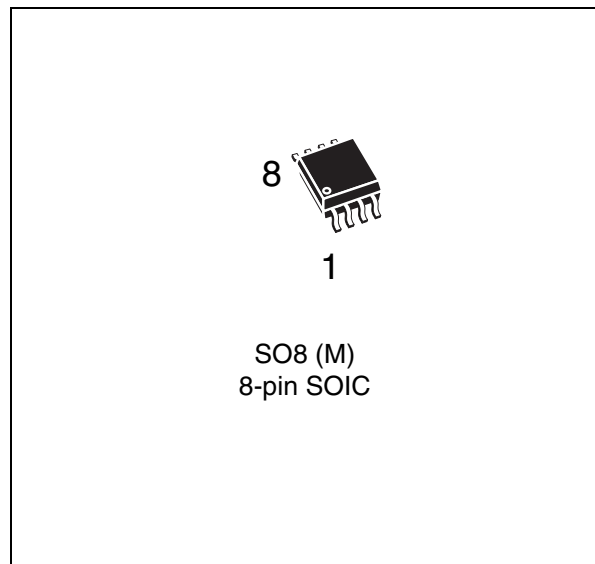


Serial access Real-Time Clock with alarm

Feature summary

- Counters for tenths/hundredths of seconds, seconds, minutes, hours, day, date, month, year, and century
- 32KHz crystal oscillator integrating load capacitance (12.5pF) providing exceptional oscillator stability and high crystal series resistance operation
- Serial interface supports I²C bus (400kHz protocol)
- Ultra-low battery supply current of 0.6μA (typ@3V)
- 2.0 to 5.5V clock operating voltage
- Automatic switch-over and deselect circuitry (for 3V application select M41T81S data sheet)
- Power-down time stamp (HT bit) allowing determination of time elapsed in battery back up
- Programmable alarm and interrupt function (valid even during battery back-up mode)
- Accurate programmable watchdog timer (from 62.5ms to 128s)
- Software clock calibration to compensate crystal deviation due to temperature
- Operating temperature of -40 to 85°C
- ECOPACK® package available



Contents

- 1 Summary description 5**
- 2 Operation 8**
 - 2.1 2-wire bus characteristics 8
 - 2.1.1 Bus not busy 8
 - 2.1.2 Start data transfer 9
 - 2.1.3 Stop data transfer 9
 - 2.1.4 Data valid 9
 - 2.1.5 Acknowledge 9
 - 2.2 READ mode 10
 - 2.3 WRITE mode 12
 - 2.4 Data retention mode 12
- 3 Clock operation 13**
 - 3.1 Power-down time-stamp 13
 - 3.2 Clock registers 13
 - 3.3 Calibrating the clock 15
 - 3.4 Setting alarm clock registers 17
 - 3.5 Watchdog timer 18
 - 3.6 Square wave output 19
 - 3.7 Century bit 19
 - 3.8 Output driver pin 20
 - 3.9 Preferred initial power-on default 20
- 4 Maximum rating 21**
- 5 DC and AC parameters 22**
- 6 Package mechanical information 26**
- 7 Part numbering 28**
- 8 Revision history 29**

List of tables

| | | |
|-----------|--|----|
| Table 1. | Signal names | 6 |
| Table 2. | Clock register map | 14 |
| Table 3. | Alarm repeat modes | 18 |
| Table 4. | Square wave output frequency | 19 |
| Table 5. | Preferred default values | 20 |
| Table 6. | Absolute maximum ratings | 21 |
| Table 7. | Operating and AC measurement conditions | 22 |
| Table 8. | Capacitance | 22 |
| Table 9. | DC characteristics | 23 |
| Table 10. | Crystal electrical characteristics | 23 |
| Table 11. | Power down/up AC characteristics | 24 |
| Table 12. | Power down/up trip points DC characteristics | 24 |
| Table 13. | AC characteristics | 25 |
| Table 14. | SO8 – 8-lead plastic small outline (150 mils body width), package mechanical data. | 27 |
| Table 15. | Ordering information scheme | 28 |
| Table 16. | Revision history | 29 |

List of figures

| | | |
|------------|--|----|
| Figure 1. | Logic diagram | 5 |
| Figure 2. | 8-pin SOIC (M) connections | 6 |
| Figure 3. | Block diagram | 7 |
| Figure 4. | Serial bus data transfer sequence | 10 |
| Figure 5. | Acknowledgement sequence | 10 |
| Figure 6. | Slave address location | 11 |
| Figure 7. | READ mode sequence | 11 |
| Figure 8. | Alternative READ mode sequence | 11 |
| Figure 9. | WRITE mode sequence | 12 |
| Figure 10. | Crystal accuracy across temperature | 16 |
| Figure 11. | Clock calibration | 16 |
| Figure 12. | Alarm interrupt reset waveform. | 17 |
| Figure 13. | Back-up mode alarm waveform | 18 |
| Figure 14. | AC measurement I/O waveform | 22 |
| Figure 15. | Power down/up mode AC waveforms. | 23 |
| Figure 16. | Bus timing requirements sequence | 24 |
| Figure 17. | SO8 – 8-lead plastic small package outline | 27 |

1 Summary description

The M41T81 is a low power Serial RTC with a built-in 32.768kHz oscillator (external crystal controlled). Eight bytes of the SRAM (see [Table 2: Clock register map on page 14](#)) are used for the clock/calendar function and are configured in binary coded decimal (BCD) format. An additional 12 bytes of SRAM provide status/control of Alarm, Watchdog and Square Wave functions. Addresses and data are transferred serially via a two line, bi-directional I²C interface. The built-in address register is incremented automatically after each WRITE or READ data byte.

The M41T81 has a built-in power sense circuit which detects power failures and automatically switches to the battery supply when a power failure occurs. The energy needed to sustain the SRAM and clock operations can be supplied by a small lithium button supply when a power failure occurs.

Functions available to the user include a non-volatile, time-of-day clock/calendar, Alarm interrupts, Watchdog Timer and programmable Square Wave output. The eight clock address locations contain the century, year, month, date, day, hour, minute, second and tenths/hundredths of a second in 24 hour BCD format. Corrections for 28, 29 (leap year - valid until year 2100), 30 and 31 day months are made automatically.

The M41T81 is supplied in an 8-pin SOIC.

Figure 1. Logic diagram

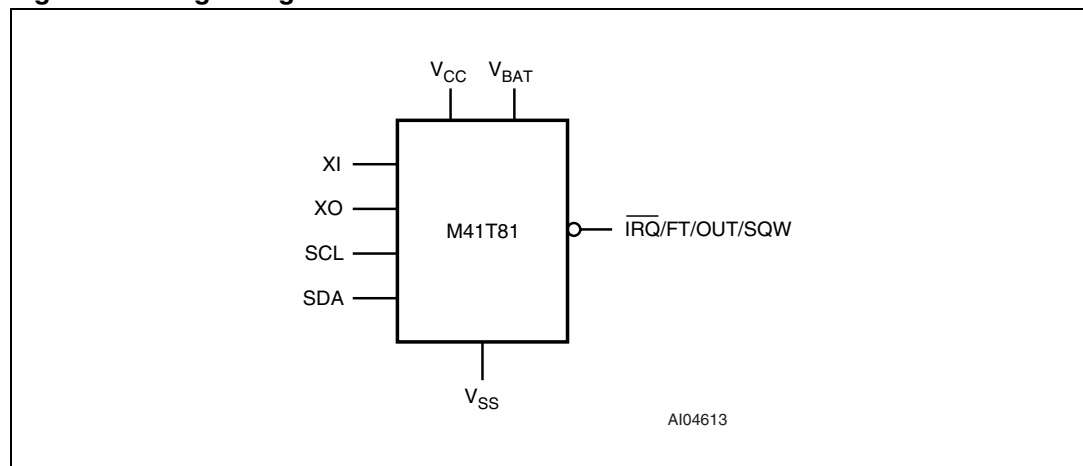


Table 1. Signal names

| | |
|---|---|
| XI | Oscillator input |
| XO | Oscillator output |
| $\overline{\text{IRQ}}/\text{OUT}/\text{FT}/\text{SQW}$ | Interrupt / output driver / frequency test / square wave (open drain) |
| SDA | Serial data input/output |
| SCL | Serial clock input |
| V _{BAT} | Battery supply voltage |
| V _{CC} | Supply voltage |
| V _{SS} | Ground |
| NC | No connect |
| NF | No function |

Figure 2. 8-pin SOIC (M) connections

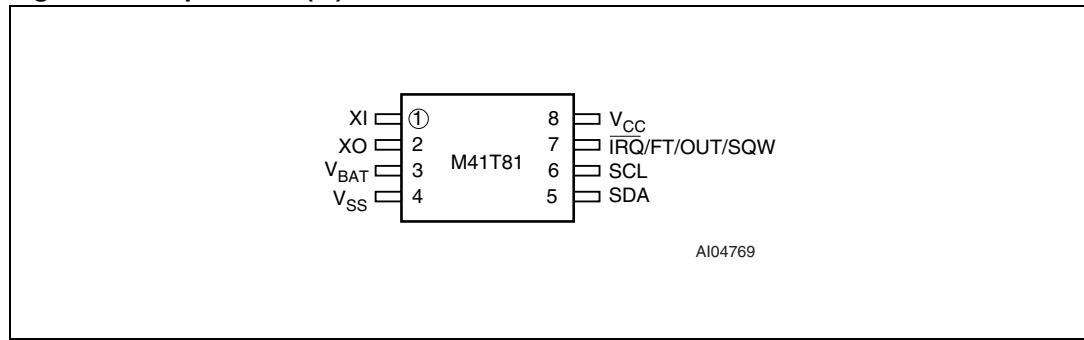
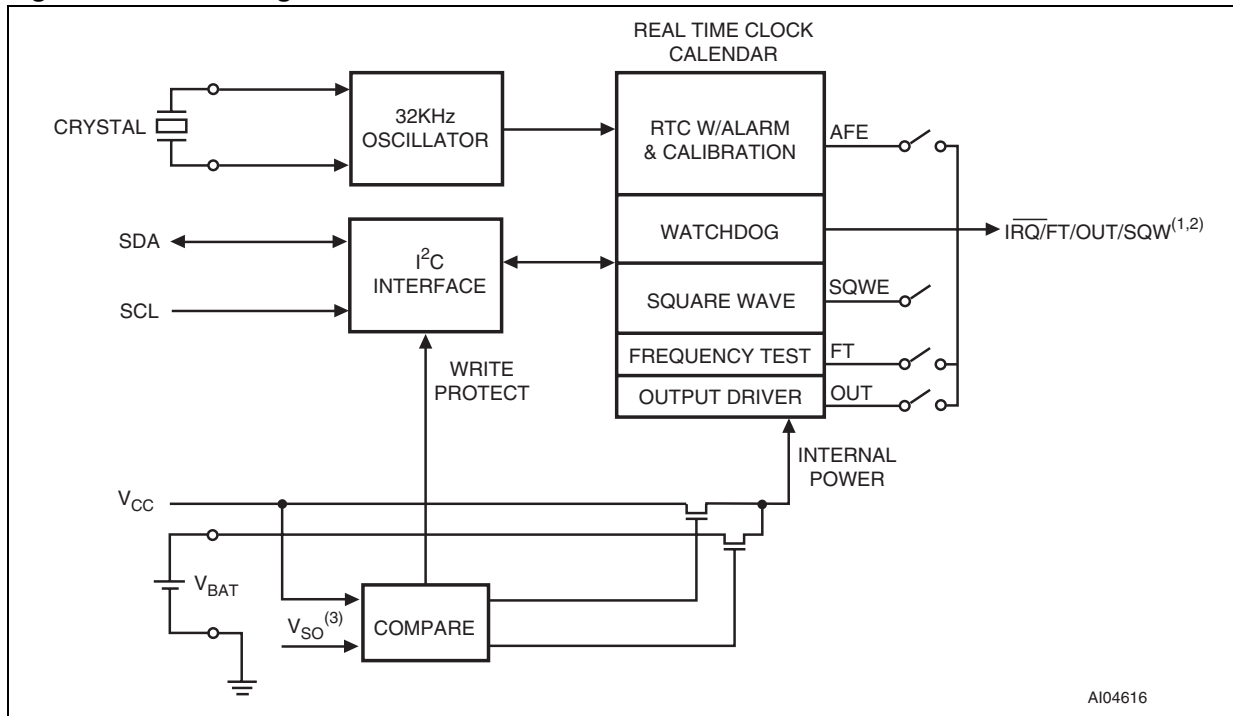


Figure 3. Block diagram



1. Open drain output
2. Square Wave function has the highest priority on $\overline{\text{IRQ}}/\text{FT}/\text{OUT}/\text{SQW}$ output.
3. $V_{\text{SO}} = V_{\text{BAT}} - 0.5\text{V}$ (typ)

2 Operation

The M41T81 clock operates as a slave device on the serial bus. Access is obtained by implementing a start condition followed by the correct slave address (D0h). The 20 bytes contained in the device can then be accessed sequentially in the following order:

- 1st Byte: tenths/hundredths of a second register
- 2nd Byte: seconds register
- 3rd Byte: minutes register
- 4th Byte: century/hours register
- 5th Byte: day register
- 6th Byte: date register
- 7th Byte: month register
- 8th Byte: year register
- 9th Byte: control register
- 10th Byte: watchdog register
- 11th - 16th Bytes: alarm registers
- 17th - 19th Bytes: reserved
- 20th Byte: square wave register

The M41T81 clock continually monitors V_{CC} for an out-of-tolerance condition. Should V_{CC} fall below V_{SO} , the device terminates an access in progress and resets the device address counter. Inputs to the device will not be recognized at this time to prevent erroneous data from being written to the device from an out-of-tolerance system. The device also automatically switches over to the battery and powers down into an ultra low current mode of operation to conserve battery life. As system power returns and V_{CC} rises above V_{SO} , the battery is disconnected, and the power supply is switched to external V_{CC} .

For more information on Battery Storage Life refer to Application Note AN1012.

2.1 2-wire bus characteristics

The bus is intended for communication between different ICs. It consists of two lines: a bi-directional data signal (SDA) and a clock signal (SCL). Both the SDA and SCL lines must be connected to a positive supply voltage via a pull-up resistor.

The following protocol has been defined:

- Data transfer may be initiated only when the bus is not busy.
- During data transfer, the data line must remain stable whenever the clock line is High.
- Changes in the data line, while the clock line is High, will be interpreted as control signals.

Accordingly, the following bus conditions have been defined:

2.1.1 Bus not busy

Both data and clock lines remain High.

2.1.2 Start data transfer

A change in the state of the data line, from high to Low, while the clock is High, defines the START condition.

2.1.3 Stop data transfer

A change in the state of the data line, from Low to High, while the clock is High, defines the STOP condition.

2.1.4 Data valid

The state of the data line represents valid data when after a start condition, the data line is stable for the duration of the high period of the clock signal. The data on the line may be changed during the Low period of the clock signal. There is one clock pulse per bit of data.

Each data transfer is initiated with a start condition and terminated with a stop condition. The number of data bytes transferred between the start and stop conditions is not limited. The information is transmitted byte-wide and each receiver acknowledges with a ninth bit.

By definition a device that gives out a message is called "transmitter," the receiving device that gets the message is called "receiver." The device that controls the message is called "master." The devices that are controlled by the master are called "slaves."

2.1.5 Acknowledge

Each byte of eight bits is followed by one Acknowledge Bit. This Acknowledge Bit is a low level put on the bus by the receiver whereas the master generates an extra acknowledge related clock pulse. A slave receiver which is addressed is obliged to generate an acknowledge after the reception of each byte that has been clocked out of the slave transmitter.

The device that acknowledges has to pull down the SDA line during the acknowledge clock pulse in such a way that the SDA line is a stable Low during the High period of the acknowledge related clock pulse. Of course, setup and hold times must be taken into account. A master receiver must signal an end of data to the slave transmitter by not generating an acknowledge on the last byte that has been clocked out of the slave. In this case the transmitter must leave the data line High to enable the master to generate the STOP condition.

Figure 4. Serial bus data transfer sequence

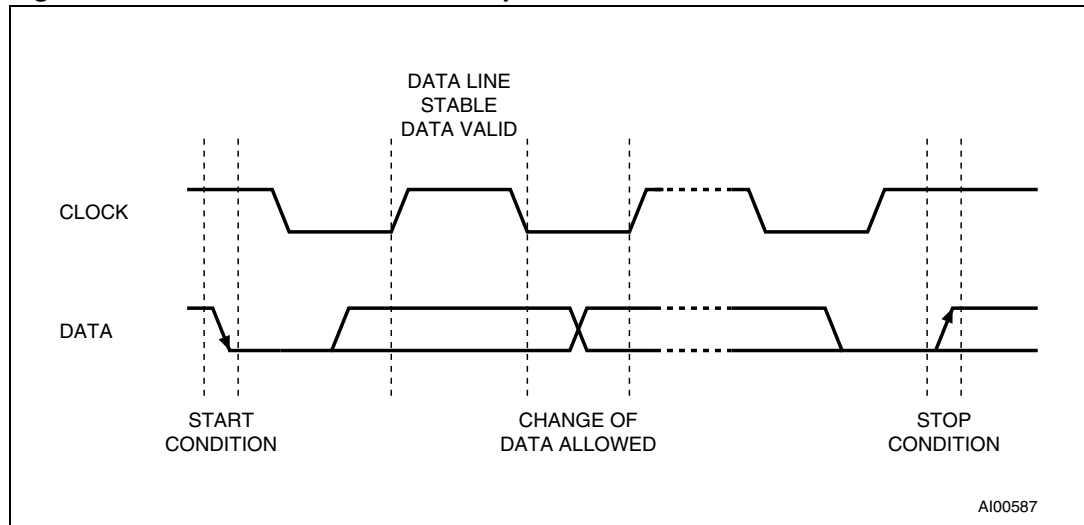
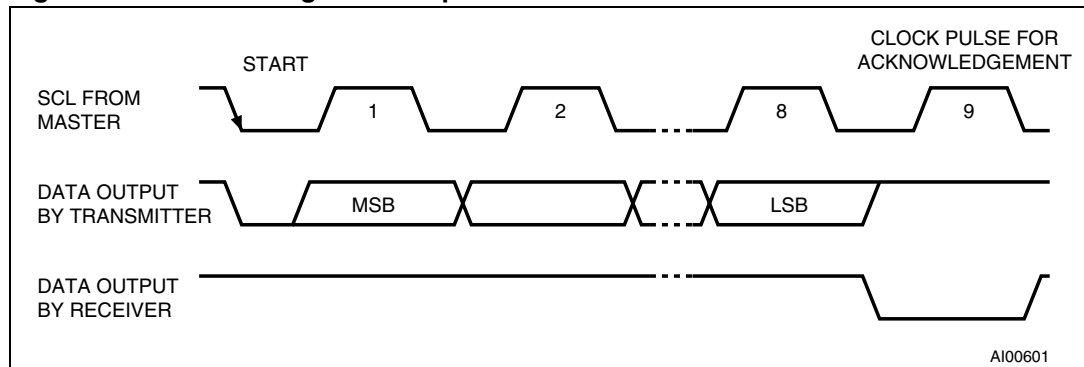


Figure 5. Acknowledgement sequence



2.2 READ mode

In this mode the master reads the M41T81 slave after setting the slave address (see [Figure 7 on page 11](#)). Following the WRITE Mode Control Bit ($R/\bar{W}=0$) and the Acknowledge Bit, the word address 'An' is written to the on-chip address pointer. Next the START condition and slave address are repeated followed by the READ Mode Control Bit ($R/\bar{W}=1$). At this point the master transmitter becomes the master receiver. The data byte which was addressed will be transmitted and the master receiver will send an Acknowledge Bit to the slave transmitter. The address pointer is only incremented on reception of an Acknowledge Clock. The M41T81 slave transmitter will now place the data byte at address $An+1$ on the bus, the master receiver reads and acknowledges the new byte and the address pointer is incremented to "An+2."

This cycle of reading consecutive addresses will continue until the master receiver sends a STOP condition to the slave transmitter.

The system-to-user transfer of clock data will be halted whenever the address being read is a clock address (00h to 07h). The update will resume due to a Stop Condition or when the pointer increments to any non-clock address (08h-13h).

Note: This is true both in READ Mode and WRITE Mode.

An alternate READ Mode may also be implemented whereby the master reads the M41T81 slave without first writing to the (volatile) address pointer. The first address that is read is the last one stored in the pointer (see [Figure 8 on page 11](#)).

Figure 6. Slave address location

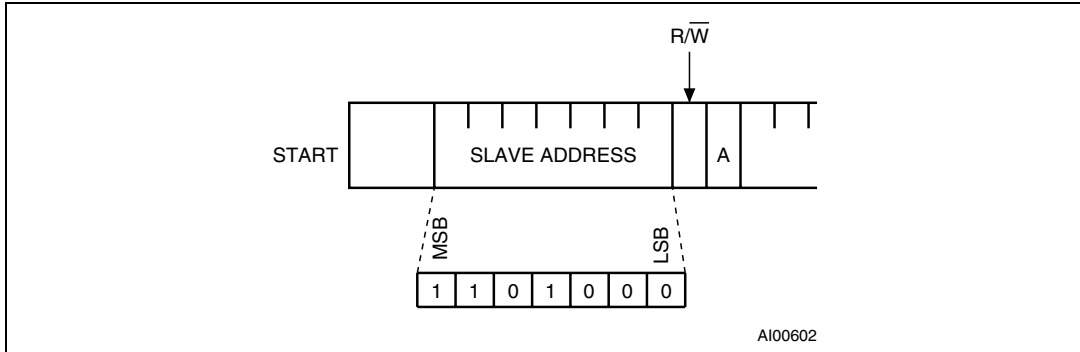


Figure 7. READ mode sequence

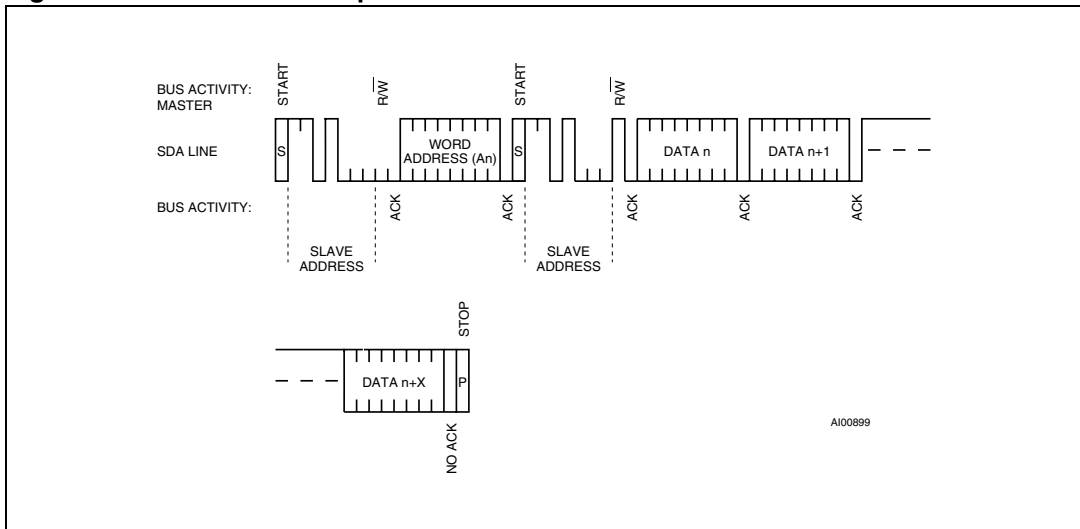
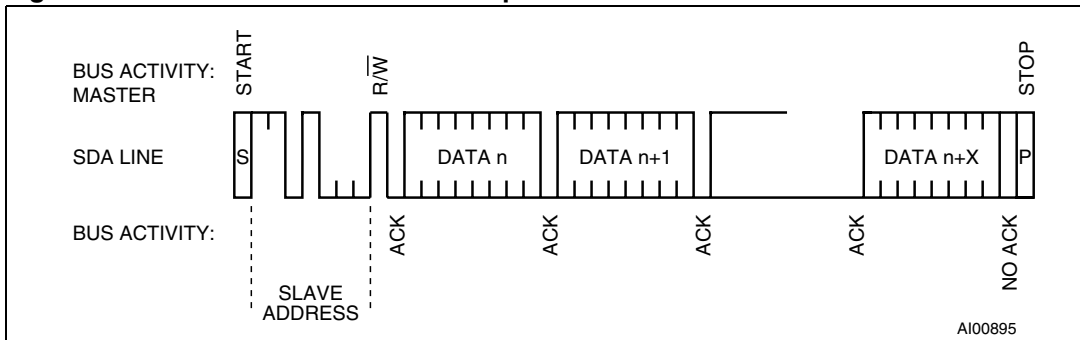


Figure 8. Alternative READ mode sequence



2.3 WRITE mode

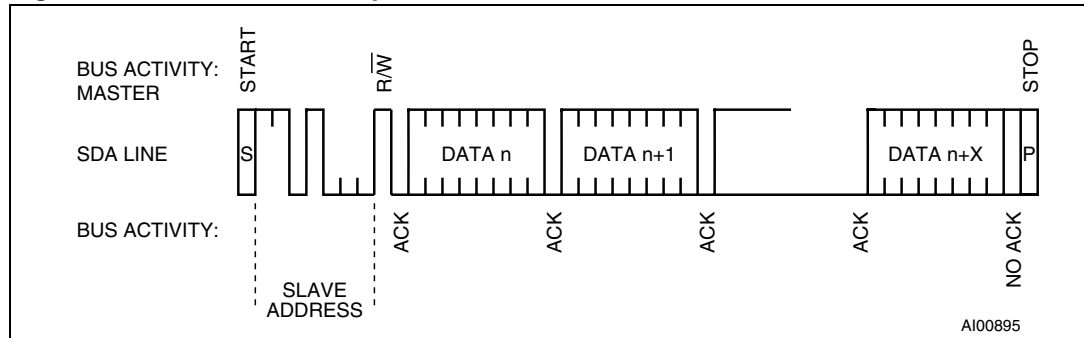
In this mode the master transmitter transmits to the M41T81 slave receiver. Bus protocol is shown in *Figure 9 on page 12*. Following the START condition and slave address, a logic '0' ($R/\overline{W}=0$) is placed on the bus and indicates to the addressed device that word address “An” will follow and is to be written to the on-chip address pointer. The data word to be written to the memory is strobed in next and the internal address pointer is incremented to the next address location on the reception of an acknowledge clock. The M41T81 slave receiver will send an acknowledge clock to the master transmitter after it has received the slave address see *Figure 6 on page 11* and again after it has received the word address and each data byte.

2.4 Data retention mode

With valid V_{CC} applied, the M41T81 can be accessed as described above with READ or WRITE Cycles. Should the supply voltage decay, the power input will be switched from the V_{CC} pin to the battery when V_{CC} falls below the Battery Back-up Switchover Voltage (V_{SO}). At this time the clock registers will be maintained by the attached battery supply. On power-up, when V_{CC} returns to a nominal value, write protection continues for t_{rec} (see *Figure 10 on page 23*, *Table 11 on page 24*).

For a further, more detailed review of lifetime calculations, please see Application Note AN1012.

Figure 9. WRITE mode sequence



3 Clock operation

The 20-byte Register Map (see [Table 2 on page 14](#)) is used to both set the clock and to read the date and time from the clock, in a binary coded decimal format. Tenths/Hundredths of Seconds, Seconds, Minutes, and Hours are contained within the first four registers.

Note: The Tenths/Hundredths of Seconds cannot be written to any value other than "00."

Bits D6 and D7 of Clock Register 03h (Century/Hours Register) contain the CENTURY ENABLE Bit (CEB) and the CENTURY Bit (CB). Setting CEB to a '1' will cause CB to toggle, either from '0' to '1' or from '1' to '0' at the turn of the century (depending upon its initial state). If CEB is set to a '0,' CB will not toggle. Bits D0 through D2 of Register 04h contain the Day (day of week). Registers 05h, 06h, and 07h contain the Date (day of month), Month and Years. The ninth clock register is the Control Register (this is described in the Clock Calibration section). Bit D7 of Register 01h contains the STOP Bit (ST). Setting this bit to a '1' will cause the oscillator to stop. If the device is expected to spend a significant amount of time on the shelf, the oscillator may be stopped to reduce current drain. When reset to a '0' the oscillator restarts within one second.

The eight Clock Registers may be read one byte at a time, or in a sequential block. Provision has been made to assure that a clock update does not occur while any of the eight clock addresses are being read. If a clock address is being read, an update of the clock registers will be halted. This will prevent a transition of data during the READ.

3.1 Power-down time-stamp

When a power failure occurs, the HT Bit will automatically be set to a '1.' This will prevent the clock from updating the TIMEKEEPER[®] registers, and will allow the user to read the exact time of the power-down event. Resetting the HT Bit to a '0' will allow the clock to update the TIMEKEEPER registers with the current time. For more information, see Application Note AN1572.

3.2 Clock registers

The M41T81 offers 20 internal registers which contain Clock, Alarm, Watchdog, Flag, Square Wave and Control data. These registers are memory locations which contain external (user accessible) and internal copies of the data (usually referred to as BiPORT[™] cells). The external copies are independent of internal functions except that they are updated periodically by the simultaneous transfer of the incremented internal copy. The internal divider (or clock) chain will be reset upon the completion of a WRITE to any clock address.

The system-to-user transfer of clock data will be halted whenever the address being read is a clock address (00h to 07h). The update will resume either due to a Stop Condition or when the pointer increments to any non-clock address (08h-13h).

Clock and Alarm Registers store data in BCD. Control, Watchdog and Square Wave Registers store data in Binary Format.

Table 2. Clock register map⁽¹⁾

| Addr | | | | | | | | | Function/range BCD format | |
|------|-------------|------------------|------------|-------------|------------------------|-------------|-----|-----|---------------------------|-----------|
| | D7 | D6 | D5 | D4 | D3 | D2 | D1 | D0 | | |
| 00h | 0.1 seconds | | | | 0.01 seconds | | | | Seconds | 00-99 |
| 01h | ST | 10 seconds | | | Seconds | | | | Seconds | 00-59 |
| 02h | 0 | 10 minutes | | | Minutes | | | | Minutes | 00-59 |
| 03h | CEB | CB | 10 hours | | Hours (24 hour format) | | | | Century/hours | 0-1/00-23 |
| 04h | 0 | 0 | 0 | 0 | 0 | Day of week | | | Day | 01-7 |
| 05h | 0 | 0 | 10 date | | Date: day of month | | | | Date | 01-31 |
| 06h | 0 | 0 | 0 | 10M | Month | | | | Month | 01-12 |
| 07h | 10 years | | | | Year | | | | Year | 00-99 |
| 08h | OUT | FT | S | Calibration | | | | | Control | |
| 09h | 0 | BMB4 | BMB3 | BMB2 | BMB1 | BMB0 | RB1 | RB0 | Watchdog | |
| 0Ah | AFE | SQWE | ABE | AI 10M | Alarm month | | | | AI month | 01-12 |
| 0Bh | RPT4 | RPT5 | AI 10 date | | Alarm date | | | | AI date | 01-31 |
| 0Ch | RPT3 | HT | AI 10 hour | | Alarm hour | | | | AI hour | 00-23 |
| 0Dh | RPT2 | Alarm 10 minutes | | | Alarm minutes | | | | AI min | 00-59 |
| 0Eh | RPT1 | Alarm 10 seconds | | | Alarm seconds | | | | AI sec | 00-59 |
| 0Fh | WDF | AF | 0 | 0 | 0 | 0 | 0 | 0 | Flags | |
| 10h | 0 | 0 | 0 | 0 | 0 | 0 | 0 | 0 | Reserved | |
| 11h | 0 | 0 | 0 | 0 | 0 | 0 | 0 | 0 | Reserved | |
| 12h | 0 | 0 | 0 | 0 | 0 | 0 | 0 | 0 | Reserved | |
| 13h | RS3 | RS2 | RS1 | RS0 | 0 | 0 | 0 | 0 | SQW | |

1. Keys:

- S = Sign Bit
- FT = Frequency Test Bit
- ST = Stop Bit
- 0 = Must be set to '0'
- BMB0-BMB4 = Watchdog Multiplier Bits
- CEB = Century Enable Bit
- CB = Century Bit
- OUT = Output level
- ABE = Alarm in Battery Back-up Mode Enable Bit
- AFE = Alarm Flag Enable Flag
- RB0-RB1 = Watchdog Resolution Bits
- RPT1-RPT5 = Alarm Repeat Mode Bits
- WDF = Watchdog Flag (Read only)
- AF = Alarm Flag (Read only)
- SQWE = Square Wave Enable
- RS0-RS3 = SQW Frequency
- HT = Halt Update Bit

3.3 Calibrating the clock

The M41T81 is driven by a quartz controlled oscillator with a nominal frequency of 32,768Hz. The devices are tested not exceed ± 35 ppm (parts per million) oscillator frequency error at 25°C, which equates to about +1.9 to -1.1 minutes per month (see [Figure 10 on page 16](#)). When the Calibration circuit is properly employed, accuracy improves to better than ± 2 ppm at 25°C.

The oscillation rate of crystals changes with temperature. The M41T81 design employs periodic counter correction. The calibration circuit adds or subtracts counts from the oscillator divider circuit at the divide by 256 stage, as shown in [Figure 11 on page 16](#). The number of times pulses which are blanked (subtracted, negative calibration) or split (added, positive calibration) depends upon the value loaded into the five Calibration Bits found in the Control Register. Adding counts speeds the clock up, subtracting counts slows the clock down.

The Calibration Bits occupy the five lower order bits (D4-D0) in the Control Register 08h. These bits can be set to represent any value between 0 and 31 in binary form. Bit D5 is a Sign Bit; '1' indicates positive calibration, '0' indicates negative calibration. Calibration occurs within a 64 minute cycle. The first 62 minutes in the cycle may, once per minute, have one second either shortened by 128 or lengthened by 256 oscillator cycles. If a binary '1' is loaded into the register, only the first 2 minutes in the 64 minute cycle will be modified; if a binary 6 is loaded, the first 12 will be affected, and so on.

Therefore, each calibration step has the effect of adding 512 or subtracting 256 oscillator cycles for every 125,829,120 actual oscillator cycles, that is +4.068 or -2.034 ppm of adjustment per calibration step in the calibration register (see [Figure 11 on page 16](#)). Assuming that the oscillator is running at exactly 32,768Hz, each of the 31 increments in the Calibration byte would represent +10.7 or -5.35 seconds per month which corresponds to a total range of +5.5 or -2.75 minutes per month.

Two methods are available for ascertaining how much calibration a given M41T81 may require.

The first involves setting the clock, letting it run for a month and comparing it to a known accurate reference and recording deviation over a fixed period of time. Calibration values, including the number of seconds lost or gained in a given period, can be found in Application Note AN934, "TIMEKEEPER® CALIBRATION." This allows the designer to give the end user the ability to calibrate the clock as the environment requires, even if the final product is packaged in a non-user serviceable enclosure. The designer could provide a simple utility that accesses the Calibration byte.

The second approach is better suited to a manufacturing environment, and involves the use of the $\overline{\text{IRQ}}/\text{FT}/\text{OUT}/\text{SQW}$ pin. The pin will toggle at 512Hz, when the Stop Bit (ST, D7 of 01h) is '0,' the Frequency Test Bit (FT, D6 of 08h) is '1,' the Alarm Flag Enable Bit (AFE, D7 of 0Ah) is '0,' and the Square Wave Enable Bit (SQWE, D6 of 0Ah) is '0' and the Watchdog Register (09h = 0) is reset.

Any deviation from 512Hz indicates the degree and direction of oscillator frequency shift at the test temperature. For example, a reading of 512.010124Hz would indicate a +20 ppm oscillator frequency error, requiring a -10 (XX001010) to be loaded into the Calibration Byte for correction. Note that setting or changing the Calibration Byte does not affect the Frequency Test output frequency.

The $\overline{\text{IRQ}}/\text{FT}/\text{OUT}/\text{SQW}$ pin is an open drain output which requires a pull-up resistor to V_{CC} for proper operation. A 500-10k resistor is recommended in order to control the rise time. The FT Bit is cleared on power-down.

Figure 10. Crystal accuracy across temperature

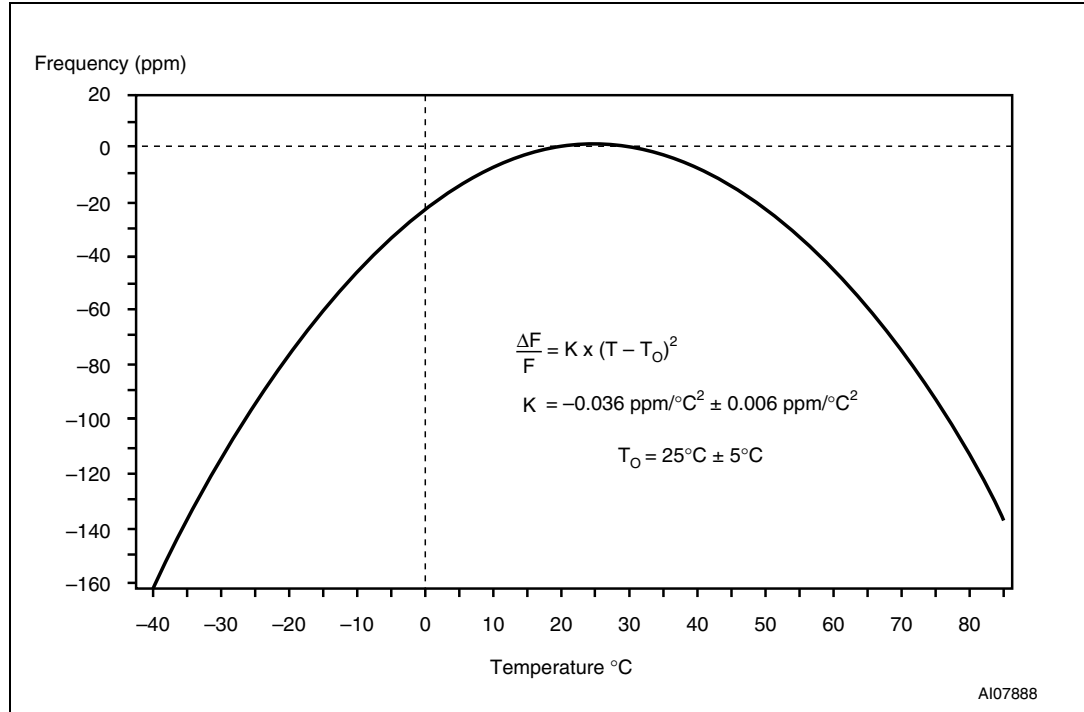
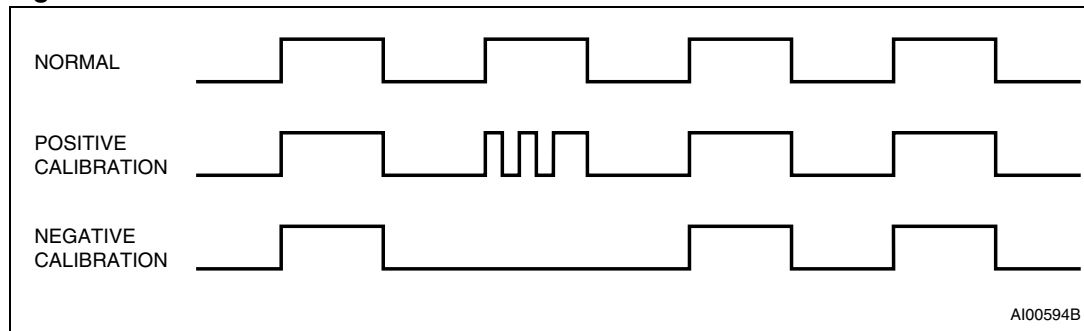


Figure 11. Clock calibration



3.4 Setting alarm clock registers

Address locations 0Ah-0Eh contain the alarm settings. The alarm can be configured to go off at a prescribed time on a specific month, date, hour, minute, or second or repeat every year, month, day, hour, minute, or second. It can also be programmed to go off while the M41T81 is in the battery back-up mode to serve as a system wake-up call.

Bits RPT5-RPT1 put the alarm in the repeat mode of operation. [Table 3 on page 18](#) shows the possible configurations. Codes not listed in the table default to the once per second mode to quickly alert the user of an incorrect alarm setting.

When the clock information matches the alarm clock settings based on the match criteria defined by RPT5-RPT1, the AF (Alarm Flag) is set. If AFE (Alarm Flag Enable) is also set (and SQWE is '0.'), the alarm condition activates the $\overline{\text{IRQ/FT/OUT/SQW}}$ pin.

Note: *If the address pointer is allowed to increment to the Flag Register address, an alarm condition will not cause the Interrupt/Flag to occur until the address pointer is moved to a different address. It should also be noted that if the last address written is the "Alarm Seconds," the address pointer will increment to the Flag address, causing this situation to occur.*

The $\overline{\text{IRQ/FT/OUT/SQW}}$ output is cleared by a READ to the Flags Register as shown in [Figure 12](#). A subsequent READ of the Flags Register is necessary to see that the value of the Alarm Flag has been reset to '0.'

The $\overline{\text{IRQ/FT/OUT/SQW}}$ pin can also be activated in the battery back-up mode. The $\overline{\text{IRQ/FT/OUT/SQW}}$ will go low if an alarm occurs and both ABE (Alarm in Battery Back-up Mode Enable) and AFE are set. [Figure 13](#) illustrates the back-up mode alarm timing.

Figure 12. Alarm interrupt reset waveform

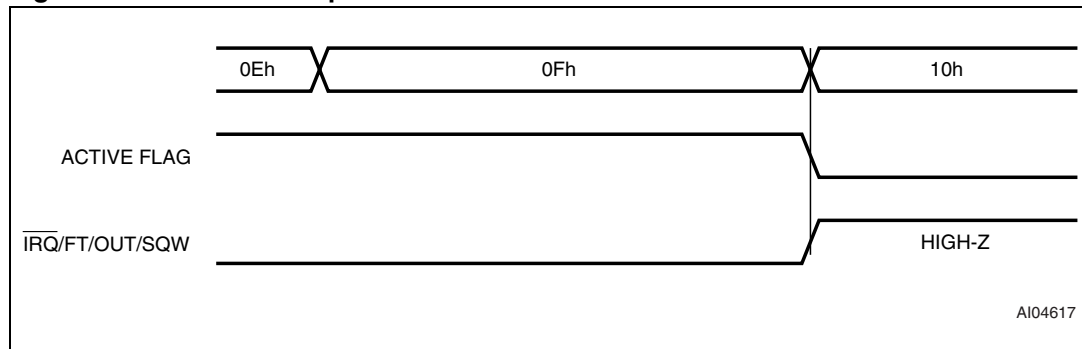


Figure 13. Back-up mode alarm waveform

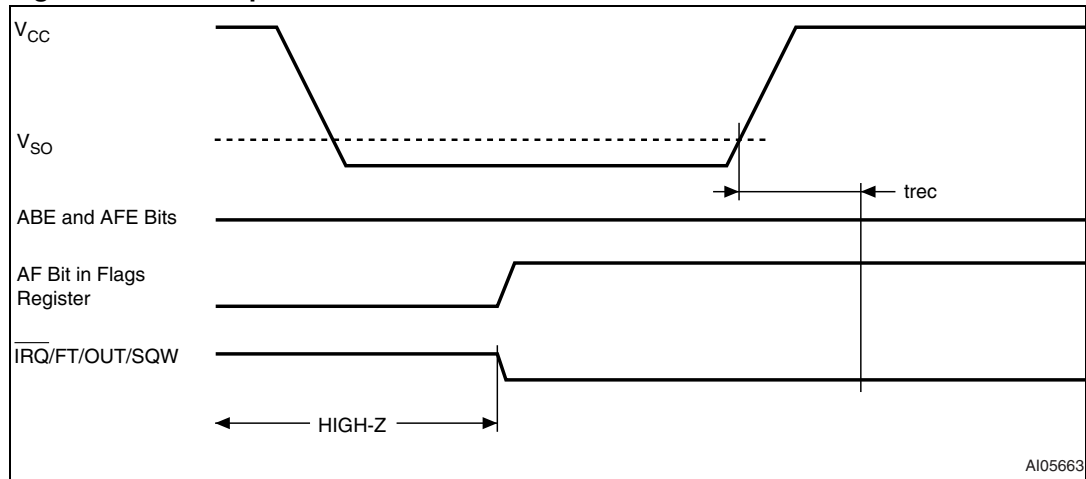


Table 3. Alarm repeat modes

| RPT5 | RPT4 | RPT3 | RPT2 | RPT1 | Alarm setting |
|------|------|------|------|------|-----------------|
| 1 | 1 | 1 | 1 | 1 | Once per second |
| 1 | 1 | 1 | 1 | 0 | Once per minute |
| 1 | 1 | 1 | 0 | 0 | Once per hour |
| 1 | 1 | 0 | 0 | 0 | Once per day |
| 1 | 0 | 0 | 0 | 0 | Once per month |
| 0 | 0 | 0 | 0 | 0 | Once per year |

3.5 Watchdog timer

The watchdog timer can be used to detect an out-of-control microprocessor. The user programs the watchdog timer by setting the desired amount of time-out into the Watchdog Register, address 09h. Bits BMB4-BMB0 store a binary multiplier and the two lower order bits RB1-RB0 select the resolution, where 00 = 1/16 second, 01 = 1/4 second, 10 = 1 second, and 11 = 4 seconds. The amount of time-out is then determined to be the multiplication of the five-bit multiplier value with the resolution. (For example: writing 00001110 in the Watchdog Register = 3*1, or 3 seconds). If the processor does not reset the timer within the specified period, the M41T81 sets the WDF (Watchdog Flag) and generates a watchdog interrupt.

The watchdog timer can be reset by having the microprocessor perform a WRITE of the Watchdog Register. The time-out period then starts over.

Should the watchdog timer time-out, a value of 00h needs to be written to the Watchdog Register in order to clear the $\overline{\text{IRQ/FT/OUT/SQW}}$ pin. This will also disable the watchdog function until it is again programmed correctly. A READ of the Flags Register will reset the Watchdog Flag (Bit D7; Register 0Fh).

The watchdog function is automatically disabled upon power-up and the Watchdog Register is cleared. If the watchdog function is set, the frequency test function is activated, and the SQWE Bit is '0,' the watchdog function prevails and the frequency test function is denied.

3.6 Square wave output

The M41T81 offers the user a programmable square wave function which is output on the SQW pin. RS3-RS0 bits located in 13h establish the square wave output frequency. These frequencies are listed in [Table 4](#). Once the selection of the SQW frequency has been completed, the $\overline{\text{IRQ}}/\text{FT}/\text{OUT}/\text{SQW}$ pin can be turned on and off under software control with the Square Wave Enable Bit (SQWE) located in Register 0Ah.

Table 4. Square wave output frequency

| Square wave bits | | | | Square wave | |
|------------------|-----|-----|-----|-------------|-------|
| RS3 | RS2 | RS1 | RS0 | Frequency | Units |
| 0 | 0 | 0 | 0 | None | - |
| 0 | 0 | 0 | 1 | 32.768 | kHz |
| 0 | 0 | 1 | 0 | 8.192 | kHz |
| 0 | 0 | 1 | 1 | 4.096 | kHz |
| 0 | 1 | 0 | 0 | 2.048 | kHz |
| 0 | 1 | 0 | 1 | 1.024 | kHz |
| 0 | 1 | 1 | 0 | 512 | Hz |
| 0 | 1 | 1 | 1 | 256 | Hz |
| 1 | 0 | 0 | 0 | 128 | Hz |
| 1 | 0 | 0 | 1 | 64 | Hz |
| 1 | 0 | 1 | 0 | 32 | Hz |
| 1 | 0 | 1 | 1 | 16 | Hz |
| 1 | 1 | 0 | 0 | 8 | Hz |
| 1 | 1 | 0 | 1 | 4 | Hz |
| 1 | 1 | 1 | 0 | 2 | Hz |
| 1 | 1 | 1 | 1 | 1 | Hz |

3.7 Century bit

Bits D7 and D6 of Clock Register 03h contain the CENTURY ENABLE Bit (CEB) and the CENTURY Bit (CB). Setting CEB to a '1' will cause CB to toggle, either from a '0' to '1' or from '1' to '0' at the turn of the century (depending upon its initial state). If CEB is set to a '0,' CB will not toggle.

3.8 Output driver pin

When the FT Bit, AFE Bit, SQWE Bit, and Watchdog Register are not set, the $\overline{\text{IRQ/FT/OUT/SQW}}$ pin becomes an output driver that reflects the contents of D7 of the Control Register. In other words, when D7 (OUT Bit) and D6 (FT Bit) of address location 08h are a '0,' then the $\overline{\text{IRQ/FT/OUT/SQW}}$ pin will be driven low.

Note: The $\overline{\text{IRQ/FT/OUT/SQW}}$ pin is an open drain which requires an external pull-up resistor.

3.9 Preferred initial power-on default

Upon initial application of power to the device, the following register bits are set to a '0' state: Watchdog Register; AFE; ABE; SQWE; and FT. The following bits are set to a '1' state: ST; OUT; and HT (see [Table 5 on page 20](#)).

Table 5. Preferred default values

| Condition | ST | HT | Out | FT | AFE | SQWE | ABE | WATCHDOG register ⁽¹⁾ |
|---|----|----|-----|----|-----|------|-----|----------------------------------|
| Initial power-up ⁽²⁾ | 1 | 1 | 1 | 0 | 0 | 0 | 0 | 0 |
| Subsequent power-up (with battery back-up) ⁽³⁾ | UC | 1 | UC | 0 | UC | UC | UC | 0 |

1. BMB0-BMB4, RB0, RB1.

2. State of other control bits undefined.

3. UC = unchanged

4 Maximum rating

Stressing the device above the rating listed in the “Absolute Maximum Ratings” table may cause permanent damage to the device. These are stress ratings only and operation of the device at these or any other conditions above those indicated in the Operating sections of this specification is not implied. Exposure to Absolute Maximum Rating conditions for extended periods may affect device reliability. Refer also to the STMicroelectronics SURE Program and other relevant quality documents.

Table 6. Absolute maximum ratings

| Sym | Parameter | | Value | Unit |
|------------------|---|--|------------------------------|------|
| T _{STG} | Storage temperature (V _{CC} off, oscillator off) | SOIC | –55 to 125 | °C |
| V _{CC} | Supply voltage | | –0.3 to 7 | V |
| T _{SLD} | Lead solder temperature for 10 seconds | Lead-free lead finish ⁽¹⁾ | 260 | °C |
| | | Standard (SnPb) lead finish ⁽²⁾ | 240 | °C |
| V _{IO} | Input or output voltages | | –0.3 to V _{CC} +0.3 | V |
| I _O | Output current | | 20 | mA |
| P _D | Power dissipation | | 1 | W |

1. For SO8 package, lead-free (Pb-free) lead finish: Reflow at peak temperature of 260°C (total thermal budget not to exceed 245°C for greater than 30 seconds).
2. For SO8 package, standard (SnPb) lead finish: Reflow at peak temperature of 240°C (total thermal budget not to exceed 180°C for between 90 to 150 seconds).

Caution: Negative undershoots below –0.3 volts are not allowed on any pin while in the Battery Back-up Mode

5 DC and AC parameters

This section summarizes the operating and measurement conditions, as well as the DC and AC characteristics of the device. The parameters in the following DC and AC Characteristic tables are derived from tests performed under the Measurement Conditions listed in the relevant tables. Designers should check that the operating conditions in their projects match the measurement conditions when using the quoted parameters.

Table 7. Operating and AC measurement conditions⁽¹⁾

| Parameter | M41T81 |
|---|----------------------------|
| Supply voltage (V_{CC}) | 2.0 to 5.5V |
| Ambient operating temperature (T_A) | -40 to 85°C |
| Load capacitance (C_L) | 100pF |
| Input rise and fall times | ≤ 50 ns |
| Input pulse voltages | $0.2V_{CC}$ to $0.8V_{CC}$ |
| Input and output timing ref. voltages | $0.3V_{CC}$ to $0.7V_{CC}$ |

1. Output Hi-Z is defined as the point where data is no longer driven.

Figure 14. AC measurement I/O waveform

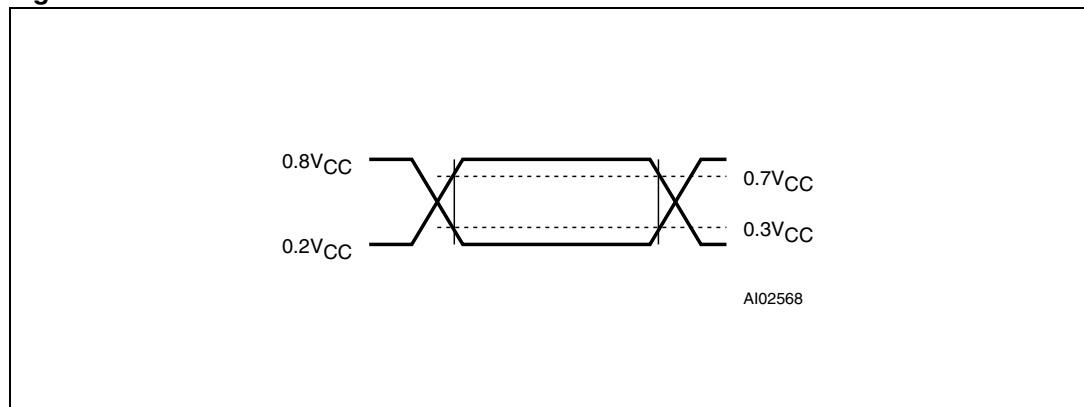


Table 8. Capacitance

| Symbol | Parameter ^{(1) (2)} | Min | Max | Unit |
|-----------------|---|-----|-----|------|
| C_{IN} | Input capacitance | | 7 | pF |
| $C_{OUT}^{(3)}$ | Output capacitance | | 10 | pF |
| t_{LP} | Low-pass filter input time constant (SDA and SCL) | | 50 | ns |

1. Effective capacitance measured with power supply at 5V; sampled only, not 100% tested.
2. At 25°C, $f = 1$ MHz.
3. Outputs deselected.

Table 9. DC characteristics

| Sym | Parameter | Test condition ⁽¹⁾ | Min | Typ | Max | Unit |
|---------------------------------|--|--|--------------------|-----|-----------------------|------|
| I _{LI} | Input leakage current | 0V ≤ V _{IN} ≤ V _{CC} | | | ±1 | μA |
| I _{LO} | Output leakage current | 0V ≤ V _{OUT} ≤ V _{CC} | | | ±1 | μA |
| I _{CC1} | Supply current | Switch freq = 400kHz | | | 400 | μA |
| I _{CC2} | Supply current (standby) | SCL, SDA = V _{CC} - 0.3V | | | 100 | μA |
| V _{IL} | Input low voltage | | -0.3 | | 0.3V _{CC} | V |
| V _{IH} | Input high voltage | | 0.7V _{CC} | | V _{CC} + 0.3 | V |
| V _{OL} | Output low voltage | I _{OL} = 3.0mA | | | 0.4 | V |
| | Output low voltage (open drain) ⁽²⁾ | I _{OL} = 10mA | | | 0.4 | V |
| | Pull-up supply voltage (open drain) | IRQ/OUT/FT/SQW | | | 5.5 | V |
| V _{BAT} ⁽³⁾ | Battery supply voltage | | 2.5 ⁽⁴⁾ | 3 | 3.5 ⁽⁵⁾ | V |
| I _{BAT} | Battery supply current | T _A = 25°C, V _{CC} = 0V oscillator on, V _{BAT} = 3V | | 0.6 | 1 | μA |

- Valid for Ambient Operating Temperature: T_A = -40 to 85°C; V_{CC} = 2.0 to 5.5V (except where noted).
- For IRQ/OUT/FT/SQW pin (Open Drain)
- STMicroelectronics recommends the RAYOVAC BR1225 or BR1632 (or equivalent) as the battery supply.
- After switchover (V_{SD}), V_{BAT} (min) can be 2.0V for crystal with R_S = 40KΩ
- For rechargeable back-up, V_{BAT} (max) may be considered V_{CC}.

Table 10. Crystal electrical characteristics

| Sym | Parameter ^{(1) (2)} | Min | Typ | Max | Units |
|----------------|------------------------------|-----|--------|-----|-------|
| f _O | Resonant frequency | | 32.768 | | kHz |
| R _S | Series resistance | | | 60 | kΩ |
| C _L | Load capacitance | | 12.5 | | pF |

- Externally supplied. STMicroelectronics recommends the KDS DT-38: 1TA/1TC252E127, Tuning Fork Type (thru-hole) or the DMX-26S: 1TJS125FH2A212, (SMD) quartz crystal for industrial temperature operations. KDS can be contacted at kouhou@kdsj.co.jp or <http://www.kdsj.co.jp> for further information on this crystal type.
- Load capacitors are integrated within the M41T81. Circuit board layout considerations for the 32.768kHz crystal of minimum trace lengths and isolation from RF generating signals should be taken into account.

Figure 15. Power down/up mode AC waveforms

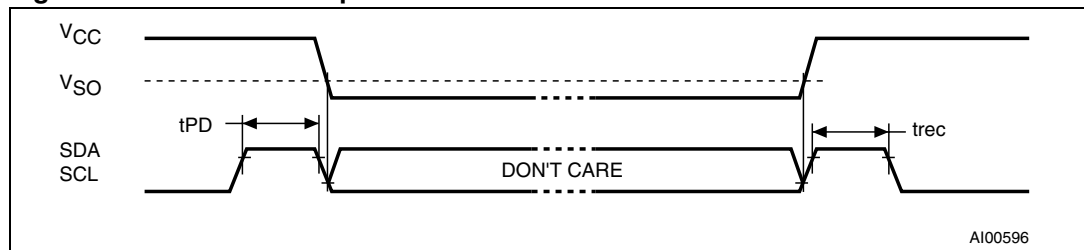


Table 11. Power down/up AC characteristics

| Symbol | Parameter ^{(1) (2)} | Min | Typ | Max | Unit |
|-----------|---|-----|-----|-----|---------|
| t_{PD} | SCL and SDA at V_{IH} before power down | 0 | | | nS |
| t_{rec} | SCL and SDA at V_{IH} after power Up | 10 | | | μ S |

- V_{CC} fall time should not exceed 5mV/ μ s.
- Valid for Ambient Operating Temperature: $T_A = -40$ to 85° C; $V_{CC} = 2.0$ to 5.5 V (except where noted).

Table 12. Power down/up trip points DC characteristics

| Sym | Parameter ^{(1) (2)} | Min | Typ | Max | Unit |
|----------|------------------------------------|------------------|------------------|------------------|------|
| V_{SO} | Battery back-up switchover voltage | $V_{BAT} - 0.80$ | $V_{BAT} - 0.50$ | $V_{BAT} - 0.30$ | V |

- All voltages referenced to V_{SS} .
- Valid for Ambient Operating Temperature: $T_A = -40$ to 85° C; $V_{CC} = 2.0$ to 5.5 V (except where noted).

Figure 16. Bus timing requirements sequence

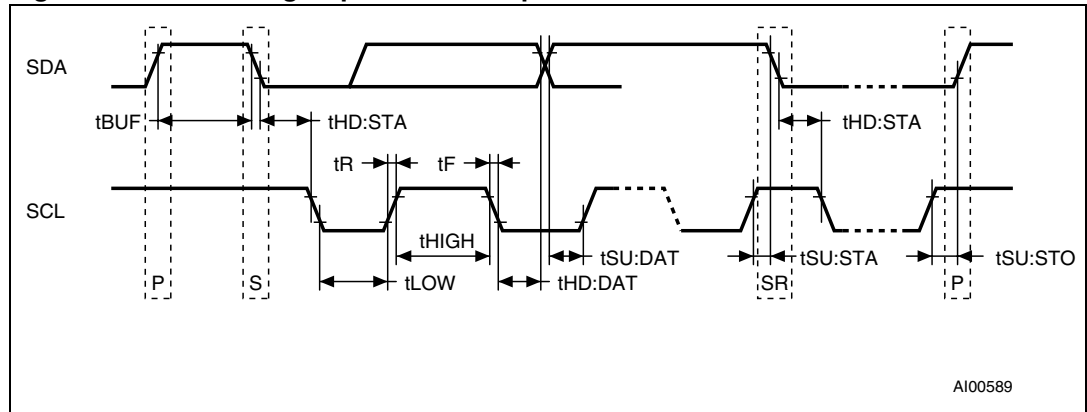


Table 13. AC characteristics

| Sym | Parameter ⁽¹⁾ | Min | Typ | Max | Units |
|------------------------------------|---|-----|-----|-----|-------|
| f _{SCL} | SCL clock frequency | 0 | | 400 | kHz |
| t _{LOW} | Clock low period | 1.3 | | | μs |
| t _{HIGH} | Clock high period | 600 | | | ns |
| t _R | SDA and SCL rise time | | | 300 | ns |
| t _F | SDA and SCL fall time | | | 300 | ns |
| t _{HD:STA} | START condition hold time (after this period the first clock pulse is generated) | 600 | | | ns |
| t _{SU:STA} | START condition setup time (only relevant for a repeated start condition) | 600 | | | ns |
| t _{SU:DAT} | Data setup time | 100 | | | ns |
| t _{HD:DAT} ⁽²⁾ | Data hold time | 0 | | | μs |
| t _{SU:STO} | STOP condition setup time | 600 | | | ns |
| t _{BUF} | Time the bus must be free before a new transmission can start | 1.3 | | | μs |

1. Valid for Ambient Operating Temperature: T_A = -40 to 85°C; V_{CC} = 2.0 to 5.5V (except where noted).

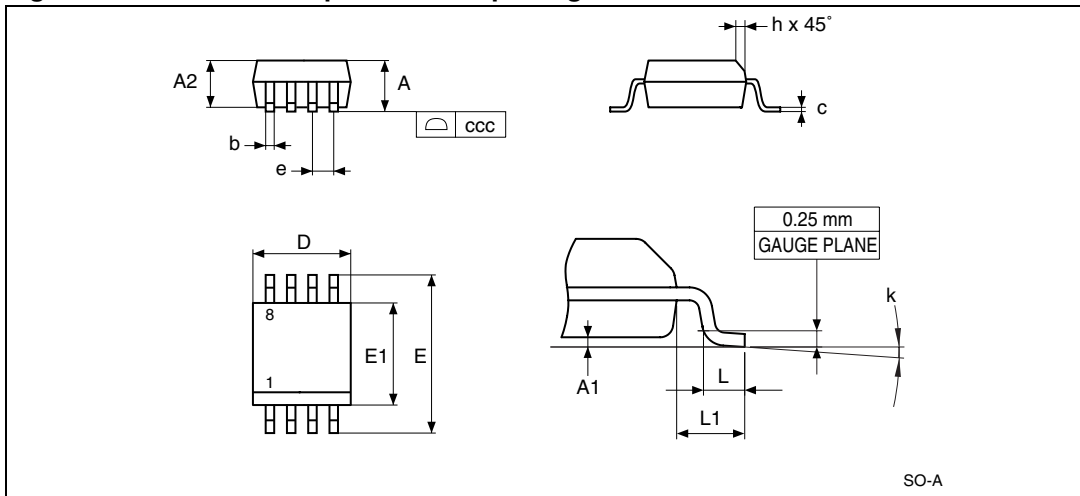
2. Transmitter must internally provide a hold time to bridge the undefined region (300ns max) of the falling edge of SCL.

6 Package mechanical information

In order to meet environmental requirements, ST offers these devices in ECOPACK® packages. These packages have a Lead-free second level interconnect. The category of second Level Interconnect is marked on the package and on the inner box label, in compliance with JEDEC Standard JESD97.

The maximum ratings related to soldering conditions are also marked on the inner box label. ECOPACK is an ST trademark. ECOPACK specifications are available at: www.st.com.

Figure 17. SO8 – 8-lead plastic small package outline



1. Drawing is not to scale.

Table 14. SO8 – 8-lead plastic small outline (150 mils body width), package mechanical data

| Symbol | Millimeters | | | inches | | |
|--------|-------------|------|------|--------|-------|-------|
| | Typ | Min | Max | Typ | Min | Max |
| A | | | 1.75 | | | 0.069 |
| A1 | | 0.10 | 0.25 | | 0.004 | 0.010 |
| A2 | | 1.25 | | | 0.049 | |
| b | | 0.28 | 0.48 | | 0.011 | 0.019 |
| c | | 0.17 | 0.23 | | 0.007 | 0.009 |
| ccc | | | 0.10 | | | 0.004 |
| D | 4.90 | 4.80 | 5.00 | 0.193 | 0.189 | 0.197 |
| E | 6.00 | 5.80 | 6.20 | 0.236 | 0.228 | 0.244 |
| E1 | 3.90 | 3.80 | 4.00 | 0.154 | 0.150 | 0.157 |
| e | 1.27 | – | – | 0.050 | – | – |
| h | | 0.25 | 0.50 | | 0.010 | 0.020 |
| k | | 0° | 8° | | 0° | 8° |
| L | | 0.40 | 1.27 | | 0.016 | 0.050 |
| L1 | 1.04 | | | 0.041 | | |

7 Part numbering

Table 15. Ordering information scheme

| Example: | M41T | 81 | M | 6 | E |
|---|------|----|---|---|---|
| Device type | | | | | |
| M41T | | | | | |
| Supply voltage and write protect voltage | | | | | |
| 81 = $V_{CC} = 2.0$ to $5.5V$ | | | | | |
| Package | | | | | |
| M = SO8 | | | | | |
| Temperature range | | | | | |
| 6 = $-40^{\circ}C$ to $85^{\circ}C$ | | | | | |
| Shipping method | | | | | |
| For SO8: | | | | | |
| E = ECOPACK® package, standard package | | | | | |
| F = ECOPACK® package, tape & reel 24mm packing | | | | | |

For other options, or for more information on any aspect of this device, please contact the ST Sales Office nearest you.

8 Revision history

Table 16. Revision history

| Date | Revision | Revision details |
|---------------|----------|--|
| December 2001 | 1.0 | First issue |
| 21-Jan-02 | 1.1 | Fix table footnotes (Table 9 , Table 10) |
| 01-May-02 | 1.2 | Modify reflow time and temperature footnote (Table 6) |
| 05-Jun-02 | 1.3 | Modify data retention text, trip points (Table 12) |
| 10-Jun-02 | 1.4 | Corrected supply voltage values (Table 6 , Table 7) |
| 03-Jul-02 | 1.5 | Modify DC characteristics, crystal electrical table footnotes, preferred default values (Table 9 , Table 10 , Table 5) |
| 11-Oct-02 | 1.6 | Add marketing status (Figure 2; Table 15); adjust footnotes (Figure 2 ; Table 9) |
| 21-Jan-03 | 1.7 | Add embedded crystal package option (Figure 1, 3, 23; Table 16); modified pre-existing mechanical drawing (Figure 17 ; Table 14). |
| 05-Mar-03 | 1.8 | Correct dimensions (Table 16); remove SNAPHAT [®] package option |
| 12-Sep-03 | 2.0 | Updated disclaimer, v2.2 template; add SOX18 package (Figure 2, 4; Table 15) |
| 27-Apr-04 | 3.0 | Reformatted; update characteristics (Figure 4, 3, Figure 3 , Figure 10 , Figure 13 , Table 1 , Table 6 , Table 9 , Table 12 , Table 15) |
| 17-Jun-04 | 4.0 | Reformatted; add lead-free information; add dual footprint connections (Figure 5; Table 6 , Table 15) |
| 7-Sep-04 | 5.0 | Update footprint and maximum ratings (Figure 5; Table 6) |
| 13-Sep-04 | 6.0 | Update max ratings (Table 6) |
| 03-Jun-05 | 7 | Remove SOX18 and SOX28 references (Features summary, Figure 1 ; Table 1 , Table 6 , Table 10 , Table 15) |
| 12-Jul-2006 | 8 | Changed document to new template; Updated package mechanical data in Section 6: Package mechanical information ; small text changes for entire document; ecopack compliant. |

Please Read Carefully:

Information in this document is provided solely in connection with ST products. STMicroelectronics NV and its subsidiaries ("ST") reserve the right to make changes, corrections, modifications or improvements, to this document, and the products and services described herein at any time, without notice.

All ST products are sold pursuant to ST's terms and conditions of sale.

Purchasers are solely responsible for the choice, selection and use of the ST products and services described herein, and ST assumes no liability whatsoever relating to the choice, selection or use of the ST products and services described herein.

No license, express or implied, by estoppel or otherwise, to any intellectual property rights is granted under this document. If any part of this document refers to any third party products or services it shall not be deemed a license grant by ST for the use of such third party products or services, or any intellectual property contained therein or considered as a warranty covering the use in any manner whatsoever of such third party products or services or any intellectual property contained therein.

UNLESS OTHERWISE SET FORTH IN ST'S TERMS AND CONDITIONS OF SALE ST DISCLAIMS ANY EXPRESS OR IMPLIED WARRANTY WITH RESPECT TO THE USE AND/OR SALE OF ST PRODUCTS INCLUDING WITHOUT LIMITATION IMPLIED WARRANTIES OF MERCHANTABILITY, FITNESS FOR A PARTICULAR PURPOSE (AND THEIR EQUIVALENTS UNDER THE LAWS OF ANY JURISDICTION), OR INFRINGEMENT OF ANY PATENT, COPYRIGHT OR OTHER INTELLECTUAL PROPERTY RIGHT.

UNLESS EXPRESSLY APPROVED IN WRITING BY AN AUTHORIZED ST REPRESENTATIVE, ST PRODUCTS ARE NOT RECOMMENDED, AUTHORIZED OR WARRANTED FOR USE IN MILITARY, AIR CRAFT, SPACE, LIFE SAVING, OR LIFE SUSTAINING APPLICATIONS, NOR IN PRODUCTS OR SYSTEMS WHERE FAILURE OR MALFUNCTION MAY RESULT IN PERSONAL INJURY, DEATH, OR SEVERE PROPERTY OR ENVIRONMENTAL DAMAGE. ST PRODUCTS WHICH ARE NOT SPECIFIED AS "AUTOMOTIVE GRADE" MAY ONLY BE USED IN AUTOMOTIVE APPLICATIONS AT USER'S OWN RISK.

Resale of ST products with provisions different from the statements and/or technical features set forth in this document shall immediately void any warranty granted by ST for the ST product or service described herein and shall not create or extend in any manner whatsoever, any liability of ST.

ST and the ST logo are trademarks or registered trademarks of ST in various countries.

Information in this document supersedes and replaces all information previously supplied.

The ST logo is a registered trademark of STMicroelectronics. All other names are the property of their respective owners.

© 2006 STMicroelectronics - All rights reserved

STMicroelectronics group of companies

Australia - Belgium - Brazil - Canada - China - Czech Republic - Finland - France - Germany - Hong Kong - India - Israel - Italy - Japan - Malaysia - Malta - Morocco - Singapore - Spain - Sweden - Switzerland - United Kingdom - United States of America

www.st.com