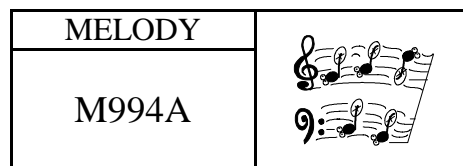


VDD CONTROL  
DUAL TONE

电源控制  
128 音符双音 IC



FEATURES 功能叙述

- Dual tone 128 notes.
- OL: Switch of one octave lower output.
- Tempo adj.: Rosc Ext. / Built-in available.
- Package: TO92-3L, DIP 16L or CHIP form.

P/N	SONG LIST
M994A-05	SWEET HOME
M994A-19	FOR ALICE
M994A-68	SMALL WORLD ( 18 Sec )
M994A-69	SMALL WORLD ( 14 Sec )
M994A-LB	LOVE BLUE

APPLICATION 产品应用

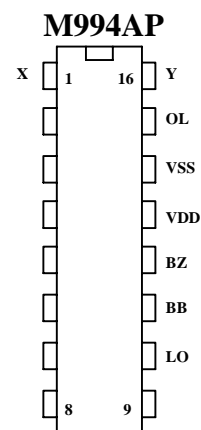
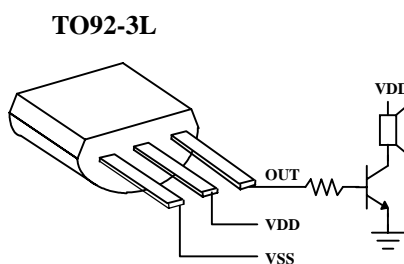
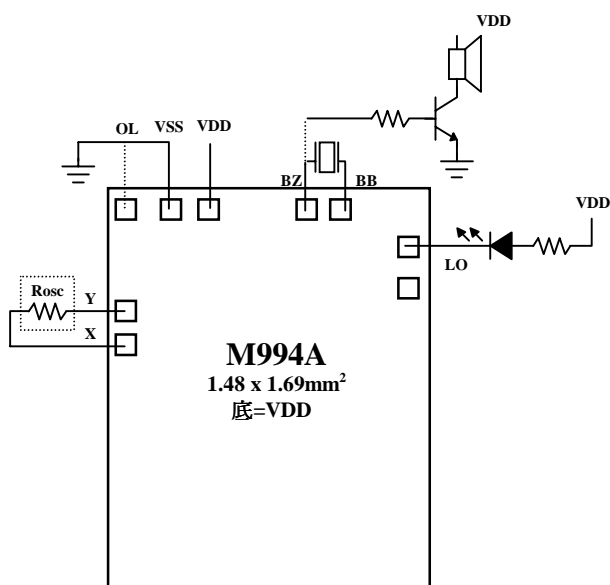
- Telephone, EPABX, Toys etc..

ELECTRICAL CHARACTERISTICS 电气规格

( @V<sub>DD</sub>=3V unless otherwise specified )

Characteristics	Sym.	Min.	Typ.	Max.	Unit	REMARKS
工作电压 Operating Voltage	V <sub>DD</sub>	—	3	3.5	V	
工作电流 Operating Current	I <sub>OP</sub>	—	0.4	0.7	mA	No load
静态电流 Quiescent Current	I <sub>SB</sub>	—	—	—	μ A	
推动电流 BZ Driving Current	I <sub>O</sub>	0.4	0.7	—	mA	@ V <sub>DS</sub> =1V
推动电流 LED Driving Current	I <sub>OL</sub>	6	6	—	mA	@ V <sub>DS</sub> =1.2V
振荡频率 Oscillator Frequency	F <sub>OSC</sub>	—	250	—	KHz	± 30% TOL.
工作温度 Operating Temperature	Temp.	0	25	60	°C	

APPLICATION DIAGRAM 参考电路图



ORDERING INFORMATION

- M994AX-XXLR
- Rosc Ext. (default Int.)
  - One octave low. (default Normal)
  - Song Name
  - Package T – TO92-3L  
P – DIP  
— CHIP

\*All specs and applications shown above subject to change without prior notice.  
( 以上电路及规格仅供参考,本公司得径行修正 )