

# SCHOTTKY MIXER DIODE

**DESCRIPTION:**

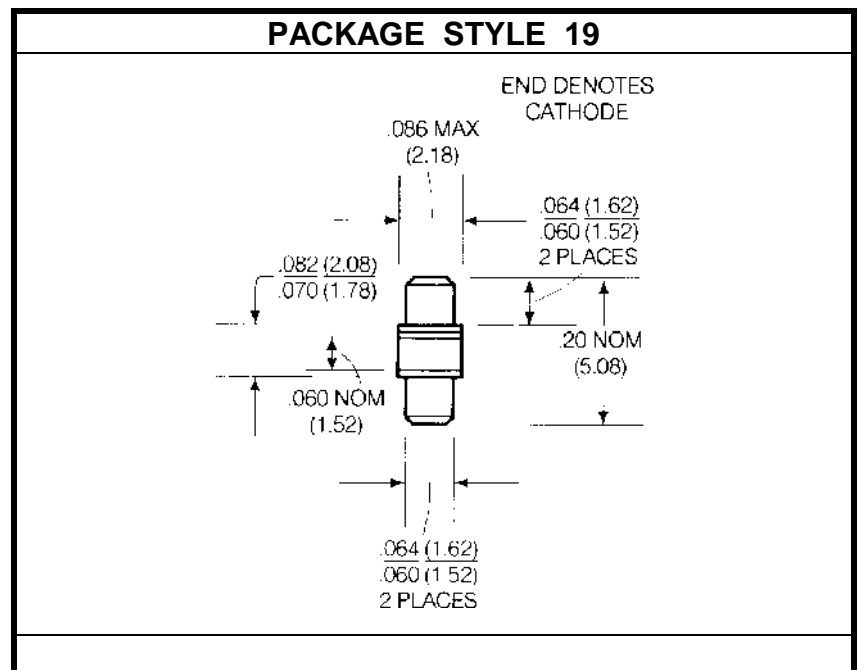
The **ASI MA40160** is a Silicon medium barrier Schottky Diode Designed for normal L.O. drive, Mixer Applications up to 26 GHz.

**FEATURES:**

- Ceramic Package

**MAXIMUM RATINGS**

<b>I<sub>F</sub></b>	2.0 mA
<b>V<sub>R</sub></b>	3.0 V
<b>P<sub>DISS</sub></b>	75 mW @ T <sub>C</sub> = 25 °C
<b>T<sub>J</sub></b>	-65 °C to +150 °C
<b>T<sub>STG</sub></b>	-65 °C to +150 °C


**CHARACTERISTICS** T<sub>C</sub> = 25 °C

SYMBOL	TEST CONDITIONS			MINIMUM	TYPICAL	MAXIMUM	UNITS
<b>V<sub>F</sub></b>	I <sub>F</sub> = 2.0 mA				200	500	mV
<b>V<sub>BR</sub></b>	I <sub>R</sub> = 3.0 μA			3.0			V
<b>C<sub>J0</sub></b>	V <sub>R</sub> = 0 V		f = 1 MHz	0.06		0.10	pF
<b>NF</b> <b>Z<sub>IF</sub></b>	F = 16 Ghz N <sub>IF</sub> = 1.5 dB	P <sub>LO</sub> = 10 dBm R <sub>L</sub> = 22 Ω	F <sub>IF</sub> = 30 KHz	250		6.5 450	dB Ohms
<b>SRW</b>	Peak power = 1 mW		R <sub>L</sub> = 22 Ω		0.2		---