



# High-Side, N-Channel MOSFET Switch Driver

## General Description

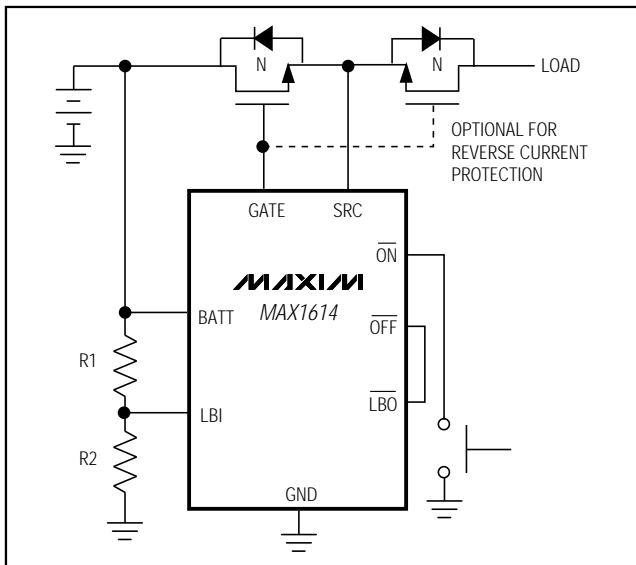
The MAX1614 drives high-side, N-channel power MOSFETs to provide battery power-switching functions in portable equipment. N-channel power MOSFETs typically have one-third the on-resistance of P-channel MOSFETs of similar size and cost. An internal micropower regulator and charge pump generate the high-side drive output voltage, while requiring no external components.

The MAX1614 also features a 1.5%-accurate low-battery comparator that can be used to indicate a low-battery condition, provide an early power-fail warning to the system microprocessor, or disconnect the battery from the load, preventing deep discharge and battery damage. An internal latch allows for pushbutton on/off control with very low current consumption. Off-mode current consumption is only 6 $\mu$ A while normal operation requires less than 25 $\mu$ A. The MAX1614 is available in the space-saving  $\mu$ MAX package that occupies about 60% less space than a standard 8-pin SO.

## Applications

Notebook Computers  
 Portable Equipment  
 Hand-Held Instruments  
 Battery Packs

## Typical Operating Circuit



## Features

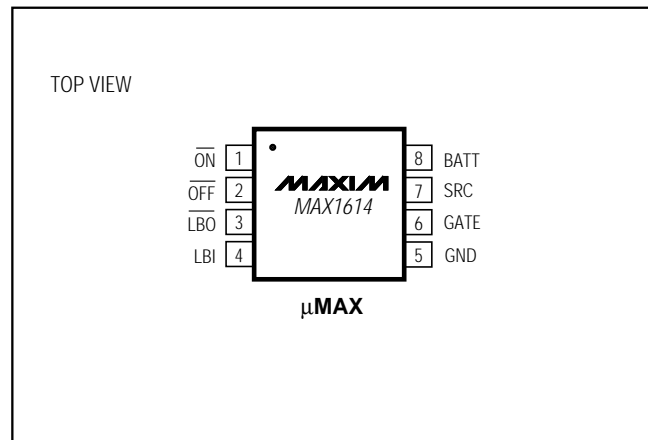
- ♦ Internal On/Off Latch
- ♦ High-Side, N-Channel Power MOSFET Drive
- ♦ 25 $\mu$ A (max) Quiescent Current
- ♦ 6 $\mu$ A (max) Off Current
- ♦ Requires No External Components
- ♦ 1.5%-Accurate Low-Battery Detector
- ♦ Space-Saving  $\mu$ MAX Package
- ♦ 5V to 26V Input Voltage Range
- ♦ Drives Single or Back-to-Back MOSFETs
- ♦ Controlled Turn-On for Low Inrush Current

## Ordering Information

PART	TEMP. RANGE	PIN-PACKAGE
MAX1614C/D	0°C to +70°C	Dice*
MAX1614EUA	-40°C to +85°C	8 $\mu$ MAX

\*Contact factory for dice specifications.

## Pin Configuration



# High-Side, N-Channel MOSFET Switch Driver

## ABSOLUTE MAXIMUM RATINGS

BATT, SRC to GND.....	-0.3V to +30V	Continuous Power Dissipation (T <sub>A</sub> = +70°C)	
GATE to SRC.....	-0.3V to +12V	μMAX (derate 4.10mW/°C above +70°C) .....	330mW
GATE to GND.....	-0.3V to +36V	Operating Temperature Range .....	-40°C to +85°C
GATE + SRC Sink Current, Continuous .....	2.7mA	Junction Temperature .....	+150°C
LBI, LBO, ON, OFF to GND.....	-0.3V to +12V	Storage Temperature Range .....	-65°C to +160°C
LBO Current.....	5mA	Lead Temperature (soldering, 10sec) .....	+300°C

Stresses beyond those listed under "Absolute Maximum Ratings" may cause permanent damage to the device. These are stress ratings only, and functional operation of the device at these or any other conditions beyond those indicated in the operational sections of the specifications is not implied. Exposure to absolute maximum rating conditions for extended periods may affect device reliability.

## ELECTRICAL CHARACTERISTICS

(V<sub>BATT</sub> = 15V, T<sub>A</sub> = 0°C to +85°C, unless otherwise noted. Typical values are at T<sub>A</sub> = +25°C.)

PARAMETER	SYMBOL	CONDITIONS	MIN	TYP	MAX	UNITS
BATT Operating Range		V <sub>GATE</sub> - V <sub>SRC</sub> > 3V, SRC = BATT	5		26	V
BATT Shutdown Current	I <sub>SHDN</sub>	V <sub>BATT</sub> = 26V, $\overline{\text{ON}} = \overline{\text{OFF}} = \text{unconnected}$ , I <sub>GATE</sub> = 0A, device latched off, V <sub>LBI</sub> = 1.5V		4	7	μA
Quiescent Current	I <sub>BATT</sub> + I <sub>SRC</sub>	V <sub>BATT</sub> = 15V, $\overline{\text{ON}} = \overline{\text{OFF}} = \text{unconnected}$ , I <sub>GATE</sub> = 0A, device latched on, V <sub>LBI</sub> = 1.5V, SRC = BATT		17	30	μA
		V <sub>BATT</sub> = 26V, $\overline{\text{ON}} = \overline{\text{OFF}} = \text{unconnected}$ , I <sub>GATE</sub> = 0A, device latched on, V <sub>LBI</sub> = 1.5V, SRC = BATT		21	40	
<b>INTERNAL CHARGE PUMP</b>						
GATE Drive Voltage	V <sub>GS</sub>	Measured from GATE to SRC, V <sub>BATT</sub> = 15V, I <sub>GATE</sub> = 0A	6.5	8	9.0	V
		Measured from GATE to SRC, V <sub>BATT</sub> = V <sub>SRC</sub> = 5V, I <sub>GATE</sub> = 1.5μA	3			
GATE Drive Output Current		V <sub>GATE</sub> = V <sub>SRC</sub> = 15V	15		60	μA
GATE Discharge Current		V <sub>GATE</sub> = 4V, device latched off	0.5		2	mA
<b>LOW-BATTERY COMPARATOR</b>						
LBI Trip Level	V <sub>TH</sub>	LBI input falling	1.182	1.20	1.218	V
LBI Trip Hysteresis				0.02V <sub>TH</sub>		V
Minimum V <sub>BATT</sub> for Valid LBO		Tested at V <sub>LBI</sub> = V <sub>BATT</sub> / 4		0.9	4	V
LBI Input Current	I <sub>LBI</sub>	V <sub>LBI</sub> = 1.3V			10	nA
LBO Low Voltage	V <sub>OL</sub>	I <sub>SINK</sub> = 1mA			0.4	V
LBO High Leakage	V <sub>OH</sub>	V <sub>LBO</sub> = 11.5V			0.5	μA
<b>CONTROL INPUTS (<math>\overline{\text{ON}}</math>, <math>\overline{\text{OFF}}</math>)</b>						
Minimum Input Pull-Up Current		Tested at 2V	0.5			μA
Maximum Input Pull-Up Current		Tested at 0.6V		1.5	2	μA
Input Low Voltage	V <sub>IL</sub>	V <sub>BATT</sub> = 5V			0.6	V
Input High Voltage	V <sub>IH</sub>	V <sub>BATT</sub> = 26V	2.0			V
Minimum Input Pulse Width	t <sub>pw</sub>	V <sub>BATT</sub> = 5V		0.5	1.0	μs

# High-Side, N-Channel MOSFET Switch Driver

MAX1614

## ELECTRICAL CHARACTERISTICS

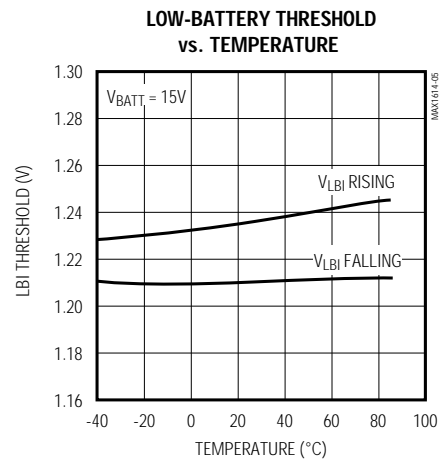
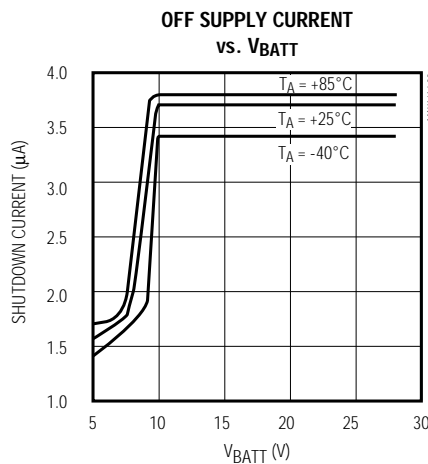
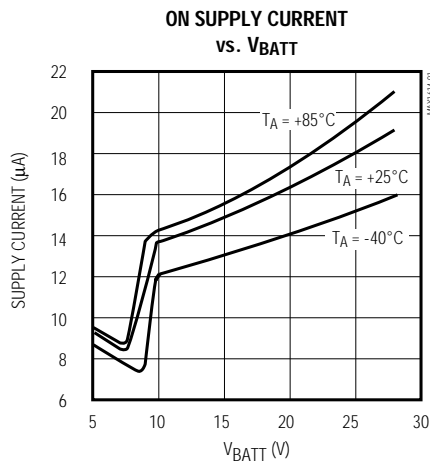
( $V_{BATT} = 15V$ ,  $T_A = -40^{\circ}C$  to  $+85^{\circ}C$ , unless otherwise noted.) (Note 1)

PARAMETER	SYMBOL	CONDITIONS	MIN	TYP	MAX	UNITS
BATT Operating Range		$V_{GATE} - V_{SRC} > 3V$ , $SRC = BATT$	5.0		26	V
BATT Shutdown Current	$I_{SHDN}$	$V_{BATT} = 26V$ , $\overline{ON} = \overline{OFF} = \text{unconnected}$ , $I_{GATE} = 0A$ , device latched off, $V_{LBI} = 1.5V$			8	$\mu A$
Quiescent Current	$I_{BATT} + I_{SAC}$	$V_{BATT} = 26V$ , $\overline{ON} = \overline{OFF} = \text{unconnected}$ , $I_{GATE} = 0A$ , device latched on, $V_{LBI} = 1.5V$			40	$\mu A$
<b>INTERNAL CHARGE PUMP</b>						
GATE Drive Voltage	$V_{GS}$	Measured from GATE to SRC, $V_{BATT} = 15V$ , $I_{GATE} = 0A$	6.5		9.0	V
		Measured from GATE to SRC, $V_{BATT} = 5.25V$ , $I_{GATE} = 1.5\mu A$ , $V_{SRC} = 5.25V$	3			
GATE Drive Output Current		$V_{GATE} = V_{SRC} = 15V$	15		60	$\mu A$
<b>LOW-BATTERY COMPARATOR</b>						
LBI Trip Level	$V_{TH}$	LBI input falling	1.176	1.20	1.224	V

**Note 1:** Specifications to  $-40^{\circ}C$  are guaranteed by design and not production tested.

## Typical Operating Characteristics

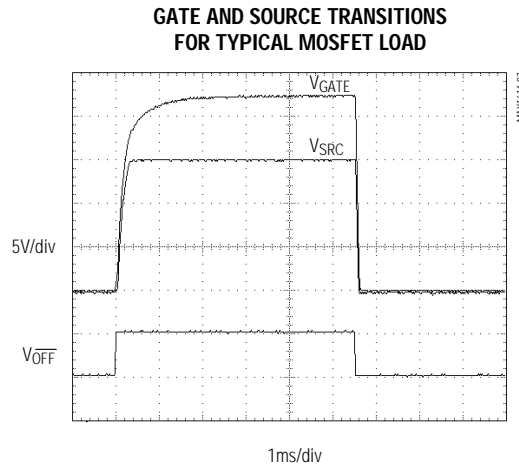
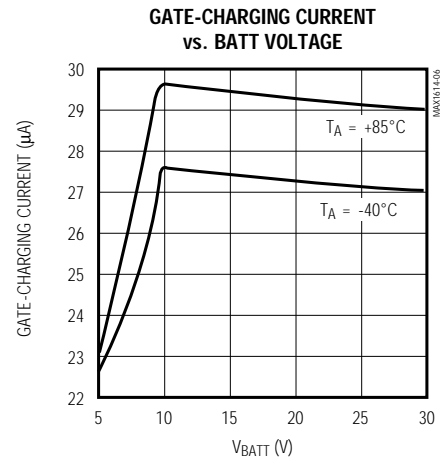
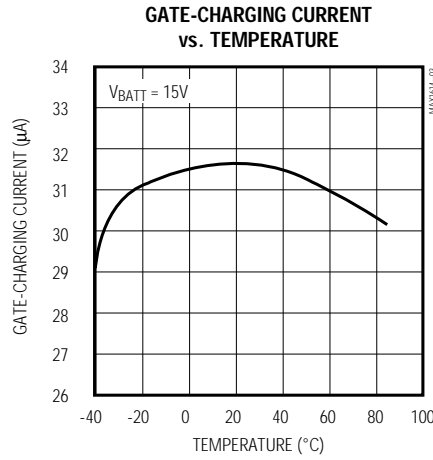
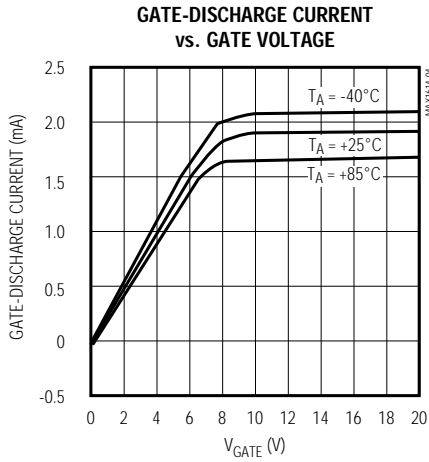
( $T_A = +25^{\circ}C$ , unless otherwise noted.)



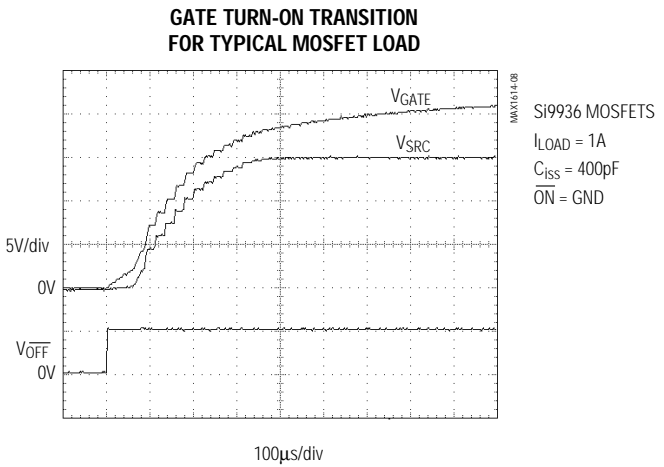
# High-Side, N-Channel MOSFET Switch Driver

## Typical Operating Characteristics (continued)

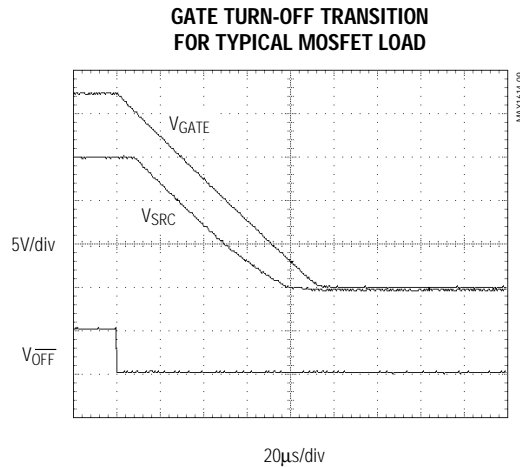
( $T_A = +25^\circ\text{C}$ , unless otherwise noted.)



Si9936 MOSFETS  
 $I_{LOAD} = 1\text{A}$   
 $\overline{ON} = \text{GND}$



Si9936 MOSFETS  
 $I_{LOAD} = 1\text{A}$   
 $C_{ISS} = 400\text{pF}$   
 $\overline{ON} = \text{GND}$



Si9936 MOSFETS  
 $I_{LOAD} = 1\text{A}$   
 $C_{ISS} = 400\text{pF}$   
 $\overline{ON} = \text{GND}$

# High-Side, N-Channel MOSFET Switch Driver

## Pin Description

MAX1614

PIN	NAME	FUNCTION
1	$\overline{\text{ON}}$	$\overline{\text{SET}}$ Input to the On/Off Latch. Pulse $\overline{\text{ON}}$ low with $\overline{\text{OFF}}$ high to turn on the external MOSFET switch. When both $\overline{\text{ON}}$ and $\overline{\text{OFF}}$ are low, the part is off.
2	$\overline{\text{OFF}}$	$\overline{\text{RESET}}$ Input to the On/Off Latch. Pulse $\overline{\text{OFF}}$ low with $\overline{\text{ON}}$ high to turn off the external MOSFET switch. When both $\overline{\text{ON}}$ and $\overline{\text{OFF}}$ are low, the part is off.
3	$\overline{\text{LBO}}$	Open-Drain, Low-Battery Comparator Output. $\overline{\text{LBO}}$ is low when $V_{\text{LBI}}$ is below the trip point.
4	LBI	Low-Battery Comparator Input. $\overline{\text{LBO}}$ goes low when $V_{\text{LBI}}$ falls below 1.20V (typ). Connect a voltage divider between BATT, LBI, and GND to set the battery undervoltage trip threshold (see <i>Typical Operating Circuit</i> ).
5	GND	System Ground
6	GATE	Gate-Drive Output. Connect to the gates of external, N-channel MOSFETs. When the MAX1614 is off, GATE actively pulls to GND.
7	SRC	Source Input. Connect to the sources of external, N-channel MOSFETs. When the MAX1614 is off, SRC actively pulls to GND.
8	BATT	Battery Input. Connect to a battery voltage between 5V and 26V.

## Detailed Description

The MAX1614 uses an internal, monolithic charge pump and low-dropout linear regulator to supply the required 8V  $V_{\text{GS}}$  voltage to fully enhance an N-channel MOSFET high-side switch (Figure 1). The charge pump typically supplies 30 $\mu\text{A}$ , charging 800pF of gate capacitance in 400 $\mu\text{s}$  ( $V_{\text{BATT}} = 15\text{V}$ ). For slower turn-on times, simply add a small capacitor between the GATE and SRC pins. When turned off, GATE and SRC pull low and typically discharge an 800pF gate capacitance in 80 $\mu\text{s}$ .

The MAX1614 provides separate on/off control inputs ( $\overline{\text{ON}}$  and  $\overline{\text{OFF}}$ ).  $\overline{\text{ON}}$  and  $\overline{\text{OFF}}$  connect, respectively, to the  $\overline{\text{SET}}$  and  $\overline{\text{RESET}}$  inputs of an internal flip-flop. When  $\overline{\text{ON}}$  is pulsed low (with  $\overline{\text{OFF}} = \text{high}$ ), the internal charge pump turns on, and GATE is pumped to 8V above SRC, turning on the external MOSFETs. The charge pump maintains gate drive to the external MOSFETs until  $\overline{\text{OFF}}$  is pulsed low. When this happens, the internal charge pump turns off, and GATE discharges to ground through an internal switch. For slower turn-on times, simply add a small capacitor.

## Applications Information

### Connecting $\overline{\text{ON/OFF}}$ to 3V or 5V Logic

$\overline{\text{ON}}$  and  $\overline{\text{OFF}}$  internally connect to 2 $\mu\text{A}$  max pull-up current sources (Figure 1). The open-circuit voltage for  $\overline{\text{ON}}$  and  $\overline{\text{OFF}}$  ranges from 7V to 10.5V (nominally 8.5V). Since the current sources are relatively weak, connecting  $\overline{\text{ON}}$  and  $\overline{\text{OFF}}$  directly to logic powered from

lower voltages (e.g., 3V or 5V) poses no problem if the gate outputs driving these pins can sink at least 2 $\mu\text{A}$  while high.

Although the MAX1614 shutdown function was designed to operate with a single pushbutton on/off switch, it can also be driven by a single gate. Connect  $\overline{\text{ON}}$  to GND and drive  $\overline{\text{OFF}}$  directly (Figure 2).

### Maximum Switching Rate

The MAX1614 is not intended for fast switching applications. In fact, it is specifically designed to limit the rate of change of the load current,  $dI/dt$ . The maximum switching rate is limited by the turn-on time, which is a function of the charge-pump output current and the total capacitance on GATE ( $C_{\text{GATE}}$ ). Calculate the turn-on time as a function of external MOSFET gate capacitance using the Gate Charging Current vs.  $V_{\text{BATT}}$  graph in the *Typical Operating Characteristics*. Since turn-off time is small compared to turn-on time, the maximum switching rate is approximately  $1/t_{\text{ON}}$ .

### Adding Gate Capacitance

The charge pump uses an internal monolithic transfer capacitor to charge the external MOSFET gates. Normally, the external MOSFET's gate capacitance is sufficient to serve as a reservoir capacitor. If the MOSFETs are located at a significant distance from the MAX1614, place a local bypass capacitor (100pF typ) across the GATE and SRC pins. For slower turn-on times, simply add a small capacitor between GATE and SRC.

# High-Side, N-Channel MOSFET Switch Driver

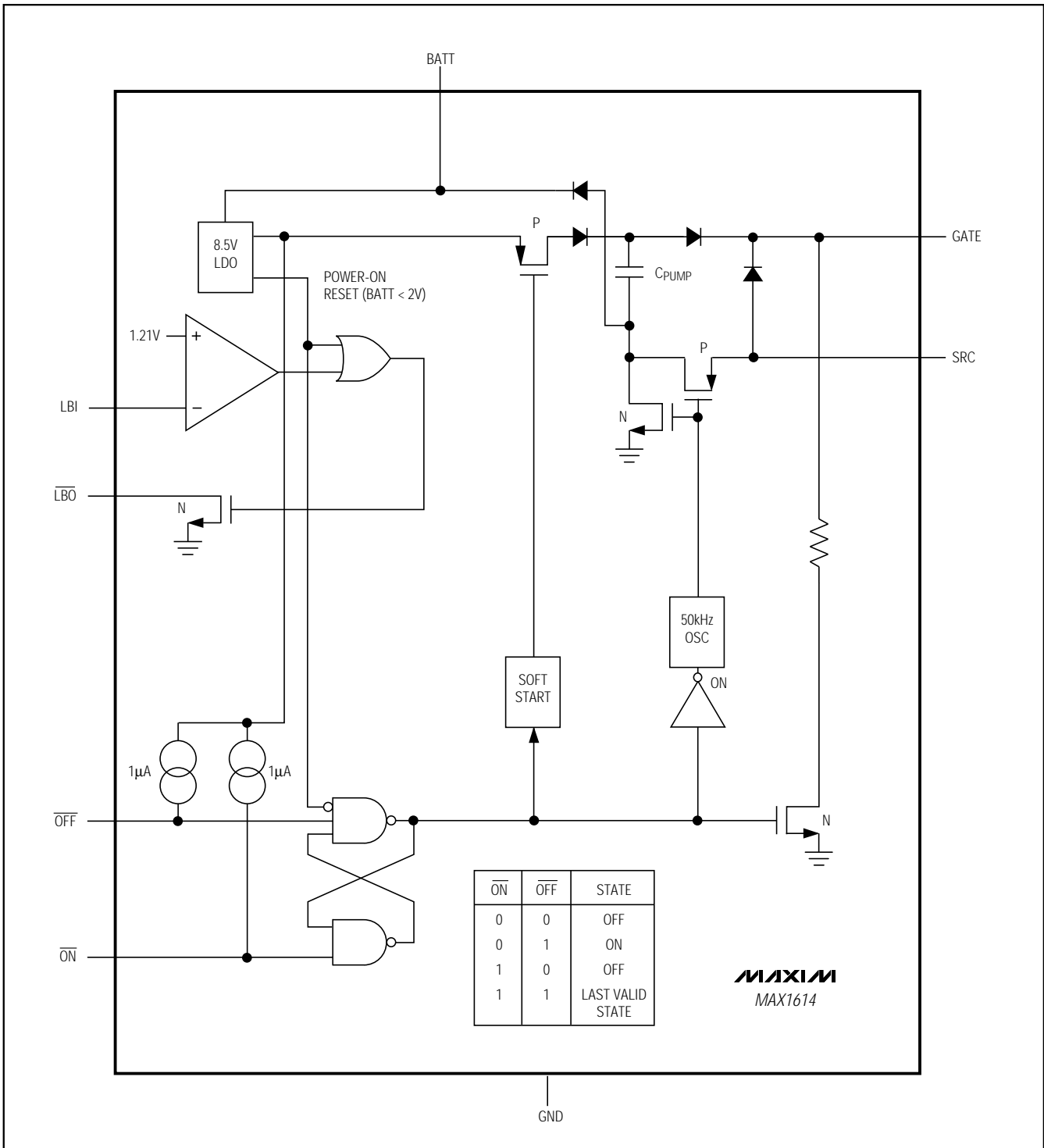


Figure 1. Functional Diagram

# High-Side, N-Channel MOSFET Switch Driver

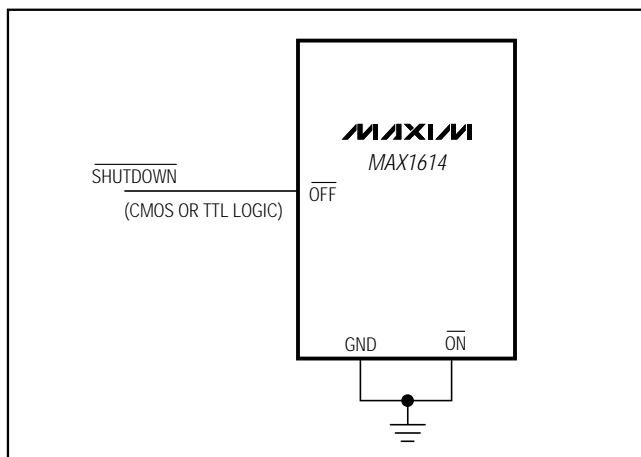


Figure 2. Single-Line Shutdown Control

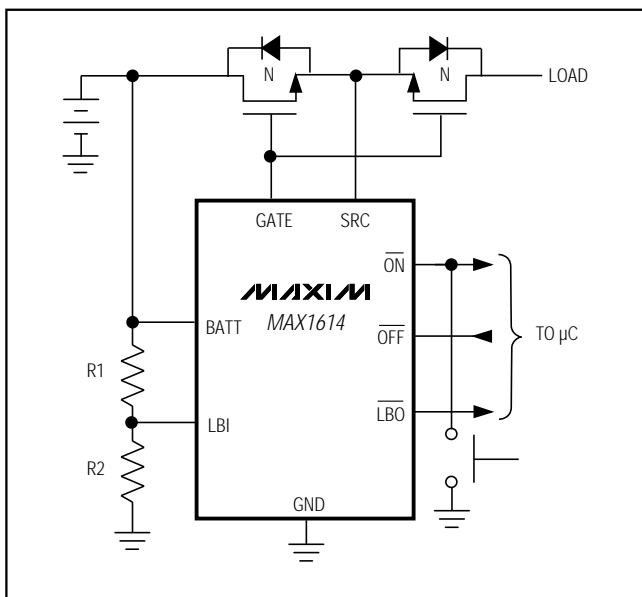


Figure 3. Single-Pushbutton On/Off Control

## On/Off Control with a Single Pushbutton Switch

The MAX1614's separate on and off inputs allow maximum flexibility in controlling the external MOSFETs. Connect a pushbutton switch to the  $\overline{\text{ON}}$  pin and microcontroller ( $\mu\text{C}$ ) I/O for single-button control. Connect the  $\overline{\text{OFF}}$  pin to another  $\mu\text{C}$  I/O pin. On the first button depression, the MAX1614 turns on automatically; the signal is also detected by the  $\mu\text{C}$ . When the button is depressed a second time, the  $\mu\text{C}$  wraps around and turns off the MAX1614 by pulling low on the  $\overline{\text{OFF}}$  pin (Figure 3).

## Simple Low-Battery Disconnect/Fresh Battery Reconnect Circuit

A simple undervoltage disconnect circuit is often desirable to prevent damage to secondary batteries due to repeated deep discharge or cell reversal. The *Typical Operating Circuit* turns off the MAX1614, disconnecting the battery from the load when the battery voltage falls below the minimum battery voltage required, ( $V_{\text{LOW BATT}}$ ).  $V_{\text{LOW BATT}} = (R1 + R2) / R2 \times V_{\text{TH}}$  where  $V_{\text{TH}}$  is the LBI input threshold (1.20V typ). When fresh cells are installed or the batteries are recharged, a  $\mu\text{C}$  or pushbutton reconnects the load.

## Using $\overline{\text{LBO}}$ to Generate Early Power-Fail Interrupt

Many applications require an early warning indicating that power is failing so that the microprocessor ( $\mu\text{P}$ ) can take care of any "housekeeping" functions (storing current settings in memory, etc.) before the power fails. Connect LBI through a resistor divider across the battery, and connect  $\overline{\text{LBO}}$  to the  $\mu\text{P}$  nonmaskable interrupt (NMI). Set the threshold so that  $\overline{\text{LBO}}$  goes low when the battery decays to a point where regulation begins to degrade (Figure 4).  $V_{\text{LOW BATT}} = (R1 + R2) / R2 \times V_{\text{TH}}$ , where  $V_{\text{TH}}$  is the LBI input threshold (1.20V typ). Once housekeeping is complete, the  $\mu\text{P}$  can turn off the load by pulling  $\overline{\text{OFF}}$  low.

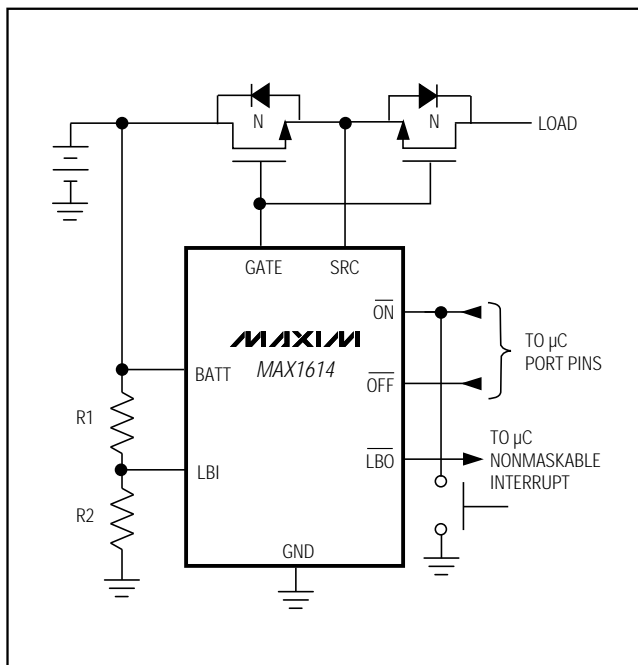


Figure 4. Using  $\overline{\text{LBO}}$  to Generate Early Power-Fail Interrupt

# High-Side, N-Channel MOSFET Switch Driver

## Increasing Low-Battery Comparator Hysteresis

The MAX1614 contains an on-chip comparator with 2% hysteresis for low-battery detection. If more than 2% hysteresis is needed on the low-battery comparator and  $\overline{\text{LBO}}$  is connected to  $\overline{\text{OFF}}$ , use the circuit in Figure 5 to add hysteresis. The circuit of Figure 5 shows  $\overline{\text{LBO}}$  controlling an N-channel MOSFET that shorts R2 to add positive feedback to the trip point. This is necessary to prevent loading down the  $1\mu\text{A}$  pull-up at  $\overline{\text{OFF}}$  (Figure 1).

## Chip Information

TRANSISTOR COUNT: 264

SUBSTRATE CONNECTED TO GND

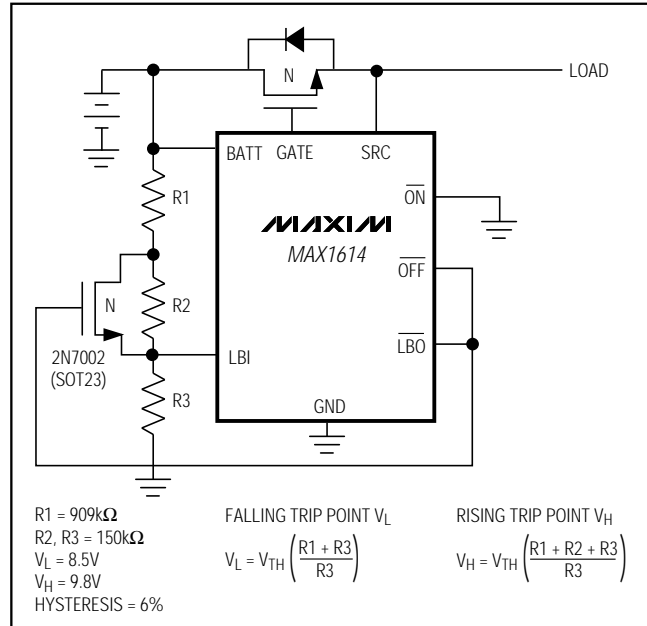


Figure 5. Increasing Hysteresis of the Battery Disconnect Circuit

## Package Information

DIM	INCHES		MILLIMETERS	
	MIN	MAX	MIN	MAX
A	0.036	0.044	0.91	1.11
A1	0.004	0.008	0.10	0.20
B	0.010	0.014	0.25	0.36
C	0.005	0.007	0.13	0.18
D	0.116	0.120	2.95	3.05
E	0.116	0.120	2.95	3.05
e	0.0256		0.65	
H	0.188	0.198	4.78	5.03
L	0.016	0.026	0.41	0.66
α	0°	6°	0°	6°

21-0036D

**8-PIN μMAX  
MICROMAX SMALL-OUTLINE  
PACKAGE**

Maxim cannot assume responsibility for use of any circuitry other than circuitry entirely embodied in a Maxim product. No circuit patent licenses are implied. Maxim reserves the right to change the circuitry and specifications without notice at any time.

8 Maxim Integrated Products, 120 San Gabriel Drive, Sunnyvale, CA 94086 (408) 737-7600