



1-Input/6-Output Video Distribution Amplifiers

MAX4135/MAX4136

General Description

The MAX4135/MAX4136 are 1-input/6-output voltage-feedback amplifiers that combine high speed with fast switching for video distribution applications. The MAX4135 is internally set for a closed-loop gain of 2V/V, while the MAX4136 can be externally set for gains of 2V/V or greater.

The MAX4135 achieves a -3dB bandwidth of 185MHz, with 0.1dB gain flatness to 40MHz. The MAX4136's -3dB bandwidth is 140MHz. Both devices deliver a 1000V/ μ s slew rate, as well as exceptional full-power bandwidths of 185MHz and 140MHz, respectively.

A 25ns channel switching time enables rapid multiplexing for picture-in-picture applications, yet maintains a high off-isolation of 75dB and all-hostile crosstalk of -50dB ($f = 30$ MHz). The MAX4135/MAX4136's on-board logic selects any combination of the six signal outputs. Each output is capable of swinging ± 2 V and delivering 65mA.

For applications that require a 1-input/4-output distribution amplifier, see the MAX4137/MAX4138 data sheet.

Selector Guide

PART	No. OF OUTPUTS	GAIN (V/V)	-3dB BANDWIDTH (MHz)
MAX4135	6	Fixed 2	185
MAX4136	6	≥ 2	140
MAX4137	4	Fixed 2	185
MAX4138	4	≥ 2	140

Applications

- Video Switching and Distribution
- High-Resolution RGB CRT Monitors
- High-Speed Analog Bus Drivers
- RF Signal Processing
- Composite Video Preamplifiers

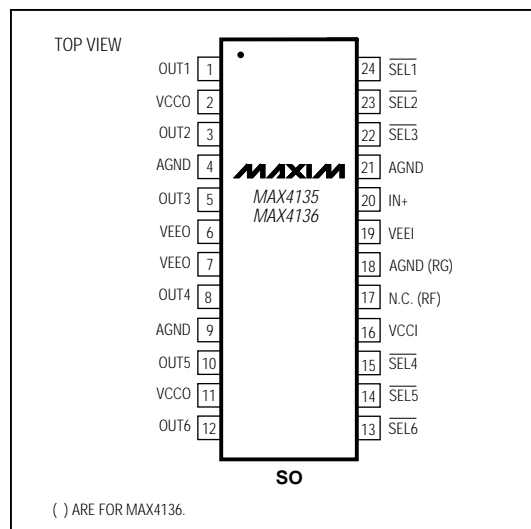
Features

- ♦ Fixed Gain of 2V/V (MAX4135)
External Gain Set (MAX4136)
- ♦ High Speed:
 - 185MHz -3dB Bandwidth (MAX4135)
 - 140MHz -3dB Bandwidth (MAX4136)
 - 1000V/ μ s Slew Rate
- ♦ High Full-Power Bandwidths ($V_{OUT} = 2V_{p-p}$):
 - 185MHz (MAX4135)
 - 140MHz (MAX4136)
- ♦ 0.1dB Gain Flatness to 40MHz
- ♦ Low Differential Gain/Phase Error: 0.10%/0.02°
- ♦ High-Impedance Output Disable

Ordering Information

PART	TEMP. RANGE	PIN-PACKAGE
MAX4135EWG	-40°C to +85°C	24 Wide SO
MAX4136EWG	-40°C to +85°C	24 Wide SO

Pin Configurations



1-Input/6-Output Video Distribution Amplifiers

ABSOLUTE MAXIMUM RATINGS

Power-Supply Voltage (V_{CC} to V_{EE}).....	12V	Operating Temperature Range	
Voltage on Any Input Pin to GND($V_{CC} + 0.3V$) to ($V_{EE} - 0.3V$)		MAX4135EWG/MAX4136EWG	-40°C to +85°C
Short-Circuit Duration to GND.....	Continuous	Storage Temperature Range	-65°C to +160°C
Continuous Power Dissipation ($T_A = +70^\circ\text{C}$)		Lead Temperature (soldering, 10sec)	+300°C
Wide SO (derate 19.3mW/°C above +70°C).....	1.54W		

Stresses beyond those listed under "Absolute Maximum Ratings" may cause permanent damage to the device. These are stress ratings only, and functional operation of the device at these or any other conditions beyond those indicated in the operational sections of the specifications is not implied. Exposure to absolute maximum rating conditions for extended periods may affect device reliability.

DC ELECTRICAL CHARACTERISTICS

($V_{CC} = +5V$, $V_{EE} = -5V$, $T_A = T_{MIN}$ to T_{MAX} , unless otherwise noted. Typical values are at $T_A = +25^\circ\text{C}$.)

PARAMETER	SYMBOL	CONDITIONS	MIN	TYP	MAX	UNITS
Input Offset Voltage	V_{OS}	$V_{OUT} = 0V$, $R_L = \infty$		1	8	mV
Input Offset Voltage Match Between Channels		$V_{OUT} = 0V$, $R_L = \infty$		1	6	mV
Input Offset Voltage Drift	TCV_{OS}	$V_{OUT} = 0V$, $R_L = 150\Omega$		30		$\mu\text{V}/^\circ\text{C}$
Input Bias Current	I_B	$V_{OUT} = 0V$, $R_L = 150\Omega$, $V_{CM} = 0V$		4.5	10	μA
Common-Mode Input Resistance	$R_{IN(CM)}$	MAX4136, either input		5		$M\Omega$
Common-Mode Input Capacitance	$C_{IN(CM)}$	MAX4136, either input		2		pF
Input Voltage Noise	e_n	$f = 1\text{MHz}$		7		$\text{nV}/\sqrt{\text{Hz}}$
		$f = 1\text{MHz to } 100\text{MHz}$		88		μV_{RMS}
Input Current Noise	i_n	$f = 1\text{MHz}$		2.4		$\text{pA}/\sqrt{\text{Hz}}$
		$f = 1\text{MHz to } 100\text{MHz}$		30		nA_{RMS}
Input Capacitance	C_{IN}			2		pF
Common-Mode Input Voltage Range	V_{CM}	MAX4136		± 2.5		V
Common-Mode Rejection Ratio	CMRR	MAX4136, $V_{CM} = \pm 2.5V$		60		dB
Power-Supply Rejection Ratio	PSRR	$V_S = \pm 4.75V$ to $\pm 5.25V$	55	65		dB
Quiescent Supply Current	I_{SY}	$V_{IN} = 0V$	All channels off	45	55	mA
			All channels on	70	80	
Output Voltage Swing	V_{OUT}	$R_L = 150\Omega$	Positive	+2.2	+2.6	V
			Negative	-2.0	-2.5	
Output Current Drive	I_{OUT}	$R_L = 30\Omega$	45	65		mA
SEL High Threshold	V_{IH}				2.0	V
SEL Low Threshold	V_{IL}		0.8			V
SEL Input Current	I_{SEL}			1	5	μA

1-Input/6-Output Video Distribution Amplifiers

AC ELECTRICAL CHARACTERISTICS

($V_{CC} = +5V$, $V_{EE} = -5V$, $A_{VCL} = 2V/V$, $T_A = T_{MIN}$ to T_{MAX} , unless otherwise noted. Typical values are at $T_A = +25^\circ C$.)

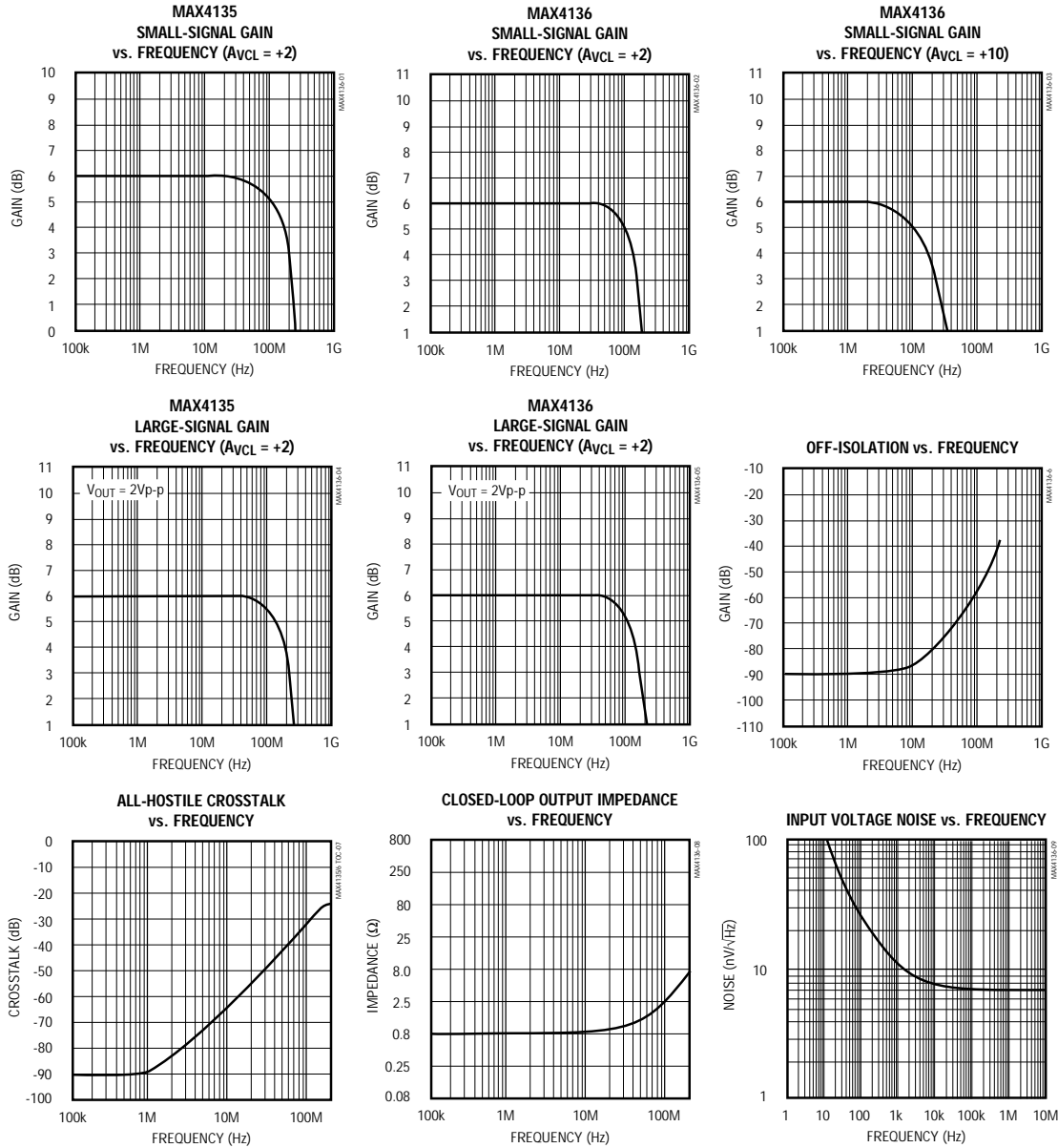
PARAMETER	SYMBOL	CONDITIONS		MIN	TYP	MAX	UNITS
-3dB Bandwidth	BW-3dB	$V_{OUT} \leq 0.1V_{RMS}$, $A_{VCL} = 2V/V$	MAX4135		185		MHz
			MAX4136		140		
Full-Power Bandwidth	FPBW	$V_{OUT} = 2V_{p-p}$, $A_{VCL} = 2V/V$	MAX4135		185		MHz
			MAX4136		140		
0.1dB Bandwidth		$A_{VCL} = 2V/V$			40		MHz
Slew Rate	SR	$-2V \leq V_{OUT} \leq 2V$			1000		V/ μs
Settling Time	t_s	$-1V \leq V_{OUT} \leq 1V$, $R_L = 150\Omega$, $A_{VCL} = 2V/V$	to 0.1%		17		ns
			to 0.01%		40		
Differential Gain	DG	$f = 3.58MHz$, $A_{VCL} = 2V/V$	MAX4135		0.10		%
			MAX4136		0.10		
Differential Phase	DP	$f = 3.58MHz$, $A_{VCL} = 2V/V$	MAX4135		0.02		degrees
			MAX4136		0.02		
All-Hostile Crosstalk		$V_{IN} = 1V_{p-p}$, $f = 30MHz$			-50		dB
Off Isolation		$V_{IN} = 1V_{p-p}$, $f = 30MHz$			75		dB
Channel Switching Off Time	t_{OFF}				25		ns
Channel Switching On Time	t_{ON}				25		ns
Digital Switching Feedthrough		$V_{IN} = 0V_{DC}$			± 1		mV
Spurious-Free Dynamic Range	SFDR	$f_C = 5MHz$, $A_{VCL} = 2V/V$, $V_{OUT} = 2V_{p-p}$, $R_L = 100\Omega$			-72		dBc
Output On-Resistance	R_{OUT}	$f = DC$, $A_{VCL} = 2V/V$			1		Ω
Output Off-Resistance	R_{OUT}	$f = DC$, $A_{VCL} = 2V/V$			200		$k\Omega$
Output On-Capacitance	$C_{OUT(ON)}$				2		pF
Output Off-Capacitance	$C_{OUT(OFF)}$				3.5		pF

MAX4135/MAX4136

1-Input/6-Output Video Distribution Amplifiers

Typical Operating Characteristics

($V_{CC} = +5V$, $V_{EE} = -5V$, $R_L = 150\Omega$, $T_A = +25^\circ C$, unless otherwise noted.)



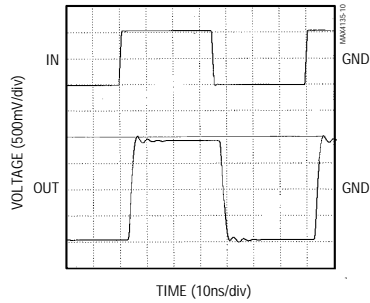
1-Input/6-Output Video Distribution Amplifiers

Typical Operating Characteristics (continued)

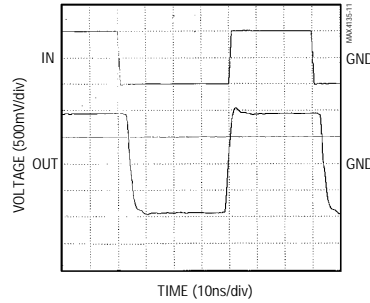
($V_{CC} = +5V$, $V_{EE} = -5V$, $R_L = 150\Omega$, $T_A = +25^\circ C$, unless otherwise noted.)

MAX4135/MAX4136

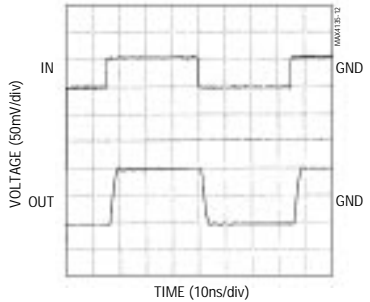
**MAX4135
LARGE-SIGNAL PULSE RESPONSE
($A_{VCL} = +2$)**



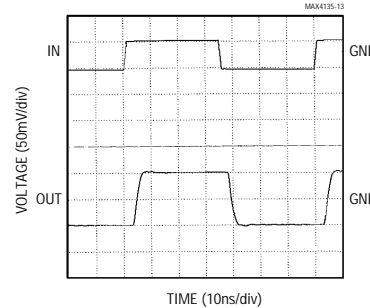
**MAX4136
LARGE-SIGNAL PULSE RESPONSE
($A_{VCL} = +2$)**



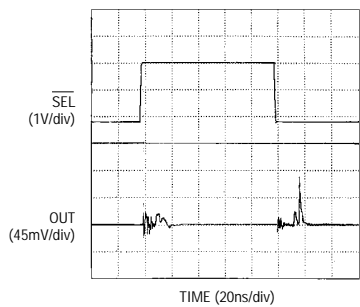
**MAX4135
SMALL-SIGNAL PULSE RESPONSE
($A_{VCL} = +2$)**



**MAX4136
SMALL-SIGNAL PULSE RESPONSE
($A_{VCL} = +2$)**



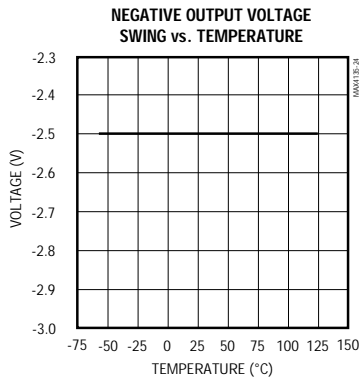
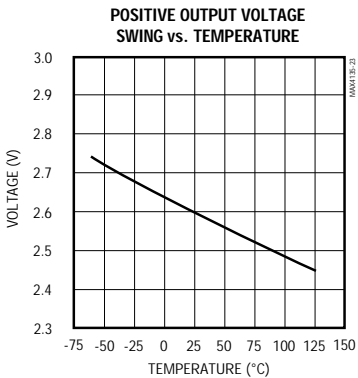
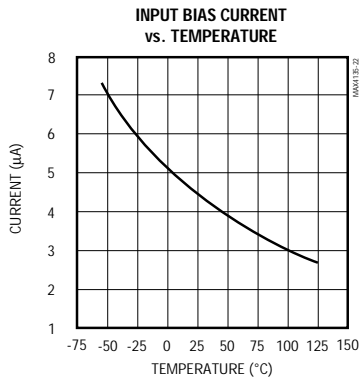
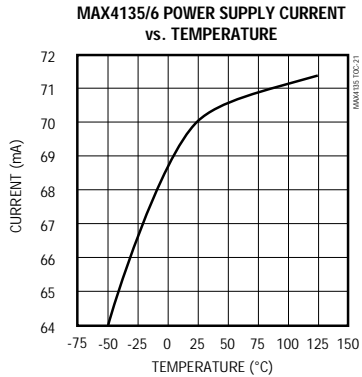
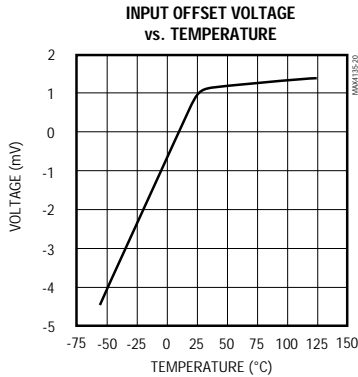
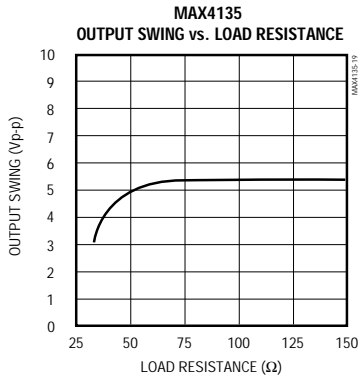
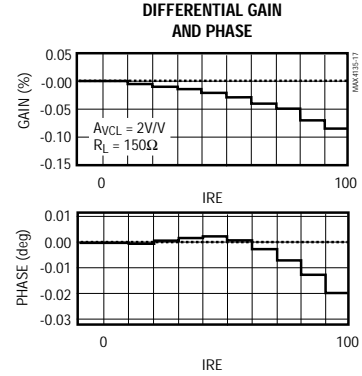
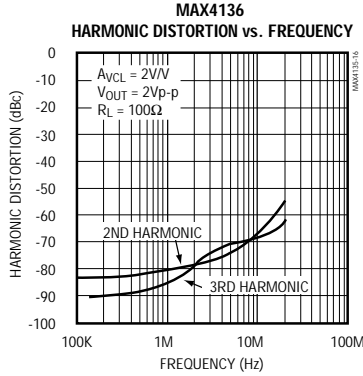
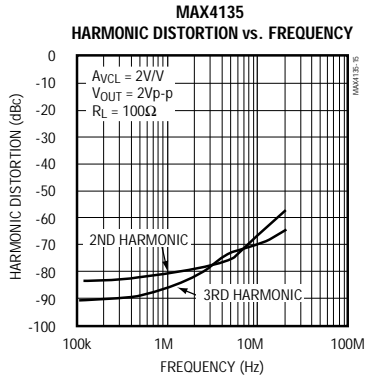
DIGITAL FEEDTHROUGH



1-Input/6-Output Video Distribution Amplifiers

Typical Operating Characteristics (continued)

($V_{CC} = +5V$, $V_{EE} = -5V$, $R_L = 150\Omega$, $T_A = +25^\circ C$, unless otherwise noted.)



1-Input/6-Output Video Distribution Amplifiers

Pin Description

MAX4135/MAX4136

PIN		NAME	FUNCTION
MAX4135	MAX4136		
1	1	OUT1	Output 1
2, 11	2, 11	VCCO	Positive Supply for Output Amplifiers. Connect to +5V.
3	3	OUT2	Output 2
4, 9, 18, 21	4, 9, 21	AGND	Analog Ground
5	5	OUT3	Output 3
6, 7	6, 7	VEEO	Negative Supply for Output Amplifiers. Connect to -5V.
8	8	OUT4	Output 4
10	10	OUT5	Output 5
12	12	OUT6	Output 6
13	13	$\overline{\text{SEL6}}$	When low, enables output channel OUT6. When high, disables output channel OUT6.
14	14	$\overline{\text{SEL5}}$	When low, enables output channel OUT5. When high, disables output channel OUT5.
15	15	$\overline{\text{SEL4}}$	When low, enables output channel OUT4. When high, disables output channel OUT4.
16	16	VCCI	Positive Supply for Input Amplifier. Connect to +5V.
17	—	N.C.	No Connect. Not internally connected.
—	17	RF	Output of Input Amplifier
—	18	RG	Inverting Input
19	19	VEEI	Negative Supply for Input Amplifier. Connect to -5V.
20	20	IN+	Noninverting Input
22	22	$\overline{\text{SEL3}}$	When low, enables output channel OUT3. When high, disables output channel OUT3.
23	23	$\overline{\text{SEL2}}$	When low, enables output channel OUT2. When high, disables output channel OUT2.
24	24	$\overline{\text{SEL1}}$	When low, enables output channel OUT1. When high, disables output channel OUT1.

Detailed Description

The MAX4135/MAX4136 are 1-input/6-output video distribution amplifiers. The MAX4135 is configured for a fixed gain of +2, while the MAX4136 features external gain control (feedback) for closed-loop gains of 2V/V or greater.

Each output provides sufficient current to drive five 150 Ω loads. However, distortion will increase when driving multiple loads. The TTL/CMOS-compatible digital control ($\overline{\text{SEL}}_n$) enables or disables each output amplifier. When the $\overline{\text{SEL}}_n$ control input is low, the amplifier is enabled; when it is high, the amplifier is disabled and presents a high-impedance output. The enable/disable

or disable/enable time is under 25ns, which is useful in multiplexing, pixel switching, or picture-in-picture applications.

Each device has an input amplifier, which buffers the input from any switching glitches that may occur at the output stage, and provides a high-impedance, low-capacitance input. The separate input buffer allows a true high output impedance when an amplifier is disabled.

The outputs are protected against short circuits to ground. However, power-dissipation limits preclude shorting all output channels to ground. See the *Power-Dissipation Considerations* section for details.

1-Input/6-Output Video Distribution Amplifiers

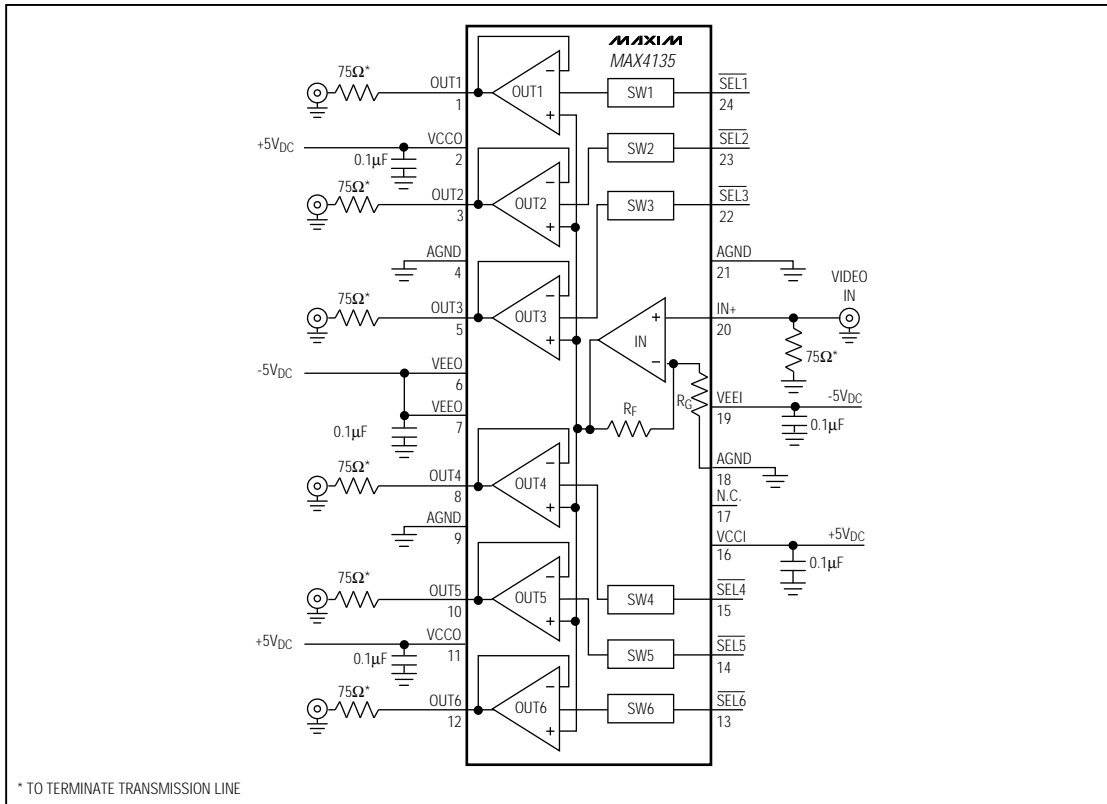


Figure 1. MAX4135 Typical Operating Circuit

Applications Information

Grounding, Bypassing, and PC Board Layout

To obtain the MAX4135/MAX4136's full 185MHz bandwidth, Microstrip and Stripline techniques are recommended in most cases. To ensure that the PC board does not degrade the amplifier's performance, design the board for a frequency greater than 1GHz. Even with very short traces, use these techniques at critical points, such as inputs and outputs. Whether you use a constant-impedance board or not, observe the following guidelines when designing the board:

- Do not use wire-wrap boards. They are too inductive.
- Do not use IC sockets. They increase parasitic capacitance and inductance.
- In general, surface-mount components have shorter leads and lower parasitic reactance, giving better high-frequency performance than through-hole components.
- The PC board should have at least two layers, with one side a signal layer and the other a ground plane.
- Keep signal lines as short and straight as possible. Do not make 90° turns; round all corners.
- The ground plane should be as free from voids as possible.

1-Input/6-Output Video Distribution Amplifiers

MAX4135/MAX4136

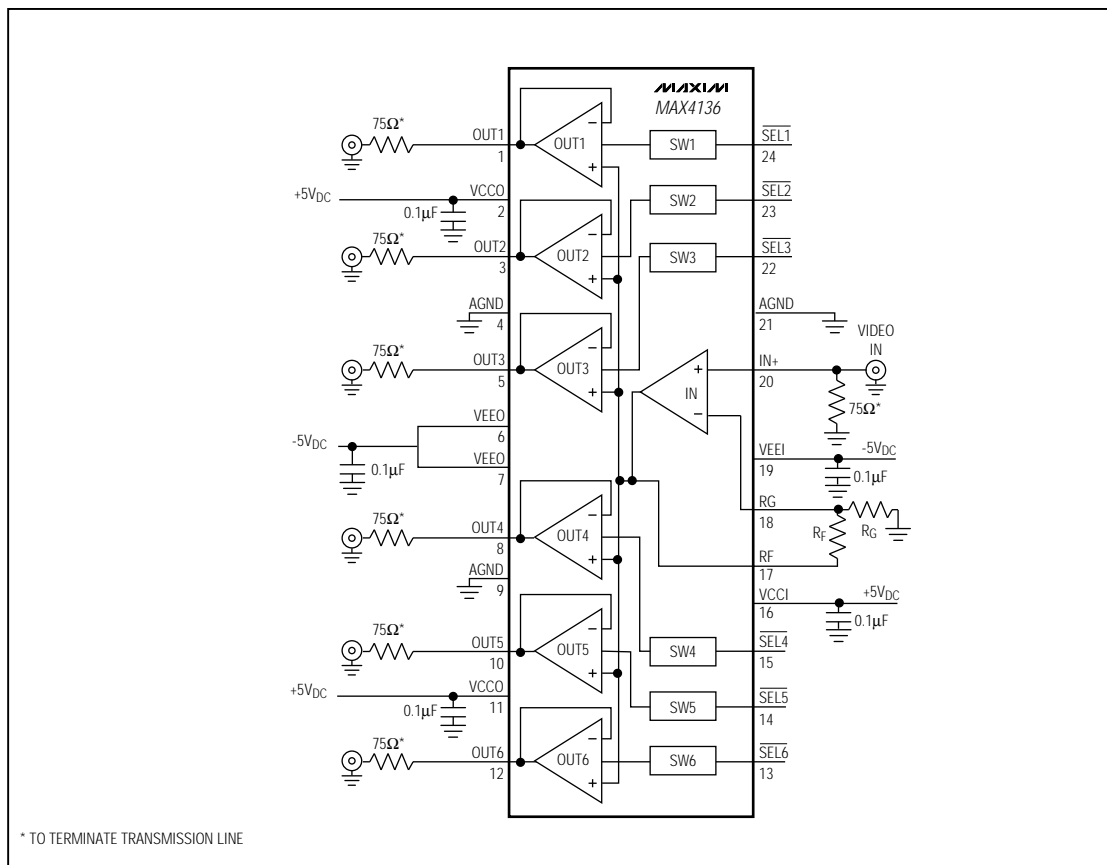


Figure 2. MAX4136 Typical Operating Circuit

Driving Capacitive Loads

The MAX4135/MAX4136 provide maximum AC performance with no output load capacitance. This is the case when they are driving a correctly terminated transmission line (i.e., a back-terminated 75Ω cable). However, the MAX4135/MAX4136 are capable of driving capacitive loads up to 10pF without oscillations, but with reduced AC performance.

Driving large capacitive loads increases the chance of oscillations in most amplifier circuits. This is especially true for circuits with high loop gain, such as voltage followers. The amplifier's output resistance and the load capacitor combine to add a pole and excess phase to

the loop response. If the frequency of this pole is low enough and phase margin is degraded sufficiently, oscillations may occur.

A second problem when driving capacitive loads results from the amplifier's output impedance, which looks inductive at high frequencies. This inductance forms an L-C resonant circuit with the capacitive load, which causes peaking in the frequency response and degrades the amplifier's gain margin.

The MAX4135/MAX4136 drive capacitive loads up to 10pF without oscillation. However, some peaking (in the frequency domain) or ringing (in the time domain) may occur (Figure 3).

1-Input/6-Output Video Distribution Amplifiers

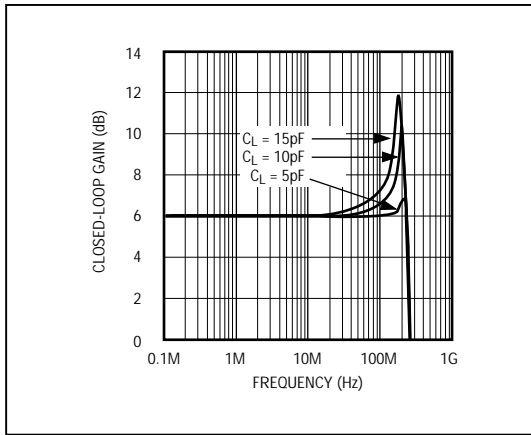


Figure 3. Effect of C_{LOAD} on Frequency Response (without R_{ISO})

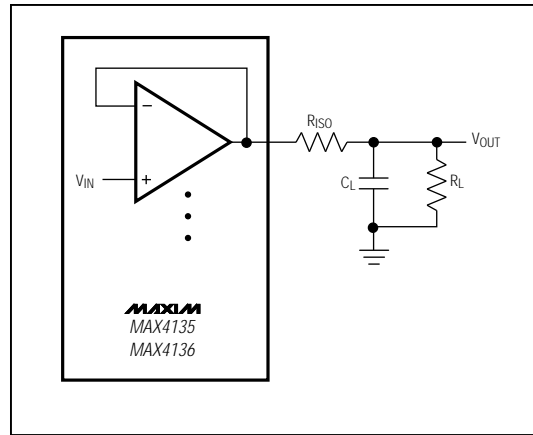


Figure 4. Capacitive-Load Driving Circuit

To drive larger-capacitance loads or to reduce ringing, add an isolation resistor between the amplifier's output and the load, as shown in Figure 4.

The value of R_{ISO} depends on the circuit's gain and the capacitive load. Figure 5 shows the optimal isolation resistor (R_{ISO}) vs. capacitive load (C_L). At the higher capacitor values, the bandwidth is dominated by the RC network, formed by R_{ISO} and C_L .

Power-Dissipation Considerations

The MAX4135/MAX4136 can drive up to six outputs simultaneously. Quiescent power dissipation is typically 750mW and 800mW maximum, respectively, with all channels enabled. The maximum package power dissipation is rated at 1540mW.

In a typical application, six outputs drive a standard video signal into a 150 Ω load. The amount of power added to the quiescent dissipation is minimal and no special precautions are necessary.

However, each output driving the maximum 65mA into 30 Ω will cause a power-dissipation increase of approximately 200mW. Therefore, you should not allow more than three outputs to deliver that load simultaneously. Similarly, one output shorted to ground will cause a power-dissipation increase of 650mW. Only one output can be shorted to ground without violating the package power rating.

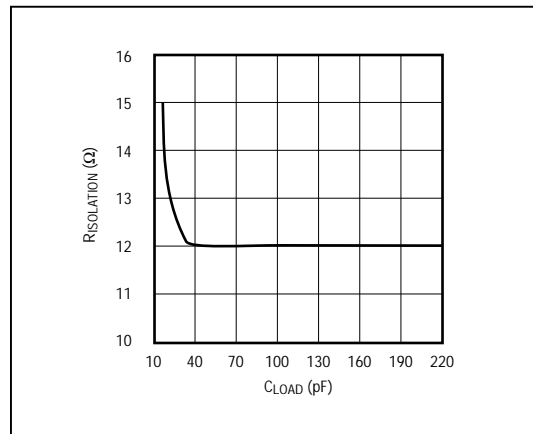


Figure 5. Optimal Isolation Resistor (R_{ISO}) vs. C_{LOAD}

In conclusion, during normal operation in a matched-load environment, the total power dissipation is well within the package's dissipation rating. The maximum power dissipation is violated only if multiple channels are driving the maximum current into minimum loads at the same time.

1-Input/6-Output Video Distribution Amplifiers

MAX4135/MAX4136

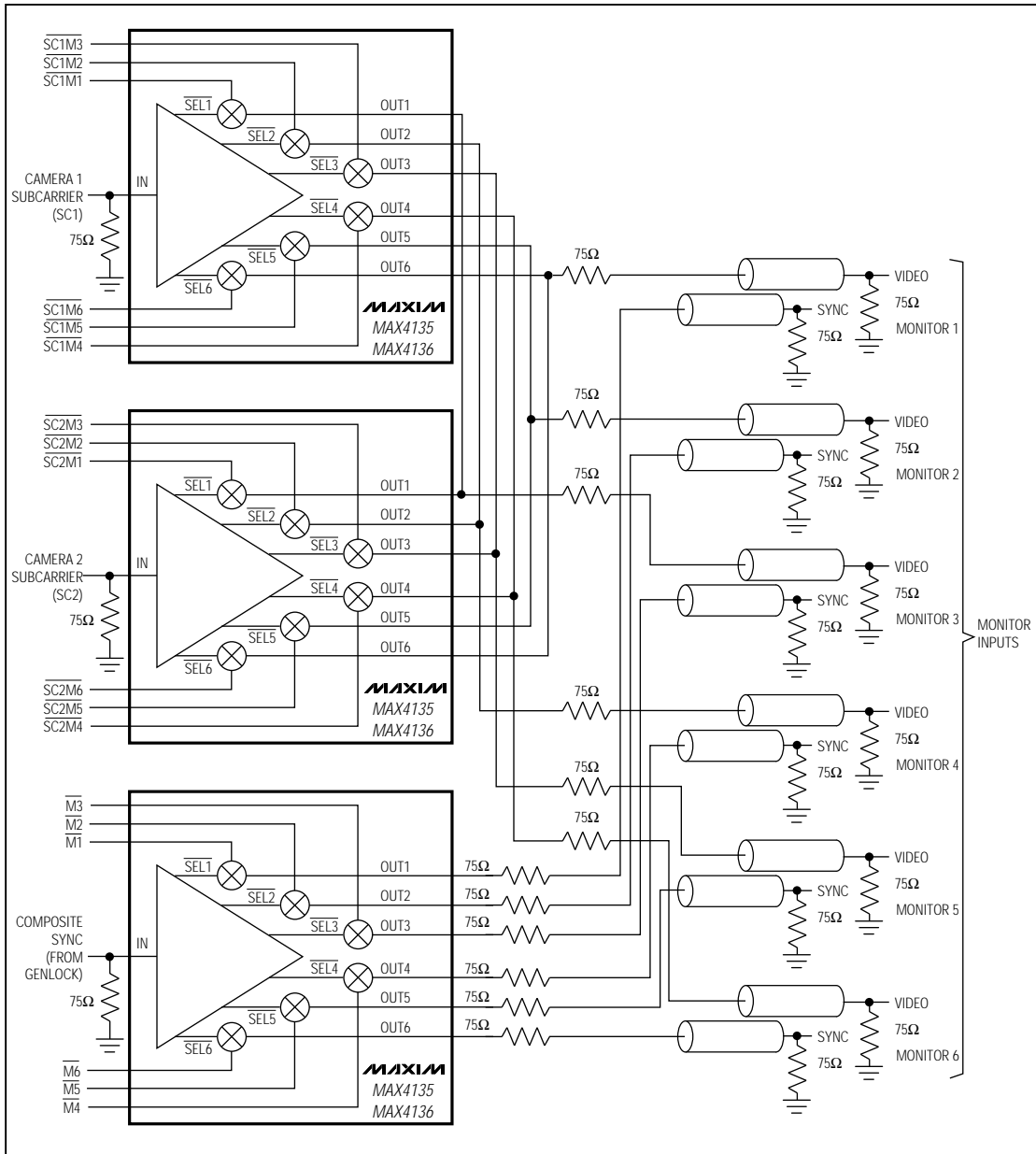


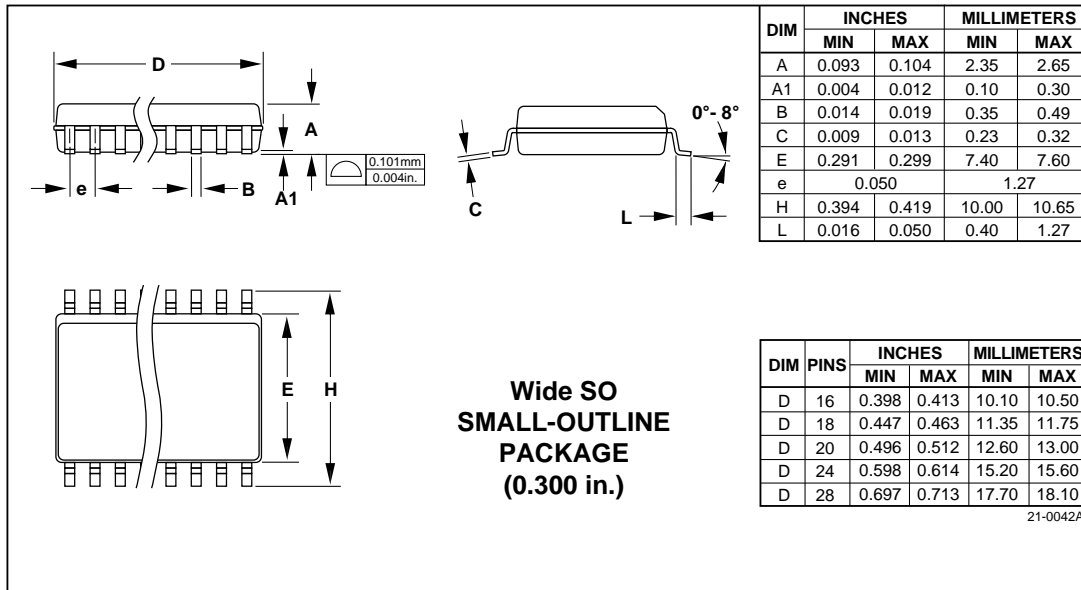
Figure 6. Two Cameras to Six Monitors Distribution Amplifier

1-Input/6-Output Video Distribution Amplifiers

Chip Information

TRANSISTOR COUNT: 901
SUBSTRATE CONNECTED TO V_{EE}

Package Information



Maxim cannot assume responsibility for use of any circuitry other than circuitry entirely embodied in a Maxim product. No circuit patent licenses are implied. Maxim reserves the right to change the circuitry and specifications without notice at any time.

12 Maxim Integrated Products, 120 San Gabriel Drive, Sunnyvale, CA 94086 (408) 737-7600