



Low-Voltage, Quad, SPST CMOS Analog Switches

MAX4610/MAX4611/MAX4612

General Description

The MAX4610/MAX4611/MAX4612 are quad, low-voltage, single-pole/single-throw (SPST) analog switches. On-resistance (100Ω, max) is matched between switches to 4Ω, max and is flat (4Ω, max) over the specified signal range. Each switch handles V+ to GND analog signal levels. Maximum off-leakage current is only 1nA at T_A = +25°C and 2nA at T_A = +85°C.

The MAX4610 has four normally open (NO) switches, and the MAX4611 has four normally closed (NC) switches. The MAX4612 has two NO switches and two NC switches. These CMOS switches operate from a single +2V to +12V supply. All digital inputs have +0.8V and +2.4V logic thresholds, ensuring TTL/CMOS-logic compatibility when using a single +5V supply.

Features

- ◆ Offered in Automotive Temperature Range (-40°C to +125°C)
- ◆ Guaranteed On-Resistance
100Ω max (5V Supply)
46Ω max (12V Supply)
- ◆ Guaranteed Match Between Channels (4Ω, max)
- ◆ Guaranteed Flatness Over Signal Range (18Ω, max)
- ◆ Off-Leakage Current Over Temperature <2nA at T_A = +85°C
- ◆ >2kV ESD Protection per Method 3015.7
- ◆ Rail-to-Rail® Signal Handling
- ◆ TTL/CMOS-Logic Compatible

Applications

- Battery-Operated Equipment
- Audio/Video Signal Routing
- Low-Voltage Data-Acquisition Systems
- Sample-and-Hold Circuits
- Communication Circuits

Ordering Information

| PART | TEMP RANGE | PIN-PACKAGE |
|------------|-----------------|----------------|
| MAX4610CUD | 0°C to +70°C | 14 TSSOP |
| MAX4610CSD | 0°C to +70°C | 14 Narrow SO |
| MAX4610CPD | 0°C to +70°C | 14 Plastic DIP |
| MAX4610C/D | 0°C to +70°C | Dice* |
| MAX4610EGE | -40°C to +85°C | 16 QFN |
| MAX4610EUD | -40°C to +85°C | 14 TSSOP |
| MAX4610ESD | -40°C to +85°C | 14 Narrow SO |
| MAX4610EPD | -40°C to +125°C | 14 Plastic DIP |

Ordering Information continued at end of data sheet.

*Contact factory for dice specifications.

Pin Configurations/Truth Tables

TOP VIEW

MAXIM
MAX4610

TSSOP/SO/DIP

| INPUT | SWITCH STATE |
|-------|--------------|
| LOW | OFF |
| HIGH | ON |

MAXIM
MAX4610

QFN

MAX4611/MAX4612 Pin Configurations/Truth Tables appear at end of data sheet.

Rail-to-Rail is a registered trademark of Nippon Motorola, Ltd.



For pricing, delivery, and ordering information, please contact Maxim/Dallas Direct! at 1-888-629-4642, or visit Maxim's website at www.maxim-ic.com.

Low-Voltage, Quad, SPST CMOS Analog Switches

ABSOLUTE MAXIMUM RATINGS

(Voltages referenced to GND)

| | |
|--|---------------------|
| V+ | -0.3V to +13V |
| IN_, COM_, NO_, NC_ (Note 1) | -0.3V to (V+ +0.3V) |
| Continuous Current (any terminal) (pulsed at 1ms, 10% duty cycle) | 20mA |
| Peak Current (any terminal) (pulsed at 1ms, 10% duty cycle) | 40mA |
| ESD per Method 3015.7 | >2kV |

Continuous Power Dissipation (TA = +70°C)

| | |
|--|-----------------|
| 14-Pin TSSOP (derate 6.3mW/°C above +70°C) | 500mW |
| 14-Pin Narrow SO (derate 8.00mW/°C above +70°C) | 640mW |
| 14-Pin Plastic DIP (derate 10.00mW/°C above +70°C) | 800mW |
| 16-Pin QFN (derate 18.5mW/°C above +70°C) | 1481mW |
| Operating Temperature Ranges | |
| MAX461_C_ | 0°C to +70°C |
| MAX461_E_ | -40°C to +85°C |
| MAX461_A_ | -40°C to +125°C |
| Storage Temperature Range | -65°C to +160°C |
| Lead Temperature (soldering, 10s) | +300°C |

Note 1: Signals on NO_, NC_, COM_, or IN_ exceeding V+ or GND are clamped by internal diodes. Limit forward-diode current to maximum current rating.

Stresses beyond those listed under "Absolute Maximum Ratings" may cause permanent damage to the device. These are stress ratings only, and functional operation of the device at these or any other conditions beyond those indicated in the operational sections of the specifications is not implied. Exposure to absolute maximum rating conditions for extended periods may affect device reliability.

ELECTRICAL CHARACTERISTICS—Single +5V Supply

(V+ = +5V ±10%, VIN_H = 2.4V, VIN_L = 0.8V, TA = TMIN to TMAX, unless otherwise noted.)

| PARAMETER | SYMBOL | CONDITIONS | MIN | TYP (Note 2) | MAX | UNITS |
|--|-------------------------|---|----------------------|-----------------|-----|-------|
| ANALOG SWITCH | | | | | | |
| Analog Signal Range (Note 3) | VCOM_, VNO_, VNC_ | | 0 | | V+ | V |
| On-Resistance | RON | V+ = 4.5V, ICOM_ = 1mA, VNO_ = VNC_ = 3V | TA = +25°C | 70 | 100 | Ω |
| | | | TA = TMIN to TMAX | | 150 | |
| On-Resistance Match Between Channels (Note 4) | ΔRON | V+ = 4.5V, ICOM_ = 1mA, VNO_ = VNC_ = 3V | TA = +25°C | 1.0 | 4 | Ω |
| | | | TA = TMIN to TMAX | | 8 | |
| On-Resistance Flatness (Note 5) | RFLAT(ON) | V+ = 4.5V; ICOM_ = 1mA; VNO_ = VNC_ = 3V, 2V, 1V | TA = +25°C | 12 | 18 | Ω |
| | | | TA = TMIN to TMAX | | 25 | |
| NO or NC Off-Leakage Current (Note 6) | INO(OFF) | V+ = 5.5V; VCOM_ = 1V, 4.5V; VNO_ = 4.5V, 1V | TA = +25°C | -0.1 | 0.1 | nA |
| | | | TA = -40°C to +85°C | -2 | 2 | |
| | | | TA = -40°C to +125°C | -30 | 30 | |
| COM Off-Leakage Current (Note 6) | ICOM(OFF) | V+ = 5.5V; VCOM_ = 1V, 4.5V; VNO_ = VNC_ = 4.5V, 1V | TA = +25°C | -0.1 | 0.1 | nA |
| | | | TA = -40°C to +85°C | -2 | 2 | |
| | | | TA = -40°C to +125°C | -30 | 30 | |
| COM On-Leakage Current (Note 6) | ICOM(ON) | V+ = 5.5V; VCOM_ = 1V, 4.5V; VNO_ = VNC_ = 1V, 4.5V, or floating | TA = +25°C | -0.2 | 0.2 | nA |
| | | | TA = -40°C to +85°C | -4 | 4 | |
| | | | TA = -40°C to +125°C | -30 | 30 | |

Low-Voltage, Quad, SPST CMOS Analog Switches

MAX4610/MAX4611/MAX4612

ELECTRICAL CHARACTERISTICS—Single +5V Supply (continued)

(V+ = +5V ±10%, V_{IN_H} = 2.4V, V_{IN_L} = 0.8V, T_A = T_{MIN} to T_{MAX}, unless otherwise noted.)

| PARAMETER | SYMBOL | CONDITIONS | MIN | TYP (Note 2) | MAX | UNITS | |
|---------------------------------------|-----------------------|--|---|-----------------|-------|-------|----|
| LOGIC INPUT | | | | | | | |
| Input Current with Input Voltage High | I _{IN_H} | V _{IN_} = 2.4V, all others = 0.8V | -0.1 | 0.001 | 0.1 | μA | |
| Input Current with Input Voltage Low | I _{IN_L} | V _{IN_} = 0.8V, all others = 2.4V | -0.1 | 0.001 | 0.1 | μA | |
| Input High Voltage | V _{IN_H} | | 2.4 | 1.5 | | V | |
| Input Low Voltage | V _{IN_L} | | | 1.4 | 0.8 | V | |
| DYNAMIC (Note 3) | | | | | | | |
| Turn-On Time | t _{ON} | V _{COM_} = 3V, Figure 2 | T _A = +25°C | | | ns | |
| | | | T _A = T _{MIN} to T _{MAX} | | | | |
| Turn-Off Time | t _{OFF} | V _{COM_} = 3V, Figure 2 | T _A = +25°C | | | ns | |
| | | | T _A = T _{MIN} to T _{MAX} | | | | |
| On-Channel Bandwidth | BW | Signal = 0dBm, Figure 4, 50Ω in and out | T _A = +25°C | | 300 | MHz | |
| Charge Injection | V _{CTE} | C _L = 1.0nF, V _{GEN} = 0, R _{GEN} = 0, Figure 3 | T _A = +25°C | | 1 | 5 | pC |
| Off-Isolation (Note 7) | V _{ISO} | R _L = 50Ω, C _L = 5pF, f = 1MHz, Figure 4 | T _A = +25°C | | -60 | | dB |
| Crosstalk (Note 8) | V _{CT} | R _L = 50Ω, C _L = 5pF, f = 1MHz, Figure 5 | T _A = +25°C | | -80 | | dB |
| NO_ or NC_ Capacitance | C _(OFF) | f = 1MHz, Figure 6 | T _A = +25°C | | 16 | | pF |
| COM_ Off-Capacitance | C _{COM(OFF)} | f = 1MHz, Figure 6 | T _A = +25°C | | 16 | | pF |
| COM_ On-Capacitance | C _{COM(ON)} | f = 1MHz, Figure 6 | T _A = +25°C | | 23 | | pF |
| Total Harmonic Distortion | THD | 600Ω IN and OUT, 20Hz to 20kHz, 2Vp-p | T _A = +25°C | | 0.009 | | % |
| SUPPLY | | | | | | | |
| Power-Supply Range | | | 2 | | 12 | V | |
| Supply Current | I+ | V _{IN} = 0 or V+, all switches on or off | -1 | 0.001 | 1 | μA | |

Low-Voltage, Quad, SPST CMOS Analog Switches

ELECTRICAL CHARACTERISTICS—Single +3V Supply

(V+ = +3V, V_{IN_H} = 2.4V, V_{IN_L} = 0.5V, T_A = T_{MIN} to T_{MAX}, unless otherwise noted.)

| PARAMETER | SYMBOL | CONDITIONS | | MIN | TYP (Note 2) | MAX | UNITS |
|--|---|---|---|------|-----------------|-----|-------|
| ANALOG SWITCH | | | | | | | |
| Analog Signal Range (Note 3) | V _{COM_} , V _{NO_} , V _{NC_} | | | 0 | | V+ | V |
| On-Resistance | R _{ON} | V+ = 2.7V, I _{COM_} = 1mA, V _{NO_} = V _{NC_} = 1V | T _A = +25°C | 175 | 360 | | Ω |
| | | | T _A = T _{MIN} to T _{MAX} | | 450 | | |
| On-Resistance Match Between Channels (Note 4) | ΔR _{ON} | V+ = 2.7V, I _{COM_} = 1mA, V _{NO_} = V _{NC_} = 1V | T _A = +25°C | 2 | 5 | | Ω |
| | | | T _A = T _{MIN} to T _{MAX} | | 10 | | |
| NO_ or NC_ Off-Leakage Current (Notes 3, 6) | I _{NO(OFF)} | V+ = 3.6V, V _{COM_} = 0.5V, 3V; V _{NO_} = V _{NC_} = 3V, 0.5V | T _A = +25°C | -0.1 | 0.1 | | nA |
| | | | T _A = -40°C to +85°C | -2 | 2 | | |
| | | | T _A = -40°C to +125°C | -30 | 30 | | |
| COM_ Off-Leakage Current (Notes 3, 6) | I _{COM(OFF)} | V+ = 3.6V, V _{COM_} = 0.5V, 3V; V _{NO_} = V _{NC_} = 3V, 0.5V | T _A = +25°C | -0.1 | 0.1 | | nA |
| | | | T _A = -40°C to +85°C | -2 | 2 | | |
| | | | T _A = -40°C to +125°C | -30 | 30 | | |
| COM_ On-Leakage Current (Notes 3, 6) | I _{COM(ON)} | V+ = 3.6V, V _{COM_} = 0.5V, 3V; V _{NO_} = V _{NC_} = 0.5V, 3V, or floating | T _A = +25°C | -0.2 | 0.2 | | nA |
| | | | T _A = -40°C to +85°C | -4 | 4 | | |
| | | | T _A = -40°C to +125°C | -30 | 30 | | |
| LOGIC INPUTS | | | | | | | |
| Input High Voltage | V _{IN_H} | | | 2.4 | 1.0 | | V |
| Input Low Voltage | V _{IN_L} | | | | 1.0 | 0.5 | V |
| DYNAMIC (Note 3) | | | | | | | |
| Turn-On Time | t _{ON} | V _{COM_} = 1.5V, Figure 2 | T _A = +25°C | 50 | 90 | | ns |
| | | | T _A = -40°C to +85°C | | 120 | | |
| | | | T _A = -40°C to +125°C | | 140 | | |
| Turn-Off Time | t _{OFF} | V _{COM_} = 1.5V, Figure 2 | T _A = +25°C | 30 | 45 | | ns |
| | | | T _A = T _{MIN} to T _{MAX} | | 60 | | |

Low-Voltage, Quad, SPST CMOS Analog Switches

MAX4610/MAX4611/MAX4612

ELECTRICAL CHARACTERISTICS—Single +12V Supply

(V+ = +12V, VIN_H = 4V, VIN_L = 0.8V, TA = TMIN to TMAX, unless otherwise noted.)

| PARAMETER | SYMBOL | CONDITIONS | | MIN | TYP (Note 2) | MAX | UNITS |
|---------------------------------|-------------------------|---|-------------------|-----|-----------------|-----|-------|
| ANALOG SWITCH | | | | | | | |
| Analog Signal Range (Note 3) | VCOM_, VNO_, VNC_ | | | 0 | | V+ | V |
| On-Resistance | RON | V+ = 12V, ICOM = 2mA, VNO_ = VNC_ = 10V | TA = +25°C | 30 | 45 | | Ω |
| | | | TA = TMIN to TMAX | | 60 | | |
| LOGIC INPUTS | | | | | | | |
| Input High Voltage | VIN_H | | | 4.0 | 2.8 | | V |
| Input Low Voltage | VIN_L | | | | 2.5 | 0.8 | V |
| SUPPLY | | | | | | | |
| Positive Supply Current | I+ | VIN_ = 0 or V+, all switches on or off | | -1 | 0.001 | 1 | μA |

Note 2: The algebraic convention, where the most negative value is a minimum and the most positive value a maximum, is used in this data sheet.

Note 3: Guaranteed by design.

Note 4: $\Delta R_{ON} = R_{ON}(\text{max}) - R_{ON}(\text{min})$.

Note 5: Flatness is defined as the difference between the maximum and minimum value of on-resistance as measured over the specified analog signal range.

Note 6: Leakage parameters are 100% tested at maximum-rated hot temperature and guaranteed by correlation at +25°C.

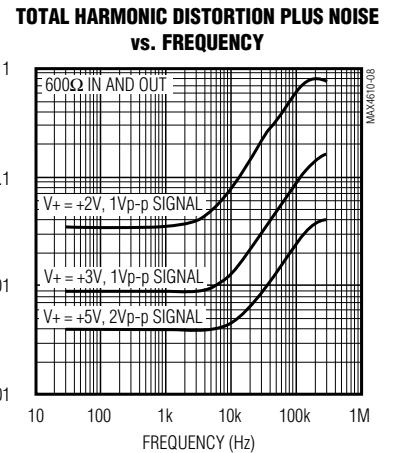
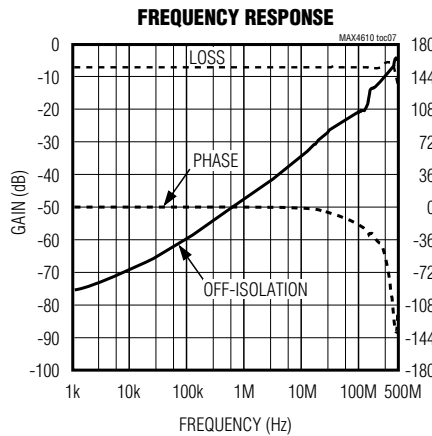
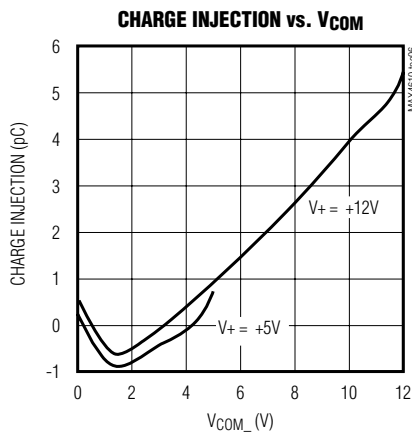
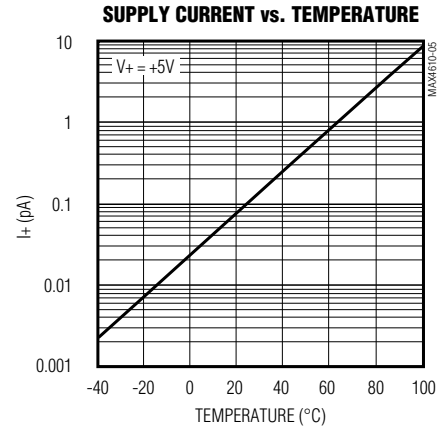
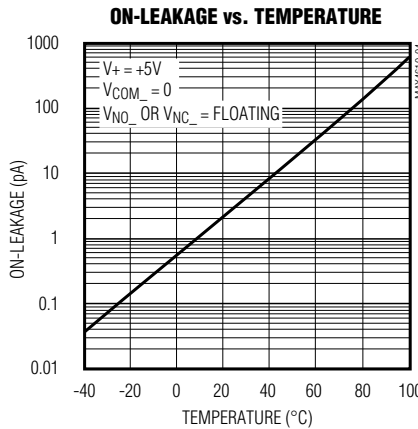
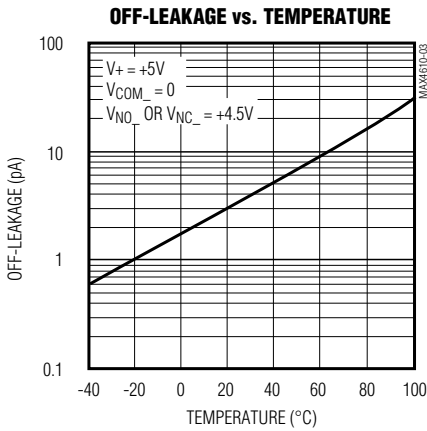
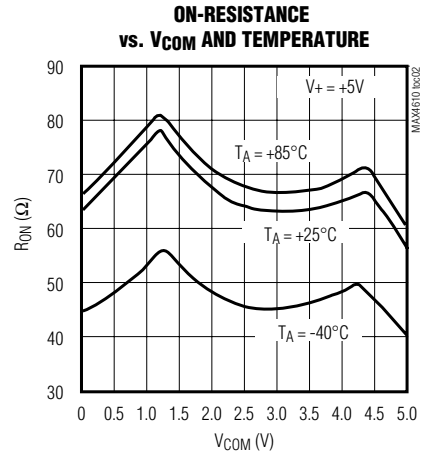
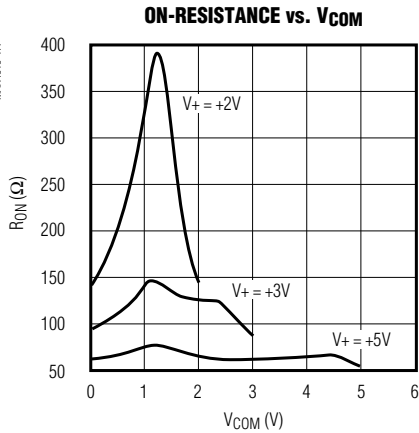
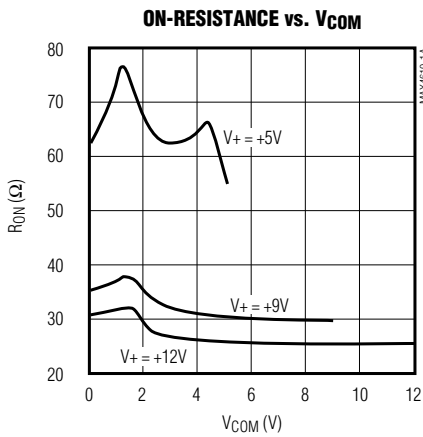
Note 7: Off-Isolation = $20\log_{10}(V_{COM_} / V_{NO_})$, VCOM_ = output, VNO_ = input to off switch.

Note 8: Between any two switches.

Low-Voltage, Quad, SPST CMOS Analog Switches

Typical Operating Characteristics

($T_A = +25^\circ\text{C}$, unless otherwise noted.)



Low-Voltage, Quad, SPST CMOS Analog Switches

Pin Description

MAX4610/MAX4611/MAX4612

| PIN | | | | | | NAME | FUNCTION |
|---------------|--------------|--------------|--------------|--------------|--------------|-----------|--|
| MAX4610 | | MAX4611 | | MAX4612 | | | |
| TSSOP/SO/ DIP | QFN | TSSOP/SO/DIP | QFN | TSSOP/SO/DIP | QFN | | |
| 1, 3, 8, 11 | 1, 3, 8, 11 | — | — | — | — | NO1–NO4 | Analog Switch Normally Open Terminals |
| — | — | 1, 3, 8, 11 | 1, 3, 8, 11 | — | — | NC1–NC4 | Analog Switch Normally Closed Terminals |
| — | — | — | — | 1, 8 | 1, 8 | NO1, NO3 | Analog Switch Normally Open Terminals |
| — | — | — | — | 3, 11 | 3, 11 | NC2, NC4 | Analog Switch Normally Closed Terminals |
| 2, 4, 9, 10 | 2, 4, 9, 10 | 2, 4, 9, 10 | 2, 4, 9, 10 | 2, 4, 9, 10 | 2, 4, 9, 10 | COM1–COM4 | Analog Switch Common Terminals |
| 13, 5, 6, 12 | 14, 5, 6, 13 | 13, 5, 6, 12 | 14, 5, 6, 13 | 13, 5, 6, 12 | 14, 5, 6, 13 | IN1–IN4 | Logic-Control Digital Input |
| 7 | 7 | 7 | 7 | 7 | 7 | GND | Ground. Connect to digital ground. |
| — | 12, 15 | — | 12, 15 | — | 12, 15 | N.C. | No Connection. Not internally connected. |
| 14 | 16 | 14 | 16 | 14 | 16 | V+ | Positive Analog and Digital-Supply Voltage Input. Internally connected to substrate. |

Applications Information

Power-Supply Sequencing and Overvoltage Protection

Do not exceed the absolute maximum ratings, because stresses beyond the listed ratings may cause permanent damage to the devices.

Proper power-supply sequencing is recommended for all CMOS devices. Always apply V+ before applying analog signals or logic inputs, especially if the analog or logic signals are not current limited. If this sequencing is not possible, and if the analog or logic inputs are not current limited to 20mA, add a small-signal diode (D1) as shown in Figure 1. If the analog signal can dip below GND, add D2. Adding protection diodes reduces the analog signal range to a diode drop (about 0.7V) below V+ (for D1), and to a diode drop above ground (for D2). Leakage is unaffected by adding the diodes. On-resistance increases by a small amount at low supply voltages. Maximum supply voltage (V+) must not exceed 13V.

Adding protection diodes causes the logic thresholds to be shifted relative to the power-supply rails. This can

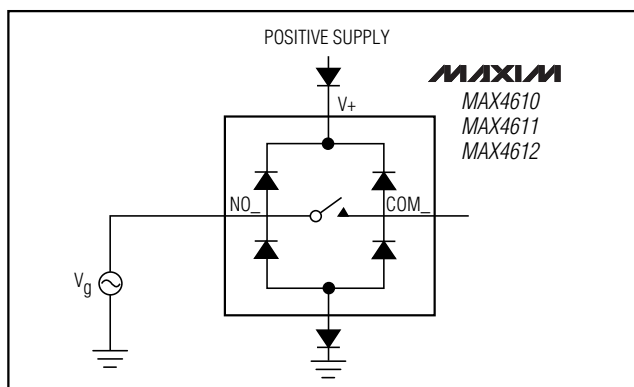


Figure 1. Overvoltage Protection Using Two External Blocking Diodes

be significant when low supply voltages (+5V or less) are used. With a +5V supply, TTL compatibility is not guaranteed when protection diodes are added. Driving IN1 and IN2 all the way to the supply rails (i.e., to a diode drop higher than the V+ pin, or to a diode drop lower than the GND pin) is always acceptable.

Low-Voltage, Quad, SPST CMOS Analog Switches

Protection diodes D1 and D2 also protect against some overvoltage situations. With Figure 1's circuit, if the supply voltage is below the absolute maximum rating, and if a fault voltage up to the absolute maximum rating is applied to an analog signal pin, no damage will result.

Operating Considerations for High-Voltage Supply

The MAX4610/MAX4611/MAX4612 are pin-compatible with the industry-standard 74HC4066 and the MAX4066, and are optimized for +5V single-supply operation. The MAX4610 family is capable of +12V sin-

gle-supply operation with some precautions. The absolute maximum rating for V+ is +13.2V (referenced to GND). When operating near this region, bypass V+ with a minimum 0.1µF capacitor to ground as close to the IC as possible.

Caution: The absolute maximum V+ to V- differential voltage is 13.0V. Typical ±6V or 12V supplies with ±10% tolerances can be as high as 13.2V. This voltage can damage the MAX4610/MAX4611/MAX4612. Even ±5% tolerance supplies may have overshoot or noise spikes that exceed 13.0V.

Test Circuits/Timing Diagrams

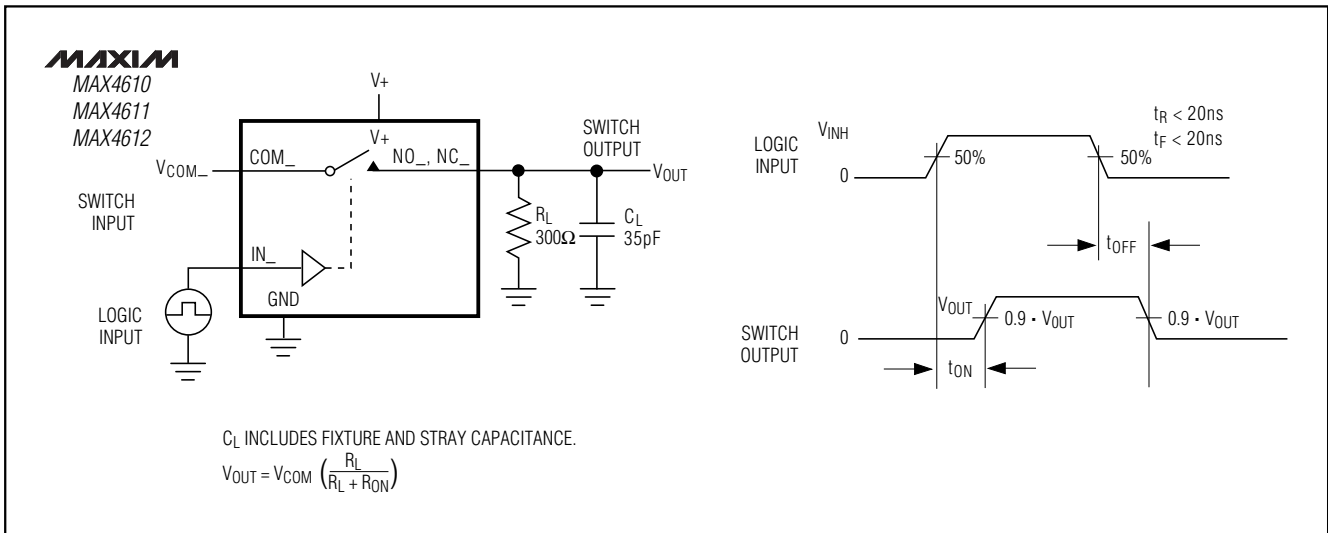


Figure 2. Switching Time

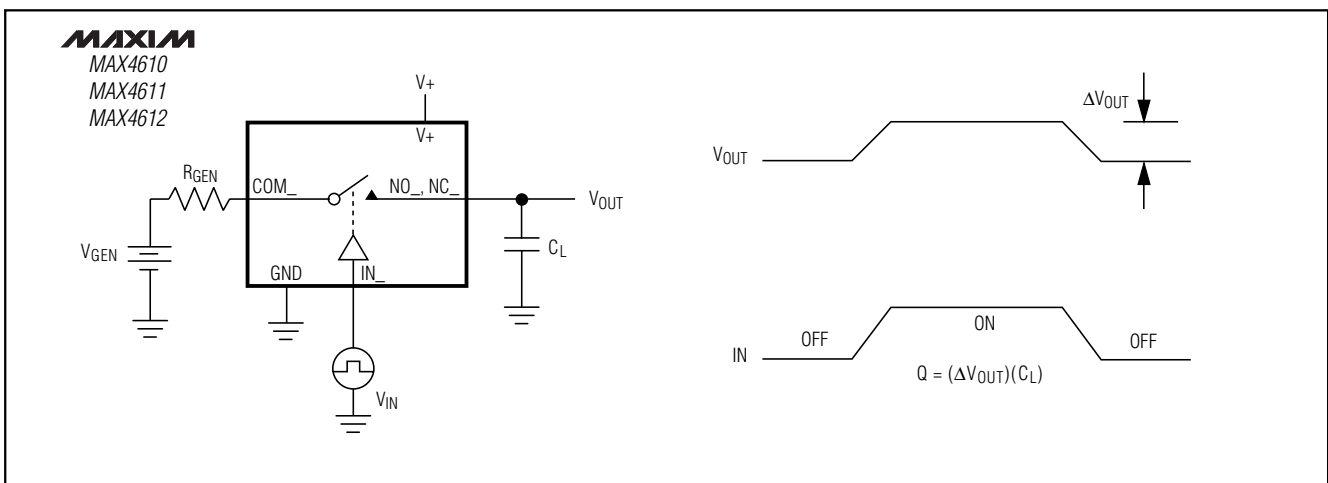


Figure 3. Charge Injection

Low-Voltage, Quad, SPST CMOS Analog Switches

Test Circuits/Timing Diagrams (continued)

MAX4610/MAX4611/MAX4612

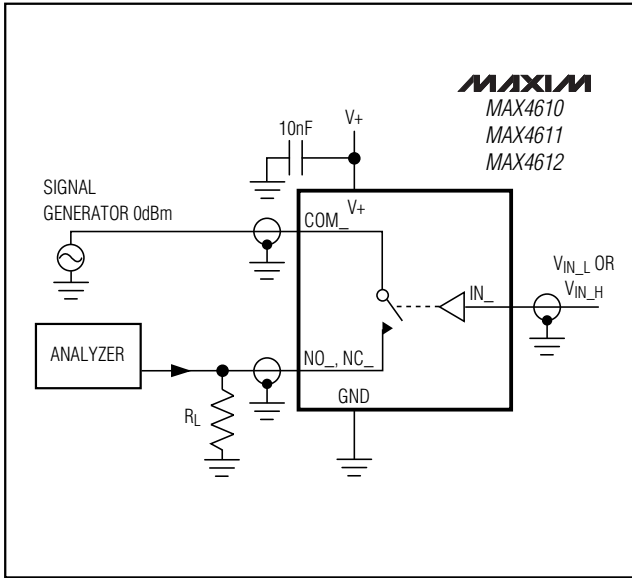


Figure 4. Off-Isolation/On-Channel Bandwidth

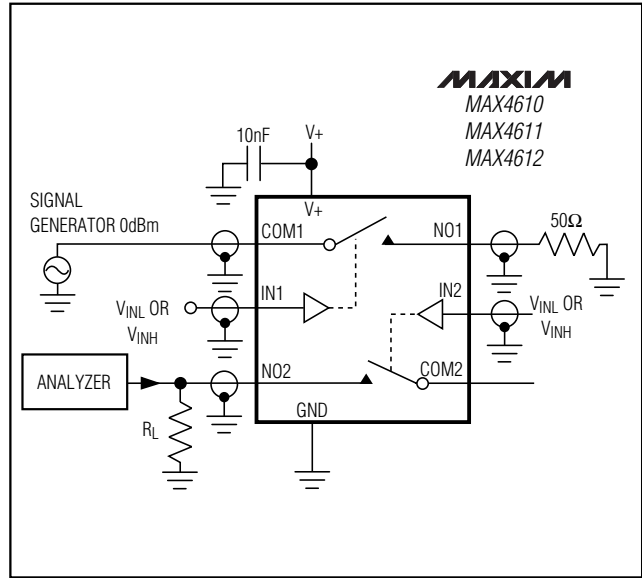


Figure 5. Crosstalk

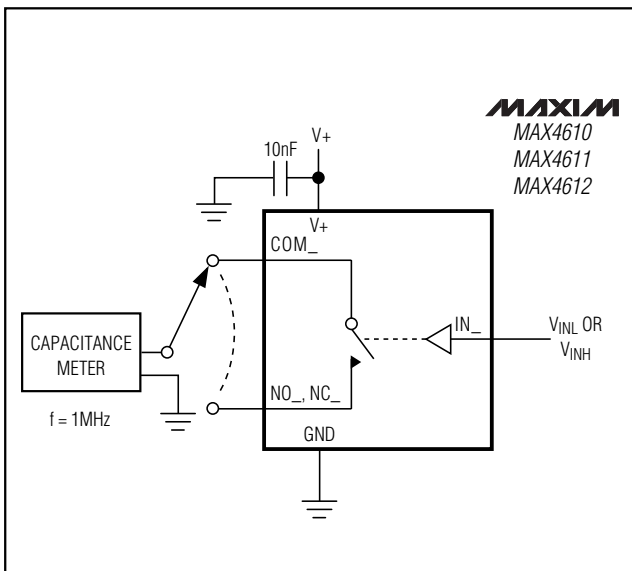


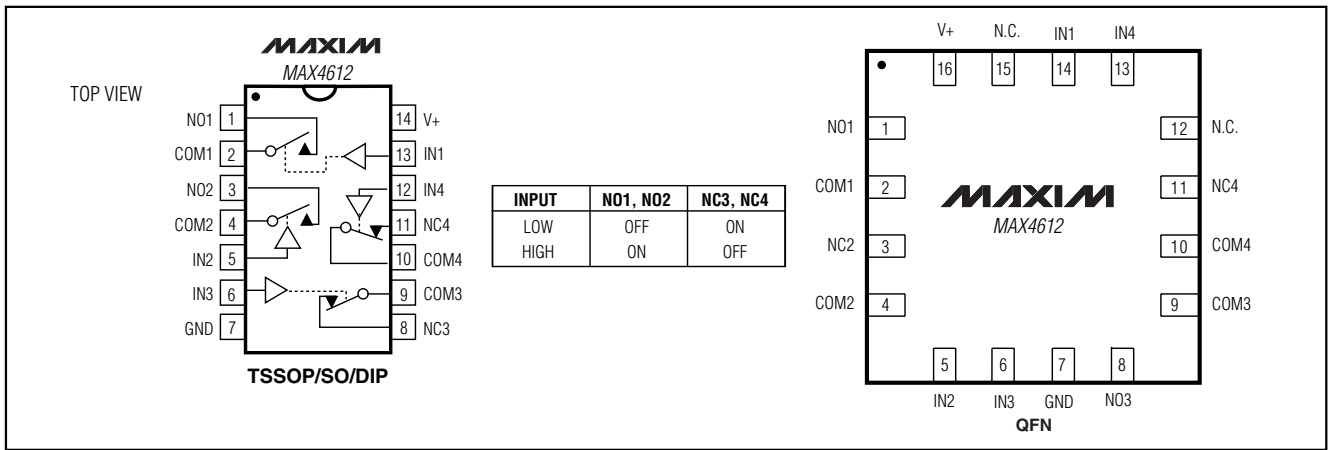
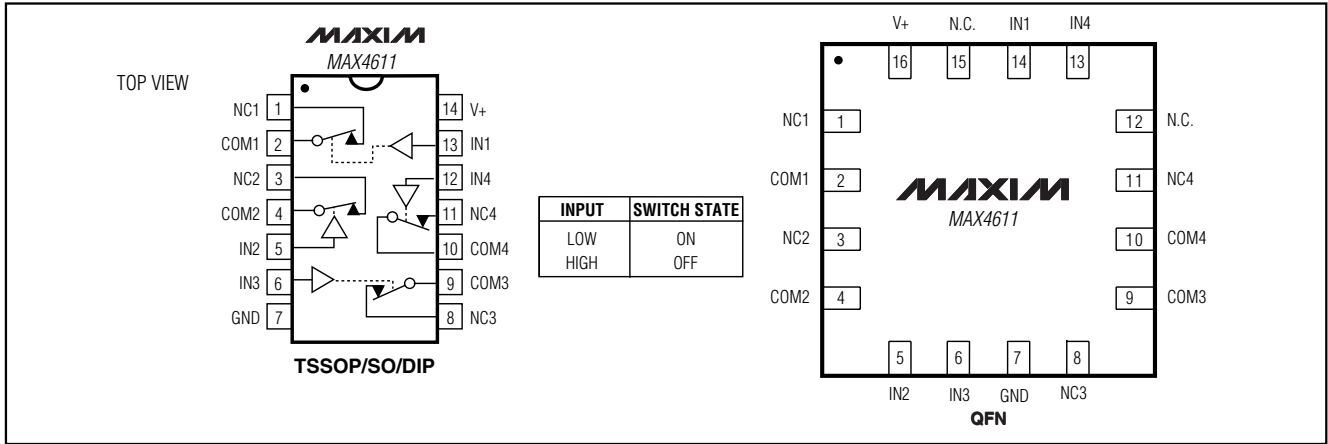
Figure 6. Channel Off/On-Capacitance

| PART | TEMP RANGE | PIN-PACKAGE |
|--------------------|-----------------|-----------------|
| MAX4610ASD | 0°C to +70°C | -40°C to +125°C |
| MAX4611 CUD | 0°C to +70°C | 14 TSSOP |
| MAX4611CSD | 0°C to +70°C | 14 Narrow SO |
| MAX4611CPD | 0°C to +70°C | 14 Plastic DIP |
| MAX4611C/D | 0°C to +70°C | Dice* |
| MAX4611EGE | -40°C to +85°C | 16 QFN |
| MAX4611EUD | -40°C to +85°C | 14 TSSOP |
| MAX4611ESD | -40°C to +85°C | 14 Narrow SO |
| MAX4611EPD | -40°C to +85°C | 14 Plastic DIP |
| MAX4611AUD | -40°C to +125°C | 14 TSSOP |
| MAX4611ASD | -40°C to +125°C | 14 Narrow SO |
| MAX4612 CUD | 0°C to +70°C | 14 TSSOP |
| MAX4612CSD | 0°C to +70°C | 14 Narrow SO |
| MAX4612CPD | 0°C to +70°C | 14 Plastic DIP |
| MAX4612C/D | 0°C to +70°C | Dice* |
| MAX4612EUD | -40°C to +85°C | 14 TSSOP |
| MAX4612ESD | -40°C to +85°C | 14 Narrow SO |
| MAX4612EGE | -40°C to +85°C | 16 QFN |
| MAX4612EPD | -40°C to +85°C | 14 Plastic DIP |
| MAX4612AUD | -40°C to +125°C | 14 TSSOP |
| MAX4612ASD | -40°C to +125°C | 14 Narrow SO |

*Contact factory for dice specifications.

Low-Voltage, Quad, SPST CMOS Analog Switches

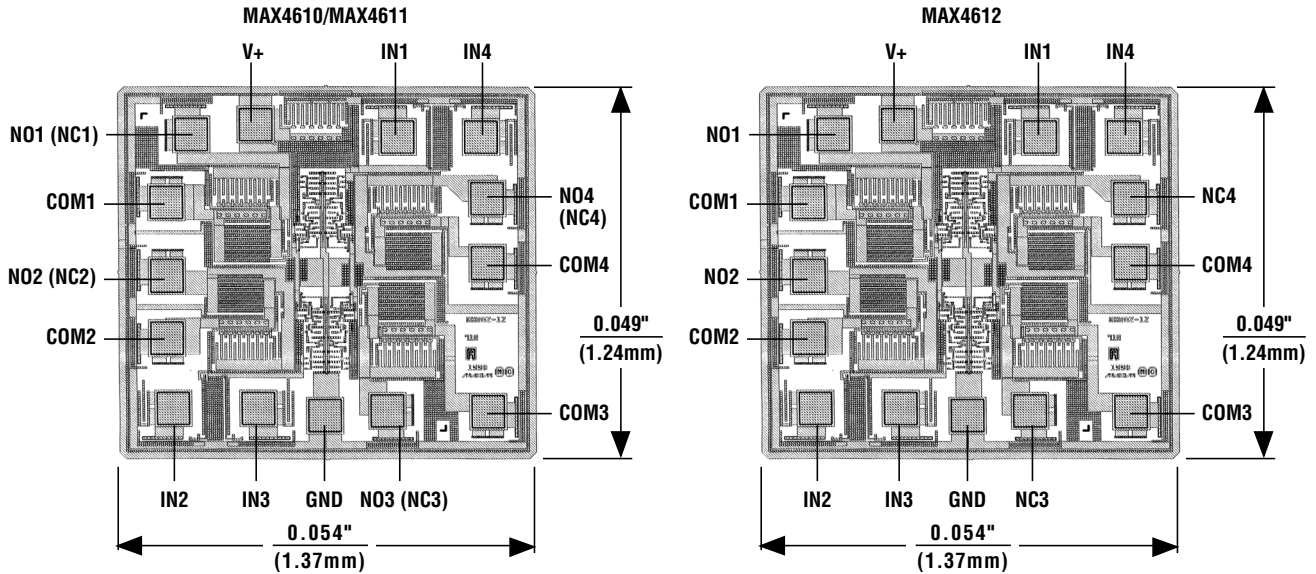
Pin Configurations/Truth Tables (continued)



Low-Voltage, Quad, SPST CMOS Analog Switches

Chip Topographies

MAX4610/MAX4611/MAX4612



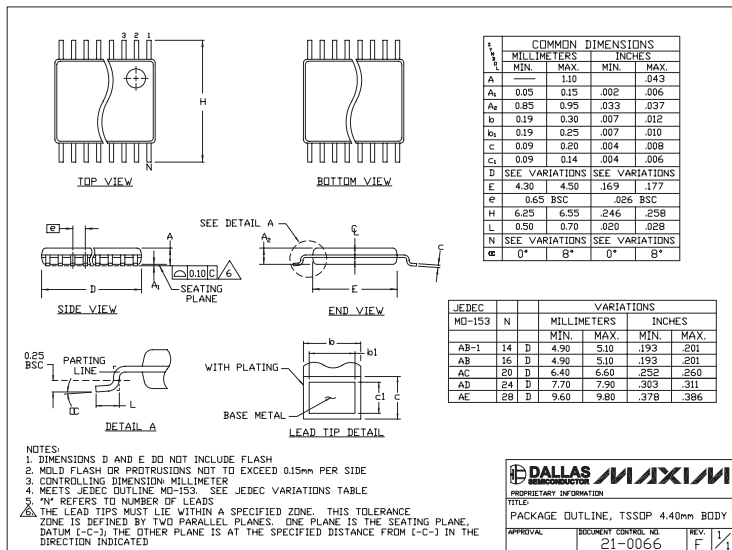
() ARE FOR MAX4611

TRANSISTOR COUNT: 132

SUBSTRATE CONNECTED TO V+

Package Information

(The package drawing(s) in this data sheet may not reflect the most current specifications. For the latest package outline information, go to www.maxim-ic.com/packages.)



Low-Voltage, Quad, SPST CMOS Analog Switches

Package Information (continued)

(The package drawing(s) in this data sheet may not reflect the most current specifications. For the latest package outline information, go to www.maxim-ic.com/packages.)

TOP VIEW

FRONT VIEW

SIDE VIEW

NOTES:
 1. D&E DO NOT INCLUDE MOLD FLASH.
 2. MOLD FLASH OR PROTRUSIONS NOT TO EXCEED 0.15mm (.006").
 3. LEADS TO BE COPLANAR WITHIN 0.10mm (.004").
 4. CONTROLLING DIMENSION: MILLIMETERS.
 5. MEETS JEDEC MS012.
 6. N = NUMBER OF PINS.

| DIM | INCHES | | MILLIMETERS | |
|-----|-----------|-------|-------------|------|
| | MIN | MAX | MIN | MAX |
| A | 0.053 | 0.069 | 1.35 | 1.75 |
| A1 | 0.004 | 0.010 | 0.10 | 0.25 |
| B | 0.014 | 0.019 | 0.35 | 0.49 |
| C | 0.007 | 0.010 | 0.19 | 0.25 |
| e | 0.050 BSC | | 1.27 BSC | |
| E | 0.150 | 0.157 | 3.80 | 4.00 |
| H | 0.228 | 0.244 | 5.80 | 6.20 |
| L | 0.016 | 0.050 | 0.40 | 1.27 |

VARIATIONS:

| DIM | INCHES | | MILLIMETERS | | N | MS012 |
|-----|--------|-------|-------------|-------|----|-------|
| | MIN | MAX | MIN | MAX | | |
| D | 0.189 | 0.197 | 4.80 | 5.00 | 8 | AA |
| D | 0.337 | 0.344 | 8.55 | 8.75 | 14 | AB |
| D | 0.386 | 0.394 | 9.80 | 10.00 | 16 | AC |

DALLAS SEMICONDUCTOR **MAXIM**

PROPRIETARY INFORMATION

TITLE: PACKAGE OUTLINE, .150" SOIC

| | | | |
|----------|------------------------------|--------|-----|
| APPROVAL | DOCUMENT CONTROL NO. 21-0041 | REV. B | 1/1 |
|----------|------------------------------|--------|-----|

FRONT VIEW

SIDE VIEW

NOTES:
 1. D&E DO NOT INCLUDE MOLD FLASH
 2. MOLD FLASH OR PROTRUSIONS NOT TO EXCEED .15mm (.006")
 3. CONTROLLING DIMENSION: MILLIMETER
 4. MEETS JEDEC MS001-XX AS SHOWN IN ABOVE TABLE
 5. SIMILAR TO JEDEC MO-058AB
 6. N = NUMBER OF PINS

| DIM | INCHES | | MILLIMETERS | | N | MS001 |
|-----|-----------|-------|-------------|-------|-------|-------|
| | MIN | MAX | MIN | MAX | | |
| A | 0.180 | 4.572 | | | 8 | AB |
| A1 | 0.015 | 0.38 | | | 14 | AC |
| A2 | 0.125 | 3.18 | 4.45 | | 16 | AA |
| A3 | 0.055 | 1.40 | 2.03 | | 18 | AD |
| B | 0.015 | 0.222 | 0.381 | 0.56 | 26,54 | 20,AE |
| B1 | 0.045 | 0.665 | 1.14 | 1.65 | 24,AF | |
| C | 0.008 | 0.014 | 0.2 | 0.355 | 28 | *5 |
| D1 | 0.005 | 0.080 | 0.13 | 2.03 | | |
| E | 0.300 | 0.325 | 7.62 | 8.26 | | |
| E1 | 0.240 | 0.310 | 6.10 | 7.87 | | |
| e | 0.100 BSC | | 2.54 BSC | | | |
| eA | 0.300 BSC | | 7.62 BSC | | | |
| eB | 0.400 BSC | | 10.16 BSC | | | |
| L | 0.115 | 0.150 | 2.921 | 3.81 | | |

MAXIM

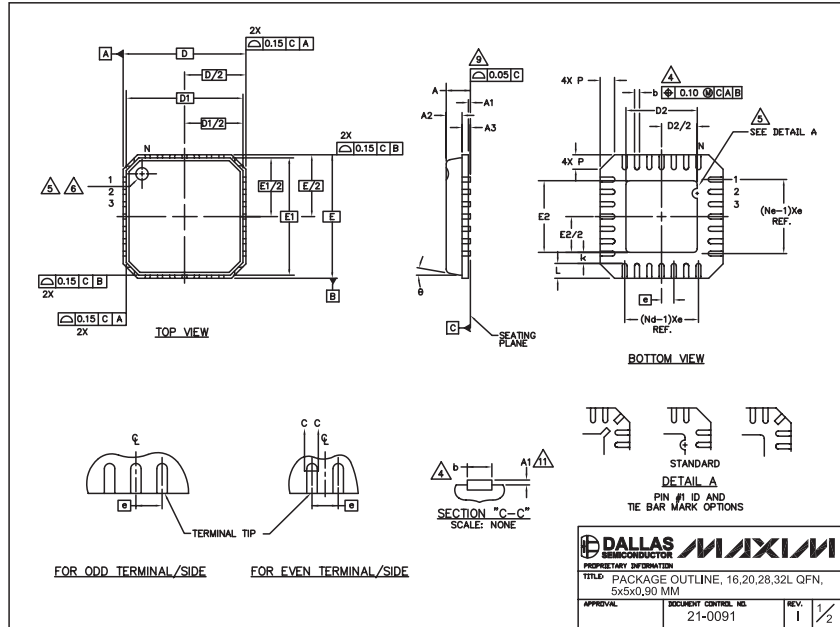
PROPRIETARY INFORMATION

TITLE: PACKAGE FAMILY OUTLINE: PDIP .300" 1/1 21-0043 D

Low-Voltage, Quad, SPST CMOS Analog Switches

Package Information (continued)

(The package drawing(s) in this data sheet may not reflect the most current specifications. For the latest package outline information, go to www.maxim-ic.com/packages.)



| COMMON DIMENSIONS | | | | | | | | | | | | |
|-------------------|-----------|------|------|-----------|------|------|-----------|------|------|-----------|------|------|
| PKG | 16L 5x5 | | | 20L 5x5 | | | 28L 5x5 | | | 32L 5x5 | | |
| SYMBOL | MIN. | NOM. | MAX. | MIN. | NOM. | MAX. | MIN. | NOM. | MAX. | MIN. | NOM. | MAX. |
| A | 0.80 | 0.90 | 1.00 | 0.80 | 0.90 | 1.00 | 0.80 | 0.90 | 1.00 | 0.80 | 0.90 | 1.00 |
| A1 | 0.00 | 0.01 | 0.05 | 0.00 | 0.01 | 0.05 | 0.00 | 0.01 | 0.05 | 0.00 | 0.01 | 0.05 |
| A2 | 0.00 | 0.65 | 1.00 | 0.00 | 0.65 | 1.00 | 0.00 | 0.65 | 1.00 | 0.00 | 0.65 | 1.00 |
| A3 | 0.20 REF. | | | 0.20 REF. | | | 0.20 REF. | | | 0.20 REF. | | |
| b | 0.28 | 0.33 | 0.40 | 0.23 | 0.28 | 0.35 | 0.18 | 0.23 | 0.30 | 0.18 | 0.23 | 0.30 |
| D | 4.90 | 5.00 | 5.10 | 4.90 | 5.00 | 5.10 | 4.90 | 5.00 | 5.10 | 4.90 | 5.00 | 5.10 |
| D1 | 4.75 BSC | | | 4.75 BSC | | | 4.75 BSC | | | 4.75 BSC | | |
| E | 4.90 | 5.00 | 5.10 | 4.90 | 5.00 | 5.10 | 4.90 | 5.00 | 5.10 | 4.90 | 5.00 | 5.10 |
| E1 | 4.75 BSC | | | 4.75 BSC | | | 4.75 BSC | | | 4.75 BSC | | |
| e | 0.80 BSC | | | 0.65 BSC | | | 0.50 BSC | | | 0.50 BSC | | |
| k | 0.25 | - | - | 0.25 | - | - | 0.25 | - | - | 0.25 | - | - |
| L | 0.35 | 0.55 | 0.75 | 0.35 | 0.55 | 0.75 | 0.35 | 0.55 | 0.75 | 0.30 | 0.40 | 0.50 |
| N | 16 | | | 20 | | | 28 | | | 32 | | |
| ND | 4 | | | 5 | | | 7 | | | 8 | | |
| NE | 4 | | | 5 | | | 7 | | | 8 | | |
| P | 0.00 | 0.42 | 0.60 | 0.00 | 0.42 | 0.60 | 0.00 | 0.42 | 0.60 | 0.00 | 0.42 | 0.60 |
| ϕ | 0" | | | 12" | | | 0" | | | 12" | | |

| EXPOSED PAD VARIATIONS | | | | | | |
|------------------------|------|------|------|------|------|------|
| PKG CODE'S | DIE | | E2 | | E3 | |
| | MIN. | NOM. | MAX. | MIN. | NOM. | MAX. |
| G1655-3 | 2.95 | 3.10 | 3.25 | 2.95 | 3.10 | 3.25 |
| G2055-1 | 2.55 | 2.70 | 2.85 | 2.55 | 2.70 | 2.85 |
| G2055-2 | 2.95 | 3.10 | 3.25 | 2.95 | 3.10 | 3.25 |
| G2855-1 | 2.55 | 2.70 | 2.85 | 2.55 | 2.70 | 2.85 |
| G2855-2 | 2.95 | 3.10 | 3.25 | 2.95 | 3.10 | 3.25 |
| G3255-1 | 2.95 | 3.10 | 3.25 | 2.95 | 3.10 | 3.25 |

NOTES:

- DIE THICKNESS ALLOWABLE IS 0.305mm MAXIMUM (.012 INCHES MAXIMUM)
- DIMENSIONS & TOLERANCES CONFORM TO ASME Y14.5M. - 1994.
- N IS THE NUMBER OF TERMINALS.
- Nd IS THE NUMBER OF TERMINALS IN X-DIRECTION & Ne IS THE NUMBER OF TERMINALS IN Y-DIRECTION.
- DIMENSION b APPLIES TO PLATED TERMINAL AND IS MEASURED BETWEEN 0.20 AND 0.25mm FROM TERMINAL TIP.
- THE PIN #1 IDENTIFIER MUST BE EXISTED ON THE TOP SURFACE OF THE PACKAGE BY USING INDENTATION MARK OR INK/LASER MARKED. DETAILS OF PIN #1 IDENTIFIER IS OPTIONAL, BUT MUST BE LOCATED WITHIN ZONE INDICATED.
- EXACT SHAPE AND SIZE OF THIS FEATURE IS OPTIONAL.
- ALL DIMENSIONS ARE IN MILLIMETERS.
- PACKAGE WARPAGE MAX 0.05mm.
- APPLIED FOR EXPOSED PAD AND TERMINALS. EXCLUDE EMBEDDED PART OF EXPOSED PAD FROM MEASURING.
- MEETS JEDEC MO220; EXCEPT DIMENSION "b".
- APPLIED FOR EXPOSED PAD AND TERMINALS. EXCLUDE EMBEDDING PART OF EXPOSED PAD FROM MEASURING.
- THIS PACKAGE OUTLINE APPLIES TO ANVIL SINGULATION (STEPPED SIDES).

APPROVAL: _____ DOCUMENT CONTROL NO. 21-0091 REV. 1 1/2

Maxim cannot assume responsibility for use of any circuitry other than circuitry entirely embodied in a Maxim product. No circuit patent licenses are implied. Maxim reserves the right to change the circuitry and specifications without notice at any time.

Maxim Integrated Products, 120 San Gabriel Drive, Sunnyvale, CA 94086 408-737-7600