



Silicon Oscillator with Reset Output

MAX7382

General Description

The MAX7382 silicon oscillator replaces ceramic resonators, crystals, and crystal-oscillator modules as the clock source for microcontrollers in 3V, 3.3V, and 5V applications. The MAX7382 features a factory-programmed oscillator and a microprocessor (μ P) power-on-reset (POR) supervisor.

Unlike typical crystal and ceramic-resonator oscillator circuits, the MAX7382 is resistant to vibration and EMI. The high-output-drive current and absence of high-impedance nodes makes the oscillator less susceptible to dirty or humid operating conditions. With a wide operating temperature range as standard, the MAX7382 is a good choice for demanding home appliance and automotive environments.

The MAX7382 is available with factory-programmed frequencies ranging from 10MHz to 32MHz. See Table 2 for standard frequencies and contact the factory for custom frequencies. Refer to the MAX7376 data sheet for frequencies less than 10MHz.

The MAX7382 is available in a 5-pin SOT23 package. The MAX7382 standard operating temperature range is -40°C to $+125^{\circ}\text{C}$. See the *Applications Information* section for extended operating temperature range.

Applications

- White Goods
- Automotive
- Consumer Products
- Appliances and Controls
- Handheld Products
- Portable Equipment
- Microcontroller Systems

Features

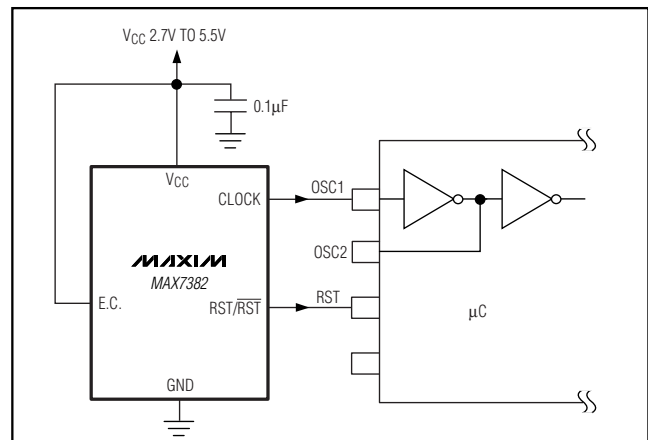
- ◆ 2.7V to 5.5V Operation
- ◆ 10MHz to 32MHz Oscillator
- ◆ Integrated POR
- ◆ $\pm 10\text{mA}$ Clock Output Drive Capability
- ◆ 2.5% Initial Accuracy
- ◆ $\pm 50\text{ppm}/^{\circ}\text{C}$ Frequency Drift
- ◆ 50% Duty Cycle
- ◆ 5ns Output Rise and Fall Time
- ◆ Low Jitter: 80psp-p at 16MHz
- ◆ 4mA Operating Current at 16MHz
- ◆ -40°C to $+125^{\circ}\text{C}$ Temperature Range
- ◆ Small 5-Pin SOT23 Package

Ordering Information

PART*	TEMP RANGE	PIN-PACKAGE	RESET OUTPUT
MAX7382A__-T	-40°C to $+125^{\circ}\text{C}$	5 SOT23-5	Active-high push-pull
MAX7382B__-T	-40°C to $+125^{\circ}\text{C}$	5 SOT23-5	Active-low push-pull
MAX7382C__-T	-40°C to $+125^{\circ}\text{C}$	5 SOT23-5	Open drain

*Standard version is shown in bold. The first letter after the part number designates the reset output option. Insert the letter corresponding to the desired reset threshold level from Table 1 in the next position. Insert the two-letter code from Table 2 in the remaining two positions for the desired frequency range. Table 1 and Table 2 are located at the end of the data sheet.

Typical Operating Circuit



Pin Configuration appears at end of data sheet.

MAXIM

Maxim Integrated Products 1

For pricing, delivery, and ordering information, please contact Maxim/Dallas Direct! at 1-888-629-4642, or visit Maxim's website at www.maxim-ic.com.

Silicon Oscillator with Reset Output

ABSOLUTE MAXIMUM RATINGS

V_{CC} to GND-0.3V to +6.0V
 All Other Pins to GND-0.3V to (V₊ + 0.3V)
 CLOCK, RST Current±50mA
 Continuous Power Dissipation (T_A = +70°C)
 5-Pin SOT23 (derate 7.1mW/°C above +70°C)....571mW (U5-2)

Operating Temperature Range-55°C to +135°C
 Junction Temperature+150°C
 Storage Temperature Range-65°C to +150°C
 Lead Temperature (soldering, 10s)+300°C

Stresses beyond those listed under "Absolute Maximum Ratings" may cause permanent damage to the device. These are stress ratings only, and functional operation of the device at these or any other conditions beyond those indicated in the operational sections of the specifications is not implied. Exposure to absolute maximum rating conditions for extended periods may affect device reliability.

ELECTRICAL CHARACTERISTICS

(Typical Operating Circuit, V_{CC} = 2.7V to 5.5V, V_L = V_{CC}, T_A = -40°C to +125°C. Typical values are at V_{CC} = 5.0V, T_A = +25°C, unless otherwise noted.) (Note 1)

PARAMETER	SYMBOL	CONDITIONS	MIN	TYP	MAX	UNITS
Operating Supply Voltage	V _{CC}		2.7		5.5	V
Operating Supply Current	I _{CC}	f _{CLOCK} = 16MHz, T _A = -40°C to +125°C, no load			8.7	mA
		f _{CLOCK} = 14.7456MHz, T _A = -40°C to +125°C, no load			8.0	
		f _{CLOCK} = 12MHz, T _A = -40°C to +125°C, no load			6.5	
		f _{CLOCK} = 11.0592MHz, T _A = -40°C to +125°C, no load			6.0	
		f _{CLOCK} = 10MHz, T _A = -40°C to +125°C, no load			5.4	
CLOCK OUTPUT						
Output High Voltage	V _{OH}	V _L = 4.5V, I _{SOURCE} = 7.0mA	V _L - 0.4			V
		V _L = 2.7V, I _{SOURCE} = 2.0mA				
Output Low Voltage	V _{OL}	V _L = 4.5V, I _{SINK} = 20mA			0.4	V
		V _L = 2.7V, I _{SINK} = 10mA				
Clock Frequency Accuracy	f _{CLOCK}	V _{CC} = 5V, T _A = +25°C, deviation from selected frequency	-2.5		+2.5	%
		V _{CC} = 2.7V to 5.5V, T _A = +25°C, deviation from selected frequency	-5.0		+3.5	
Clock Temperature Coefficient		T _A = -40°C to +125°C		±50	±350	ppm/°C
Duty Cycle		(Note 2)	40	50	60	%

Silicon Oscillator with Reset Output

MAX7382

ELECTRICAL CHARACTERISTICS (continued)

(Typical Operating Circuit, $V_{CC} = 2.7V$ to $5.5V$, $V_L = V_{CC}$, $T_A = -40^{\circ}C$ to $+125^{\circ}C$. Typical values are at $V_{CC} = 5.0V$, $T_A = +25^{\circ}C$, unless otherwise noted.) (Note 1)

PARAMETER	SYMBOL	CONDITIONS	MIN	TYP	MAX	UNITS
Output Jitter		Observation of 16MHz for 20s using a 12GHz oscilloscope		80		psp-P
Output Rise Time	t_R	10% to 90%		5		ns
Output Fall Time	t_F	90% to 10%		5		ns
Power-On-Reset Threshold	V_{TH}	V _{CC} rising, deviation from nominal threshold	$T_A = +25^{\circ}C$	-2	+2	%
			$T_A = -40^{\circ}C$ to $+125^{\circ}C$	-5	+5	
Reset Hysteresis	HYST	Difference between rising and falling thresholds		1		%
Power-On-Reset Delay	POR _{DLY}	V _{CC} rising from 0 to 5V in 1 μ s at $+25^{\circ}C$		122		μ s
RESET OUTPUT						
Output High Voltage (Note 3)	V_{OH}	$V_L = 4.5V$, $I_{SOURCE} = 7.0mA$		$V_{CC} - 0.4$		V
		$V_L = 2.7V$, $I_{SOURCE} = 2.0mA$		$V_{CC} - 0.4$		
Output Low Voltage	V_{OL}	$V_L = 4.5V$, $I_{SINK} = 20mA$			0.4	V
		$V_L = 2.7V$, $I_{SOURCE} = 10mA$			0.4	

Note 1: All parameters tested at $T_A = +25^{\circ}C$. Specifications over temperature are guaranteed by design.

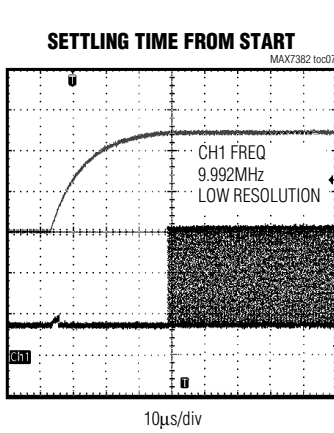
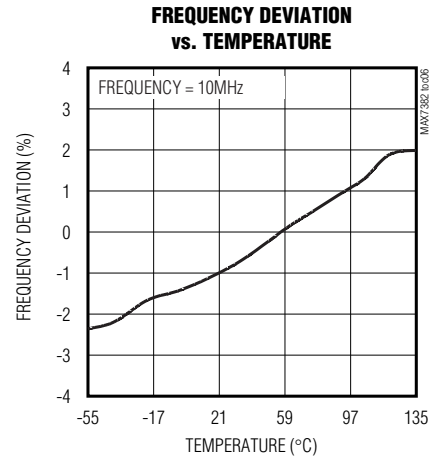
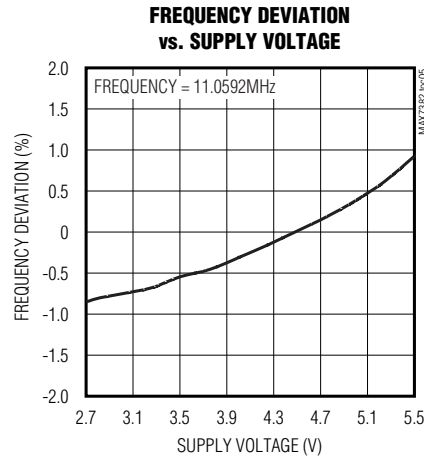
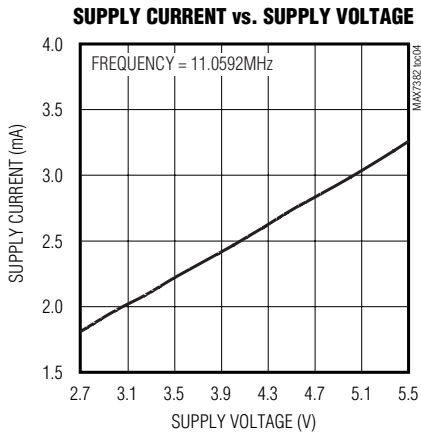
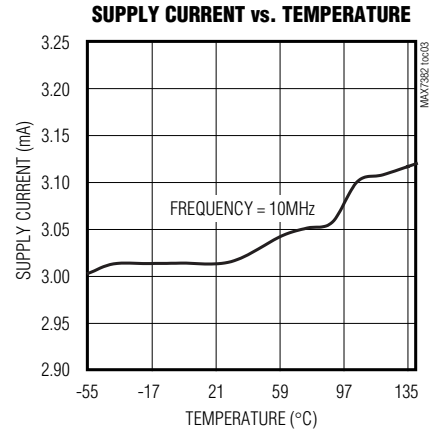
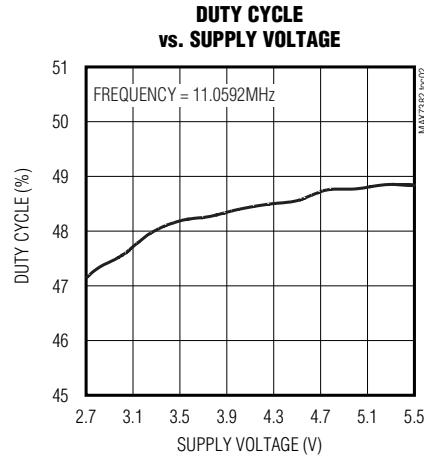
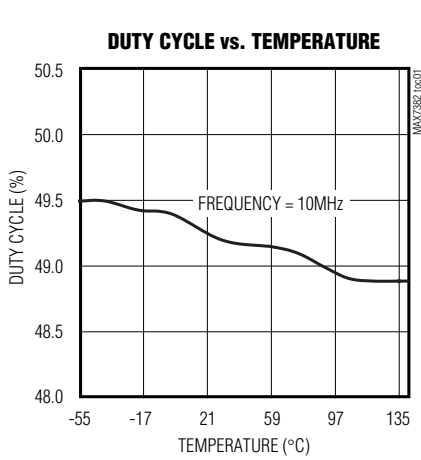
Note 2: Guaranteed by design. Not production tested.

Note 3: For push-pull output only.

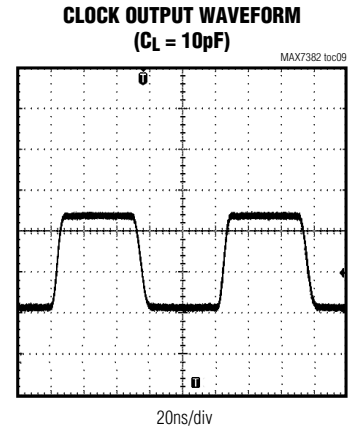
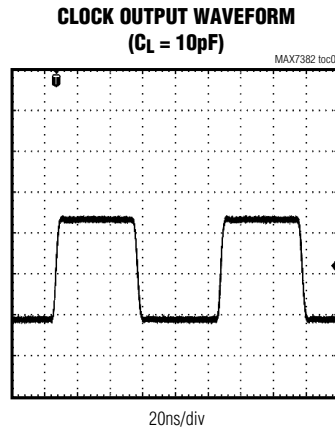
Silicon Oscillator with Reset Output

Typical Operating Characteristics

($V_{CC} = V_L = 5V$, $T_A = +25^\circ C$, frequency = 10MHz, unless otherwise noted.)



CHANNEL 1 = CLOCK, CHANNEL 2 = V_{CC}

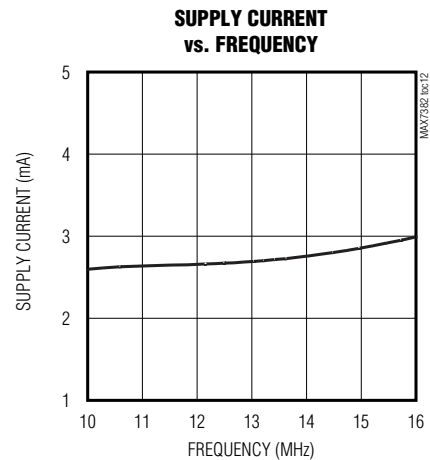
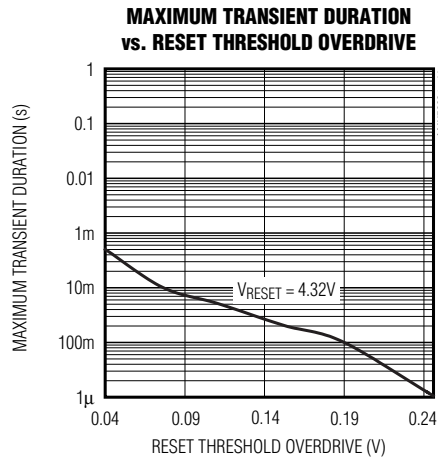
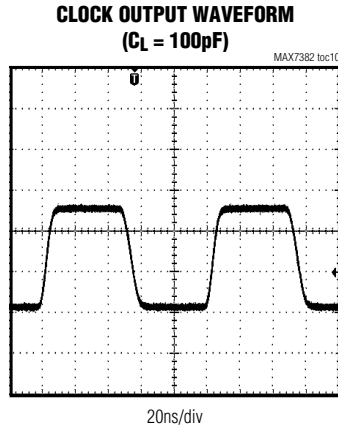


Silicon Oscillator with Reset Output

MAX7382

Typical Operating Characteristics (continued)

($V_{CC} = V_L = 5V$, $T_A = +25^\circ C$, frequency = 10MHz, unless otherwise noted.)



Pin Description

PIN	NAME	FUNCTION
1	CLOCK	Push-Pull Clock Output
2	GND	Ground
3	RST	Reset Output. Open-drain or push-pull output. See the <i>Ordering Information</i> .
4	V_{CC}	Positive Supply Voltage. Bypass with a 0.1 μF capacitor to GND.
5	E.C.	Externally Connected. Connect to V_{CC} .

Detailed Description

The MAX7382 is a clock generator with integrated reset for microcontrollers (μCs) and UARTs in 3V, 3.3V, and 5V applications. The MAX7382 is a replacement for crystal-oscillator modules, crystals, or ceramic resonators, and a system reset IC. The clock frequency and reset threshold voltage are factory trimmed to specific values. A variety of popular standard frequencies are available; see Table 2. No external components are required for setting or adjusting the frequency.

Oscillator

The push-pull clock output drives a load to within 400mV of either supply rail. The clock output remains stable over the full operating voltage range and does not generate short output cycles during either power-on or changing of the frequency. A typical oscillating start-up is shown in the *Typical Operating Characteristics*.

Silicon Oscillator with Reset Output

Applications Information

Interfacing to a Microcontroller Clock Input

The MAX7382 clock output is a push-pull, CMOS, logic output that directly drives a μP or μC clock input. There are no impedance-matching issues when using the MAX7382. Refer to the microcontroller data sheet for clock input compatibility with external clock signals. The MAX7382 requires no biasing components or load capacitance. When using the MAX7382 to retrofit a crystal oscillator, remove all biasing components from the oscillator input.

Reset Output

The MAX7382 is available with three reset output stage options: push-pull active-low, push-pull active-high, and open-drain active-low. RST is asserted when the monitored input (V_{CC}) drops below the internal $V_{\text{TH-}}$ threshold and remains asserted for $120\mu\text{s}$ after the monitored input exceeds the internal $V_{\text{TH+}}$ threshold. The open-drain RST output requires an external pullup resistor.

Output Jitter

The MAX7382's jitter performance is given in the *Electrical Characteristics* table as a peak-to-peak value obtained by observing the output of the MAX7382 for 20s with a 12GHz oscilloscope. Jitter measurements are approximately proportional to the period of the output of the device. Thus, a 10MHz device has approximately twice the jitter value of a 20MHz device. The jitter performance of all clock sources degrades in the presence of mechanical and electrical interference.

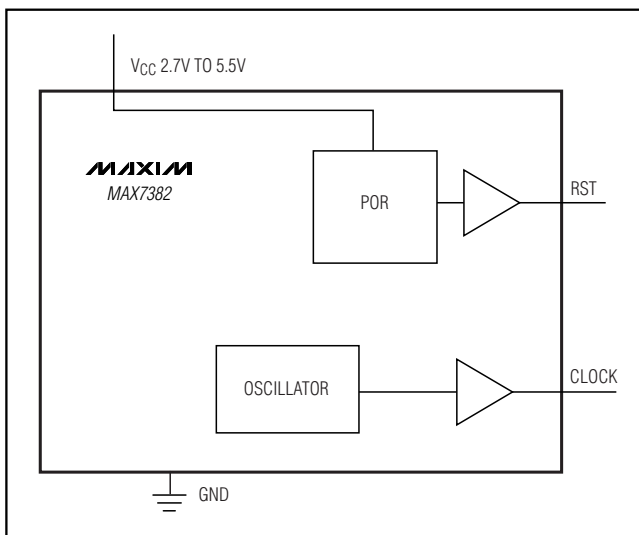


Figure 1. Functional Diagram

Table 1. Standard Reset Threshold Levels

SUFFIX	RESET THRESHOLD (V)
X	2.50
V	2.71
R	2.89 standard value
Q	3.13
P	3.34
N	3.44
J	3.96
M	4.38 standard value

Contact factory for nonstandard reset threshold options.

Table 2. Standard Frequencies

SUFFIX	STANDARD FREQUENCY (MHz)
UK	10
UT	11.0592
VB	12
VT	14.7456
WB	16
YN	32

For all other frequency options, contact factory.

Table 3. Standard Part Numbers

PART	RESET THRESHOLD (V)	FREQUENCY (MHz)	TOP MARK
MAX7382CRUK	2.89	10	AEVU
MAX7382CRUT*	2.89	11.0592	—
MAX7382CRVB	2.89	12	AEVM
MAX7382CRVT*	2.89	14.7456	—
MAX7382CRWB	2.89	16	AEVK
MAX7382CRYN*	2.89	32	AEVL
MAX7382CMUK*	4.38	10	—
MAX7382CMUT*	4.38	11.0592	—
MAX7382CMVB	4.38	12	AEVJ
MAX7382CMVT*	4.38	14.7456	—
MAX7382CMWB	4.38	16	AEVH
MAX7382CMYN*	4.38	32	AEVI

*Contact factory for availability.

The MAX7382 is relatively immune to vibration, shock, and EMI influences and thus provides a considerably more robust clock source than crystal or ceramic resonator-based oscillator circuits.

Silicon Oscillator with Reset Output

Initial Power-Up and Operation

An internal power-up reset holds the clock output low until the supply voltage has risen above the power-on-reset threshold (V_{TH+}).

RST holds the microcontroller in a reset condition until 120 μ s after the clock has started up. This reset delay ensures that the clock output and the microcontroller's internal clock circuits have stabilized before the system is allowed to start. Typical microcontroller reset delay ranges from 1ms to 250ms to allow a slow crystal oscillator circuit to start up. The MAX7382 has a fast startup, eliminating the need for such a long reset delay.

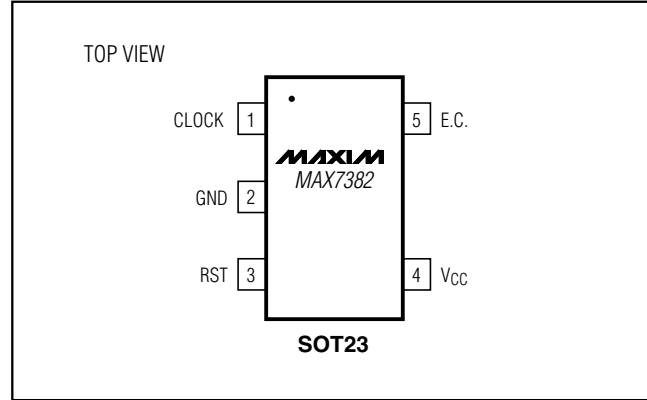
Extended Temperature Operation

The MAX7382 was tested to +135°C during product characterization and shown to function normally at this temperature (see the *Typical Operating Characteristics*). However, production test and qualification is only performed from -40°C to +125°C at this time. Contact the factory if operation outside this range is required.

Power-Supply Considerations

The MAX7382 operates with a 2.7V and 5.5V power-supply voltage. Good power-supply decoupling is needed to maintain the power-supply rejection performance of the MAX7382. Bypass V_{CC} to GND with a 0.1 μ F surface-mount ceramic capacitor. Mount the bypassing capacitor as close to the device as possible. If possible, mount the MAX7382 close to the microcontroller's decoupling capacitor so that additional decoupling is not required. Use a larger value of bypass capacitor recommended if the MAX7382 is to operate with a large capacitive load. Use a bypass capacitor value of at least 1000 times that of the output load capacitance.

Pin Configuration



MAX7382

Chip Information

TRANSISTOR COUNT: 2937

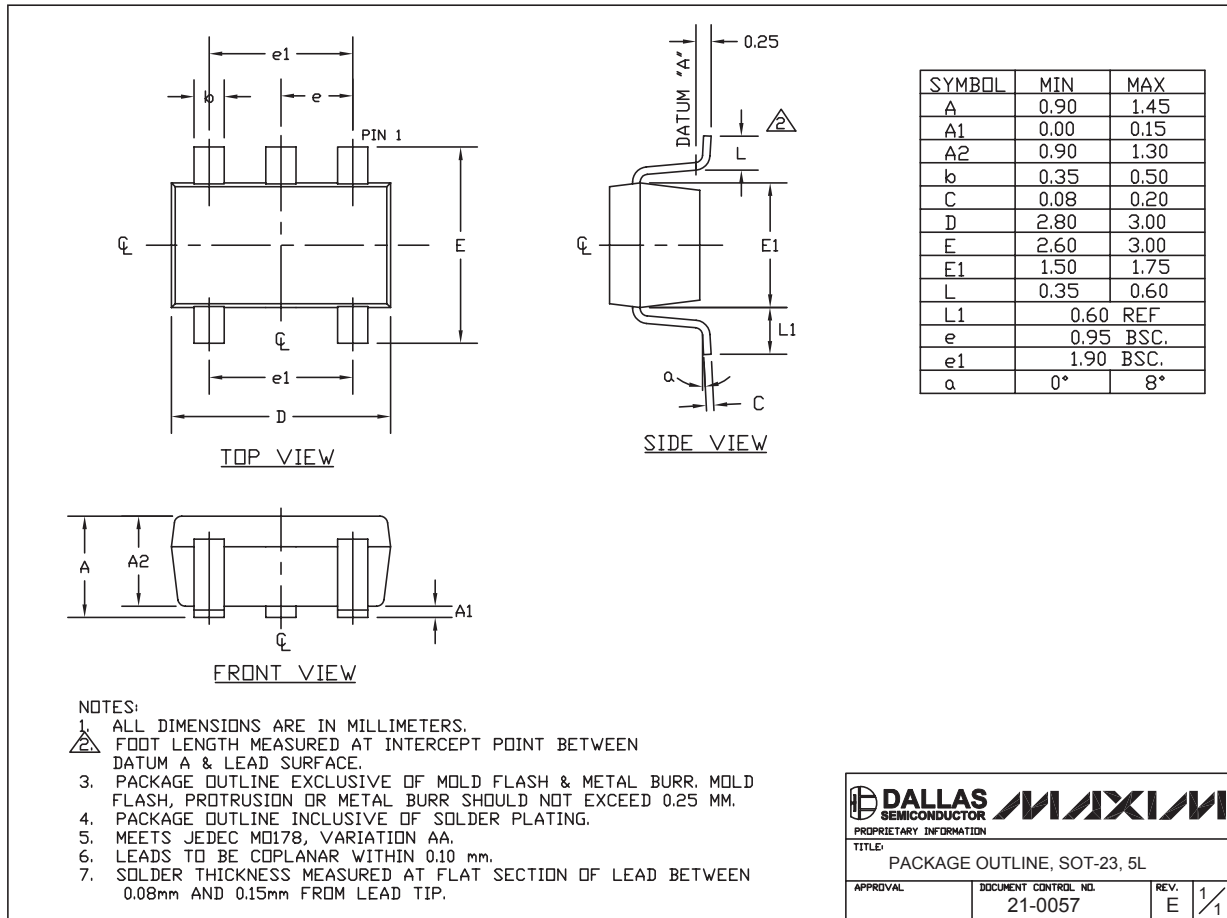
PROCESS: BICMOS

Silicon Oscillator with Reset Output

Package Information

(The package drawing(s) in this data sheet may not reflect the most current specifications. For the latest package outline information, go to www.maxim-ic.com/packages.)

MAX7382



SOT-23 5L .EPS

Maxim cannot assume responsibility for use of any circuitry other than circuitry entirely embodied in a Maxim product. No circuit patent licenses are implied. Maxim reserves the right to change the circuitry and specifications without notice at any time.

8 **Maxim Integrated Products, 120 San Gabriel Drive, Sunnyvale, CA 94086 408-737-7600**