

# Quint Differential Line Receiver

The MC10E416/100E416 is a 5-bit differential line receiving device. The 2.0GHz of bandwidth provided by the high frequency outputs makes the device ideal for buffering of very high speed oscillators.

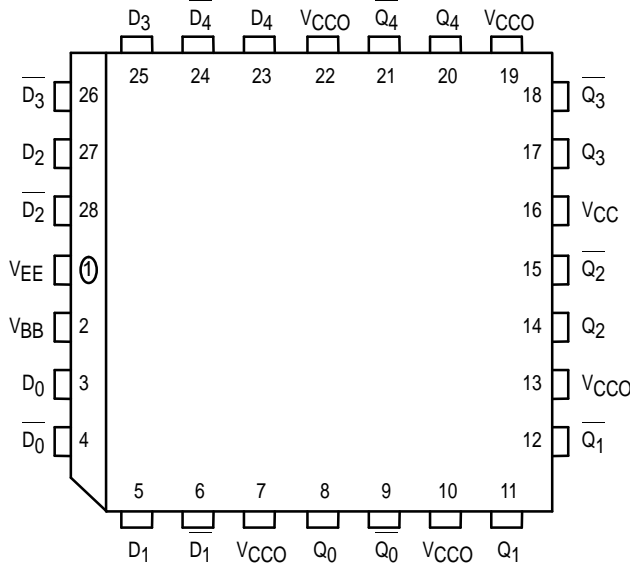
A  $V_{BB}$  pin is available to AC couple an input signal to the device. More information on AC coupling can be found in the design handbook section of this data book.

The design incorporates two stages of gain, internal to the device, making it an excellent choice for use in high bandwidth amplifier applications.

The differential inputs have internal clamp structures which will force the Q output of a gate in an open input condition to go to a LOW state. Thus, inputs of unused gates can be left open and will not affect the operation of the rest of the device. Note that the input clamp will take affect only if both inputs fall 2.5V below  $V_{CC}$ .

- Differential D and Q;  $V_{BB}$  available
- 600ps Max. Propagation Delay
- High Frequency Outputs
- 2 Stages of Gain
- Extended 100E  $V_{EE}$  Range of - 4.2V to - 5.46V
- Internal 75k $\Omega$  Input Pulldown Resistors

**Pinout: 28-Lead PLCC (Top View)**



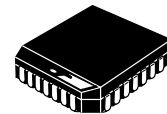
\* All  $V_{CC}$  and  $V_{CCO}$  pins are tied together on the die.

**PIN NAMES**

Pin	Function
$D[0:4], \bar{D}[0:4]$	Differential Data Inputs
$Q[0:4], \bar{Q}[0:4]$	Differential Data Outputs

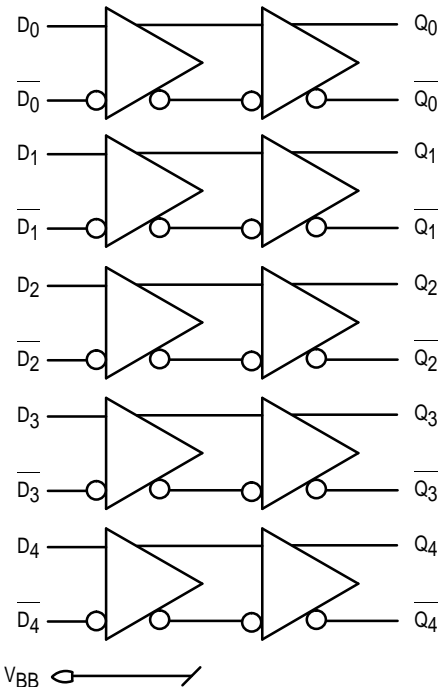
**MC10E416**  
**MC100E416**

**QUINT DIFFERENTIAL**  
**LINE RECEIVER**



**FN SUFFIX**  
PLASTIC PACKAGE  
CASE 776-02

**LOGIC DIAGRAM**



# MC10E416 MC100E416

## DC CHARACTERISTICS ( $V_{EE} = V_{EE}(\text{min})$ to $V_{EE}(\text{max})$ ; $V_{CC} = V_{CCO} = \text{GND}$ )

Symbol	Characteristic	0°C			25°C			85°C			Unit	Condition
		min	typ	max	min	typ	max	min	typ	max		
$V_{BB}$	Output Reference Voltage										V	
	10E	-1.38	-1.27		-1.35	-1.25		-1.31	-1.19			
	100E	-1.38	-1.26		-1.38	-1.26		-1.38	-1.26			
$I_{IH}$	Input HIGH Current			150			150			150	$\mu\text{A}$	
$I_{EE}$	Power Supply Current										mA	
	10E		135	162		135	162		135	162		
	100E		135	162		135	162		155	186		
$V_{PP}(\text{DC})$	Input Sensitivity	50			50			50			mV	1
$V_{CMR}$	Common Mode Range	-1.5	0		-1.5	0		-1.5	0		V	2

1. Differential input voltage required to obtain a full ECL swing on the outputs.
2.  $V_{CMR}$  is referenced to the most positive side of the differential input signal. Normal operation is obtained when the input signal are within the  $V_{CMR}$  range and the input swing is greater than  $V_{PP \text{ MIN}}$  and  $< 1.0\text{V}$

## AC CHARACTERISTICS ( $V_{EE} = V_{EE}(\text{min})$ to $V_{EE}(\text{max})$ ; $V_{CC} = V_{CCO} = \text{GND}$ )

Symbol	Characteristic	0°C			25°C			85°C			Unit	Condition
		min	typ	max	min	typ	max	min	typ	max		
$t_{PLH}$ $t_{PHL}$	Propagation Delay to Output										ps	
	d(Diff)	250	350	500	250	350	500	250	350	500		
	D(SE)	200	350	550	200	350	550	200	350	550		
$t_{SKEW}$	Within-Device Skew		50			50			50		ps	1
$t_{SKEW}$	Duty Cycle Skew $t_{PLH} - t_{PHL}$		$\pm 10$			$\pm 10$			$\pm 10$		ps	2
$V_{PP}(\text{AC})$	Minimum Input Swing	150			150			150			mV	3
$t_r$ $t_f$	Rise/Fall Time 20 - 80%	100	200	350	100	200	350	100	200	350	ps	

1. Within-device skew is defined as identical transitions on similar paths through a device.
2. Duty cycle skew defined only for differential operation when the delays are measured from the cross point of the inputs to the cross point of the outputs.
3. Minimum input swing for which AC parameters are guaranteed.

OUTLINE DIMENSIONS


FN SUFFIX  
 PLASTIC PLCC PACKAGE  
 CASE 776-02  
 ISSUE D



NOTES:

- DATUMS -L-, -M-, AND -N- DETERMINED WHERE TOP OF LEAD SHOULDER EXITS PLASTIC BODY AT MOLD PARTING LINE.
- DIM G1, TRUE POSITION TO BE MEASURED AT DATUM -T-, SEATING PLANE.
- DIM R AND U DO NOT INCLUDE MOLD FLASH. ALLOWABLE MOLD FLASH IS 0.010 (0.250) PER SIDE.
- DIMENSIONING AND TOLERANCING PER ANSI Y14.5M, 1982.
- CONTROLLING DIMENSION: INCH.
- THE PACKAGE TOP MAY BE SMALLER THAN THE PACKAGE BOTTOM BY UP TO 0.012 (0.300). DIMENSIONS R AND U ARE DETERMINED AT THE OUTERMOST EXTREMES OF THE PLASTIC BODY EXCLUSIVE OF MOLD FLASH, TIE BAR BURRS, GATE BURRS AND INTERLEAD FLASH, BUT INCLUDING ANY MISMATCH BETWEEN THE TOP AND BOTTOM OF THE PLASTIC BODY.
- DIMENSION H DOES NOT INCLUDE DAMBAR PROTRUSION OR INTRUSION. THE DAMBAR PROTRUSION(S) SHALL NOT CAUSE THE H DIMENSION TO BE GREATER THAN 0.037 (0.940). THE DAMBAR INTRUSION(S) SHALL NOT CAUSE THE H DIMENSION TO BE SMALLER THAN 0.025 (0.635).

DIM	INCHES		MILLIMETERS	
	MIN	MAX	MIN	MAX
A	0.485	0.495	12.32	12.57
B	0.485	0.495	12.32	12.57
C	0.165	0.180	4.20	4.57
E	0.090	0.110	2.29	2.79
F	0.013	0.019	0.33	0.48
G	0.050 BSC		1.27 BSC	
H	0.026	0.032	0.66	0.81
J	0.020	—	0.51	—
K	0.025	—	0.64	—
R	0.450	0.456	11.43	11.58
U	0.450	0.456	11.43	11.58
V	0.042	0.048	1.07	1.21
W	0.042	0.048	1.07	1.21
X	0.042	0.056	1.07	1.42
Y	—	0.020	—	0.50
Z	2°		10°	
G1	0.410	0.430	10.42	10.92
K1	0.040	—	1.02	—

Motorola reserves the right to make changes without further notice to any products herein. Motorola makes no warranty, representation or guarantee regarding the suitability of its products for any particular purpose, nor does Motorola assume any liability arising out of the application or use of any product or circuit, and specifically disclaims any and all liability, including without limitation consequential or incidental damages. "Typical" parameters which may be provided in Motorola data sheets and/or specifications can and do vary in different applications and actual performance may vary over time. All operating parameters, including "Typicals" must be validated for each customer application by customer's technical experts. Motorola does not convey any license under its patent rights nor the rights of others. Motorola products are not designed, intended, or authorized for use as components in systems intended for surgical implant into the body, or other applications intended to support or sustain life, or for any other application in which the failure of the Motorola product could create a situation where personal injury or death may occur. Should Buyer purchase or use Motorola products for any such unintended or unauthorized application, Buyer shall indemnify and hold Motorola and its officers, employees, subsidiaries, affiliates, and distributors harmless against all claims, costs, damages, and expenses, and reasonable attorney fees arising out of, directly or indirectly, any claim of personal injury or death associated with such unintended or unauthorized use, even if such claim alleges that Motorola was negligent regarding the design or manufacture of the part. Motorola and  are registered trademarks of Motorola, Inc. Motorola, Inc. is an Equal Opportunity/Affirmative Action Employer.

**How to reach us:**

**USA/EUROPE/Locations Not Listed:** Motorola Literature Distribution;  
P.O. Box 20912; Phoenix, Arizona 85036. 1-800-441-2447 or 602-303-5454

**MFAX:** RMFAX0@email.sps.mot.com – TOUCHTONE 602-244-6609  
**INTERNET:** <http://Design-NET.com>

**JAPAN:** Nippon Motorola Ltd.; Tatsumi-SPD-JLDC, 6F Seibu-Butsuryu-Center,  
3-14-2 Tatsumi Koto-Ku, Tokyo 135, Japan. 03-81-3521-8315

**ASIA/PACIFIC:** Motorola Semiconductors H.K. Ltd.; 8B Tai Ping Industrial Park,  
51 Ting Kok Road, Tai Po, N.T., Hong Kong. 852-26629298

