

# UTC MC34018 LINEAR INTEGRATED CIRCUIT

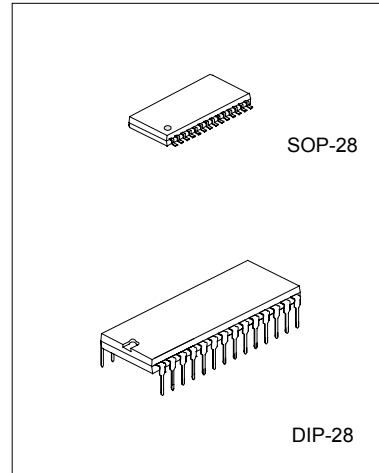
## VOICE SWITCHED SPEAKER-PHONE CIRCUIT

### DESCRIPTION

The UTC MC34018 speaker-phone integrated circuit incorporates the necessary functions to produce a high quality hands-free speaker-phone system. The applications include household and office speaker-phones, intercom systems, hand free kit for mobile phones, and others.

### FEATURES

- \*All necessary level detection and attenuation controls for a hand-free telephone included.
- \*Background noise level monitoring with long time constant.
- \*Background sound level compensation for transmit and receive levels as well as the background level.
- \*Wide operating dynamic range through signal compression.
- \*On-chip voltage regulators illuminate external regulators for lining operation.
- \*Power audio amplifier for typical 100mW output (into 25 ohms) with peak limiting for speaker to minimize distortion.
- \*Chip Select pin for active/stand by operation.
- \*Volume control function for external volume control.
- \*Standard 28-pin plastic DIP and SOP package.



### ABSOLUTE MAXIMUM RATINGS (Ta=25°C, Voltages referred to pin 22)

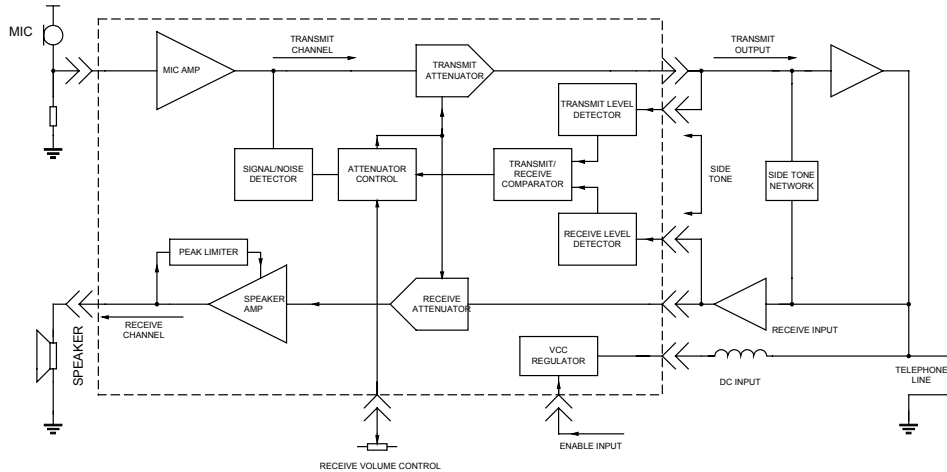
PARAMETER	VALUE	UNIT
V+ terminal Voltage (pin 16)	+12,-1.0	V
$\overline{CS}$ (pin 18)	+12,-1.0	V
Speaker amplifier Ground (pin 14)	+3.0,-1.0	V
VLC (pin 24)	+VCC,-1.0	V
Storage temperature	-65 ~ +150	°C

### RECOMMENDED OPERATION CONDITIONS

PARAMETER	VALUE	UNIT
V+ Terminal Voltage (pin 16)	+6.0 to +11	V
$\overline{CS}$ (pin 18)	0 to +11	V
Icc (pin 20)	0 to 3.0	mA
VLC (pin 24)	0.55VB to VB	V
Receive Signal (pin 27)	0 to 250	mVrms
Microphone Signal (pin 9)	0 to 5.0	mVrms
Speaker Amplifier Ground (pin 14)	-10 to +10	mVdc
Ambient Temperature	-20 to +60	°C

# UTC MC34018 LINEAR INTEGRATED CIRCUIT

## BLOCK DIAGRAM



## PIN CONFIGURATIONS

PIN	NAME	DESCRIPTION
1	RR	A resistor to ground provides a reference current for the transmit and receive attenuators
2	RTX	A resistor to ground determines the nominal gain of the transmit attenuator, the transmit channel gain is inversely proportional to RTX resistance.
3	TXI	Input to the transmit attenuator. Input resistance is nominally 5.0k ohms.
4	TXO	Output of the transmit attenuator. The TXO output signal drives the input of transmit level detector, as well as the external circuit which drives the telephone line.
5	TLI	Input of the transmit level detector. An external resistor ac coupled to The TLI pin sets the detection level. Decreasing this resistor increases the sensitivity to transmit channel signals.
6	TLO	Output of the transmit level detector. The external resistor and capacitor set the time the comparator will hold the system in the transmit mode after speech ceases.
7	RLI	Input of the receive level detector. An external resistor ac coupled to The RLI pin sets the detection level. Decreasing this resistor increases the sensitivity to receive channel signals.
8	RLO	Output of the receive level detector. The external resistor and capacitor set the time the comparator will hold the system in the receive mode after speech ceases.
9	MCI	Microphone amplifier input. Input impedance is nominally 10k ohms and the dc bias voltage is approximately equal to VB
10	MCO	Microphone amplifier output. The MIC amp gain is internally set at 34dB(50V/V).
11	CP1	A parallel resistor and capacitor connected between this pin and VCC holds a voltage corresponding to the background noise level. The transmit detector compares the CP1 voltage with the speech signal from CP2.
12	CP2	A capacitor at this pin peak detects the speech signals for comparison with the background noise level held at CP1.
13	XDI	Input to the transmit detector system. The microphone amplifier output is ac coupled to the XDI pin through an external resistor.

# UTC MC34018 LINEAR INTEGRATED CIRCUIT

(continued)

PIN	NAME	DESCRIPTION
14	SKG	High current ground pin for the speaker amplifier output stage. The SKG voltage should be within 10mV of the ground voltage at pin 22.
15	SKO	Speaker amplifier output. The SKO pin will source and sink up to 100mA when ac coupled to the speaker. The speaker amplifier gain is internally set at 34dB(50V/V).
16	V+	Input DC supply voltage. V+ can be powered from Tip and Ring if an ac decoupling inductor is used to prevent loading ac line signals. The required V+ voltage is 6.0V to 11V(7.5V nominal ) at 7.0mA.
17	AGC	A capacitor from this pin to VB stabilizes the speaker amplifier gain control loop, and additionally controls the attack and decay time of this circuit. The gain control loop limits the speaker amplifier input to prevent clipping at SKO. The internal resistance at AGC pin is nominally 110k ohms.
18	$\overline{CS}$	Digital chip select input. When at a logic "0" (<0.7V) the VCC regulator is enabled. When at a logic "1" (>1.6V), the chip is in the standby mode drawing 0.5mA. An open $\overline{CS}$ pin is a logic "0". Input impedance is nominally 140k ohms. The input voltage should not exceed 11V.
19	SKI	Input to the speaker amplifier. Input impedance is nominally 20k ohms.
20	VCC	A 5.4V regulated output which powers all circuits except the speaker amplifier output stage. VCC can be used to power external circuitry such as a microprocessor(3.0mA max.) A filter capacitor is required. The UTC MC34018 can be powered by a separate regulated supply by connecting V+ and VCC to a voltage between 4.5V and 6.5V while maintaining $\overline{CS}$ at a logic "1".
21	VB	An output voltage equal to approximately VCC/2 which series as an analog ground for the speakerphone system. Up to 1.5mA of external load current may be sourced from VB. Output impedance is 250 ohms. A filter capacitor is required.
22	GND	Ground pin for the IC(except the speaker amplifier)
23	XDC	Transmit detector output. A resistor and capacitor at his pin hold the system in the transmit mode during pauses between words or phrases. When the XDC pin voltage decays to ground, the attenuators switch from the transmit mode to idle mode. The internal resistor at XDC is nominally 2.6k ohms(see fig.1).
24	VLC	Volume control input>connecting this pin to the slider of a variable resistor provides receive mode volume control. The VLC pin voltage should be less than or equal to VB.
25	ACF	Attenuator control filter. A capacitor connected to this pin reduces noise transient as the attenuator control switches level of attenuation.
26	R XO	Output of the receive attenuator. Normally this pin is ac coupled to the input of the speaker amplifier.
27	R XI	Input of the receive attenuator. Input impedance is nominally is 5.0k ohms.
28	R RX	A resistor to ground determines the nominal gain of the receive attenuator. The receive channel gain is directly proportional to the R RX resistance.

## ELECTRICAL CHARACTERISTICS(referred to fig. 1)

PARAMETER	SYMBOL	MIN	TYP	MAX	UNIT
<b>SUPPLY VOLTAGES</b>					
V+ Supply Current V+=11V, Pin 18=0.7V V+=11V, Pin 18=1.6V	Iv+			9.0 800	mA $\mu$ A
VCC Voltage(V+=7.5V) Line	Vcc $\Delta V_{ccLN}$	4.9	5.4 65	5.9 150	Vdc mV
Regulation(6.5V<V+<11V) Output Resistance(Icc=3mA) Dropout Voltage(V+=5.0V)	RoVcc Vccsat		6.0 80	20 300	ohms mV
VB Voltage(V+=7.5V) Output Resistance(Ib=1.7mA)	Vb Rovb	2.5	2.9 250	3.3	Vdc ohms

# UTC MC34018 LINEAR INTEGRATED CIRCUIT

(continued)

PARAMETER	SYMBOL	MIN	TYP	MAX	UNIT
<b>ATTENUATORS</b>					
Receive Attenuator Gain(1.0kHz) Rx Mode, Pin 24= VB, Pin 27 = 250mVrms	GRX	2.0	6.0	10	dB
Range (Rx to Tx Modes)	ΔGRX	40	44	48	dB
Idle Mode, Pin 27= 250mVrms	GRI	-20	-16	-12	dB
RXO Voltage (Rx Mode)	VRXO	1.8	2.3	3.2	mV
Delta RXO Voltage (Switch from Rx to Tx Mode)	ΔVRXO			100	mV
RXO Sink Current (Rx mode)	IRXOL	75			μA
RXO Source Current (Rx mode)	IROXH	1.0		3.0	mA
RXI Input Resistance	RRXI	3.5	5.0	8.0	kΩ
Volume Control Range (Rx Attenuator Gain, Rx Mode, 0.6VB<Pin 24<VB	VCR	24.5		32.5	dB
<b>ATTENUATORS</b>					
Transmit Attenuator Gain (1.0kHz) Tx Mode, Pin 3 = 250mVrms	GTX	4.0	6.0	8.0	dB
Range, (Tx to Rx Mode)	ΔGTX	40	44	48	dB
Idle Mode, Pin 3 = 250mVrms	GTXI	-16.5	-13	-8.5	dB
TXO Voltage (Tx mode)	VTXO	1.8	2.3	3.2	Vdc
Delta TXO Voltage (switch from Tc to Rx Mode)	ΔVTXO			100	mV
TXO Sink Current (Tx mode)	ITXOL	75			μA
TXO Source Current (Tx mode)	ITXOH	1.0		3.0	mA
TXO Input Resistance	RTXI	3.5	5.0	8.0	kΩ
ACF Voltage (VCC-Pin 25 Voltage)	ΔVACF				
Rx Mode			150		mV
Tx Mode			6.0		mV
Idle Mode			75		mV
<b>SPEAKER AMPLIFIER</b>					
Speaker Amp Gain (pin 19 = 20mVrms)	GSPK	33	34	35	dB
SKI Input Resistance	RSKI	15	22	37	kΩ
SKO Voltage ( Pin 19 =Cap couple to GND)	VSKO	2.4	3.0	3.6	Vdc
SKO High Voltage ( Pin 19 = 0.1V, -100mA Load at Pin 15)	VSKOH	5.5			Vdc
SKO Low Voltage (pin 19=0.1V, +100mA Load at Pin 15)	VSKOL			600	mV
<b>MICROPHONE AMPLIFIER</b>					
Microphone Amp Gain ( Pin 9 = 10mVrms,1KHz)	GMCI	32.5	34	35	dB
Microphone Amp Input Resistance	RMCI	6.5	10	16	kΩ

# UTC MC34018 LINEAR INTEGRATED CIRCUIT

(continued)

PARAMETER	SYMBOL	MIN	TYP	MAX	UNIT
<b>LOGAMPS</b>					
RLO Leakage Current (Pin 8 = VB+1.0V)	ILKRLO			2.0	μA
TLO Leakage Current (Pin 6 = VB+1.0V)	ILKTLO			2.0	μA
Transmit-Receive Switching Threshold (Ratio of I <sub>TLI</sub> to I <sub>RLI</sub> - at 20μA - to Switch Tx-Rx Comparator)	ITH	25			
<b>TRANSMIT DETECTOR</b>					
XDC Voltage Idle Mode	V <sub>XDC</sub>		0		V <sub>dc</sub>
Tx Mode			4.0		V <sub>dc</sub>
CP2 Current Source	ICP2	5.0	10	13	μA
<b>Distortion</b>					
Rx Mode RXI to SKO (pin 27 = 10mVrms,1KHz)	RxD		1.5		%
Tx Mode MCI to TXO (Pin 9 = 5mVrms,1KHz)	TxD		2.0		%

Note 1: V<sub>+</sub>=7.5V,  $\overline{CS}$ =0.7V except where noted.

Note 2: Rx mode: pin7=-100μA, pin5=+100μA, except where noted.

Tx mode: pin 5,13=-100μA, pin 7=+100μA, pin 11=0V.

Idle mode: Pin 5=-100μA, pin 7,13=+100μA.

Note 3: Current into a pin designed as +, current out of a pin designed -;

Note 4: Voltage referred to pin 22, T<sub>amb</sub>=25°C.

## TEMPERATURE CHARACTERISTICS(-20 TO +60°C)

PARAMETER	PIN	TYP CHANGE	UNIT
V <sub>+</sub> Supply Current ( V <sub>+</sub> 11V, Pin 18 = 0.7V )	16	-0.2	%/°C
V <sub>+</sub> Supply Current(V <sub>+</sub> 11V, Pin 18 = 1.6V )	16	-0.4	%/°C
VCC Voltage( V <sub>+</sub> = 7.5V )	20	+0.1	%/°C
Attenuator Gain ( Max and Min Setting )		+0.003	dB/°C
Delta RXO, TXO Voltage	4,26	+0.24	%/°C
Speaker AMP Gain	15,19	+0.001	dB/°C
Microphone AMP Gain	9,10	+0.4	dB/°C
Microphone Amp Input Resistance	9	+0.4	%/°C
Tx-Rx Switching Threshold (20μA)	5,7	+0.2	nA/°C

## DESIGN GUIDELINES(REF TO FIG. 1)

### ATTENUATORS

The transmit and receive attenuators are complementary in function, i.e., when one is at maximum gain the other is at maximum attenuator, and vice versa. They are never both on or both off. Their main purpose is to control the transmit and receive paths to provide the half-duplex operation required of a speaker-phone. The attenuators are controlled solely by the voltage at the ACF pin(pin 25).The ACF voltage is provided by the attenuator control block,

# UTC MC34018 LINEAR INTEGRATED CIRCUIT

which receives 3 inputs: a) the Rx-Tx comparator, b) the transmit detector comparator, and c) the volume control. The response of the attenuators is based on the difference of the ACF voltage from VCC, and therefore a simple method for monitoring the circuit operation is to monitor this voltage difference (referred to as  $\Delta V_{acf}$ ). If  $\Delta V_{acf}$  is approximately 150 millivolts the circuit is in the receive mode. If  $\Delta V_{acf}$  is approximately 75 millivolts the circuit is in the idle mode, and two attenuators are at gain setting approximately half way (in dB) between their fully on and fully off positions.

The maximum gain and attenuation values are determined by the three resistors RR, RTX, RRX (referred to Fig 2,3,4). RR affects both attenuators according to its value RELATIVE to RTX and RRX, which is why Fig 4 indicates the variations versus the ratio of the other resistors to RR. (GRX and GTX are the maximum gains, and ARX and ATX are maximum attenuations). RTX affects the gain and attenuator according to Fig 3. As can be seen from the figures, the gain difference (from on to off) is a reasonably constant 45dB until the upper gain limit is approached. A value of 30K is recommended for RR as a starting point, and then RTX and RRX selected to suit the particular design goals.

The input impedance of the attenuators (at TXI and RXI) is typically 5.0k ohms, and the maximum input signal which will not cause output distortion is 250mVrms (707mVp-p). The 4300 ohms resistor and 0.01 $\mu$ Capacitor at RXO (in fig 1) filters out high frequency components in the receive path. This helps minimize high frequency acoustic feedback problems which may occur if the filter were not present. The filter's insertion loss is a 1.5dB at 1.0kHz. The outputs of the attenuators are inverted from their inputs.

Referring to the attenuator control block, the  $\Delta V_{acf}$  voltage at its output is determined by three inputs. The relationship of the inputs and outputs is summarized in the following truth table.

TX-RX COMP	TRANSMIT DET COMP	VOLUME CONTROL	$\Delta V_{ACF}$	MODE
Transmit	Transmit	No Effect	6.0mV	Transmit
Transmit	Idle	No Effect	75mV	Idle
Receive	Transmit	Affects $\Delta V_{acf}$	50-150mV	Receive
Receive	Idle	Affects $\Delta V_{acf}$	50-50mV	Receive

As can be seen from the truth table, the Tx-Rx comparator dominates. The transmit detector comparator is effective only in the receive mode.

The Tx-Rx comparator is in the transmit position when there is sufficient transmit signal present over and above any receive signal. The transmit detector comparator then determines whether the transmit signal is a result of background noise (a relatively stable signal), or speech which consists of bursts. If the signal is due to background noise, the attenuators will be put into the idle mode ( $\Delta V_{acf}=75mV$ ). If the signal consists of speech, the attenuator will be switched to the transmit mode ( $\Delta V_{acf}=6.0mV$ ). A further explanation of this function will be found in the section on the transmit detector circuit.

The Rx-Tx Comparator is in the receive position when there is sufficient receive signal to overcome the background noise AND any speech signals. The  $\Delta V_{acf}$  voltage will now be 150mV IF the volume control is at the maximum position, i.e. VLC (pin 24)=VB. If VLC is less than Vb, the gain of the receive attenuator, will vary in a complementary manner as shown in fig 5. It can be seen that at the minimum recommended operating level (VLC=0.55VB) the gain of the transmit attenuator is actually greater than that of the receive attenuator. The effect of varying VLC is to vary  $\Delta V_{acf}$ , with a resulting variation in the gains of the attenuators, Fig 6 shows the gain variation with  $\Delta V_{acf}$ .

The capacitor at ACF (pin 25) smoothes the transition between operating modes. This keeps down any "clicks" in the speaker or transmit signal when the ACF voltage switches.

The gain separation of the two attenuators can be reduced from the typical 45dB by adding a resistor between pin 20 (VCC) and pin 25 (ACF). The effect is a reduction of the maximum  $\Delta V_{acf}$  voltage in receive mode, while not affecting  $\Delta V_{acf}$  in the transmit mode. As an example, adding a 12 k ohms resistor will reduce  $\Delta V_{acf}$  by approximately 15mV (to 135mV), decrease the gain of the receive attenuator by approximately 5.0dB, and increase the gain of the transmit attenuator by a similar amount. If the circuit requires the receive attenuator gain to be +6.0dB in the receive mode, RRX must be adjusted (to 27k ohms) to re-establish this value. This change will also increase the receive attenuator gain in the transmit mode by a similar amount. The resistor at TLI may also require changing to reset the sensitivity of the transmit level detector.

# UTC MC34018 LINEAR INTEGRATED CIRCUIT

---

## LOG AMPLIFIERS(Transmit and Receive level Detectors)

The log amps monitor the levels of transmit and receive signal, so as to tell the Tx-Rx comparator which mode should be in effect. The input signals are applied to the amplifiers(at TLI and RLI) through AC coupling capacitors and current limiting resistors. The value of these components determines the sensitivity of the respective amplifiers, and has an effect on the switching times between transmit and receive modes. The feedback elements for the amplifier are back-to-back diodes which provide a logarithmic gain curve, thus allowing operation over a wide range of signal levels. The outputs of the amplifiers are rectified, having a quick rise time and a slow decay time. The rise time is determined by the external resistor and capacitor, and is on the order of a fraction of a second. The switching time is not fixed, but depends on relative values of the transmit and receive signals, as well as these external components. Fig 7 indicates the DC transfer characteristics of the log amps, and Fig 8 indicates the transfer characteristics with respect to an AC input signal the DC level at TLI,RLI,TLO, and RLO is approximately VB.

The Tx-Rx comparator responds to the voltages at TLO and RLO, which in turn are functions of the currents sourced out of TLI and RLI, respectively. If an offset at the comparator input is desired, e.g. to prevent noise from switching the system, or to give preference to either the transmit or receive channel, this may be achieved by biasing the appropriate input(TLI or RLI).A resistor to ground will cause a DC current to flow out of that input, thus forcing the output of that amplifier to be biased slightly higher than normal. This amplifier then becomes the preferred one in the system operation. Resistor values from 500k to 10M ohms are recommended for this purpose.

## SPEAKER AMPLIFIER

The speaker amplifier has a fixed gain of 34dB(50V/V),and is noninverting. The input impedance is nominally 22 k ohms as long as the output signal is below that required to activate the peak limiter. The Fig 9 indicates the typical output swing available at SKO(pin 15).Since the output current capability is 100mA,the lower curve is limited to 1 5.0Volt swing. The output impedance depends on the output signal level and is a relatively low as long as the signal level is not near maximum limits. At 3 Vp-p the output impedance is less than 0.5 ohms, and at 4.5Vp-p it is less than 3 ohms. The output is short circuit protected at approximately 300 mA.

When the amplifier is over driven, the peak limiter causes a portion of the input signal to be shunted to ground, in order to maintain a constant output level. The effect is that of a gain reduction caused by a reduction of the input impedance (at SKI) to a value not less than 2.0k ohms.

The capacitor at pin 17(AGF) determines the response time of the peak limiter circuit. When a large input signal is applied to SKI, the voltage at AGC(pin 17) will drop quickly as a current source is applied to the external capacitor. When the large input signal is reduced, the current source is turned off, and an internal 110k ohms resistor discharges the capacitor so that the voltage at AGC can return to its normal value(1.9Vdc).The capacitor additionally stabilizes the peak limiting feedback loop.

If there is a need to mute the speaker amplifier without disabling the rest of the circuit, this may be accomplished by connecting a resistor from the AGC pin to GND.A 100k ohms resistor will reduce the gain by 34dB (0dB from SKI To SKO), and a 10k ohms resistor will reduce the gain by almost 50dB.

## TRANSMIT DETECTOR CIRCUIT

The transmit detector circuit, also known as the background noise monitor, distinguishes speech(which consists of bursts) from the background noise( a relatively constant signal).It does this by storing a voltage level, representative of the average background noise, in the capacitor at CP1(pin 11).The resistor and capacitor at this pin have a time constant approximately 5 second(in fig 1).The voltage at pin 1 is applied to the inverting input of the transmit detector comparator. In the absence of speech signal, the noninverting input receiving the same as voltage level minus an offset of 36mV.In this condition, the output transistor turned off, and the voltage at XDC(pin 23) will be at GND. If the Tx-Rx comparator is in the transmit position, the attenuators will be in the idle mode( $\Delta V_{acf}=75mV$ ). When speech is presented to the microphone, the signal burst appearing at XDI reaches the noninverting input of the transmit detector comparator before the voltage at the inverting input can change, causing the output to switch high, driving the voltage at XDC up to approximately 4Volts.This high level causes the attenuator control block to switch the attenuators from the idle mode to the transmit mode(assuming the Tx-Rx comparator is in the transmit mode).As long as the speech continues to arrive, and is maintained at a level above the background, the voltage at XDC will be maintained at a high level, and the circuit will remain in transmit mode. The time constant of the

# UTC MC34018 LINEAR INTEGRATED CIRCUIT

components at XDC will determine how much time the circuit requires to return to the idle mode after the cessation of microphone speech signals, such as occurs during the normal pauses in speech.

The series resistor and capacitor at XDI(pin 13) determine the sensitivity of the transmit detector circuit. Fig 10 indicates the change in DC voltage levels at CP2 and CP1 in response to a steady state sine wave applied at the input of 0.068 $\mu$ F capacitor and 4700 ohms resistor( the voltage change at CP1 is 2.7 times greater than the change at P2).Increasing the resistor, or lowering the capacitor, will reduce the response at these pins. The first amplifier(between XDI and CP2) is logarithmic in order that this circuit be able to handle a wide range of signal levels(or in other words, it responds equally well to people who talk quietly and to people who shout).Fig 7 indicates the DC transfer characteristic of the log amp.

Fig 11 indicates the response at Pins 11,12, and 23 to a varying signal at the microphone. The series of events in Fig 11 is as follows:

- 1) CP2 follows the peaks of speech signals, and decays at a rate determined by the 10 $\mu$ A current source and the capacitor at this pin.
- 2) CP1 increases at a rate determined by the RC at this pin after CP2 has made a positive transition. It will follow the decay pattern of CP2.
- 3) The noninverting input of the transmit detector comparator follows CP2, gained up by 2.7, and reduced by an offset of 36mV.This voltage, compared to CP1, determines the output of the comparator.
- 4) XDC will rise quickly to 4Vdc in response to a positive transition at CP2, but will decay at a rate determined by the RC at this pin. When XDC is above 3.25Vdc, the circuit will be in transmit mode. As it decays towards GND, the attenuators are taken to the idle mode.

## MICROPHONE AMPLIFIER

The microphone amplifier is noninverting, has an internal gain of 34db(50V/V), and a nominal input impedance of 10k ohm. The output impedance is typically less than 15 ohms. The maximum p-p voltage swing available at the output is approximately more than what is required in most applications. The input at MCI should be AC coupled to the microphone so as to not upset the bias voltage. Generally, microphone sensitivity may be adjusted by varying the 2K microphone bias resistor, rather than by attempting to vary the gain of the amplifier.

## POWER SUPPLY

The voltage supply for the UTC MC34018 at V+ should be in the range of 6.0 to 11 Volts, although the circuit will operate down to 4.0Volts>the voltage can be supplied either from TIP and RING, or from a separate supply. The required supply current, with no signal to the speaker, is shown in Fig 11. The upper curve indicates the normal operating current when  $\overline{CS}$  is at a logic "0".Fig 13 indicates the average Dc current required when supplying various power levels to a 25 ohms speaker. Fig 13 also indicates the minimum supply voltage required to provide the indicated power levels. The peak in power supply current at 5.0-5.0 volts occurs as the VCC circuit comes into regulation.

It is imperative that the V+ supply be a good AC GND for stability reasons. If this pin is not well filtered( by a 1000  $\mu$  F capacitor at the IC), any variation at V+ caused by the required speaker current flowing through this pin can cause a low frequency oscillation. The result is usually that the circuit will cut the speaker signal on and off at the rate of a few hertz. Experiments have shown that only a few inches of wire between the capacitor is not physically adjacent to the IC. It is equally imperative that both ground pins(pin 14 and 22) have a low loss connection to the power supply ground.

## VCC

VCC is a regulated output voltage of 5.4+-0.5 volts. Regulation will be maintained as long as V+ is typically 80 mV greater than the regulated value of VCC. Up to 3 milliamps can be sourced from this supply for external use. The output impedance is less than 20 ohms.

The 47 $\mu$ F capacitor indicated for connection to pin 20 is essential for stability reasons, It must be located adjacent to the IC.

If the circuit is deselected (see section on chip select), the VCC voltage will go to 0 volts.



# UTC MC34018 LINEAR INTEGRATED CIRCUIT

If UTC MC34018 is to be powered from a regulated supply( not the Tip and Ring lines) of less than 6.5 volts, the configuration of Fig 14 may be used so as to ensure to that VCC is regulated<the regulated voltage is applied to both V+ and VCC, with  $\overline{CS}$  held at a logic "1" so as to turn off the internal regulator( the Chip Select function is not available when the circuit is used in this manner).Fig 15 indicates the supply current used by the configuration, with no signal at the speaker. When a signal is sent to the speaker, the curves of Fig 13 apply.

## VB

VB is a regulated output voltage with a nominal value of 2.9 +0.4volts.It is derived from VCC and tracks it, holding a value of approximately 54% of VCC.1.5milliamps can be sourced from this supply at a typical output impedance of 250 ohms.

The 47 $\mu$ F capacitor indicated for connection to the VB pin is required for stability reasons, and must be adjacent to the IC.

If the circuit is deselected(see section on Chip Select), the VB voltage will go to 0 Volts.

## CHIP SELECT

The  $\overline{CS}$  pin allows the chip to be powered down anytime its functions are not required. A logic "1" level in the range of 1.6V to 11V deselects the chip and the resulting supply current (at V+) is shown in Fig 12.The input resistance at pin  $\overline{CS}$  is greater than 75 k ohms. The VCC and VB regulated voltage go to 0 volts when the chip is deselected. Leaving Pin 18 open is equivalent to a logic "0"(chip enabled).

## SWITCH TIME

The switch time of the speakerphone circuit depend not only the various external components, but also on the operating condition of the circuit at the time a change os taken effect. For example, the switching time from idle to transmit is generally quicker than the switching time from receive to transmit(or transmit to receive).

The components which most significantly affect the timing between the transmit and receive modes are those at pins 5 (transmit turn-on),6(transmit turn-off),7(receive turn -on),8(receive turn off).These four timing functions are not independent, but interact since the Tx-Rx comparator operates on a relative Tx-Rx comparison, rather than on absolute value. The components at pins 11,12,13,23 affect the timing from the transmit mode to the idle mode. Timing from the idle mode to transmit mode is relatively quick(due to the quick charging of the various capacitors),and is not greatly affected by the component values. Pin 5-8 do not affect the idle to transmit timing since the Tx-Rx comparator must already be in the transmit mode for this to occur.

The following table provides a summary of the effect on the switching time of the various components, including the volume control:

COMPONENTS	TX TO RX	RX TO TX	TX TO IDLE
RC@pin5	Moderate	Significant	No effect
RC@pin6	Significant	Moderate	No effect
RC@pin7	Significant	Moderate	No effect
RC@pin8	Moderate	Significant	No effect
RC@pin11	No effect	Slight	Moderate
C@pin12	No effect	Slight	Significant
RC@pin13	No effect	Slight	Slight
RC@pin23	No effect	Slight	Significant
V@pin24	No effect	Moderate	No effect
C@pin25	Moderate	Moderate	Slight

Additionally ,the following should be noted:

- 1) RCs at pin 5 and 7 have a dual function in that they affect the sensitivity of the respective log amplifiers, or in other words, how loud the speech must be in order to gain control of the speaker phone circuits.
- 2) The RC at pin 13 also has a dual function in that it determines the sensitivity of the transmit detector circuit.
- 3) The volume control affects the switching speed, and the relative response to the transmit signals, in following manner: when the circuit is in the receive mode, reducing the volume control setting increases the signal at TXO, and consequently the signal to the TLI pin. Therefore a given signal at TXI will switch the circuit into the transmit mode quicker at low volume settings.

All of the above mentioned times will change significantly by varying the amplitude of the input signals, as well

# UTC MC34018 LINEAR INTEGRATED CIRCUIT

as by varying the external components.

## APPLICATIONS INFORMATION

The UTC MC34018 speakerphone IC is designed to provide the function additionally required when a speakerphone is added to a standard telephone. The IC provides the necessary relative level detection and comparison of the speech signals provided by the talkers at the speakerphone (near end speaker) and at the distant telephone (far end speaker).

The UTC MC34018 is designed for use with an electret type microphone a 25 ohms speaker, and has an output power capability of 100mW. All external components surrounding this device are passive, however, this IC does require additional circuitry to interface the Tlp and Ring telephone lines. Two suggested circuits are shown in the data sheet.

Fig 16 depicts a configuration which does not include a handset, dialer, or ringer. The only controls are S1 (to make the connection to the line), S2 (a "privacy" switch), and the volume control. It is meant to be used in parallel with a normal telephone which has dialing and ringing functions.

Fig 17 depicts a means of providing logic level signal that indicate which mode of operation the UTC MC34018 is in. Comparator A indicates whether the circuit is in receive or transmit mode and comparator B indicates (when in transmit/idle mode) whether the circuit is in the transmit or idle mode. The UTC LM393 dual comparator is chosen because of its low current requirement (<1.0mA), low voltage requirement (as low as 2.0volts), and low cost.

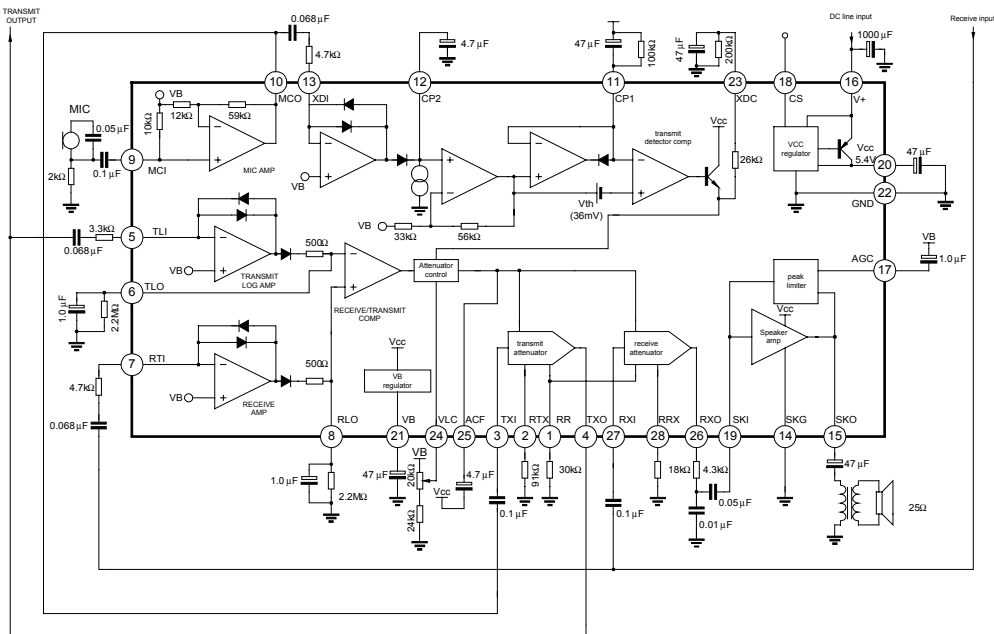


Fig 1 Test circuit

# UTC MC34018 LINEAR INTEGRATED CIRCUIT

Fig 2 Transmit attenuator versus RTX

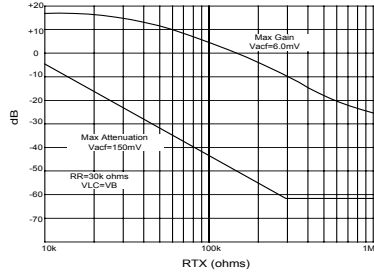


Fig 3 Receive attenuator versus RRX

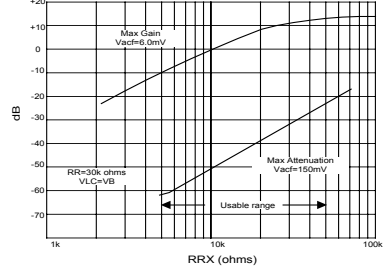


Fig 4 Gain and attenuation versus Resistor Ratio

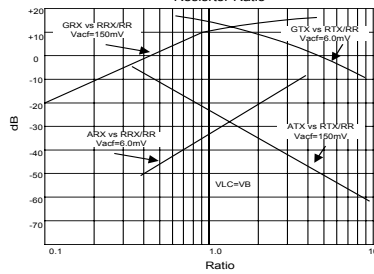
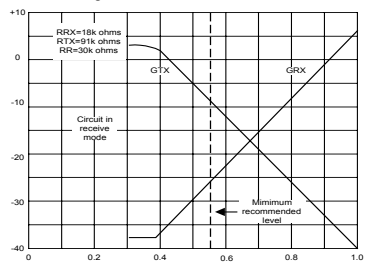


Fig 5 Attenuation Gain versus VLC



# UTC MC34018 LINEAR INTEGRATED CIRCUIT

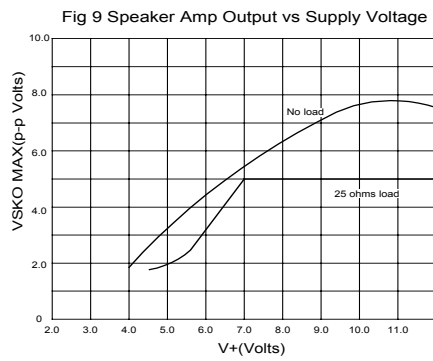
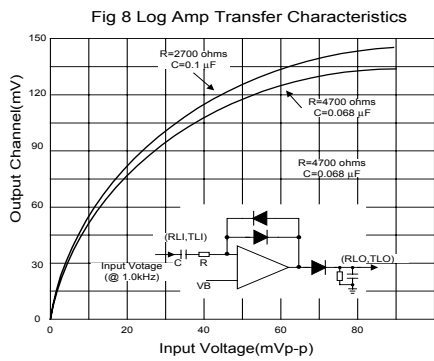
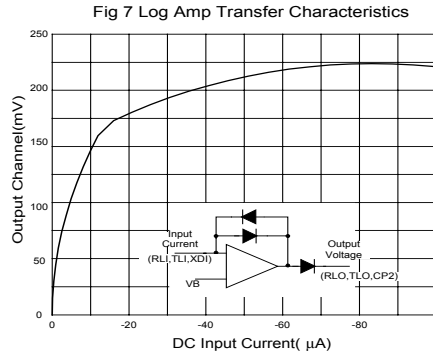
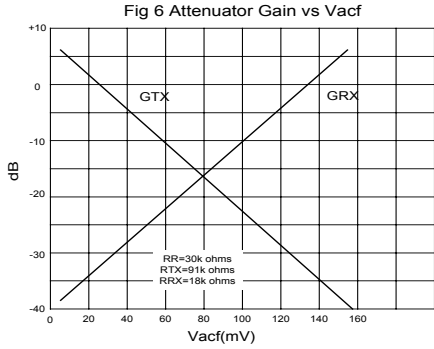
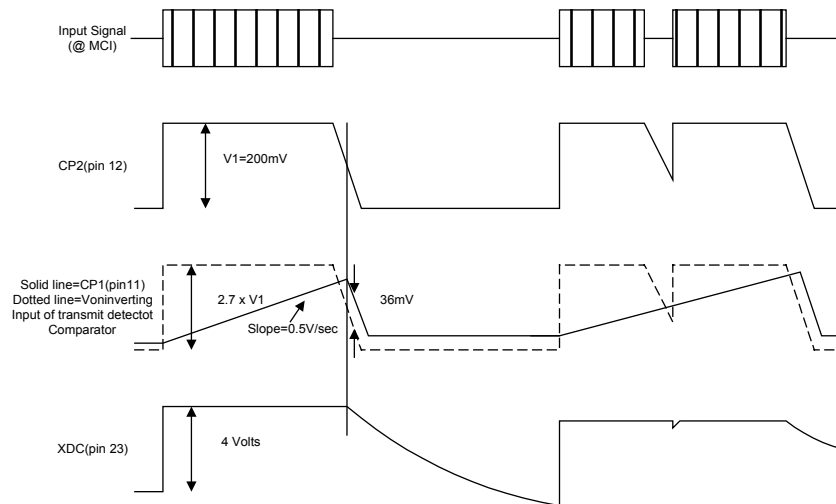


Fig 11 Transmit Detector operation



# UTC MC34018 LINEAR INTEGRATED CIRCUIT

Fig 10 Response At CP1 and CP2

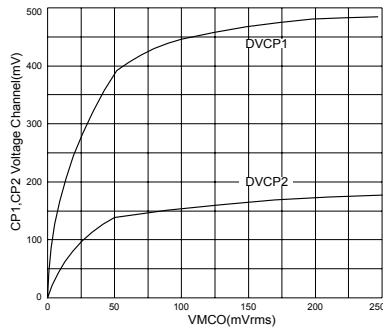


Fig 12 Supply Current vs Supply Voltage

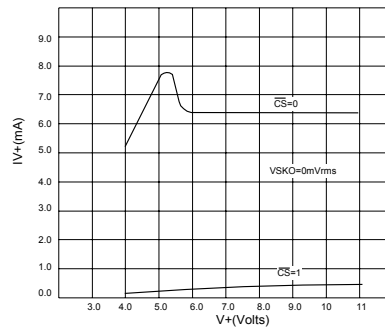


Fig 13 Supply Current vs Supply Voltage vs Speaker Power

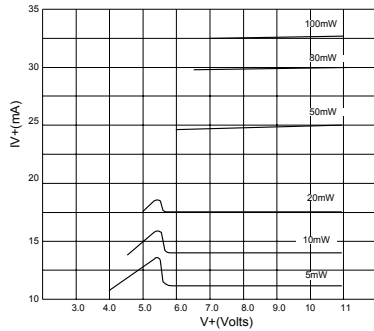


Fig 15 Supply Current vs Supply Voltage

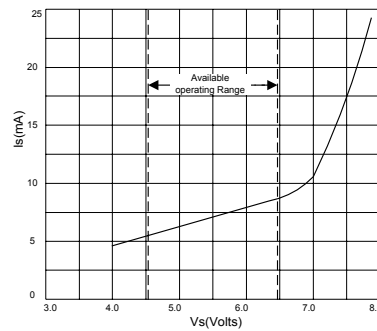


Fig 14 Alternate Power supply Configuration

