

MFC1000

Device Set

The Conexant™ MFC1000 Device Set hardware consists of the Conexant MFC1000 Controller and a Conexant MONOFAX Modem device. This device set, along with the supporting firmware and evaluation system, comprises a complete Multifunctional Peripheral system—needing only a power supply, scanner, and printer mechanism components to complete the machine. The models available are listed in Table 1. A system-level block diagram using the MFC1000 Engine is shown in Figure 1.

Integrated MFC1000 Controller

The Integrated MFC1000 controller provides the majority of the electronics necessary to build a plain paper based MFP integrated into a one-chip solution. An ARM7 CPU, 1284 parallel port interface, Flash memory/DRAM controller, resolution conversion, inkjet data formatter, and external inkjet or laser printing interface allows full printer functionality. In addition, the controller performs primary facsimile control/monitoring and compression/decompression functions, interfacing with major fax machine components like the scanner, modem, motors, and operator control panel. The ARM7TDMI embedded processor provides an external 48 MB direct memory accessing capability. An integrated Pipeline ADC combined with Rockwell Image Processing Scheme (RIPS®), provides state of the art image processing performance on both text and half-tone images.

The MFC1000 Engine provides the hardware and software necessary to develop a Multifunctional Peripheral including architecture for printing, faxing, scanning, and copying. It also supports many of these operations occurring simultaneously.

Two configurations were analyzed for concurrency capabilities as following

Printing	Fax	Scanning	Concurrency
360x360 dpi Mono Inkjet 7ppm	14.4 Kbps MMR	300 dpi 8 bit/pixel	Full Dual Access
720x720 dpi Mono Inkjet 7ppm	14.4 Kbps MMR	400 dpi 8 bit/pixel	Full Dual Access
Dual access defined as the ability to receive a fax while performing any single function			

MONOFAX Modems

Several MONOFAX modems are available for use with the MFC1000 controller. Each is dependent on the communication applications desired.

The FM209 and FM214 modems support V.29 and V.17 facsimile transmission and reception respectively. These modems also support integrated digital answering machine functions by including a voice codec that yields up to 24 minutes of voice storage per 4 Mbits of memory. These modems also optionally support full-duplex speakerphone features for hand-free applications using an external Integrated Analog (IA) device. The FM336 modem supports Group 3 facsimile send and receive speeds up to 33600 bps using V.34 half-duplex mode.

Distinguishing Features

- Microprocessor and Bus Interface
 - ARM7TDMI central processing unit (CPU)
 - Up to 40 MHz CPU clock speed
 - Memory efficient input/output bit manipulation
 - External Bus
 - Address, data, control, status, interrupt, and decoded chip select signals support connection to external ROM, external RAM, and optional peripheral devices
 - 26-bit external address bus, 16-bit data bus
 - Chip selects
 - ROMCSn for ROM support, interleave access supported
 - CS0n for SRAM
 - CS1n for external peripherals
 - MCSn for modem
 - Optional general purpose: CS2n-CS5n
 - Cache Controller
 - 1 K instruction cache
 - 16-bytes cache line size with 32 cache lines each way
 - Two-way set associative with LRU algorithm
 - DRAM Controller
 - Two banks with programmable bank size
 - Up to 16 MB per bank supported
 - Organizations supported: 4, 8 or 16-bit
 - Single and page mode access support
 - Battery backup refresh with separate battery power
 - Only CAS-before-RAS refresh is supported
 - Interleave access modes are supported
 - FLASH Memory Controller
 - NAND and NOR-types are supported
 - Up to 2 MB of NOR FLASH memory
 - DMA Controller
 - Eight dedicated internal DMA channels for T.4/T.6 access, parallel IO, and data formatting access of memory
 - External DMA channel (DMA Channel 2)

MFC1000 Device Set

- Supports data transfer to an external peripheral device, (a printer engine controller)
- Reconfigurable DMA channel (DMA Channel 0)
- Can be programmed as internal or external
- Supports data transfer from scanner or external image processing device
- External RAM/FLASH memory up to 44 MB
- External ROM, up to 4 MB
- 4 MB or memory space reconfigurable and can be assigned either to ROM space or to RAM space
- Interrupt controller
- 12 internal peripheral interrupts
- One software interrupt
- Four external interrupts
- Parallel IO Interface
 - IEEE 1284 compatible peripheral parallel I/O port
 - Compatibility, nibble, byte, and ECP modes supported
- Autobaud Interface
 - Automatically detects data rate for external UART
- Synchronous Receiver Transmitter (SOPIF) Interface
- Synchronous/Asynchronous Receiver Transmitter (SASIF) Interface
- T.4/T.6 Compression and Decompression in hardware
 - MH/MR/MMR
 - Alternating Compression/Decompression (ACD)
- Scanner Stepper Motor Control
 - Four outputs are provided to external current drivers for the scanner stepper motor
 - Programmable for acceleration/deceleration
- Scanner and Video Control
 - CCD and CIS scanners supported
 - Six programmable control signals
 - B4/A4 scanner support
 - 2.5 ms minimum line time
 - Line lengths up to 4096 pixels
- Scanner Pipeline A/D Interface
 - Programmable Clamping, Analog Gain Control, and Sample/Hold circuits are built in
- Video Processing
 - Dark Level Correction (line-based)
 - Two modes of shading correction
 - Gamma correction and MTF
 - 2-D Error diffusion/Dithering, 2-D edge enhancement
 - Multi-level resolution conversion
- Bi-Level Resolution Conversion
 - Programmable bi-level resolution conversion block provides expansion or reduction on the T.4 decompressed data or any bi-level image data
- Programmable Image expansion up to 360% or reduction down to 33%
- Vertical line ORing
- Data output bit order reversal
- External printer interface supports inkjet or laser printers
- Bit Rotation Block supports mono and color inkjet printing systems
- Printer Vertical Stepper Motor
 - Four outputs to current driver
 - Programmable for acceleration/deceleration
- Operator Panel Module–Supported through the SOPIF interface
- Programmable Tone Generator
- General Purpose Inputs and/or Outputs
 - MFC1000 provides up to 15 GPIO and 8 GPO lines
 - FM209 and FM214 modems provide up to 8 GPIO and up to 5 GPI lines
- Real Time Clock with Battery Back Up
- Watchdog Timer
- Host Software
 - Fax transmit, receive, and copy from PC
 - Different printer language command emulation
 - GDI printing
- Modular MFC1000 Firmware
 - Real-time multitasking environment
 - Fax transmit, receive, and copy locally
 - T30 protocol
 - T.4/T.6 compression/decompression hardware support and control
 - Image expansion or reduction
 - Dual access operations
 - Page memory functions
 - Call progress support
- Compact packages
 - MFC1000: 208-pin PQFP
 - MONOFAX Modem: 100-pin PQFP

Information provided by Conexant Systems, Inc. is believed to be accurate and reliable. However, no responsibility is assumed by Conexant for its use, nor any infringement of patents or other rights of third parties which may result from its use. No license is granted by implication or otherwise under any patent rights of Conexant other than for circuitry embodied in Conexant products. Conexant reserves the right to change circuitry at any time without notice. This document is subject to change without notice.

Conexant and "What's Next in Communications Technologies" are trademarks of Conexant Systems, Inc.

Product names or services listed in this publication are for identification purposes only, and may be trademarks or registered trademarks of their respective companies. All other marks mentioned herein are the property of their respective holders.

©1999, Conexant Systems, Inc.

All Rights Reserved

MFC1000 Evaluation System (EVS)

The MFC1000 Evaluation System provides demonstration, prototype development, and evaluation capabilities to developers using the MFC1000 device set. The MFC1000 Evaluation System provides flexibility for visibility and access (plug-on board for the modem, sockets for programmable parts, and a connector for an emulator). Jumper options and test points are provided throughout the MFC EVS board. The MFC EVS is the most convenient environment for the developer needing to experiment with the various interfaces encountered in a MFC1000. The MFC EVS hardware, application code, and software drivers comprise a working multifunctional peripheral—requiring only a power supply to complete the machine. The system provides a PC with printing, scanning, and FAX transmit and receive capabilities. In addition, the unit works as a stand-alone FAX machine and convenience copier.

The MFC EVS hardware supports most of the optional capabilities of the MFC1000 device set, providing the peripheral manufacturer with a flexible platform for system development and evaluation. The supported modems can be interchanged by using the appropriate Conexant Modem Evaluation Board (MEB). The accompanying serial interface operator panel can be replaced with the manufacturer's own operator panel. Sockets are provided for the memory components. The various memory configurations are jumper selectable and test points are provided throughout the MFC EVS board.

MFC1000 Software Development Tools

The ARM software development tool kit along with ARM embedded ICE interface is available to support MFC1000 software/firmware development.

This package, which operates under Microsoft Windows 95 Operating System, includes an ANSI C Compiler, Macro Assembler, Linker/Locator, Librarian, and Source-Level Debugger for the ARM CPU. This provides the developer with extensive tools for code modifications and debugging.

The ARM Embedded ICE Interface is also available for debugging MFC1000 system firmware. The ARM debugger (part of the ARM Software Development Tool kit) on the PC communicates with the Embedded ICE Interface unit through a serial or parallel (optional) port. The Embedded ICE Interface translates the debug protocol messages from the PC into signals to drive the Embedded ICE of the MFC1000, through the JTAG port. The MFC1000 Embedded ICE consists of two real-time watchpoint units and a control and status register. One or both watchpoint units can be programmed to halt the execution of instructions when a match occurs between the values programmed into the watchpoint and the values currently appearing on the address bus, data bus, and various control signals.

Table 1. MFC1000 Family Options

MFP Engine Device Set	MONOFAX Modem	Modem Speed (bps)	DTAM Voice Storage (Minutes)	Full Duplex Speakerphone
MFE1209	FM209	9600	-	-
MFE1209-V	FM209-V	9600	24	-
MFE1209-VS	FM209-VS	9600	24	Yes
MFE1214	FM214	14400	-	-
MFE1214-V	FM214-V	14400	24	-
MFE1214-VS	FM214-VS	14400	24	Yes
MFE1336	FM336	33600	-	-

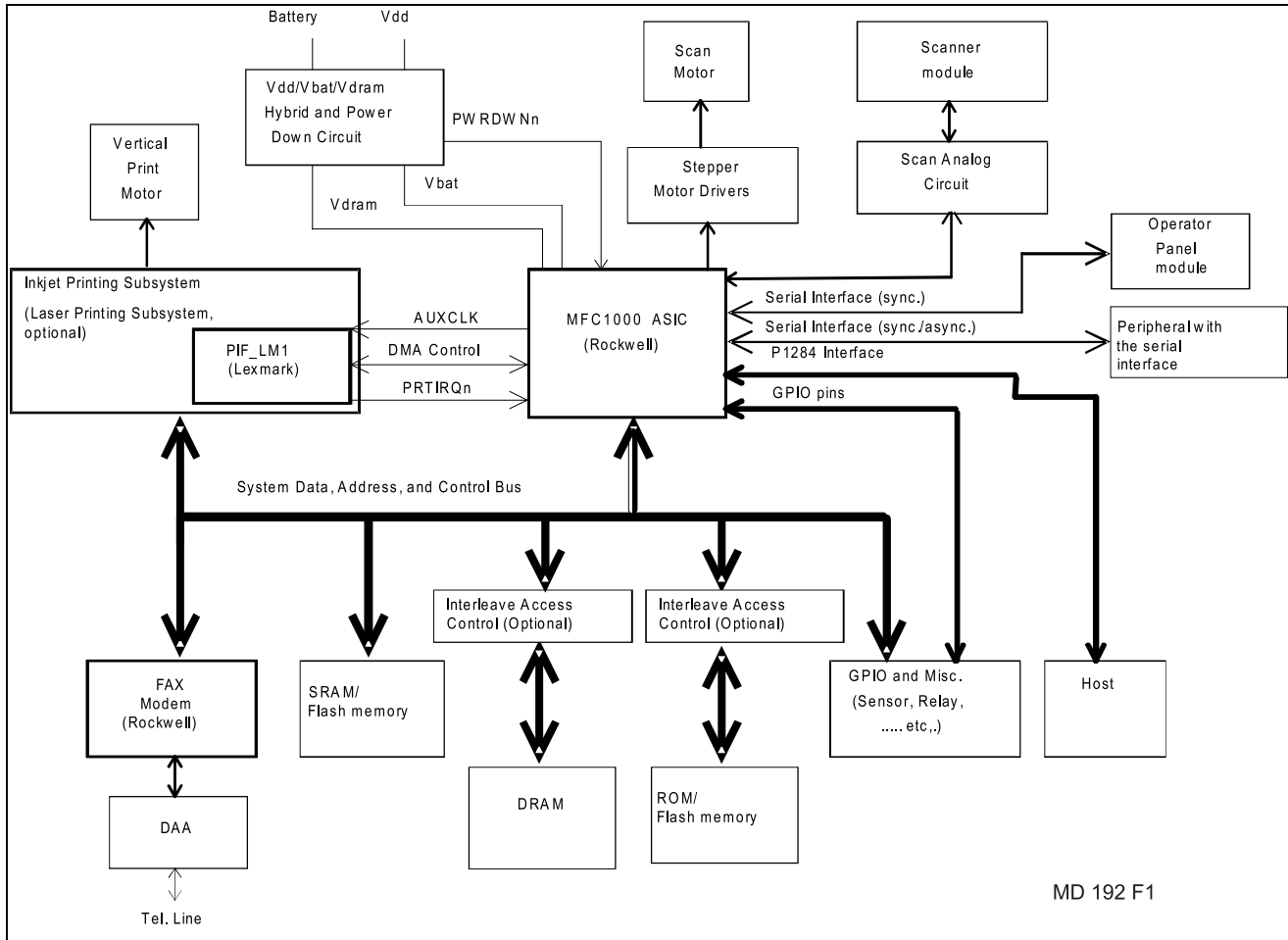


Figure 1. MFC1000 Engine System Block Diagram

MFC1000 Software and Firmware

The MFC1000 Engine consists of the host-based software and MFP-based firmware which allows integration of standalone plain paper (laser or inkjet) fax, copier, scanner and printer functions into a single MFP machine.

- Desktop application software
 - Document management and on-screen viewing
 - Scan document to desktop
 - Print document from desktop
 - Receive and transmit documents via integrated PC fax
 - On-screen MFP control panel
- Host driver software
 - Host-based printer driver
 - Twain scanner driver
 - Communications port redirector for PC fax
 - MFP device monitor for system control
 - Host 1284 drivers
- Firmware to control resources and local operations
 - Standalone fax transmission and receiving
 - Standalone copying
 - Host channel communication
 - Control panel operations
 - DTAM & speakerphone support

Hardware Description

The MFC1000 hardware interface signals are shown in Figure 2.

Note: Suffix n indicates an active low signal.)

MFC1000 Controller

The MFC1000 Controller contains an internal RISC Processor with a 64-Mbyte address space and dedicated circuitry optimized for facsimile image processing, Multifunctional peripheral control and monitoring, and plain paper printer support.

The RISC Processor is an ARM7TDMI central processing unit (CPU). This CPU provides fast instruction (up to 40 MHz clock speed) execution and memory efficient input/output bit manipulation. The CPU connects to other internal and external MFC1000 functions over a 16-bit data and 26-bit address bus and dedicated control lines. A 1024-byte instruction cache with 16-byte cache line structure is supported. The cache memory can be enabled or disabled by firmware.

26-bit address bus, 16-bit data bus, control, status, interrupt, and decoded chip select signals support connection to external ROM, external RAM, DRAM, and optional peripheral devices. 32-bit, 16-bit, and 8-bit CPU accesses are supported through the 16-bit data bus.

DRAM Controller

The MFC1000 includes a DRAM controller with single and page mode access support and EDO DRAM support. It supports fast, normal, or slow refresh time and battery back up. The refresh is performed automatically and supported during battery backup. Only CAS-before-RAS refresh is supported. Two DRAM banks of 512K, 1MB, 4MB, or 16MB each are supported with two CAS signals. 4, 8 and 16 bit organizations are supported; access speeds from 50 to 80 ns are supported. The interleave access modes are supported for DRAM accesses.

Flash Memory Controller

The MFC1000 includes a Flash Memory Controller that supports the following types of Flash memory and their equivalents:

Manufacturer	Model Number	Size (Kbytes)	Type
AMD	AM29F040	512	NOR
Intel	28F400BL	512	NOR
Samsung	KM29N040	512	NAND
Toshiba	TC58A040F	512	serial NAND (using serial interface)

Note:

1. NOR-type flash memory accesses are accomplished by using normal bus operations.
2. NAND-type flash memory accesses are accomplished by multiple accesses to IO address space.
3. The max. flash memory size supported by this controller is 2M bytes.

Interrupts

Up to four external level sensitive interrupts are provided. One active high and one active low interrupt are provided for general use, and dedicated active low interrupts are provided for the modem and an external printer interface.

DMA Channels

Nine internal DMA channels support scanner, T.4/T.6, Parallel I/O, and Data formatting (resolution conversion and bit rotation) access of memory. One external DMA channel supports data transfer to an external peripheral device such as a print engine controller. One DMA channel can be programmed as an internal or external DMA channel and supports either the internal scan IF or an external peripheral device such as a image processing chip.

External RAM and ROM

External RAM/Flash memory up to 44 MB and ROM up to 4 MB (or up to 8 MB of ROM and 40 MB of RAM/Flash memory) can be connected to the MFC1000 as well as external peripherals. ROM stores all the MFC1000 ENGINE program object code. RAM is used by the MFC1000 ENGINE Embedded CPU as a shading RAM, image line buffer RAM and to store some special program object code.

Chip Selects

Various chip selects (CS) are provided by the MFC1000 such as ROMCSn, CS0n for SRAM, CS1n for external peripherals, MCSn for modem, and optional general purpose chip selects CS[5:2]. The interleave access mode is supported for the ROM access.

Scanner Stepper Motor Control

Scanner motor stepping can be programmed to synchronize to the scan cycle.

Printer Stepper Motor Control

Vertical printer motor control lines consist of four pins PM[3:0]/GPO[3:0] designed to control vertical printer motor movement through external current drivers or to serve as GPO. The vertical printer stepper motor output is controlled using a programmable pulse width generator. Therefore, acceleration/deceleration and constant speed motor control are supported. The CPU only needs to change the timer value when the motor speed needs to be changed. The vertical motor can run at constant speed, increasing speed, or decreasing speed.

T.4/T.6 Compressor/Decompressor

MH, MR, and MMR compression and decompression are provided in hardware. Alternating Compression and Decompression (ACD) on a line by line basis provides support for up to three independent compression/decompression processes. T.4 line lengths up to 8192 pixels are supported.

Bi-level Resolution Conversion

One independent programmable bi-level 1-D resolution conversion block is provided to perform expansion or reduction on the T4 decompressed data and host image data. Image expansion can be programmed up to 360% and reduction down to 33%. Vertical line ORing, shingling function and horizontal shifting function for inkjet printing and the vertical line filtered are also provided.

External Printer IF

The External Printer Interface provides a connection between the MFC1000 and the external printer ASIC (inkjet or laser). The MFC1000 configures and controls the external printer ASIC by setting registers in it through system bus.

The interface includes AUXCLK, which can be used as a clock base for the external print ASIC, an interrupt (PRTIRQn), DMA, (DMARQ and DMAACK), and system bus signals.

External Scanner IF

The interface between MFC1000 and the External image processing ASIC is called the External Scanner IF. It includes clock (AUXCLK), DMA (DMAREQ0 and DMAACK0), and system bus signals.

Scanner and Video Control

Six programmable control and timing signals support common CCD and CIS scanners. The video control function provides signals for controlling the scanner and for processing its video output. Four programmable control signals (START, CLK1, CLK1n, and CLK2) provide timing related to line and pixel timing. These are programmable with regard to start time, relative delay and pulse width. Two video control output signals (VIDCTL[1:0]) provide digital control for external signal pre-processing or test circuitry. These signals provide a per pixel period, or per line period, timing; with programmable positive-going and negative-going transitions for each period. Scanner line lengths up to 4096 pixels are supported.

Scanner Pipeline A/D Interface

An internal 8-bit Pipeline A/D converter (PADC) is provided. The A/D reference input (Vref+) is made available for control by external circuits. The clamping, AGC, and Sample/Hold circuits are also built-in. The PADC data output includes overflow and underflow bits.

Video Processing

Line-based Dark Level Correction Logic compensates for the variations of the image output voltage caused by DC offset. The MFC1000 supports two modes of shading correction: for scanner data non-uniformities arising from uneven sensor output or uneven illumination.

Correction is provided on either an 8-pixel group or is applied separately to each pixel. Gamma correction is also provided. Automatic Background Correction (ABC), Dynamic Foreground Correction (DFC), and 2-D Edge enhancement/MTF are provided for text images. 2-D Edge enhancement/MTF and 2-D Error Diffusion/Dithering are performed on halftone images. The MFC1000 includes a 16 x 16 dither table, which is programmable and stored internally (8-bits per table entry). The table is arranged in a matrix of up to 16 rows by up to 16 columns. The video processing circuit also provides the mixed-mode detection/processing and multi-level Resolution Conversion for the scanner multi-level data. The conversion ratio of the multi-level Resolution Conversion is from 360% to 50%.

Bit Rotation

This block performs 90 degree data rotation on the horizontal shifted print data in the printing swatch buffer to support mono and color inkjet printing. It is designed to prepare the printing data from the line-based mono or color image data for each color plane in the line buffer into a form ready for each fire cycle of the inkjet printer. The ready form of data for the fire cycle of the print engine means that data are bit-rotated and interleaved in the bit order for each fire cycle.

Synchronous Receiver Transmitter (SOPIF)

One synchronous only serial interface (SOPIF) is built into the MFC1000, allowing the MFC1000 to communicate with the external operator panel module and with other external peripherals. The SOPIF provides separate signals for Data (SSTXD, SSRXD), Clock (SSCLK), and optional Data Request / Data Acknowledge (SSREQ/SSACK). It is a full duplex, three-wire system. The SOPIF may be configured to operate as either a master or slave interface. The bit rate, clock polarity, clock phase, and data shifting order are programmable.

Synchronous/Asynchronous Receiver Transmitter (SASIF)

One Synchronous/Asynchronous serial interface (SASIF) which performs serial-parallel conversion on data received from a peripheral device and parallel-to-serial conversion of data for transmission to a peripheral device. The interface consists of serial transmit data (SASTXD), serial receive data (SASRXD), and a serial clock (SASSCLK) signals. The SASIF includes a programmable bit rate generator for asynchronous and synchronous operations. The data shifting order, Data bit number, and the SASSCLK polarity are programmable.

Real-Time Clock (RTC)

The MFC1000 includes a battery backup real-time clock. The RTC automatically maintains the correct date and time for 32 years. The leap year compensation is included. A 32.768 kHz or 65.536 kHz watch crystal is required by the RTC.

Tone/Bell/Ring Generator

The MFC1000 provides three programmable clock generator outputs. Two of the generators are used as tone generators and the third as a bell or ring driver.

General Purpose Inputs and/or Outputs

The MFC1000 provides up to 15 GPIO's and 8 GPO's.

1284 Bi-directional Parallel Interface

An IEEE 1284 compatible bi-directional peripheral parallel port is provided. Compatibility, nibble, byte, and ECP modes are supported. The Parallel I/O interface can be programmed to support CPU or DMA data transfers. DMA is available in Compatibility, nibble, and ECP modes.

Autobaud

An autobaud circuit supports detection of baud rate and data structure (parity and character length) for programming an external UART. A precision timer, shift register and edge detector are included to determine the width of the start bit and to sample the serial data stream. Serial data rates up to 115.2 KBPS are supported.

Watchdog Timer

The Watchdog Timer guards against firmware lockup on the part of either Executive-controlled background tasks or interrupt-driven tasks, and can be only enabled by a sequence of events under control of the Watchdog Control Logic. Once the Watchdog Timer has been enabled, it can not be disabled unless a system reset occurs.

Reset and Power Control

The BATRSTn input initializes the MFC1000 at power-on. An externally generated power-down input, PWRDWNn, controls switching between primary and battery power. The open drain RESETn I/O pin provides a reset output to external circuits, or can accept an externally generated reset. The external reset will not reset the RTC. Separate DRAM and RTC battery power inputs are provided for battery-backed up functions.

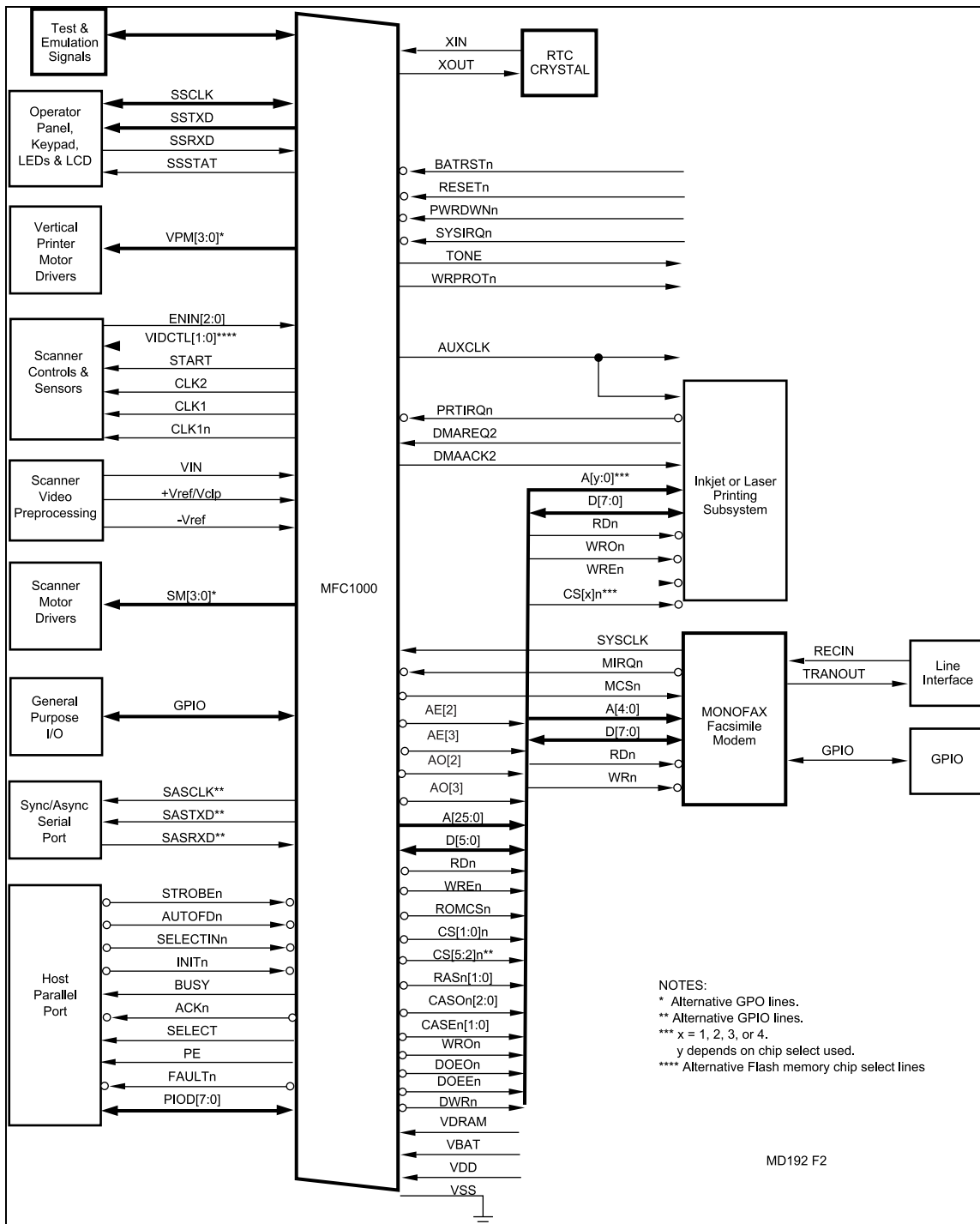


Figure 2. MFC1000 Controller Organization

Software and Firmware Description

The software architecture can be described through the multi-layer mode containing two major layers—host-based software and MFC1000-based firmware (Figure 3).

Host-Based Software

The Host-based firmware data flow architecture is shown in Figure 4. The firmware system control architecture is shown in Figure 5.

Host-based software consists of the following major components.

- Desktop Application Software
- Host Printer-based
- TWAIN Scanner Driver
- PC Fax Communication Driver
- MFC1000 Control Panel Driver
- MFC1000 Device Monitor Driver implementing protocol between MFC1000 software and MFP firmware
- All components comply with the API and user interface standards

MFC1000 Firmware

The MFC1000 firmware implements all free-standing MFP operations and communicates with host-based software to implement PC operations. The major firmware components are grouped in four levels—System Control, Firmware Application, Hardware Drivers, and System Services. Each of these components are described in the paragraphs that follow.

System Control

The system control module provides the user and the PC with full control of all MFP functions.

Control Program

The firmware control program coordinates simultaneous operations and inter-module communication throughout the system.

Local Control Panel

This module implements the user interface at the front panel of the MFP device.

SMFPI Module

Communicates with control software on the PC to integrate control of free-standing operations with control of the PC operations.

Firmware Application

Firmware applications run in response to user, PC, telephone, and timer requests for user-level operations. Each application is responsible for implementing its functions using hardware drivers and system services as necessary.

Fax Application

Firmware that implements the T.30, T.4, and T.6 protocols with the assistance of the MFC1000's hardware MH/MR/MMR compressor/decompressor.

Document Scan Application

Scans documents into page memory.

Document Print Application

Prints documents from page memory.

Document Copy Application

Coordinates scan-to-page memory and print from page memory operations. This is used for multiple or collated copying, or it can transfer scanner data to the printer if only one copy is required.

PC Print Application

Uses the 1284 driver to get print data from the PC, then formats it for printing and passes print-ready data to the printer driver.

PC Scan Application

Uses the scanner driver to acquire a bitmap image of a page and sends the bitmap to the PC via the Host I/O driver.

Class 1 Application

Uses the modem driver and the host I/O driver to present a Class 1 modem interface to PC fax applications that communicate with the MFP via a virtual serial port.

Phone Application

Dials and answers the telephone, implements speed dialing, one-touch dialing, and group dialing.

TAM Application

Records and plays incoming and outgoing voice messages.

Report Generator Application

Generates reports in the form of text files in page memory. These files are converted to bitmaps as they are printed.

Hardware Drivers

The hardware drivers are a firmware layer between the application code and the hardware itself. This layer of code changes when the designer ports the MFC1000 firmware from the evaluation system to a MFC1000 based hardware platform. The application code does not require changes for hardware differences. The major hardware drivers are:

Printer Mechanism Driver

Controls carrier and paper feed motors for the printer, along with inkjet nozzle firing.

Control Panel Driver

Interfaces with the control panel, converts key row and column into a single physical key code, formats text for display on the panel.

Host I/O Driver

Controls the 1284 port hardware and negotiates for compatibility, nibble, and ECP modes.

Scanner Driver

Controls the scanner and image processing hardware. Handles shading correction and scanner paper feed.

Modem Driver

All applications which need to use the modem for voice, data, or tone transmission/reception access the modem through this driver.

DAA Driver

Controls the telephony hardware.

Real-Time Clock Driver

Provides a firmware interface for RTC functions.

Bi-level Image Processing Driver

Controls the MFC1000's bi-level resolution conversion circuits.

T4 Compressor/Decompressor Driver

Controls the MFC1000's MH/MR/MMR compression circuits.

System Services

These modules provide services that are used by one or more applications.

Compress/Decompress Files

Services that use the T4 compressor/decompressor driver to convert bitmap images into TIFF files in page memory.

Document Manager

Service to keep track of documents in page memory (where and what each document is, and why it is in memory).

Memory File System

Provides DOS-like file structure in battery backed-up DRAM.

T4 Transmit and T4 Receive

Services that control data movement to and from the modem during Phase C of fax operations.

Graphic Services

Takes print data in raster form and sends it to the printer mechanism driver as needed during printing. Provides intelligent buffering that insulates HstPrt and Prt from printing process.

Prt

Interface component that scales faxes and copies as needed for printing.

Rasterize

Converts text characters to bitmaps for printing reports, activity logs, etc.

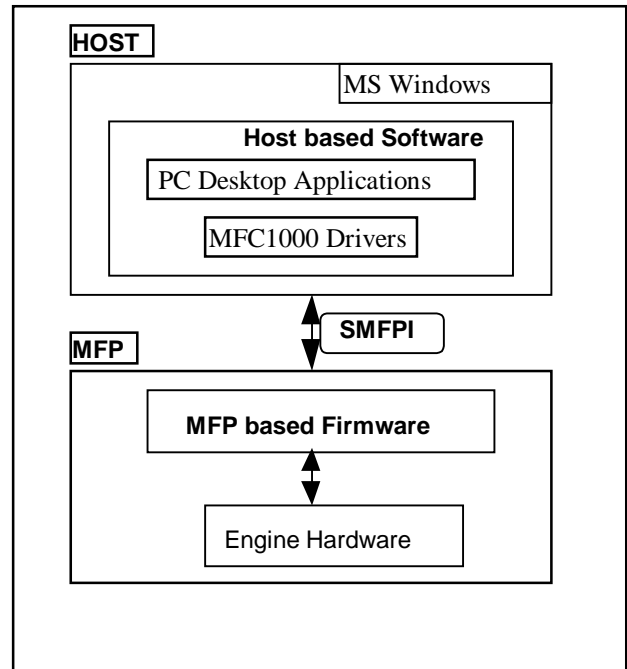


Figure 3. Software and Firmware Structure

Reference Documents

Reference documents for the MFC1000 and MONOFAX modems are listed in Table 2.

Table 2. Reference Documents

Document	Order No.
ARM7TDMI Emulator System User's Manual	TBD
Advanced Multifunctional Peripheral Controller (AMFPC) Hardware Description	1132
MFC1000 Firmware Description	1133
ARM7TDMI CPU Programming Manual	TBD
R96DFXL MONOFAX Modem Data Sheet	MD 92
R144EFLX MONOFAX Modem Data Sheet	MD 90
RFX144V24 -S23 and RFX96V24-S23 MONOFAX Modems Data Sheet	MD141
R288F Modem Data Sheet	MD147R1
9600 bps MONOFAX Modem Designer's Guide	820
9600 bps MONOFAX Modem Designer's Guide—Addendum for R96DFXL	820A
R144EFLX MONOFAX Modem Designer's Guide	895
RFX144V24-S23 and RFX96V24-S23 MONOFAX Modems Designer's Guide	1070
R288F Modem Designer's Guide	1069R1
MFC1000 Evaluation System (MFC EVS) User's Manual	1134
FM336 V.34/Group 3 Fax Modem Designer's Guide	1176DG
FM336 V.34/Group 3 Fax Modem Data Sheet	MD220

MFC1000 Interface Signals

The MFC1000 hardware interface signals are shown in Figure 2.

Note: The suffix n indicates an active low signal.

The MFC1000 hardware signal pin assignments are shown in Figure 6.

MFC1000 Power Requirements

Power requirements are listed in Table 3.

MFC1000 Absolute Maximum Ratings

Absolute maximum ratings are listed in Table 4.

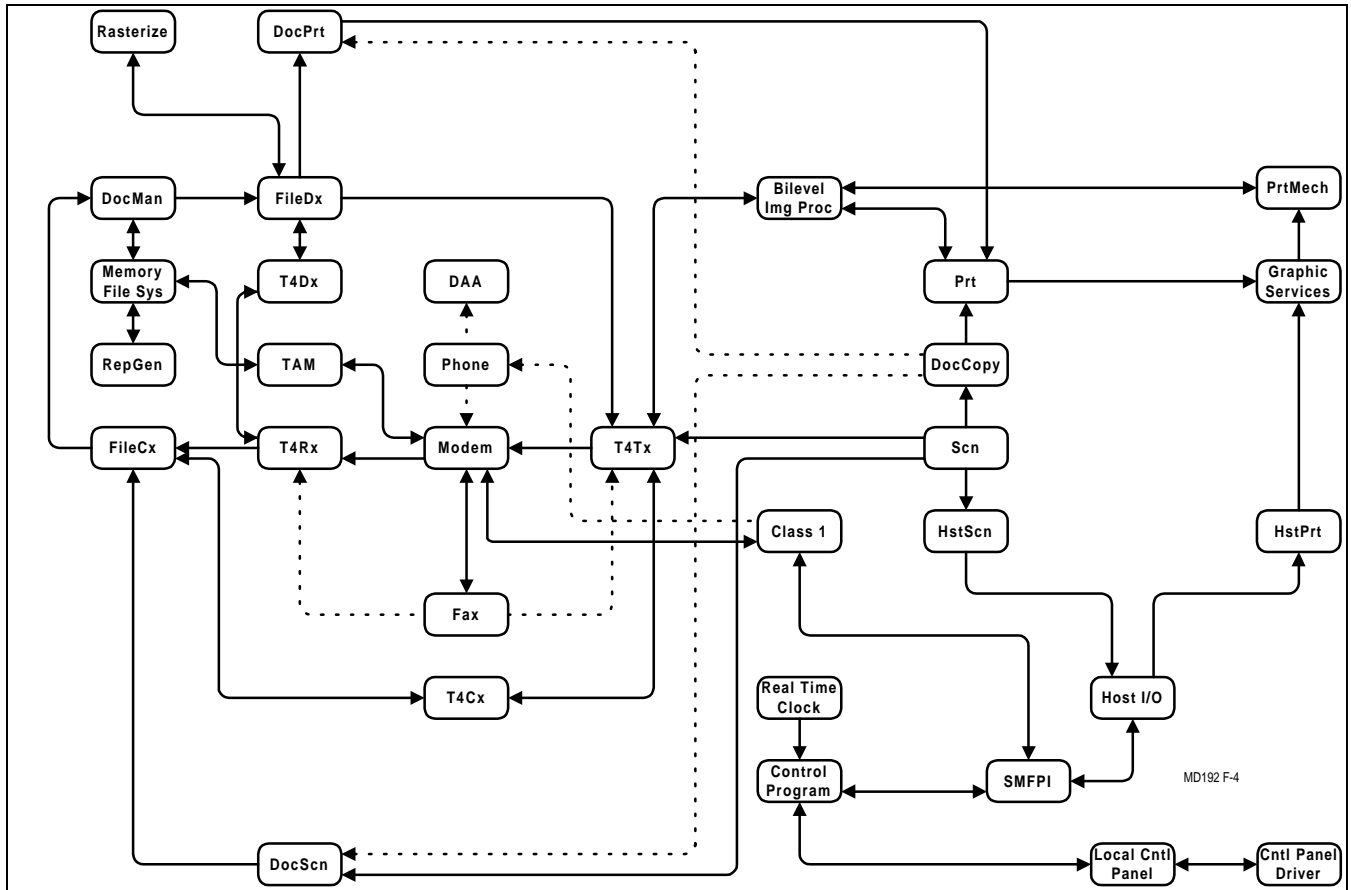


Figure 4. Firmware Data Flow Architecture

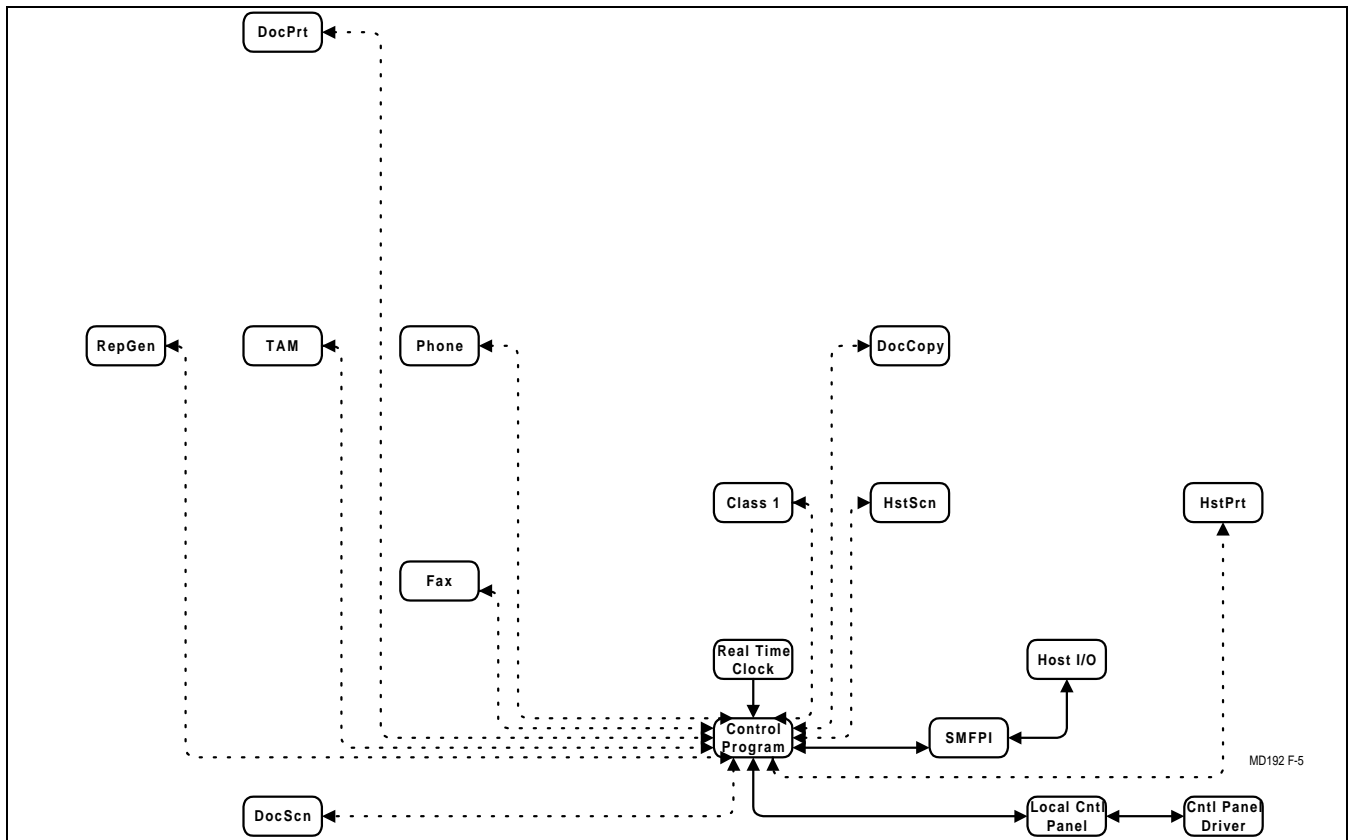


Figure 5. Firmware System Control Architecture

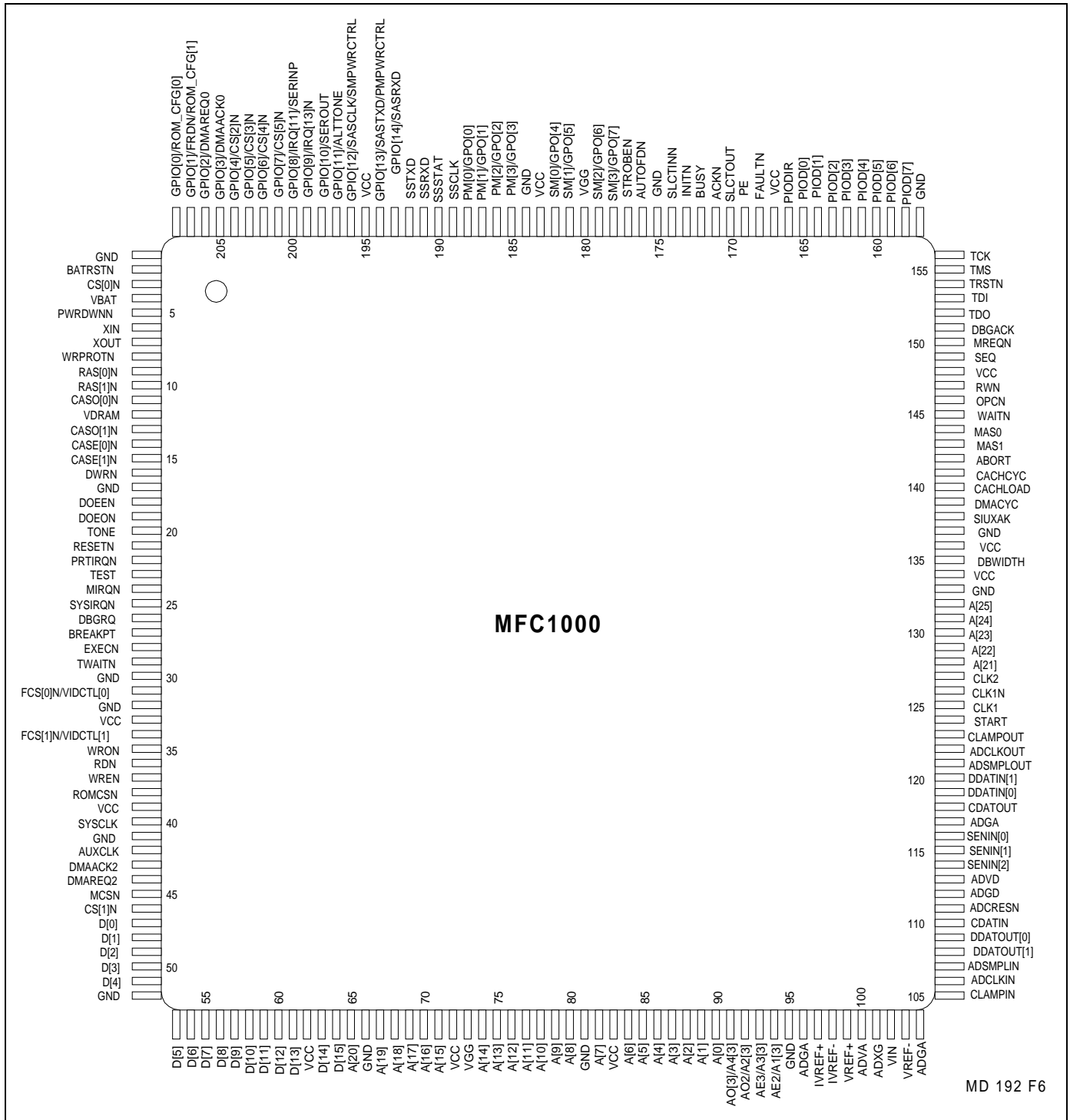


Figure 6. MFC1000 Package Pin Outs - 208-Pin PQFP

Table 3. Current and Power Requirements

Device	Voltage (Note 1)	Typical Current @ 25°C (Note 3)	Maximum Current @ 0°C (Note 3)	Typical Power @ 25°C (Note 3)	Maximum Power @ 0°C (Note 3)
MFC1000					
Primary Power VCC VDD	+5VDC +5%/-10% +3VDC +5%/-10%	100 mA	TBD	300 mW	TBD
Battery Power for DRAM	3 VDC	100 mA	TBD	300 mW	TBD
Battery Power for RTC/SRAM	3 VDC	70mA	TBD	60 mW	TBD
MONOFAX Modems					
FM209	+5 VDC ±5%	50 mA	55 mA	250 mW	289 mW
FM214	+5 VDC ±5%	54 mA	60 mA	300 mW	315 mW
FM214-V/FM209-V	+5 VDC ±5%	100/2 mA	119/2.5 mA	500/10 mw	625/13.1 mW
FM214-VS/FM209-VS	+5 VDC ±5% (Note 4)	124/2.15 mA	149/2.8 mA	620/2.15 mw	782/14.7 mW
FM336	+5 VDC ±5%	128/1.8 mA	161/2.3 mA	620/9 mW	845/12.3 mW
Notes:					
1. Input voltage ripple =0.1 volts peak-to-peak. The amplitude of any frequency between 20 and 150 kHz must be less than 500 microvolts peak.					
2. Real-Time Clock (RTC) battery power measurements made with a 32.768 kHz crystal oscillator.					
3. Normal/Standby modes.					
4. Modem and XIA combined.					
5. Test conditions: VCC = 5.0 VDC and VDD = 3.0 VDC for typical values; VCC = 5.25 VDC and VDD = 3.0 VDC for maximum values.					

Table 4. Operating and Absolute Maximum Ratings

Signal	Input Type	Description	Operating (V min)	Operating (V max)	Abs. Max. (V min)	Abs. Max. (V max)
SEN IN	TA	Thermal ADC Head Analog Input	0.2*DADV	0.8*DADV	-0.5	DADV+0.5
VIN	VA	Video Analog In	-VR	+VR	-0.5	VADV + 0.5
IVREF+	+IVR	Internal A/D +Vref	3.63	3.74	-	-
IVRE-	-IVR	Internal A/D -Vref	1.31	2.6	-	-
VREF+	+VR	Video A/D +Vref	3.0	5.0	-0.5	VADV + 0.5
VRE-	-VR	Video A/D -Vref	0.0	1.5	-0.5	VADV + 0.5
ADXG	VAXG	+2.5V Analog Reference	2.4	2.6	-	-
ADVA	VADV	Video A/D Power	DADV-0.1	DADV + 0.1	-0.5	7.0
ADGA	VADG	Video A/D GND	-0.1	0.1	-0.5	0.5
ADVD	DADV	Digital A/D Power	4.5	5.25	-0.5	7.0
ADGD	DADG	Digital A/D GND	-0.1	0.1	-0.5	0.5
VDD	VDD	Digital Power	3.0	3.6	-0.5	6.0
VSS	GND	Digital Ground	0	0	0	0
VGG	VGG	ESD Power	4.75	5.25	-0.5	7.0
VDRAM	VDRAM	Battery Power for DRAM	2.25	3.6	-0.5	6.0
VBAT	VBAT	Battery Power for RTC/SRAM	2.25	3.6	-0.5	6.0
	DI3V	Digital Input (3V)			-0.5	VDD + 0.5
	DI5V	Digital Input (5V)			-0.5	VGG + 0.5
	VHz	Voltage applied to outputs in High-Z State (VDD powered)			-0.5	VDD + 0.5
	VGG-VDD	ESD Power to digital power differential			-0.5	6.0



Further Information

literature@conexant.com
1-800-854-8099 (North America)
33-14-906-3980 (International)

Web Site

www.conexant.com

World Headquarters

Conexant Systems, Inc.
4311 Jamboree Road
P. O. Box C

Newport Beach, CA

92658-8902

Phone: (949) 483-4600

Fax: (949) 483-6375

U.S. Florida/South America

Phone: (813) 799-8406

Fax: (813) 799-8306

U.S. Los Angeles

Phone: (805) 376-0559

Fax: (805) 376-8180

U.S. Mid-Atlantic

Phone: (215) 244-6784

Fax: (215) 244-9292

U.S. North Central

Phone: (630) 773-3454

Fax: (630) 773-3907

U.S. Northeast

Phone: (978) 692-7660

Fax: (978) 692-8185

U.S. Northwest/Pacific West

Phone: (408) 249-9696

Fax: (408) 249-7113

U.S. South Central

Phone: (972) 773-0723

Fax: (972) 407-0639

U.S. Southeast

Phone: (770) 246-8283

Fax: (770) 246-0018

U.S. Southwest

Phone: (949) 222-9119

Fax: (949) 222-0620

APAC Headquarters

Conexant Systems Singapore,
Pte. Ltd.

1 Kim Seng Promenade

Great World City

#09-01 East Tower

Singapore 237994

Phone: (65) 737 7355

Fax: (65) 737 9077

Australia

Phone: (61 2) 9869 4088

Fax: (61 2) 9869 4077

China

Phone: (86 2) 6361 2515

Fax: (86 2) 6361 2516

Hong Kong

Phone: (852) 2827 0181

Fax: (852) 2827 6488

India

Phone: (91 11) 692 4780

Fax: (91 11) 692 4712

Korea

Phone: (82 2) 565 2880

Fax: (82 2) 565 1440

Europe Headquarters

Conexant Systems France

Les Taissounieres B1

1680 Route des Dolines

BP 283

06905 Sophia Antipolis Cedex

France

Phone: (33 4) 93 00 33 35

Fax: (33 4) 93 00 33 03

Europe Central

Phone: (49 89) 829 1320

Fax: (49 89) 834 2734

Europe Mediterranean

Phone: (39 02) 9317 9911

Fax: (39 02) 9317 9913

Europe North

Phone: (44 1344) 486 444

Fax: (44 1344) 486 555

Europe South

Phone: (33 1) 41 44 36 50

Fax: (33 1) 41 44 36 90

Middle East Headquarters

Conexant Systems Commercial
(Israel) Ltd.

P. O. Box 12660

Herzlia 46733, Israel

Phone: (972 9) 952 4064

Fax: (972 9) 951 3924

Japan Headquarters

Conexant Systems Japan Co.,
Ltd.

Shimomoto Building

1-46-3 Hatsudai,

Shibuya-ku, Tokyo

151-0061 Japan

Phone: (81 3) 5371 1567

Fax: (81 3) 5371-1501

Taiwan Headquarters

Conexant Systems, Taiwan Co.,
Ltd.

Room 2808, 333

International Trade Building

Keelung Road, Section 1

Taipei 110, Taiwan, ROC

Phone: (886 2) 2720 0282

Fax: (886 2) 2757 6760