



# MH303

Cellular-band Quad-FET Mixer

The Communications Edge™

Product Information

## Product Features

- +28 dBm IIP3
- RF 820 – 920 MHz
- IF 20 – 100 MHz
- Low-side LO configuration
- +13 dBm LO Drive Level
- High L-I & L-R Isolation (>38 dB)
- 6-pin 3x3 mm DFN lead-free/green/RoHS-compliant Package
- No External Bias Required

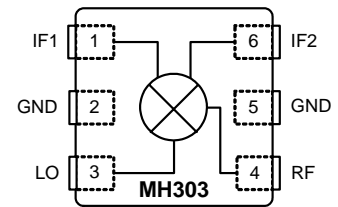
## Product Description

The MH303 is a passive Quad-MOSFET mixer that provides high dynamic range performance in a low cost 3x3 mm 6-pin DFN (Dual Flat No-Lead) lead-free/green/RoHS-compliant package.

WJ's MH303 uses patented techniques to realize +28 dBm Input IP3 at an LO drive level of +13 dBm when used in a simple application circuit with a low-side LO configuration. The LO can also be driven with higher power levels up +20 dBm to achieve higher IP3 performance. This mixer integrates internal circuitry to provide single-ended interfaces for the RF & LO ports.

Typical applications include frequency up/down conversion, modulation and demodulation for receivers and transmitters used in cellular-band 3G mobile infrastructure.

## Functional Diagram



Function	Pin No.
IF Differential Input	1
LO port	3
RF port	4
IF differential Input	6
Ground	2, 5

## Specifications

Parameters	Units	Minimum	Typical	Maximum	Comments
RF Frequency Range	MHz	820		920	
LO Frequency Range	MHz	720		900	
IF Frequency Range	MHz	20	70	100	See note 2
SSB Conversion Loss	dB		7.5	8.0	See note 3
Input IP3	dBm	+26	+27		RF = 820 MHz, See note 4
Input IP3	dBm	+27	+28		RF = 870 MHz, See note 4
Input IP3	dBm	+26	+27		RF = 920 MHz, See note 4
Input 1 dB Compression Point	dBm		+17.5		See note 5
Noise Figure	dB		8		
LO Input Drive Level	dBm		+13		
LO-RF Isolation	dB	35	38		LO freq = 750 – 850 MHz
LO-IF Isolation	dB	40	44		LO freq = 750 – 850 MHz
Return Loss: RF Port	dB		18		
Return Loss: LO Port	dB		12		
Return Loss: IF Port	dB		10		

1. Data was taken using an application board in a 50 Ω system, with a low side LO at +13 dBm in a downconverting application at 25°C with an IF frequency = 70 MHz.
2. An IF frequency of 70 MHz is a nominal frequency. The IF frequency can be specified by the user within the constraints of the specified minimum and maximum RF and LO frequency range.
3. The conversion loss includes the loss of an IF transformer (M/A COM ETC1-1-13, nominal loss 0.7 dB at 70 MHz).
4. Input IP3 is measured with two tones with an input power of +3 dBm / tone separated by 1 MHz.
5. Although the input P1dB level is much higher, the continuous RF input power should not exceed +12 dBm. Operation above +12 dBm may cause permanent damage.

## Absolute Maximum Ratings

Parameters	Rating
Operating Case Temperature	-40° to +85° C
Storage Temperature	-40° to +125° C
LO Input Power	+20 dBm
RF Input Power	+12 dBm

Operation of this device above any of these parameters may cause permanent damage.

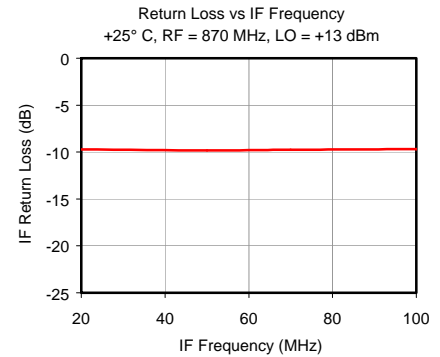
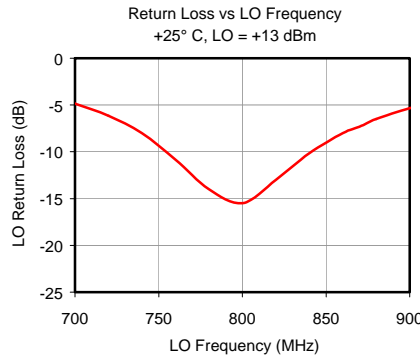
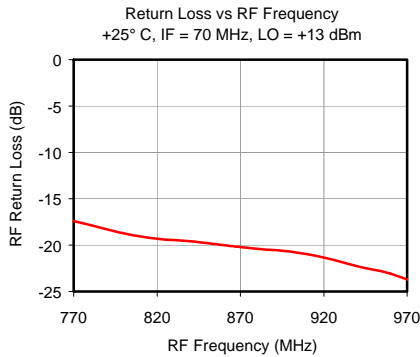
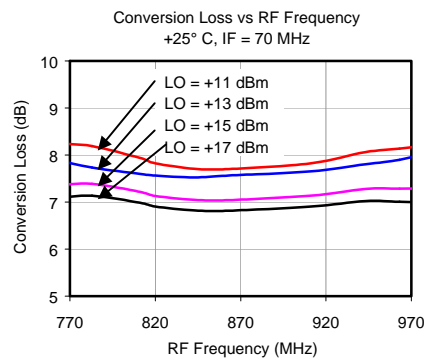
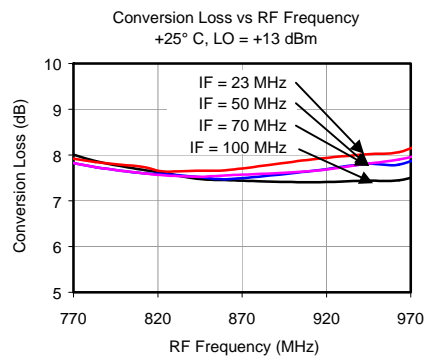
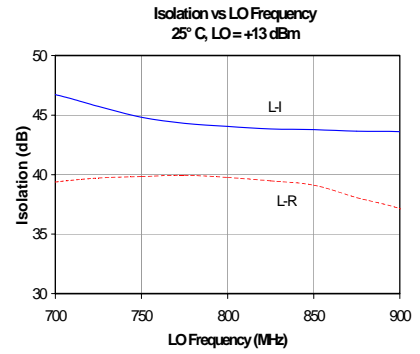
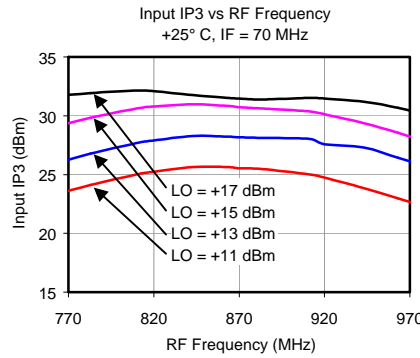
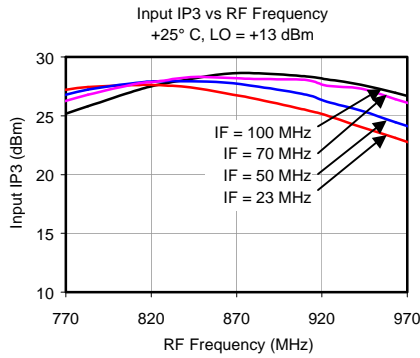
## Ordering Information

Part No.	Description
MH303	Cellular-band Quad-FET Mixer (lead-tin plated pins)
MH303-G	Cellular-band Quad-FET Mixer (lead-free/green/RoHS-compliant Package)
MH303-PCB	Fully-Assembled MH303 Application Board

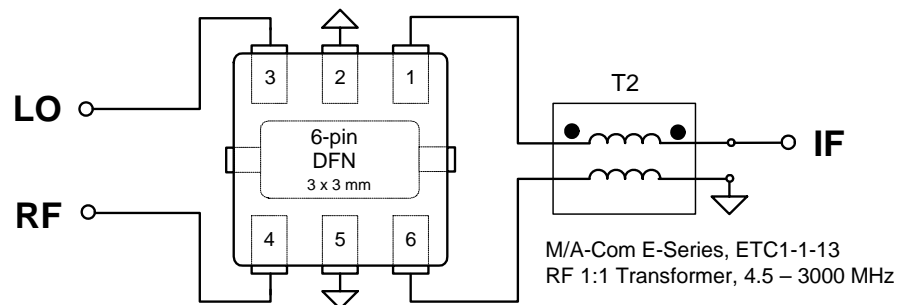
Specifications and information are subject to change without notice



### Typical Performance Charts



### Application Circuit



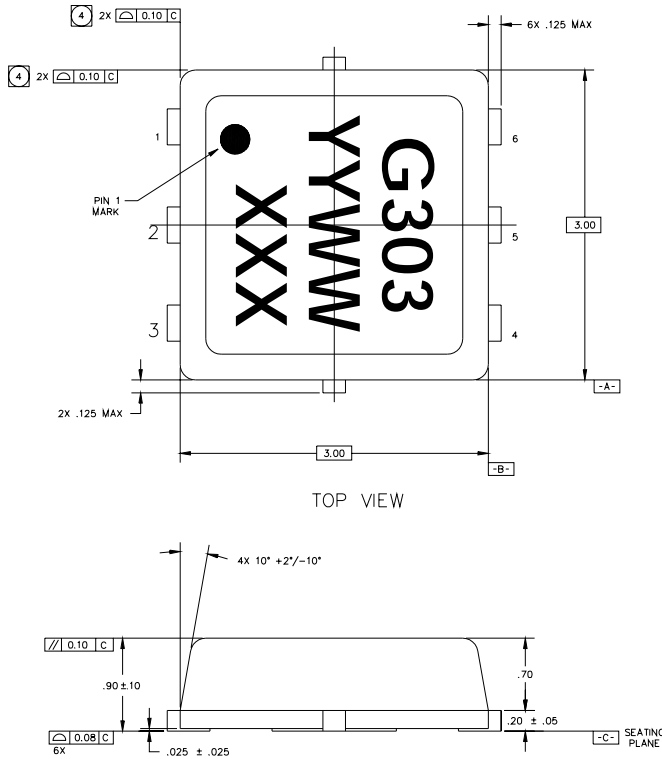




### MH303-G Mechanical Information

This package is lead-free/Green/RoHS-compliant. It is compatible with both lead-free (maximum 260°C reflow temperature) and leaded (maximum 245°C reflow temperature) soldering processes. The plating material on the leads is annealed matte tin over copper.

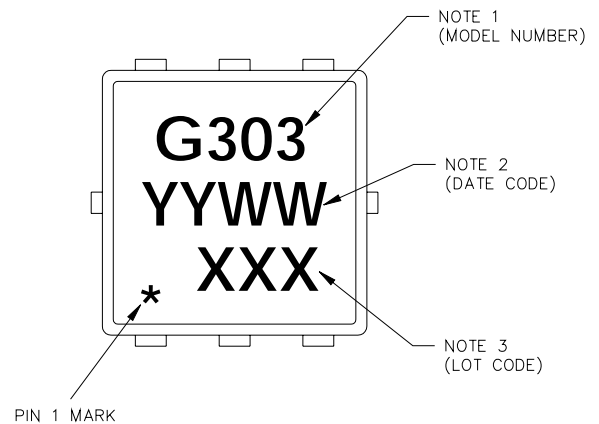
#### Package Information



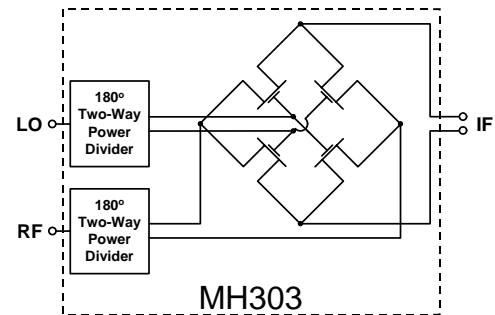
#### Product Marking

The component will be laser marked with a model number "G303" designator exactly as shown followed by an assembly date code in location shown by "YYWW". A laser marked lot code will be in the location shown by "XXX" and is unique for every assembly lot.

Tape and reel specifications for this part are located on the website in the "Application Notes" section.



#### Functional Schematic Diagram



#### ESD / MSL Information

ESD Rating: Class 1B  
 Value: Passes at 500 V  
 Test: Human Body Model (HBM)  
 Standard: JEDEC Standard JESD22-A114

MSL Rating: Level 1 at 260° C convection reflow  
 Standard: JEDEC Standard J-STD-020

- NOTES:
1. DIMENSIONING AND TOLERANCING CONFORM TO ASME Y14.5M-1994
  2. DIMENSIONS ARE EXPRESSED IN MILLIMETERS. ANGLES ARE EXPRESSED IN DEGREES.
  3. COPLANARITY APPLIES TO THE EXPOSED HEAT SINK SLUG AS WELL AS THE TERMINALS.
  4. PROFILE TOLERANCE WILL BE APPLICABLE ONLY TO THE PLASTIC BODY, AND NOT THE METALIZED FEATURES (SUCH AS THE TERMINAL TIPS AND TIE BARS). METALIZED FEATURES MAY PROTRUDE A MAXIMUM OF .125 FROM THE PLASTIC BODY PROFILE.
  5. PACKAGE CONFORMS TO JEDEC MO-229 VARIATION VEEA.