

Figure 2 - Pin Connections

Pin Description

| Pin # | Name | Description |
|-------|------------------------|---|
| 0 | IC | Internal Connection. No pin fitted in this position. |
| 1 | TF | Tip Feed. Connects to external diode to LPGND for protection. |
| 2 | IC | Internal Connection. No pin fitted in this position. |
| 3 | VR | Voice Receive (input) is the 4 wire analog signal to the SLIC. |
| 4 | VRef | Voltage Reference to set the constant current feed to the subscriber line. Constant current feed can be adjusted by the input voltage on the VRef. This pin can also be grounded for normal 21mA loop current. |
| 5 | VEE | Negative Power Supply voltage. (-5V). |
| 6 | GNDA | Analog Ground. (0V) |
| 7 | $\overline{\text{GS}}$ | Gain setting (Input). A logic low at this input adds an additional -0.5dB gain in the receive direction. This gain is in addition to the gain set by the Codec. A high adds 0dB gain. |
| 8 | VX | Voice Transmit (Output) is the 4-wire analog signal from the SLIC. |
| 9 | TIP | Connects to the "Tip" lead of the telephone line. |
| 10 | RING | Connects to the "Ring" lead of the telephone line. |
| 11 | RF | Ring Feed (Input). is connected via the ring relay to either negative battery feed voltage, (RV), or ringing voltage input. |
| 12 | VDD | Positive Power Supply Voltage. (+5V) |
| 13 | RC | Relay Control (Input). Active high will apply ringing to the line. |
| 14 | RD | Output Drive Sources current when RC is at a logic high. |
| 15 | RV | Ring Feed Voltage connects to pin 11 (RF) through a normally closed relay contact. |
| 16 | VRLY | Relay voltage Supply. (+5V) |
| 17 | IC | Internal Connection. No pin fitted in this position. |
| 18 | VBat | Negative Battery Feed Supply Voltage. (-48V) |
| 19 | CAP | Connects external capacitor to ground for ring trip. |
| 20 | SHK | Switch Hook Detect (Output). Active high. |

Functional Description

The SLIC performs a transformerless 2-wire to 4-wire conversion of the analog signal. The 2-wire circuit is the balanced line going to the subscriber loop, while the 4-wire circuit is the audio signal going to and from devices such as the voice codec or switching circuit. The SLIC also provides a switch hook (SHK) status output which goes high when the telephone is set off-hook.

Constant Current Feed

The SLIC employs a complex feedback circuit to supply a constant feed current to the line. This is done by sensing the sum of the voltages across the internal feed resistors and comparing it to an input reference voltage (V_{Ref}) that determines the constant feed current. If V_{Ref} (pin 4) is externally grounded, the constant current is set at 21mA. For a constant current setting between 18mA and 30mA, V_{Ref} can be set between -8.75 Vdc and -6.35 Vdc. The relationship is detailed in the formula below:

$$I_{Loop} = [-2.6(V_{Ref}) + 21.5] \text{ mA} \pm 2\text{mA}$$

Switch Hook Detection

When the DC current exceeds an internal threshold level, the switch hook (SHK) will go high. If the loop resistance is so high that V_{Bat} can no longer supply the required amount of loop current as determined by constant current supply circuit, the output of the switch hook (SHK) will go low to indicate that the loop resistance is too high and the line is on hook.

Ringling And Ring Trip Detection

In Figure 3 a ringing signal (e.g. 90 Vrms superimposed on -48 VDC) is applied to the line by disconnecting pin 15 (RV) from pin 11 (FR), and connecting the ringing voltage at pin 11 (RF) by use of the relay K1.

The SLIC can detect an off-hook condition during ringing but there is a large AC component which must be filtered out to give a true off-hook condition at SHK.

A 1 μ F capacitor connected from pin 19 (CAP) to ground will provide adequate attenuation when ringing is applied.

For applications requiring dial pulse detection the capacitor connection to ground should be controlled so that the capacitor is only connected during ringing.

During off-hook conditions (closed loop), the capacitor should be switched out. This can be performed using a transistor, relay to system drive output of a codec. Applying GNDA to Ring Trip Filter Control pin will switch in the filter, whilst removing GNDA, (with the switch in a tristate condition), will switch out the filter.

For applications using DTMF signalling, the capacitor can be permanently connected to ground.

Once an off-hook condition has been detected a logic low on the Relay Control (RC) input deactivates the relay (K1) to disconnect the ringing voltage from pin 11 (RF) and reconnect to pin 15 (RV). At that time the SLIC will revert to constant current feed operation.

Current Limit

The Tip or Ring may accidentally short to ground. In such a case, current will only flow through the feed resistor. This high current will be sensed and reduced by the current limit circuit to a lower value to protect the internal circuitry.

Receive Gain

The MH88612C Receive Gain (VR to 2-wire) can be adjustable by -0.5dB if \overline{GS} is taken logic low or by 0dB if \overline{GS} is taken logic high. When the MH88612C issued with an off hybrid MT896x codec the Receive Gain can be set to either -3.5dB or -7dB by writing to control Register A of Codec and programming \overline{GS} appropriately.

Applications

Component List

- R1 = 1/4 W, $\pm 10\%$ 200 Ω
 - R2, = 1/4W, $\pm 5\%$, 470K Ω
 - C1 = Cap. Elec., 1.0 μ F, $\pm 10\%$, 25V
 - D1,D2 = Diode Rect., 200V, 1A, IN4003
 - K1 = Relay E/M, 5 or 6V, 1 form C
- Decoupling capacitors (Cap. Cer 0.1 μ F, 50% + 20%) should be added to V_{DD} , V_{EE} , V_{Bat} , V_{Ref} and V_{RLY} .
- Options RV1, RV2= 160 Vrms, 250V 10J

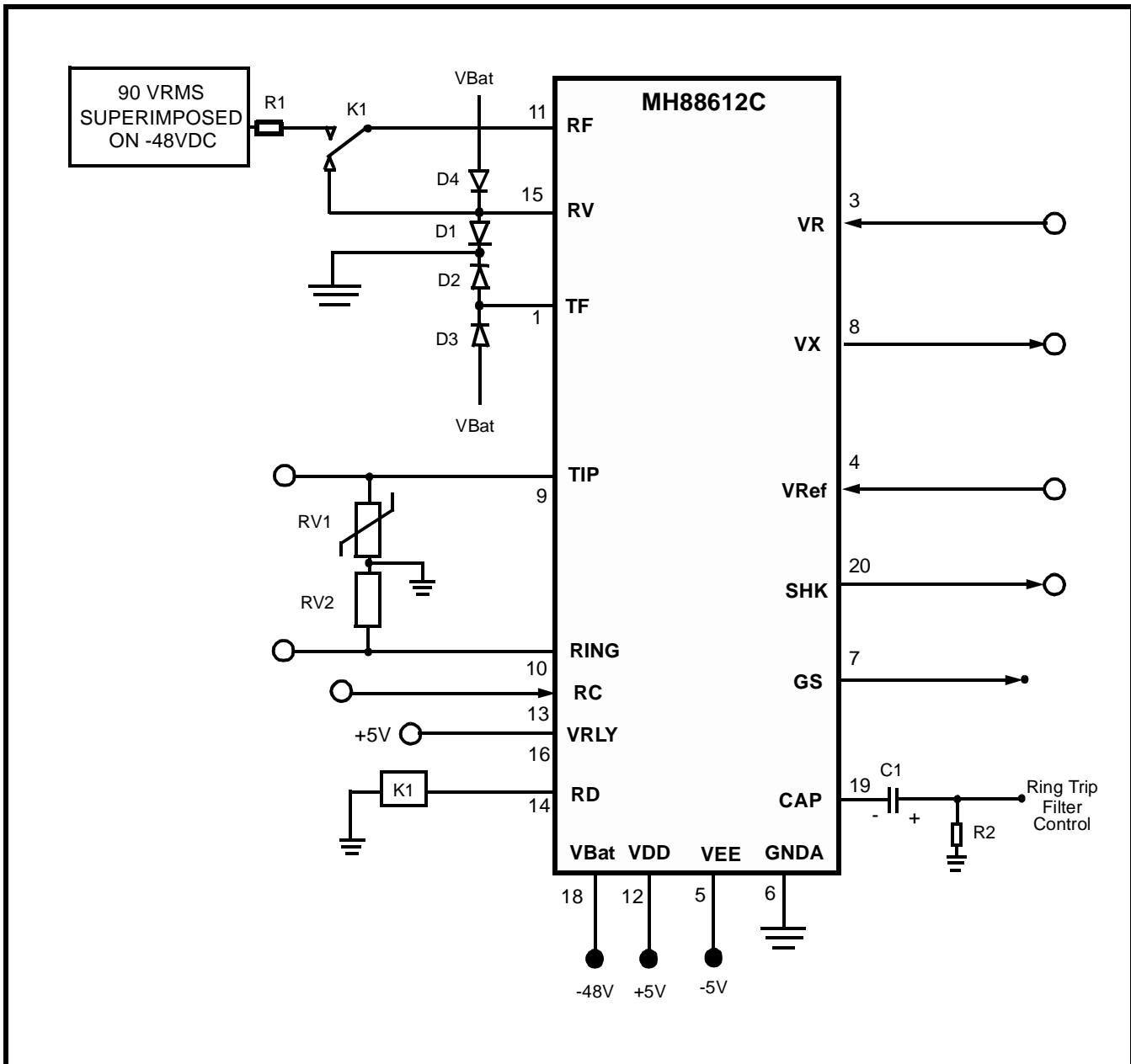


Figure 3 - Application Circuit

Absolute Maximum Ratings*

| | Parameter | Symbol | Min | Max | Units |
|---|---------------------------|-----------|------|-----|-------|
| 1 | DC Supply Voltage | V_{DD} | -0.3 | +15 | V |
| | | V_{EE} | +0.3 | -15 | V |
| | | V_{Bat} | 0.3 | -60 | V |
| 2 | Storage Temperature | T_{STG} | -40 | 100 | °C |
| 3 | Package Power Dissipation | P_D | | 2 | W |

* Exceeding these values may cause permanent damage. Functional operation under these conditions is not implied.

Recommended Operating Conditions

| | Parameter | Sym | Min | Typ* | Max | Units | Comments |
|---|--------------------------|-----------|-------|------|-------|-------|------------|
| 1 | Operating Supply Voltage | V_{DD} | 4.75 | 5.0 | 5.25 | V | |
| | | V_{EE} | -4.75 | -5.0 | -5.25 | V | |
| | | V_{Ref} | | 0 | | V | Adjustable |
| | | V_{Bat} | -27 | -48 | -60 | V | |
| | | V_{RLY} | | 5 | | V | |
| 2 | Operating Temperature | T_O | 0 | | 70 | °C | |

* Typical figures are at 25°C and are for design aid only.

DC Electrical Characteristics[†] - Voltages are with respect to GNDA unless otherwise stated.

| | Characteristics | Sym | Min | Typ* | Max | Units | Test Conditions |
|----|--|------------------------|-----|-------------|------|----------|--|
| 1 | Supply Current | V_{DD} I_{DD} | 0.8 | 5 | 12 | mA | Idle State |
| | | V_{EE} I_{EE} | 0.5 | 3 | 10 | mA | |
| | | V_{Bat} I_{BAT} | 0.0 | 2 | 2.5 | mA | |
| 2 | Power Consumption | P_C | | 210 1410 | | mW mW | Standby Active |
| 3 | Constant Current Line Feed | I_{Loop} | 18 | 21 | 24 | mA | $V_{Ref} = GNDA$, $V_{Bat} = -48V$ |
| 4 | Adjustable Loop Current Range | I_{Loop} | 18 | | 30 | mA | Adjustable with Ext. V_{Ref} input, $V_{Bat} = -48V$ |
| 5 | Operating Loop Resistance | R_{Loop} | | | 1850 | Ω | $V_{Bat} = -48V @ I_{Loop} = 18mA$, R_{Loop} includes telephone set |
| 6 | Ring Ground Over-Current protection | | | | 40 | mA | |
| 7 | Off-Hook Detect Output Low Current (On-hook) Output High Current (Off-hook) | V_{OL} | 0.0 | | 0.4 | V | Active high logic |
| | | V_{OH} | 2.7 | | 5.25 | V | |
| 8 | Off- Hook Detect Output Low Current (on-hook) Input High Current. (activation) | I_{OL} | | | 8 | mA | |
| | | I_{OH} | | | -400 | μA | |
| 9 | RC Control Input Input Low Volt. (no activation) Input High Volt. (activation) | V_{IL} | | | 0.7 | V | Active high logic |
| | | V_{IH} | 2.0 | | | V | |
| 10 | RC control Input Input Low Current (no activation) Input high current (activation) | I_{IL} | | | -50 | μA | |
| | | I_{IH} | | | 50 | μA | |

[†] DC Electrical Characteristics are over recommended operating supply voltages.

* Typical figures are at 25°C with nominal +/-5V supplies and are for design aid only.

AC Electrical Characteristics

| | Characteristics | Sym | Min | Typ* | Max | Units | Test Conditions |
|----|---|------------|----------------|----------------|------------------------|----------------------------------|---|
| 1 | Ring Voltage | V_{RING} | 40 | | 90 25 | V_{rms} Hz | Superimposed on $V_{Bat} = -48V$ |
| 2 | Ringer Equivalence Number | REN | | | 3 | | |
| 3 | Ring Trip Detect time | | | 100 | | ms | |
| 4 | Input AC Impedance 2-wire (1) | Z_{in} | | 719 | | Ω | @1020Hz |
| 5 | Input Impedance at V_R | | | 100 | | $k\Omega$ | |
| 6 | Output Impedance at V_X | | | 10 | | Ω | |
| 7 | Gain 2-wire to V_X Gain relative to Gain @ 1kHz | | | 0 | | dB dB dB | Input 3 dBm, 1kHz across Tip and Ring, 300Hz & 3k4Hz 600Hz & 2k4Hz Z_{Load} See Note (1). |
| 8 | Gain V_R to 2-wire Gain relative to Gain @ 1kHz with \overline{GS} @ logic high | | | 0 | | dB dB dB dB | Input 1.0V _{rms} , 1kHz @ V_R with \overline{GS} @ at logic high with \overline{GS} @ at logic low 300Hz & 3k4Hz 600Hz & 2k4Hz Z_{Load} , See Note (1). |
| 9 | 2-wire Return Loss over 300-3400Hz | | 20 | 30 | | dB | Input 0.5 V _{rms} , across Tip and Ring, Z_{Load} = complex network. See Note (1). |
| 10 | Transhybrid Loss over 300-3400 Hz | THL | 20 | 35 | | dB | Input 0.5V V _{rms} , Z_{Load} = complex network. See Note (1). |
| 11 | Longitudinal to Metallic Balance over 300-3400 Hz | | 46 | 55 | | dB | Input 1 V _{rms} |
| 12 | Total Harmonic Distortion at V_X at Tip and Ring | THD | | 0.1 | 1.0 | % % | Input 3dBm, 1 kHz across Tip and Ring, Input 1.0 V _{rms} 1kHz at V_R |
| 13 | Common Mode Rejection Ratio 2-wire to V_X | CMRR | 40 | 50 | | dB | Input 1 V _{rms} , 1KHz |
| 14 | Idle channel Noise (at V_X) (at T & R) | Nc | | | 14 -76 12 -78 | dBrnC dBrnp dBrnC dBrnp | C- Message psophometric C- Message psophometric |
| 15 | Power supply rejection ratio V_{DD} V_{EE} V_{Bat} | PSRR | 20 20 20 | 30 30 30 | | dB dB dB | 1 V _{PP} ripple, 1kHz on $V_{DD}/V_{EE}/V_{Bat}$, measure at V_X and across Tip and Ring |

* Typical figure are at 25°C and are for design aid only: not guaranteed and not subject to production testing.

Note (1): $Z_{in} = 200 + 560\Omega // 0.1\mu F$

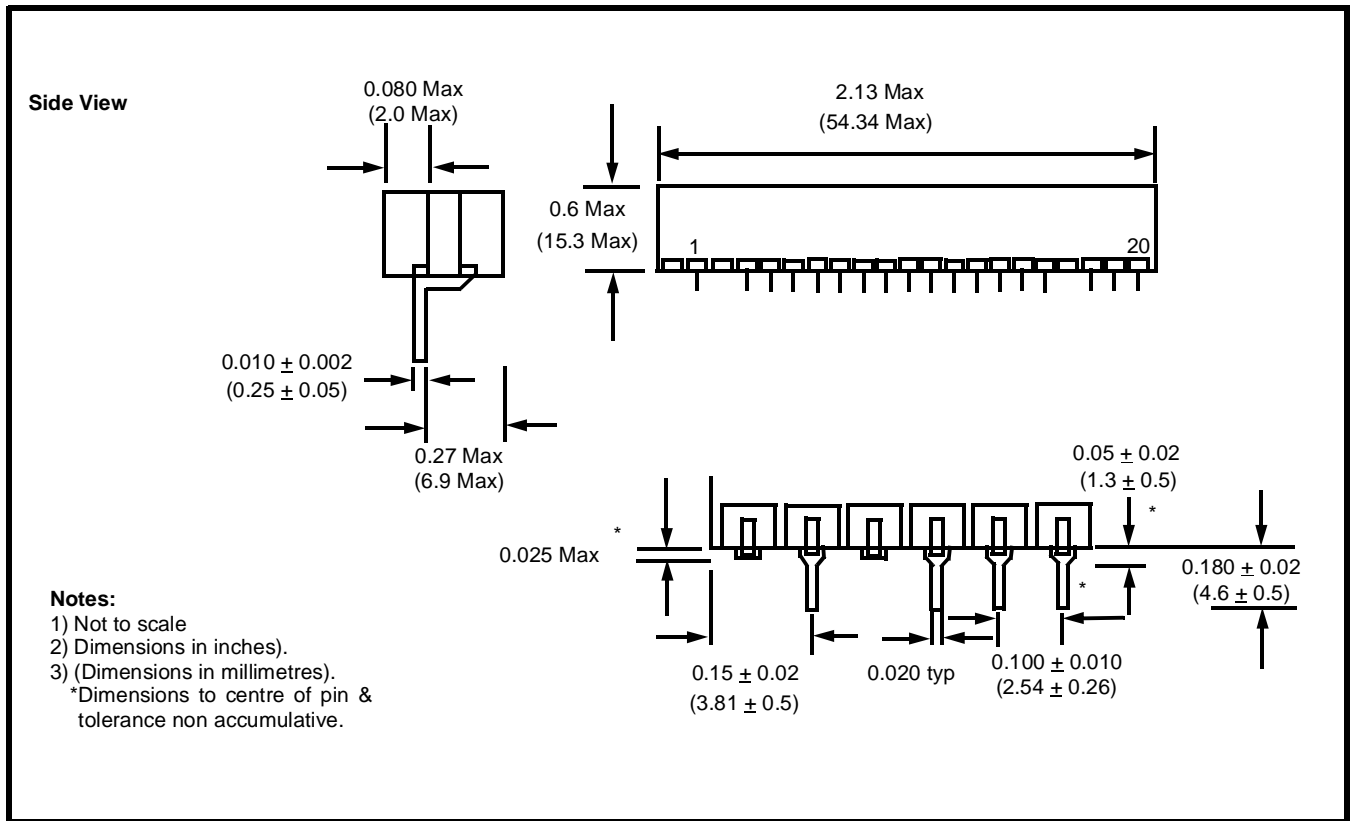


Figure 4 - Mechanical Data

Notes: