

Advance Information

PNP Silicon Power Transistor

The MJE9780 is designed for vertical output of 14-inch to 17-inch televisions and CRT monitors, as well as other applications requiring a 150 volt PNP transistor.

Features:

- Standard TO-220AB Package
- Gain Range of 50 – 200 at 500 mAdc/10 volts

MAXIMUM RATINGS (T_C = 25°C unless otherwise noted)

Rating	Symbol	MJE9780	Unit
Collector–Emitter Sustaining Voltage	V _{CEO}	150	Vdc
Collector–Base Voltage	V _{CBO}	200	Vdc
Emitter–Base Voltage	V _{EBO}	6.0	Vdc
Collector Current — Continuous	I _C	3.0	Adc
— Peak	I _{CM}	5.0	
Total Power Dissipation (T _A = 25°C)	P _D	2.0	Watts
Derate above 25°C		0.016	W/°C
Total Power Dissipation	P _D	40	Watts
Derate above 25°C		0.32	W/°C
Operating and Storage Temperature	T _J , T _{stg}	– 55 to 150	°C

THERMAL CHARACTERISTICS

Thermal Resistance — Junction to Case	R _{θJC}	3.12	°C/W
— Junction to Ambient	R _{θJA}	62.5	
Maximum Lead Temperature for Soldering Purposes: 1/8" from Case for 5 Seconds	T _L	260	°C

ELECTRICAL CHARACTERISTICS (T_C = 25°C unless otherwise noted)

Characteristics	Symbol	Min	Typ	Max	Unit
OFF CHARACTERISTICS*					
Collector–Emitter Sustaining Voltage (I _C = 50 mA, I _B = 0)	V _{CEO(sus)}	150	—	—	Vdc
Collector–Base Voltage (I _C = 5.0 mAdc)	V _{CBO}	200	—	—	Vdc
Emitter–Base Voltage (I _B = 5.0 mAdc)	V _{EBO}	6.0	—	—	Vdc
Emitter Cutoff Current (V _{EB} = 5.0 Vdc, I _C = 0)	I _{EBO}	—	—	10	μAdc
Collector Cutoff Current (V _{CB} = 150 Vdc, I _E = 0)	I _{CBO}	—	—	10	μAdc

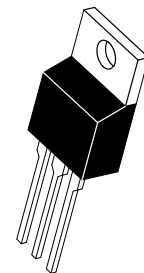
* Indicates Pulse Test: P.W. = 300 μsec max, Duty Cycle = 2%.

(continued)

MJE9780*

*Motorola Preferred Device

**PNP SILICON POWER
TRANSISTOR
3.0 AMPERES
150 VOLTS**



**CASE 221A-06
TO-220AB**

This document contains information on a new product. Specifications and information herein are subject to change without notice.

Preferred devices are Motorola recommended choices for future use and best overall value.

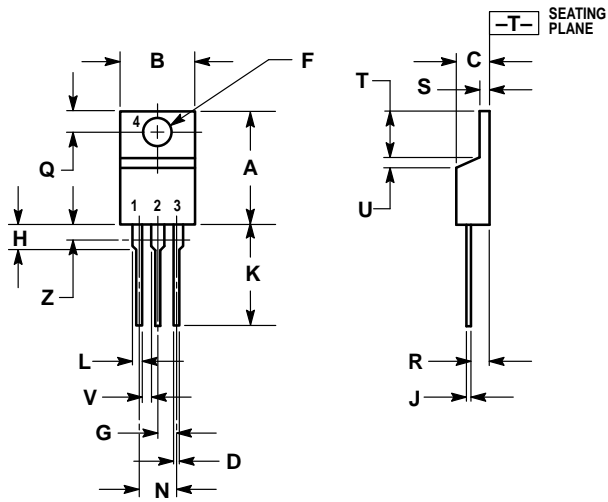
REV 7

MJE9780**ELECTRICAL CHARACTERISTICS — continued** ($T_C = 25^\circ\text{C}$ unless otherwise noted)

Characteristics	Symbol	Min	Typ	Max	Unit
ON CHARACTERISTICS*					
Collector–Emitter Saturation Voltage ($I_C = 500\text{ mAdc}$, $I_B = 50\text{ mAdc}$)	$V_{CE(\text{sat})}$	—	—	0.8	Vdc
Base–Emitter On Voltage ($I_C = 500\text{ mAdc}$, $V_{CE} = 4.0\text{ Vdc}$)	$V_{BE(\text{on})}$	—	—	1.5	Vdc
DC Current Gain ($I_C = 50\text{ mAdc}$, $V_{CE} = 10\text{ Vdc}$) ($I_C = 500\text{ mAdc}$, $V_{CE} = 10\text{ Vdc}$)	h_{FE}	60 50	— —	— 200	—
DYNAMIC CHARACTERISTICS					
Current Gain Bandwidth Product ($I_C = 500\text{ mAdc}$, $V_{CE} = 10\text{ Vdc}$, $f = 1.0\text{ MHz}$)	f_T	—	5.0	—	MHz

* Indicates Pulse Test: P.W. = 300 μsec max, Duty Cycle = 2%.

PACKAGE DIMENSIONS



- NOTES:
1. DIMENSIONING AND TOLERANCING PER ANSI Y14.5M, 1982.
 2. CONTROLLING DIMENSION: INCH.
 3. DIMENSION Z DEFINES A ZONE WHERE ALL BODY AND LEAD IRREGULARITIES ARE ALLOWED.

DIM	INCHES		MILLIMETERS	
	MIN	MAX	MIN	MAX
A	0.570	0.620	14.48	15.75
B	0.380	0.405	9.66	10.28
C	0.160	0.190	4.07	4.82
D	0.025	0.035	0.64	0.88
F	0.142	0.147	3.61	3.73
G	0.095	0.105	2.42	2.66
H	0.110	0.155	2.80	3.93
J	0.018	0.025	0.46	0.64
K	0.500	0.562	12.70	14.27
L	0.045	0.060	1.15	1.52
N	0.190	0.210	4.83	5.33
Q	0.100	0.120	2.54	3.04
R	0.080	0.110	2.04	2.79
S	0.045	0.055	1.15	1.39
T	0.235	0.255	5.97	6.47
U	0.000	0.050	0.00	1.27
V	0.045	—	1.15	—
Z	—	0.080	—	2.04

- STYLE 1:
 PIN 1. BASE
 2. COLLECTOR
 3. EMITTER
 4. COLLECTOR

**CASE 221A-06
 TO-220AB
 ISSUE Y**

Motorola reserves the right to make changes without further notice to any products herein. Motorola makes no warranty, representation or guarantee regarding the suitability of its products for any particular purpose, nor does Motorola assume any liability arising out of the application or use of any product or circuit, and specifically disclaims any and all liability, including without limitation consequential or incidental damages. "Typical" parameters can and do vary in different applications. All operating parameters, including "Typicals" must be validated for each customer application by customer's technical experts. Motorola does not convey any license under its patent rights nor the rights of others. Motorola products are not designed, intended, or authorized for use as components in systems intended for surgical implant into the body, or other applications intended to support or sustain life, or for any other application in which the failure of the Motorola product could create a situation where personal injury or death may occur. Should Buyer purchase or use Motorola products for any such unintended or unauthorized application, Buyer shall indemnify and hold Motorola and its officers, employees, subsidiaries, affiliates, and distributors harmless against all claims, costs, damages, and expenses, and reasonable attorney fees arising out of, directly or indirectly, any claim of personal injury or death associated with such unintended or unauthorized use, even if such claim alleges that Motorola was negligent regarding the design or manufacture of the part. Motorola and  are registered trademarks of Motorola, Inc. Motorola, Inc. is an Equal Opportunity/Affirmative Action Employer.

How to reach us:

USA / EUROPE: Motorola Literature Distribution;
P.O. Box 20912; Phoenix, Arizona 85036. 1-800-441-2447

JAPAN: Nippon Motorola Ltd.; Tatsumi-SPD-JLDC, Toshikatsu Otsuki,
6F Seibu-Butsuryu-Center, 3-14-2 Tatsumi Koto-Ku, Tokyo 135, Japan. 03-3521-8315

MFAX: RMFAX0@email.sps.mot.com - TOUCHTONE (602) 244-6609
INTERNET: <http://Design-NET.com>

HONG KONG: Motorola Semiconductors H.K. Ltd.; 8B Tai Ping Industrial Park,
51 Ting Kok Road, Tai Po, N.T., Hong Kong. 852-26629298

