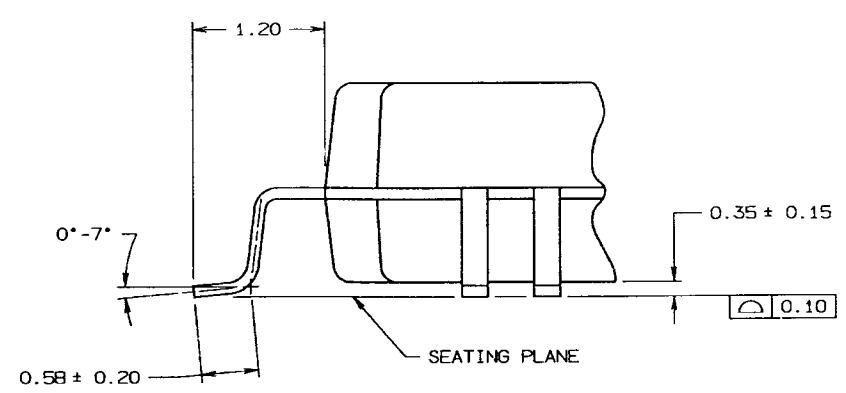
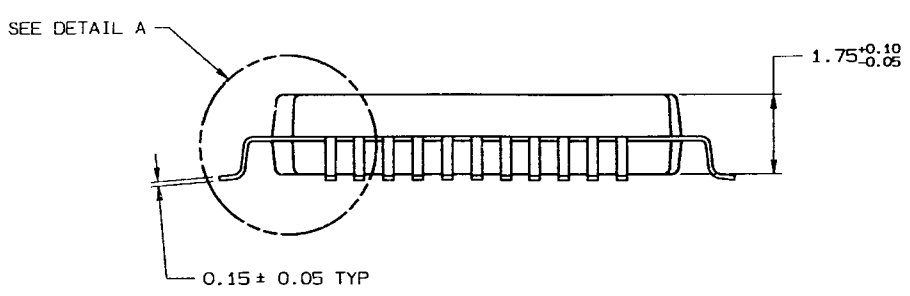
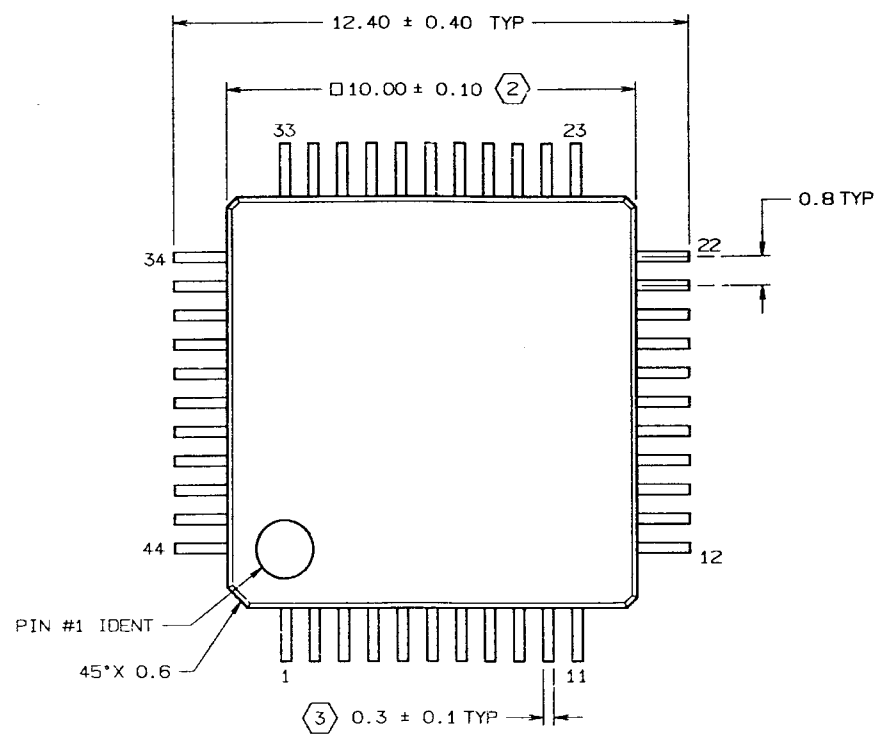


REVISIONS				
LTR	DESCRIPTION	E.C.N.	DATE	BY/APP'D
A	RELEASE TO DOCUMENT CONTROL	09077	04/01/92	MS/H.S.



NOTES: UNLESS OTHERWISE SPECIFIED

1. STANDARD LEAD FINISH:
5.08 MICROMETERS MINIMUM SOLDER PLATING (80/20)
THICKNESS ON ALLOY 42 / COPPER.
2. DIMENSION DOES NOT INCLUDE MOLD PROTRUSION.
MAXIMUM ALLOWABLE MOLD PROTRUSION 0.25 mm PER SIDE.
3. DIMENSION DOES NOT INCLUDE DAMBAR PROTRUSION.
ALLOWABLE DAMBAR PROTRUSION SHALL BE 0.15.

DIMENSIONS ARE IN MILLIMETERS			
APPROVALS	DATE	NATIONAL SEMICONDUCTOR CORPORATION	
DRAWN MARTA SUCHY	04/01/92	2900 Semiconductor Drive, Santa Clara, CA 95052-8030	
DFTG. CHK. [Signature]	4/07/92	PLASTIC QUAD FLATPACK, (S), 10 X 10 mm 44 LEAD	
ENGR. CHK. [Signature]	4/07/92		
APPROVAL		SCALE N/A	REV A
		SIZE C	DRAWING NUMBER MKT-VEF44A
		DO NOT SCALE DRAWING	SHEET 1 OF 1