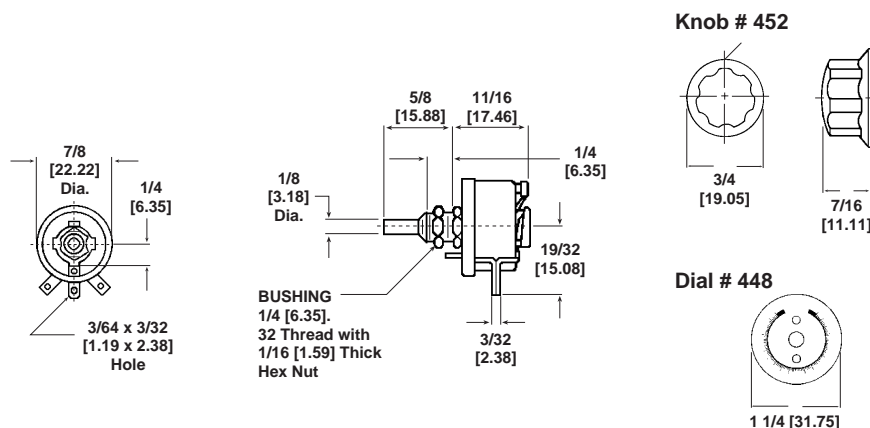


Power Rheostats

12.5 Watt


FEATURES

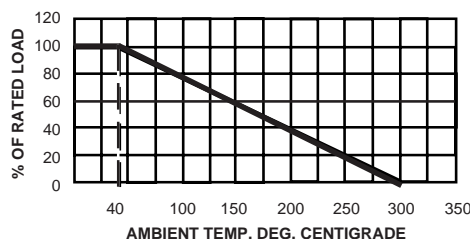
- Diameter 7/8" [22.22mm]
- Depth behind panel 11/16" [17.46mm]
- Shaft 1/8" [3.18mm] diameter
- Rotation 300° ± 5°
- Weight 0.037 pounds (17 grams)
- Mounts on panels up to 1/8" [3.18mm] by means of a 1/4" [6.35mm], 32 bushing and hex nut
- Non-turn lugs require 1/8" [3.18mm] hole, 1/4" [6.35mm] below center of shaft - Model "A" shaft

DIMENSIONS in inches [millimeters]


| RESISTANCE VALUES* | | |
|--------------------|--------------|-------------------|
| TOTAL OHMS | MAXIMUM AMPS | APPROXIMATE STEPS |
| 1.0 | 3.530 | 29 |
| 2.0 | 2.500 | 42 |
| 2.5 | 2.240 | 38 |
| 3.0 | 2.040 | 44 |
| 5.0 | 1.580 | 40 |
| 6.0 | 1.440 | 48 |
| 8.0 | 1.250 | 51 |
| 10.0 | 1.120 | 51 |
| 15.0 | 0.910 | 51 |
| 25.0 | 0.710 | 73 |
| 35.0 | 0.600 | 75 |
| 50.0 | 0.500 | 86 |
| 75.0 | 0.410 | 103 |
| 100.0 | 0.350 | 108 |
| 125.0 | 0.320 | 128 |
| 150.0 | 0.290 | 128 |
| 175.0 | 0.270 | 148 |
| 200.0 | 0.250 | 130 |
| 250.0 | 0.220 | 166 |
| 350.0 | 0.190 | 185 |
| 500.0 | 0.160 | 215 |
| 750.0 | 0.130 | 255 |
| 1000.0 | 0.110 | 260 |
| 1500.0 | 0.091 | 310 |
| 2500.0 | 0.071 | 321 |
| 3500.0 | 0.060 | 378 |
| 5000.0 | 0.050 | 430 |

DERATING

Angstromh rheostat standard wattage ratings are based on a 300°C rise in "free-air" in ambient not exceeding + 40°C (shown). For other applications, wattage ratings are available based on 340°C rise in "free-air" in ambient not exceeding + 25°C, and in other cases + 50°C.



* All other intermediate resistance values are available and can be manufactured on a normal delivery cycle.

| MARKING |
|--------------------|
| — Resistance value |
| — Amps |
| — Date code |

| ORDERING INFORMATION | | |
|---|---|---------------------|
| MP06 MODEL | A BUSHING AND SHAFT CONFIGURATION | 100 VALUE |
| | A = Standard Round Shaft | |
| NOTE: For Additional Features: Submit detailed drawing information when ordering "non-standard" parts. | | |



Notice

Specifications of the products displayed herein are subject to change without notice. Vishay Intertechnology, Inc., or anyone on its behalf, assumes no responsibility or liability for any errors or inaccuracies.

Information contained herein is intended to provide a product description only. No license, express or implied, by estoppel or otherwise, to any intellectual property rights is granted by this document. Except as provided in Vishay's terms and conditions of sale for such products, Vishay assumes no liability whatsoever, and disclaims any express or implied warranty, relating to sale and/or use of Vishay products including liability or warranties relating to fitness for a particular purpose, merchantability, or infringement of any patent, copyright, or other intellectual property right.

The products shown herein are not designed for use in medical, life-saving, or life-sustaining applications. Customers using or selling these products for use in such applications do so at their own risk and agree to fully indemnify Vishay for any damages resulting from such improper use or sale.