



# Integrated Silicon Pressure Sensor On-Chip Signal Conditioned, Temperature Compensated and Calibrated

The MPX4250D series piezoresistive transducer is a state-of-the-art monolithic silicon pressure sensor designed for a wide range of applications, but particularly those employing a microcontroller or microprocessor with A/D inputs. This patented, single element transducer combines advanced micromachining techniques, thin-film metallization, and bipolar processing to provide an accurate, high level analog output signal that is proportional to the applied pressure.

### Features

- Differential and Gauge Applications Only
- 1.4% Maximum Error Over 0° to 85°C
- Ideally suited for Microprocessor Interfacing
- Patented Silicon Shear Stress Strain Gauge
- Temperature Compensated Over -40° to +125°C
- Offers Reduction in Weight and Volume Compared to Existing Hybrid Modules
- Durable Epoxy Unibody Element

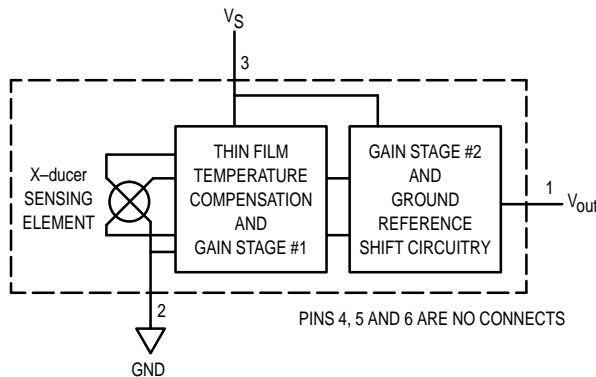


Figure 1. Fully Integrated Pressure Sensor Schematic

### MAXIMUM RATINGS(1)

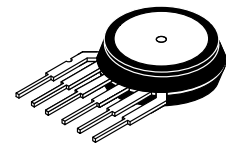
Parametrics	Symbol	Value	Unit
Overpressure <sup>(2)</sup> (P1 > P2)	P <sub>max</sub>	400	kPa
Burst Pressure <sup>(2)</sup> (P1 > P2)	P <sub>burst</sub>	1000	kPa
Storage Temperature	T <sub>stg</sub>	-40° to +125°	°C
Operating Temperature	T <sub>A</sub>	-40° to +125°	°C

1. T<sub>C</sub> = 25°C unless otherwise noted.

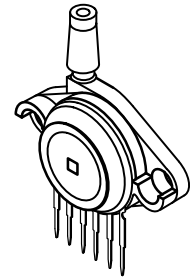
2. Exposure beyond the specified limits may cause permanent damage or degradation to the device.

## MPX4250D SERIES

**OPERATING OVERVIEW**  
**INTEGRATED**  
**PRESSURE SENSOR**  
**0 to 250 kPa (0 to 36.3 psi)**  
**0.2 to 4.91 Volts Output**



**BASIC CHIP**  
**CARRIER ELEMENT**  
**CASE 867-08, STYLE 1**



**PORT OPTION**  
**CASE 867B-04, STYLE 1**

### PIN NUMBER

1	V <sub>out</sub>	4	N/C
2	Gnd	5	N/C
3	V <sub>S</sub>	6	N/C

NOTE: Pins 4, 5, and 6 are internal device connections. Do not connect to external circuitry or ground. Pin 1 is noted by the notch in the Lead.

Senseon and X-ducer are trademarks of Motorola, Inc.

REV 1

## MPX4250D SERIES

### OPERATING CHARACTERISTICS ( $V_S = 5.1$ Vdc, $T_A = 25^\circ\text{C}$ unless otherwise noted, $P_1 > P_2$ )

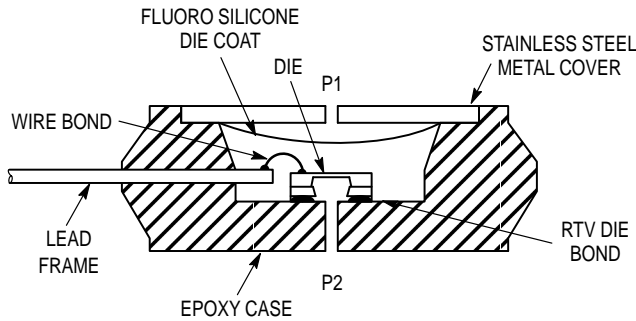
Characteristic	Symbol	Min	Typ	Max	Unit
Pressure Range <sup>(1)</sup>	$P_{OP}$	0	—	250	kPa
Supply Voltage <sup>(2)</sup>	$V_S$	4.85	5.1	5.35	Vdc
Supply Current	$I_o$	—	7.0	10	mAdc
Minimum Pressure Offset <sup>(3)</sup> @ $V_S = 5.1$ Volts	$V_{OFF}$	0.139	0.204	0.269	Vdc
Full Scale Output <sup>(4)</sup> @ $V_S = 5.1$ Volts	$V_{FSO}$	4.844	4.909	4.974	Vdc
Full Scale Span <sup>(5)</sup> @ $V_S = 5.1$ Volts	$V_{FSS}$	—	4.705	—	Vdc
Accuracy <sup>(6)</sup>	—	—	—	$\pm 1.4$	% $V_{FSS}$
Sensitivity	$\Delta V/\Delta P$	—	18.8	—	mV/kPa
Response Time <sup>(7)</sup>	$t_R$	—	1.0	—	ms
Output Source Current at Full Scale Output	$I_{o+}$	—	0.1	—	mAdc
Warm-Up Time <sup>(8)</sup>	—	—	20	—	mSec
Offset Stability <sup>(9)</sup>	—	—	$\pm 0.5$	—	% $V_{FSS}$

### MECHANICAL CHARACTERISTICS

Characteristic	Symbol	Min	Typ	Max	Unit
Weight, Basic Element (Case 867)	—	—	4.0	—	Grams
Common Mode Line Pressure <sup>(10)</sup>	—	—	—	690	kPa

#### NOTES:

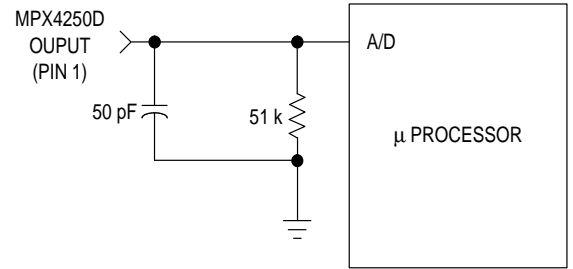
- 1.0 kPa (kiloPascal) equals 0.145 psi.
- Device is ratiometric within this specified excitation range.
- Offset ( $V_{off}$ ) is defined as the output voltage at the minimum rated pressure.
- Full Scale Output ( $V_{FSO}$ ) is defined as the output voltage at the maximum or full rated pressure.
- Full Scale Span ( $V_{FSS}$ ) is defined as the algebraic difference between the output voltage at full rated pressure and the output voltage at the minimum rated pressure.
- Accuracy (error budget) consists of the following:
  - Linearity: Output deviation from a straight line relationship with pressure over the specified pressure range.
  - Temperature Hysteresis: Output deviation at any temperature within the operating temperature range, after the temperature is cycled to and from the minimum or maximum operating temperature points, with zero differential pressure applied.
  - Pressure Hysteresis: Output deviation at any pressure within the specified range, when this pressure is cycled to and from the minimum or maximum rated pressure, at  $25^\circ\text{C}$ .
  - TcSpan: Output deviation over the temperature range of  $0^\circ$  to  $85^\circ\text{C}$ , relative to  $25^\circ\text{C}$ .
  - TcOffset: Output deviation with minimum rated pressure applied, over the temperature range of  $0^\circ$  to  $85^\circ\text{C}$ , relative to  $25^\circ\text{C}$ .
  - Variation from Nominal: The variation from nominal values, for Offset or Full Scale Span, as a percent of  $V_{FSS}$ , at  $25^\circ\text{C}$ .
- Response Time is defined as the time for the incremental change in the output to go from 10% to 90% of its final value when subjected to a specified step change in pressure.
- Warm-up is defined as the time required for the product to meet the specified output voltage after the Pressure has been stabilized.
- Offset stability is the product's output deviation when subjected to 1000 hours of Pulsed Pressure, Temperature Cycling with Bias Test.
- Common mode pressures beyond what is specified may result in leakage at the case-to-lead interface.



**Figure 2. Cross-Sectional Diagram (Not to Scale)**

Figure 2 illustrates the Differential/Gauge Pressure Sensing Chip in the basic chip carrier (Case 867). A fluorosilicone gel isolates the die surface and wire bonds from the environment, while allowing the pressure signal to be transmitted to the sensor diaphragm.

The MPX4250D series pressure sensor operating characteristics, and internal reliability and qualification tests are based on use of dry air as the pressure media. Media, other than dry air, may have adverse effects on sensor performance and long-term reliability. Contact the factory for information

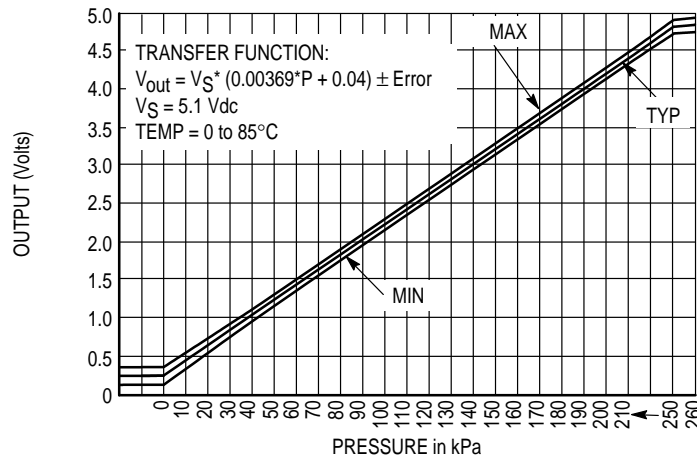


**Figure 3. Typical Decoupling Filter for Sensor to Microprocessor Interface**

regarding media compatibility in your application.

Figure 3 shows a typical decoupling circuit for interfacing the integrated sensor to the A/D input of a microprocessor. Proper decoupling of the power supply is recommended.

Figure 4 shows the sensor output signal relative to pressure input. Typical, minimum, and maximum output curves are shown for operation over a temperature range of 0° to 85°C using the decoupling circuit below. (The output will saturate outside of the specified pressure range.)



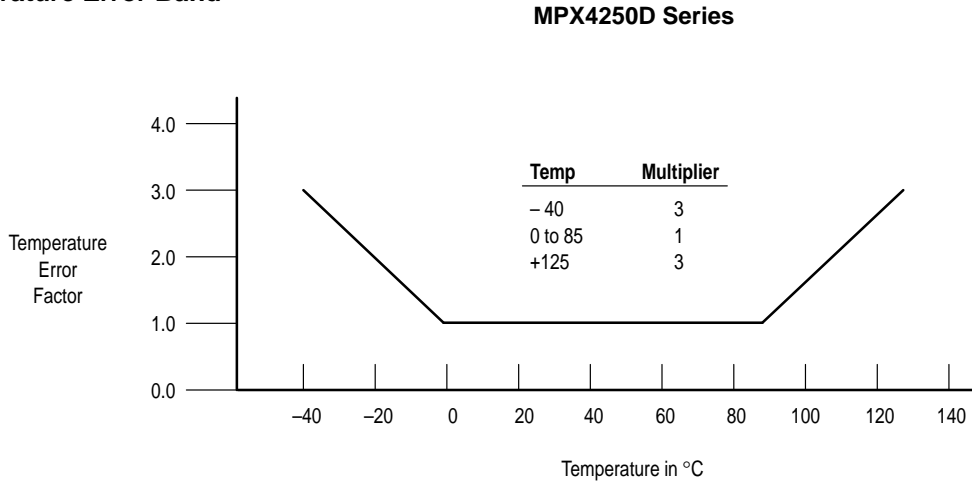
**Figure 4. Output versus Differential Pressure**

## MPX4250D SERIES

### Transfer Function (MPX4250D)

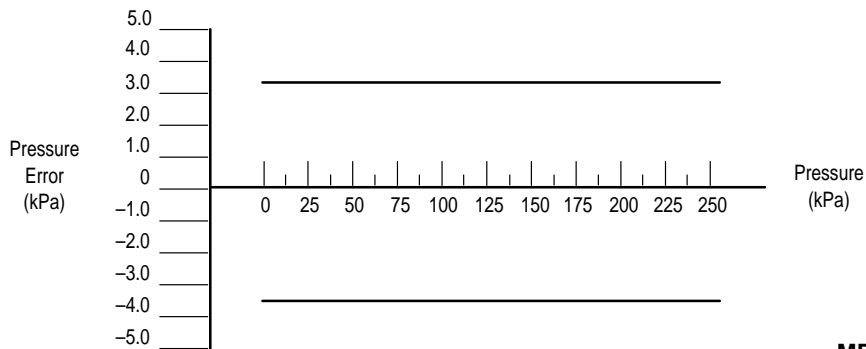
**Nominal Transfer Value:**  $V_{out} = V_S \times (0.00369 \times P + 0.04)$   
 $\pm (\text{Pressure Error} \times \text{Temp. Factor} \times 0.00369 \times V_S)$   
 $V_S = 5.1 \pm 0.25 \text{ Vdc}$

### Temperature Error Band



NOTE: The Temperature Multiplier is a linear response from 0° to -40°C and from 85° to 125°C.

### Pressure Error Band



#### MPX4250D Series

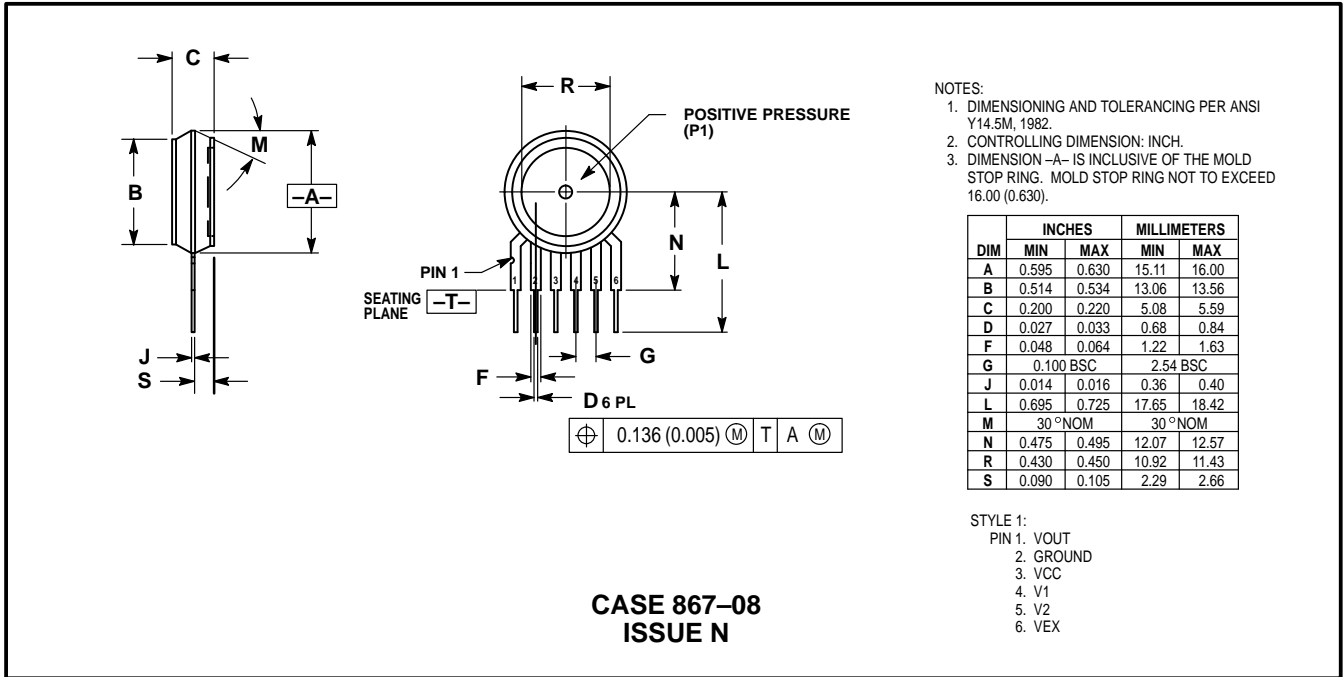
Pressure	Error (max)
0 to 250 kPa	± 3.45 kPa

## ORDERING INFORMATION

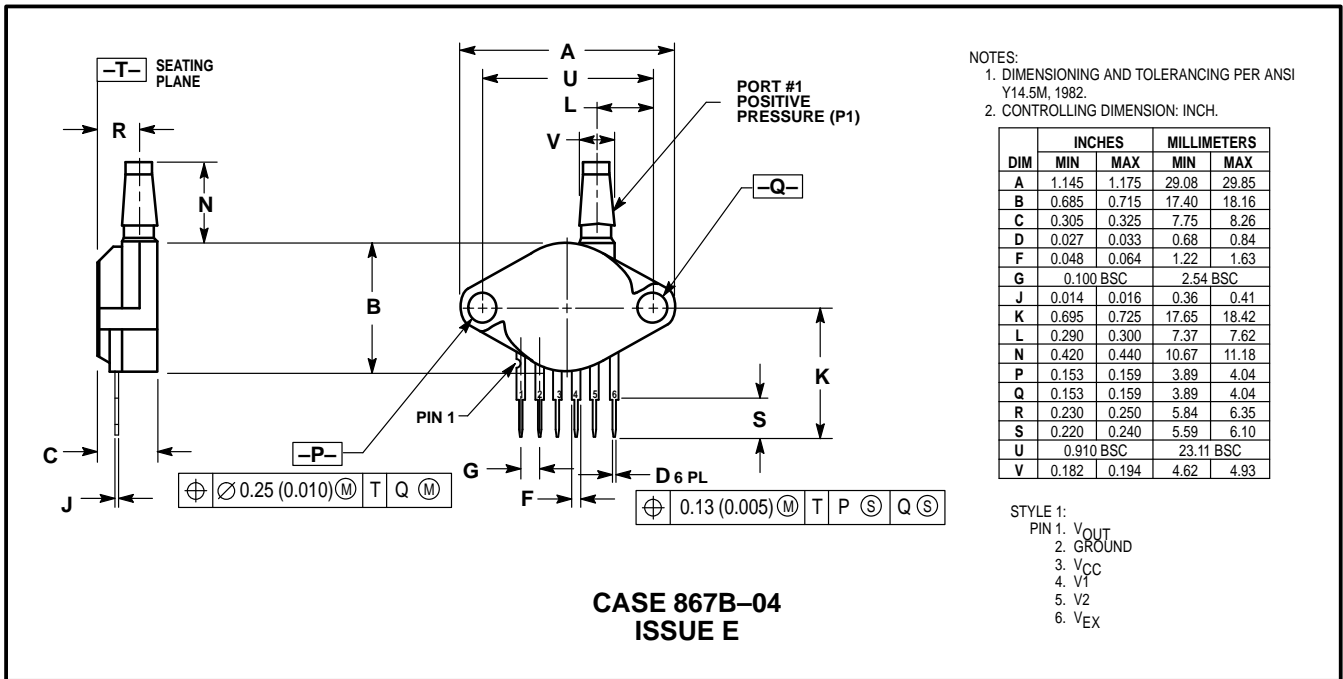
The MPX4250D series silicon pressure sensors are available in the basic element package or with pressure port fittings that provide mounting ease and barbed hose connections.

Device Type	Options	Case No.	MPX Series Order No.	Marking
Basic Element	Differential/Gauge, Element	Case 867-08	MPX4250D	MPX4250D
Ported Elements	Differential/Gauge, Ported	Case 867B-04	MPX4250DP	MPX4250DP
	Differential/Gauge, Stove Pipe Port	Case 867E-03	MPX4250GS	MPX4250D
	Differential/Gauge, Axial Port	Case 867F-03	MPX4250GSX	MPX4250D

PACKAGE DIMENSIONS

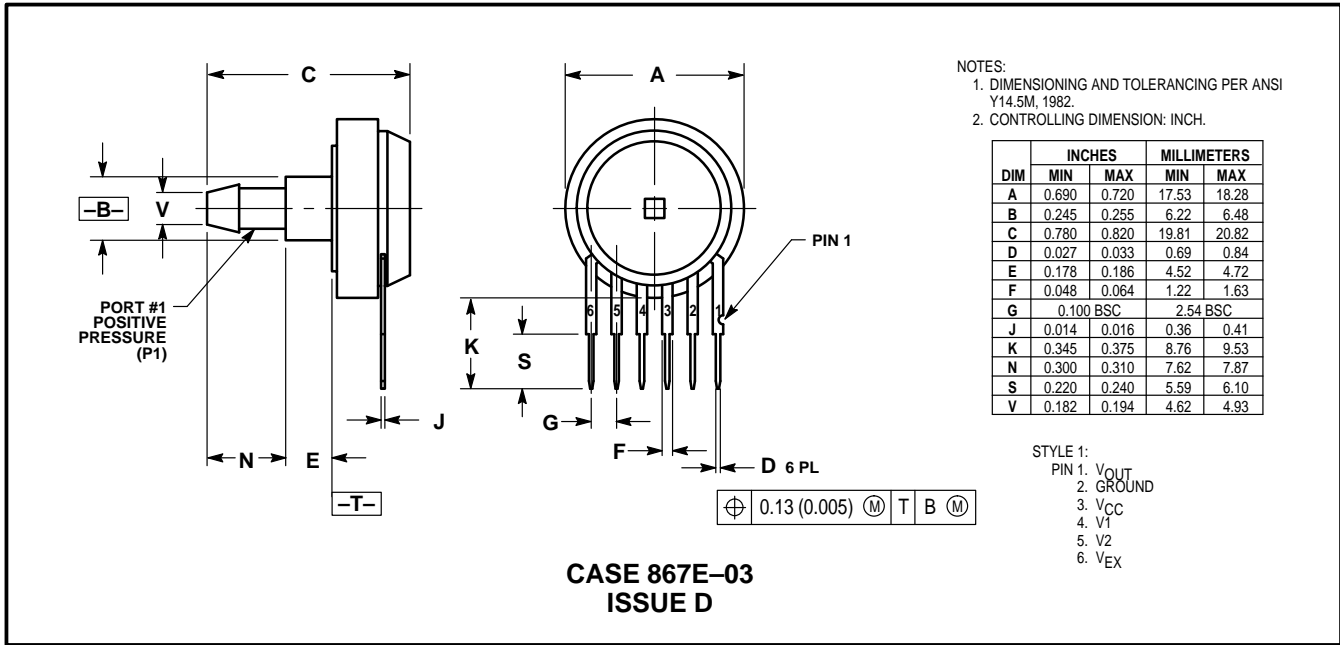


BASIC ELEMENT (D)

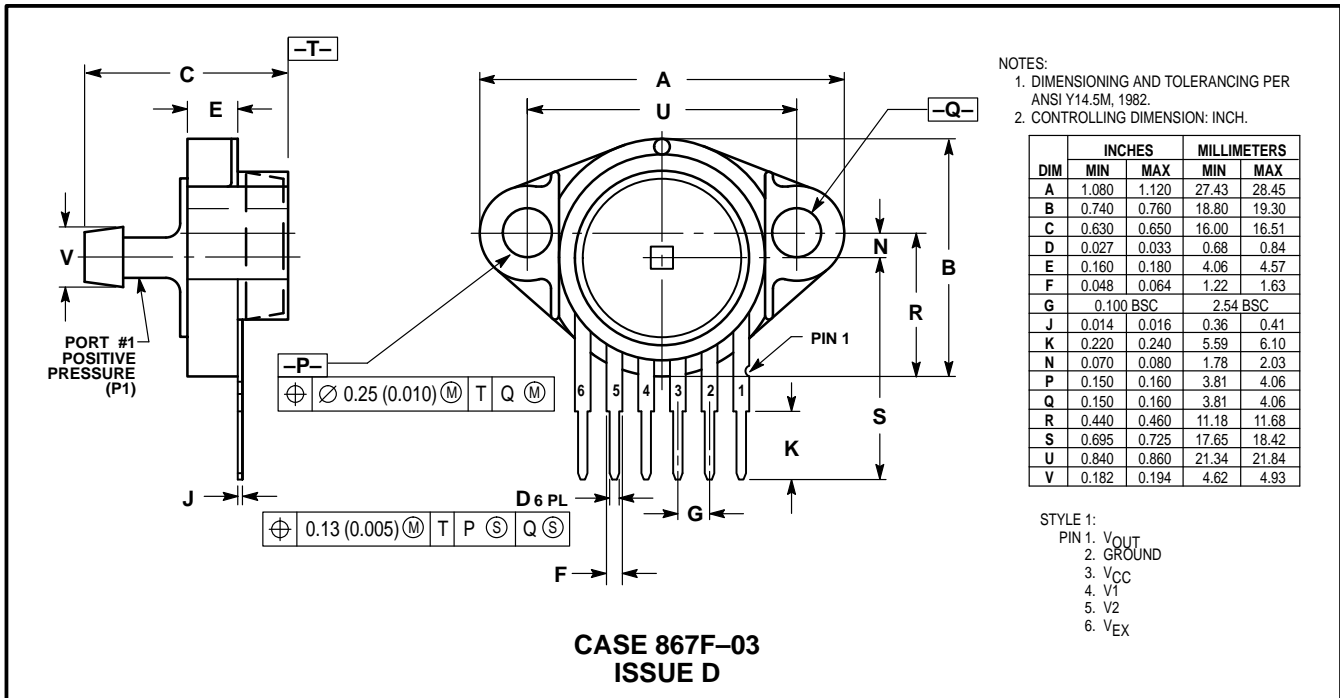


PRESSURE SIDE PORTED (AP)


**PACKAGE DIMENSIONS – CONTINUED**



**PRESSURE SIDE PORTED (AS)**



**PRESSURE SIDE PORTED (ASX)**

Motorola reserves the right to make changes without further notice to any products herein. Motorola makes no warranty, representation or guarantee regarding the suitability of its products for any particular purpose, nor does Motorola assume any liability arising out of the application or use of any product or circuit, and specifically disclaims any and all liability, including without limitation consequential or incidental damages. "Typical" parameters which may be provided in Motorola data sheets and/or specifications can and do vary in different applications and actual performance may vary over time. All operating parameters, including "Typicals" must be validated for each customer application by customer's technical experts. Motorola does not convey any license under its patent rights nor the rights of others. Motorola products are not designed, intended, or authorized for use as components in systems intended for surgical implant into the body, or other applications intended to support or sustain life, or for any other application in which the failure of the Motorola product could create a situation where personal injury or death may occur. Should Buyer purchase or use Motorola products for any such unintended or unauthorized application, Buyer shall indemnify and hold Motorola and its officers, employees, subsidiaries, affiliates, and distributors harmless against all claims, costs, damages, and expenses, and reasonable attorney fees arising out of, directly or indirectly, any claim of personal injury or death associated with such unintended or unauthorized use, even if such claim alleges that Motorola was negligent regarding the design or manufacture of the part. Motorola and  are registered trademarks of Motorola, Inc. Motorola, Inc. is an Equal Opportunity/Affirmative Action Employer.

## MPX4250D SERIES

Mfax is a trademark of Motorola, Inc.

**How to reach us:**

**USA/EUROPE/Locations Not Listed:** Motorola Literature Distribution;  
P.O. Box 5405, Denver, Colorado 80217. 303-675-2140 or 1-800-441-2447

**JAPAN:** Nippon Motorola Ltd.; Tatsumi-SPD-JLDC, 6F Seibu-Butsuryu-Center,  
3-14-2 Tatsumi Koto-Ku, Tokyo 135, Japan. 81-3-3521-8315

**Mfax™:** RMFAX0@email.sps.mot.com – TOUCHTONE 602-244-6609  
– US & Canada ONLY 1-800-774-1848

**ASIA/PACIFIC:** Motorola Semiconductors H.K. Ltd.; 8B Tai Ping Industrial Park,  
51 Ting Kok Road, Tai Po, N.T., Hong Kong. 852-26629298

**INTERNET:** <http://motorola.com/sps>



**MOTOROLA**



---

MPX4250D/D