

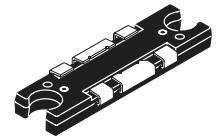
The RF MOSFET Line  
**RF Power Field Effect Transistors**  
**N-Channel Enhancement-Mode Lateral MOSFETs**

**MRF1550T1**  
**MRF1550FT1**

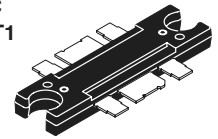
Designed for broadband commercial and industrial applications with frequencies to 175 MHz. The high gain and broadband performance of these devices make them ideal for large-signal, common source amplifier applications in 12.5 volt mobile FM equipment.

**175 MHz, 50 W, 12.5 V**  
**LATERAL N-CHANNEL**  
**BROADBAND**  
**RF POWER MOSFETs**

- Specified Performance @ 175 MHz, 12.5 Volts  
 Output Power — 50 Watts  
 Power Gain — 12 dB  
 Efficiency — 50%
- Capable of Handling 20:1 VSWR, @ 15.6 Vdc, 175 MHz, 2 dB Overdrive
- Excellent Thermal Stability
- Characterized with Series Equivalent Large-Signal Impedance Parameters
- Broadband-Full Power Across the Band: 135-175 MHz
- Broadband Demonstration Amplifier Information Available Upon Request
- In Tape and Reel. T1 Suffix = 500 Units per 44 mm, 13 inch Reel.



CASE 1264-09, STYLE 1  
 TO-272  
 PLASTIC  
 MRF1550T1



CASE 1264A-02, STYLE 1  
 TO-272 STRAIGHT LEAD  
 PLASTIC  
 MRF1550FT1

**MAXIMUM RATINGS**

Rating	Symbol	Value	Unit
Drain-Source Voltage	V <sub>DSS</sub>	40	Vdc
Gate-Source Voltage	V <sub>GS</sub>	±20	Vdc
Drain Current — Continuous	I <sub>D</sub>	12	Adc
Total Device Dissipation @ T <sub>C</sub> = 25°C (1) Derate above 25°C	P <sub>D</sub>	165 0.50	Watts W/°C
Storage Temperature Range	T <sub>stg</sub>	-65 to +150	°C
Operating Junction Temperature	T <sub>J</sub>	175	°C

**THERMAL CHARACTERISTICS**

Characteristic	Symbol	Max	Unit
Thermal Resistance, Junction to Case	R <sub>θJC</sub>	0.75	°C/W

(1) Calculated based on the formula  $P_D = \frac{T_J - T_C}{R_{\theta JC}}$

**NOTE – CAUTION** – MOS devices are susceptible to damage from electrostatic charge. Reasonable precautions in handling and packaging MOS devices should be observed.

# Freescale Semiconductor, Inc.

## ELECTRICAL CHARACTERISTICS — continued ( $T_C = 25^\circ\text{C}$ unless otherwise noted)

Characteristic	Symbol	Min	Typ	Max	Unit
----------------	--------	-----	-----	-----	------

### OFF CHARACTERISTICS

Zero Gate Voltage Drain Current ( $V_{DS} = 60\text{ Vdc}$ , $V_{GS} = 0\text{ Vdc}$ )	$I_{DSS}$	—	—	1	$\mu\text{A dc}$
Gate–Source Leakage Current ( $V_{GS} = 10\text{ Vdc}$ , $V_{DS} = 0\text{ Vdc}$ )	$I_{GSS}$	—	—	0.5	$\mu\text{A dc}$

### ON CHARACTERISTICS

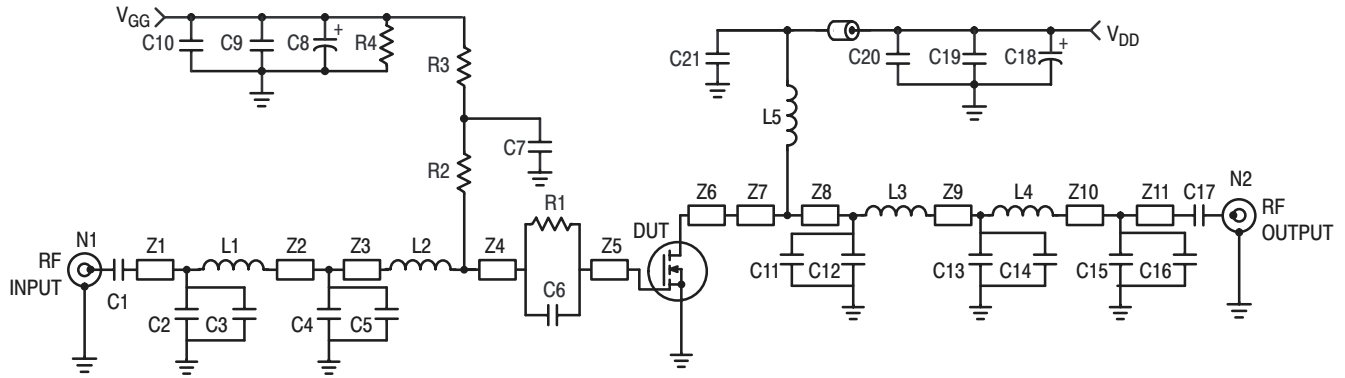
Gate Threshold Voltage ( $V_{DS} = 12.5\text{ Vdc}$ , $I_D = 800\ \mu\text{A}$ )	$V_{GS(th)}$	1	—	3	Vdc
Drain–Source On–Voltage ( $V_{GS} = 5\text{ Vdc}$ , $I_D = 1.2\text{ A}$ )	$R_{DS(on)}$	—	—	0.5	$\Omega$
Drain–Source On–Voltage ( $V_{GS} = 10\text{ Vdc}$ , $I_D = 4.0\text{ A dc}$ )	$V_{DS(on)}$	—	—	1	Vdc

### DYNAMIC CHARACTERISTICS

Input Capacitance (Includes Input Matching Capacitance) ( $V_{DS} = 12.5\text{ Vdc}$ , $V_{GS} = 0\text{ V}$ , $f = 1\text{ MHz}$ )	$C_{iss}$	—	—	500	pF
Output Capacitance ( $V_{DS} = 12.5\text{ Vdc}$ , $V_{GS} = 0\text{ V}$ , $f = 1\text{ MHz}$ )	$C_{oss}$	—	—	250	pF
Reverse Transfer Capacitance ( $V_{DS} = 12.5\text{ Vdc}$ , $V_{GS} = 0\text{ V}$ , $f = 1\text{ MHz}$ )	$C_{rss}$	—	—	35	pF

### RF CHARACTERISTICS (In Motorola Test Fixture)

Common–Source Amplifier Power Gain ( $V_{DD} = 12.5\text{ Vdc}$ , $P_{out} = 50\text{ Watts}$ , $I_{DQ} = 500\text{ mA}$ ) $f = 175\text{ MHz}$	$G_{ps}$	10	—	—	dB
Drain Efficiency ( $V_{DD} = 12.5\text{ Vdc}$ , $P_{out} = 50\text{ Watts}$ , $I_{DQ} = 500\text{ mA}$ ) $f = 175\text{ MHz}$	$\eta$	50	—	—	%
Load Mismatch ( $V_{DD} = 15.6\text{ Vdc}$ , $f = 175\text{ MHz}$ , 2 dB Input Overdrive, VSWR 20:1 at All Phase Angles)	$\Psi$	No Degradation in Output Power Before and After Test			



B1	Ferroxcube #VK200	L4	1 Turn, #26 AWG, 0.240" ID
C1	180 pF, 100 mil Chip Capacitor	L5	3 Turn, #24 AWG, 0.180" ID
C2	10 pF, 100 mil Chip Capacitor	N1, N2	Type N Flange Mounts
C3	33 pF, 100 mil Chip Capacitor	R1	5.1 Ω, 1/4 W Chip Resistor
C4, C16	24 pF, 100 mil Chip Capacitors	R2	39 Ω Chip Resistor (0805)
C5	160 pF, 100 mil Chip Capacitor	R3	1 kΩ, 1/8 W Chip Resistor
C6	240 pF, 100 mil Chip Capacitor	R4	33 kΩ, 1/4 W Chip Resistor
C7, C17	300 pF, 100 mil Chip Capacitors	Z1	1.000" x 0.080" Microstrip
C8, C18	10 μF, 50 V Electrolytic Capacitors	Z2	0.400" x 0.080" Microstrip
C9, C19	0.1 μF, 100 mil Chip Capacitors	Z3	0.200" x 0.080" Microstrip
C10	470 pF, 100 mil Chip Capacitor	Z4	0.200" x 0.080" Microstrip
C11, C12	200 pF, 100 mil Chip Capacitors	Z5, Z6	0.100" x 0.223" Microstrip
C13	22 pF, 100 mil Chip Capacitor	Z7	0.160" x 0.080" Microstrip
C14	30 pF, 100 mil Chip Capacitor	Z8	0.260" x 0.080" Microstrip
C15	6.8 pF, 100 mil Chip Capacitor	Z9	0.280" x 0.080" Microstrip
C20	1,000 pF, 100 mil Chip Capacitor	Z10	0.270" x 0.080" Microstrip
L1	18.5 nH, Coilcraft #A05T	Z11	0.730" x 0.080" Microstrip
L2	5 nH, Coilcraft #A02T	Board	Glass Teflon <sup>®</sup> , 31 mils
L3	1 Turn, #24 AWG, 0.250" ID		

Figure 1. 135 – 175 MHz Broadband Test Circuit

TYPICAL CHARACTERISTICS

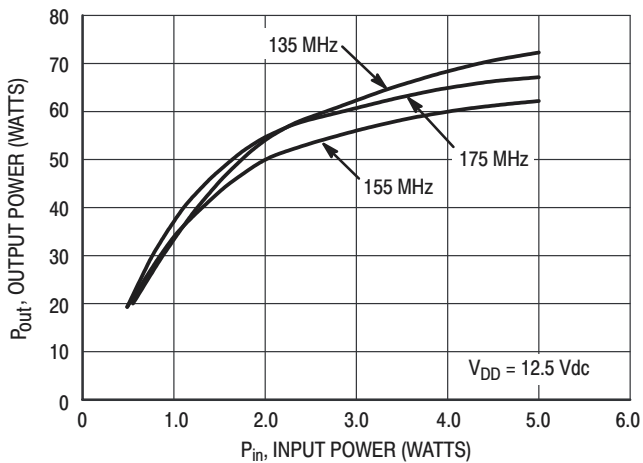


Figure 2. Output Power versus Input Power

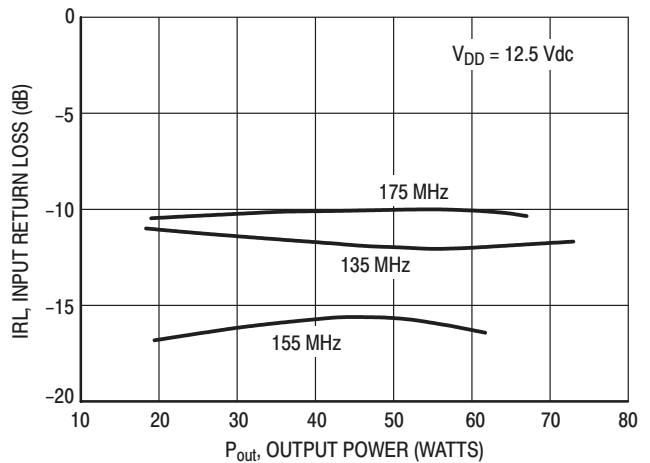


Figure 3. Input Return Loss versus Output Power

## TYPICAL CHARACTERISTICS

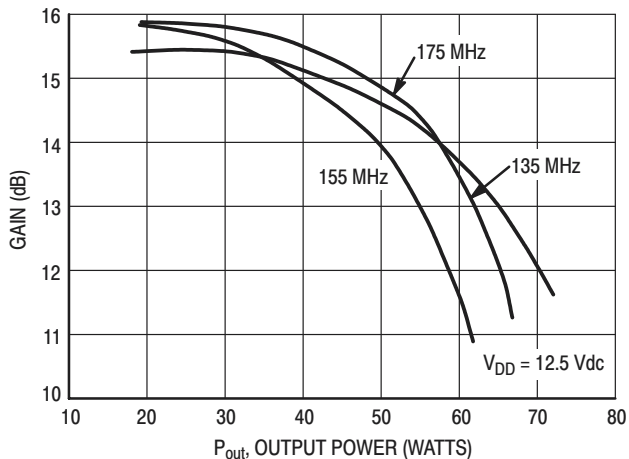


Figure 4. Gain versus Output Power

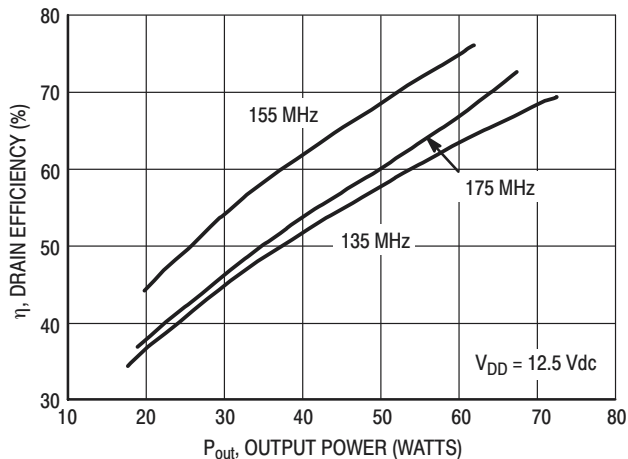


Figure 5. Drain Efficiency versus Output Power

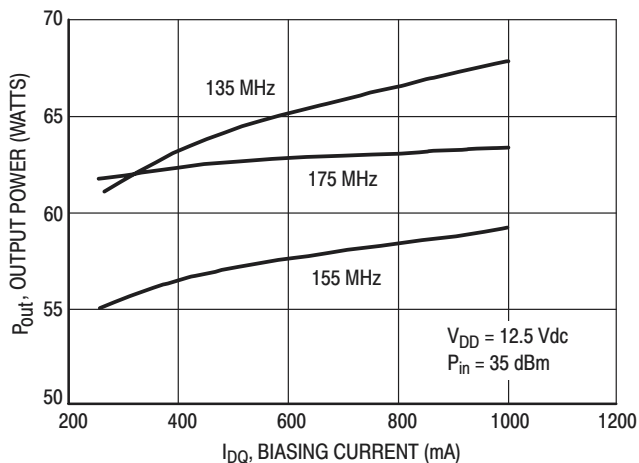


Figure 6. Output Power versus Biasing Current

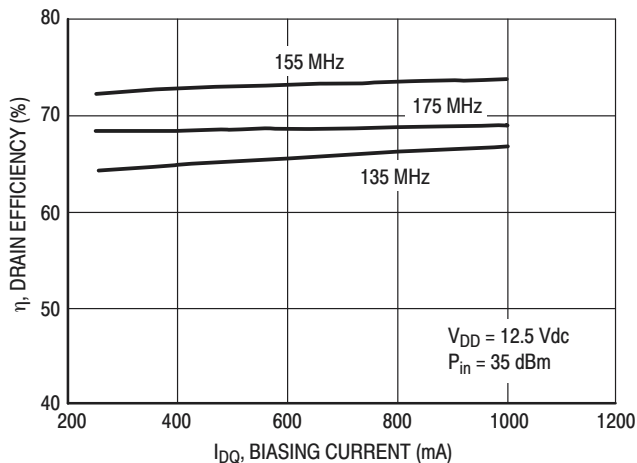


Figure 7. Drain Efficiency versus Biasing Current

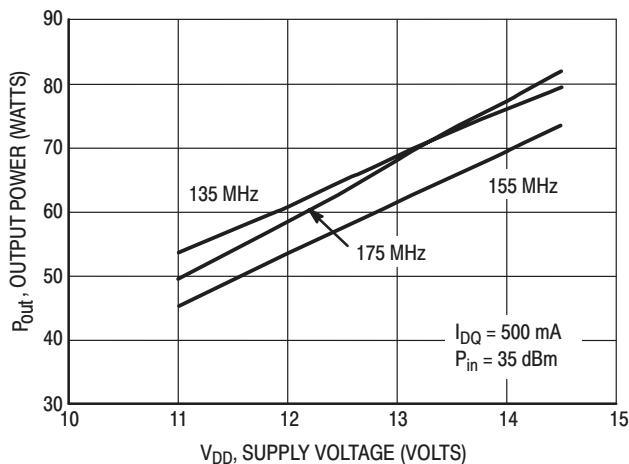


Figure 8. Output Power versus Supply Voltage

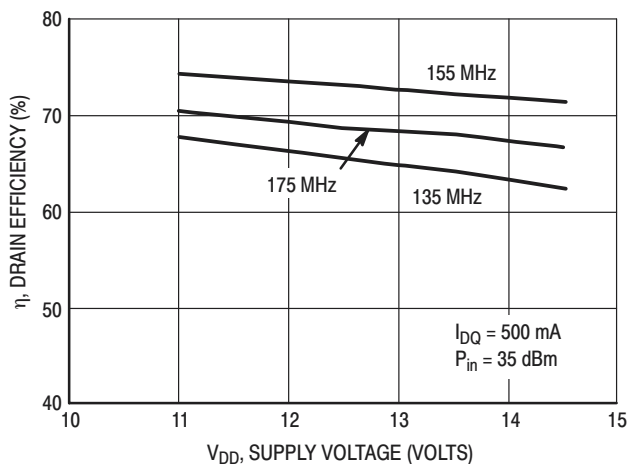
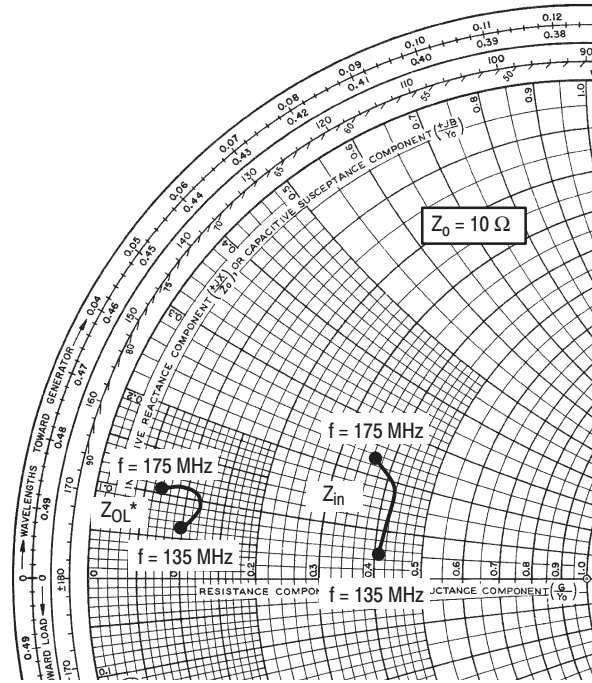


Figure 9. Drain Efficiency versus Supply Voltage



$V_{DD} = 12.5\text{ V}$ ,  $I_{DQ} = 500\text{ mA}$ ,  $P_{out} = 50\text{ W}$

f MHz	$Z_{in}$ $\Omega$	$Z_{OL}^*$ $\Omega$
135	$4.1 + j0.5$	$1.0 + j0.6$
155	$4.2 + j1.7$	$1.2 + j.09$
175	$3.7 + j2.3$	$0.7 + j1.1$

$Z_{in}$  = Complex conjugate of source impedance.

$Z_{OL}^*$  = Complex conjugate of the load impedance at given output power, voltage, frequency, and  $\eta_D > 50\%$ .

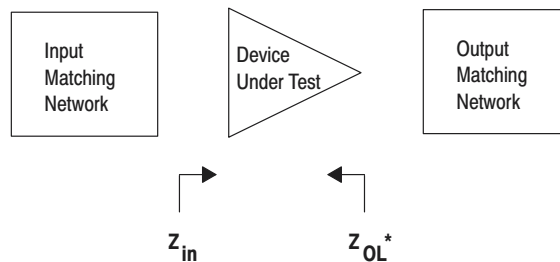


Figure 10. Series Equivalent Input and Output Impedance

# Freescale Semiconductor, Inc.

Table 1. Common Source Scattering Parameters ( $V_{DD} = 12.5$  Vdc)

$I_{DQ} = 500$  mA

f MHz	$S_{11}$		$S_{21}$		$S_{12}$		$S_{22}$	
	$ S_{11} $	$\angle \phi$	$ S_{21} $	$\angle \phi$	$ S_{12} $	$\angle \phi$	$ S_{22} $	$\angle \phi$
50	0.93	-178	4.817	80	0.009	-39	0.86	-176
100	0.94	-178	2.212	69	0.009	-3	0.88	-175
150	0.95	-178	1.349	61	0.008	-8	0.90	-174
200	0.95	-178	0.892	54	0.006	-13	0.92	-174
250	0.96	-178	0.648	51	0.005	-7	0.93	-174
300	0.97	-178	0.481	47	0.004	-8	0.95	-174
350	0.97	-178	0.370	46	0.005	4	0.95	-174
400	0.98	-178	0.304	43	0.001	15	0.97	-174
450	0.98	-178	0.245	43	0.005	81	0.97	-174
500	0.98	-178	0.209	43	0.003	84	0.97	-174
550	0.99	-177	0.178	41	0.007	70	0.98	-175
600	0.98	-178	0.149	41	0.010	106	0.96	-175

$I_{DQ} = 2.0$  mA

f MHz	$S_{11}$		$S_{21}$		$S_{12}$		$S_{22}$	
	$ S_{11} $	$\angle \phi$	$ S_{21} $	$\angle \phi$	$ S_{12} $	$\angle \phi$	$ S_{22} $	$\angle \phi$
50	0.93	-177	4.81	80	0.003	-119	0.93	-178
100	0.94	-178	2.20	69	0.006	4	0.93	-178
150	0.95	-178	1.35	61	0.003	-1	0.93	-177
200	0.95	-178	0.89	54	0.004	18	0.93	-176
250	0.96	-178	0.65	51	0.001	28	0.94	-176
300	0.97	-178	0.48	47	0.004	77	0.94	-175
350	0.97	-178	0.37	46	0.006	85	0.95	-175
400	0.98	-178	0.30	43	0.007	53	0.96	-174
450	0.98	-178	0.25	43	0.006	74	0.97	-174
500	0.98	-177	0.21	44	0.006	84	0.97	-174
550	0.99	-177	0.18	41	0.002	106	0.97	-175
600	0.98	-178	0.15	41	0.004	116	0.96	-174

$I_{DQ} = 4.0$  mA

f MHz	$S_{11}$		$S_{21}$		$S_{12}$		$S_{22}$	
	$ S_{11} $	$\angle \phi$	$ S_{21} $	$\angle \phi$	$ S_{12} $	$\angle \phi$	$ S_{22} $	$\angle \phi$
50	0.97	-179	5.04	87	0.002	-116	0.94	-179
100	0.96	-179	2.43	82	0.006	42	0.94	-178
150	0.96	-179	1.60	77	0.004	13	0.94	-177
200	0.96	-179	1.14	74	0.003	43	0.95	-176
250	0.97	-179	0.89	71	0.004	65	0.95	-175
300	0.97	-179	0.71	68	0.006	68	0.95	-175
350	0.97	-179	0.57	67	0.006	74	0.97	-174

# Freescale Semiconductor, Inc.

Table 1. Common Source Scattering Parameters ( $V_{DD} = 12.5$  Vdc) (continued)

$I_{DQ} = 4.0$  mA (continued)

f MHz	$S_{11}$		$S_{21}$		$S_{12}$		$S_{22}$	
	$ S_{11} $	$\angle \phi$	$ S_{21} $	$\angle \phi$	$ S_{12} $	$\angle \phi$	$ S_{22} $	$\angle \phi$
400	0.97	-179	0.49	63	0.005	58	0.97	-173
450	0.98	-178	0.41	63	0.005	73	0.98	-173
500	0.98	-178	0.36	62	0.003	128	0.98	-173
550	0.98	-178	0.32	58	0.004	57	0.99	-174
600	0.98	-178	0.27	58	0.009	83	0.98	-174

### DESIGN CONSIDERATIONS

This device is a common-source, RF power, N-Channel enhancement mode, Lateral Metal-Oxide Semiconductor Field-Effect Transistor (MOSFET). Motorola Application Note AN211A, "FETs in Theory and Practice", is suggested reading for those not familiar with the construction and characteristics of FETs.

This surface mount packaged device was designed primarily for VHF and UHF mobile power amplifier applications. Manufacturability is improved by utilizing the tape and reel capability for fully automated pick and placement of parts. However, care should be taken in the design process to insure proper heat sinking of the device.

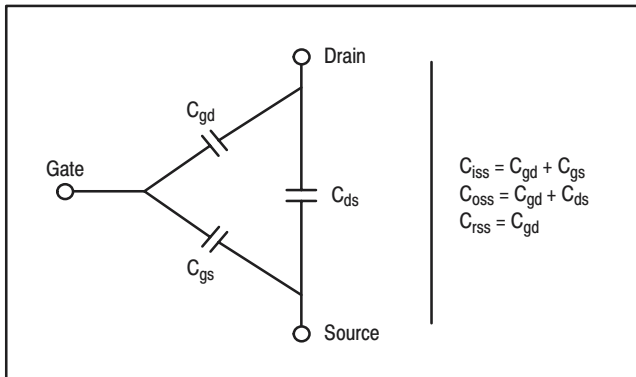
The major advantages of Lateral RF power MOSFETs include high gain, simple bias systems, relative immunity from thermal runaway, and the ability to withstand severely mismatched loads without suffering damage.

### MOSFET CAPACITANCES

The physical structure of a MOSFET results in capacitors between all three terminals. The metal oxide gate structure determines the capacitors from gate-to-drain ( $C_{gd}$ ), and gate-to-source ( $C_{gs}$ ). The PN junction formed during fabrication of the RF MOSFET results in a junction capacitance from drain-to-source ( $C_{ds}$ ). These capacitances are characterized as input ( $C_{iss}$ ), output ( $C_{oss}$ ) and reverse transfer ( $C_{rss}$ ) capacitances on data sheets. The relationships between the inter-terminal capacitances and those given on data sheets are shown below. The  $C_{iss}$  can be specified in two ways:

1. Drain shorted to source and positive voltage at the gate.
2. Positive voltage of the drain in respect to source and zero volts at the gate.

In the latter case, the numbers are lower. However, neither method represents the actual operating conditions in RF applications.



### DRAIN CHARACTERISTICS

One critical figure of merit for a FET is its static resistance in the full-on condition. This on-resistance,  $R_{DS(on)}$ , occurs in the linear region of the output characteristic and is specified at a specific gate-source voltage and drain current. The

drain-source voltage under these conditions is termed  $V_{DS(on)}$ . For MOSFETs,  $V_{DS(on)}$  has a positive temperature coefficient at high temperatures because it contributes to the power dissipation within the device.

$BV_{DSS}$  values for this device are higher than normally required for typical applications. Measurement of  $BV_{DSS}$  is not recommended and may result in possible damage to the device.

### GATE CHARACTERISTICS

The gate of the RF MOSFET is a polysilicon material, and is electrically isolated from the source by a layer of oxide. The DC input resistance is very high — on the order of  $10^9 \Omega$  — resulting in a leakage current of a few nanoamperes.

Gate control is achieved by applying a positive voltage to the gate greater than the gate-to-source threshold voltage,  $V_{GS(th)}$ .

**Gate Voltage Rating** — Never exceed the gate voltage rating. Exceeding the rated  $V_{GS}$  can result in permanent damage to the oxide layer in the gate region.

**Gate Termination** — The gates of these devices are essentially capacitors. Circuits that leave the gate open-circuited or floating should be avoided. These conditions can result in turn-on of the devices due to voltage build-up on the input capacitor due to leakage currents or pickup.

**Gate Protection** — These devices do not have an internal monolithic zener diode from gate-to-source. If gate protection is required, an external zener diode is recommended. Using a resistor to keep the gate-to-source impedance low also helps dampen transients and serves another important function. Voltage transients on the drain can be coupled to the gate through the parasitic gate-drain capacitance. If the gate-to-source impedance and the rate of voltage change on the drain are both high, then the signal coupled to the gate may be large enough to exceed the gate-threshold voltage and turn the device on.

### DC BIAS

Since this device is an enhancement mode FET, drain current flows only when the gate is at a higher potential than the source. RF power FETs operate optimally with a quiescent drain current ( $I_{DQ}$ ), whose value is application dependent. This device was characterized at  $I_{DQ} = 150 \text{ mA}$ , which is the suggested value of bias current for typical applications. For special applications such as linear amplification,  $I_{DQ}$  may have to be selected to optimize the critical parameters.

The gate is a dc open circuit and draws no current. Therefore, the gate bias circuit may generally be just a simple resistive divider network. Some special applications may require a more elaborate bias system.

### GAIN CONTROL

Power output of this device may be controlled to some degree with a low power dc control signal applied to the gate, thus facilitating applications such as manual gain control, ALC/AGC and modulation systems. This characteristic is very dependent on frequency and load line.



## MOUNTING

The specified maximum thermal resistance of 0.75°C/W assumes a majority of the 0.170" x 0.608" source contact on the back side of the package is in good contact with an appropriate heat sink. As with all RF power devices, the goal of the thermal design should be to minimize the temperature at the back side of the package. Refer to Motorola Application Note AN4005/D, "Thermal Management and Mounting Method for the PLD-1.5 RF Power Surface Mount Package," and Engineering Bulletin EB209/D, "Mounting Method for RF Power Leadless Surface Mount Transistor" for additional information.

## AMPLIFIER DESIGN

Impedance matching networks similar to those used with bipolar transistors are suitable for this device. For examples see Motorola Application Note AN721, "Impedance Matching Networks Applied to RF Power Transistors." Large-signal

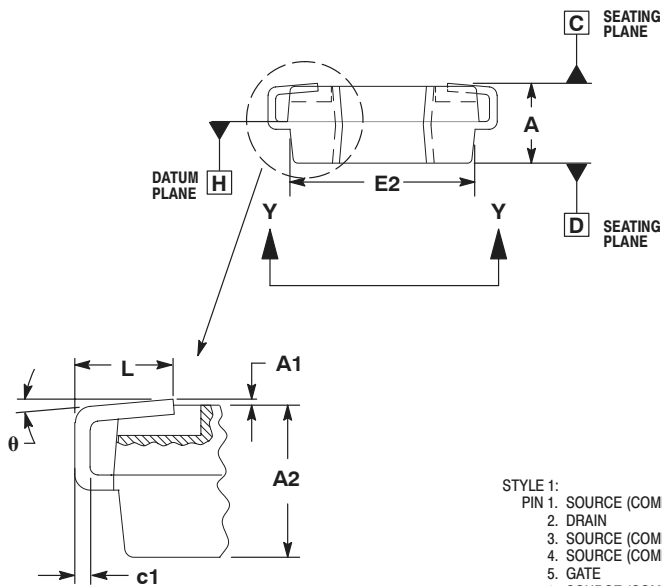
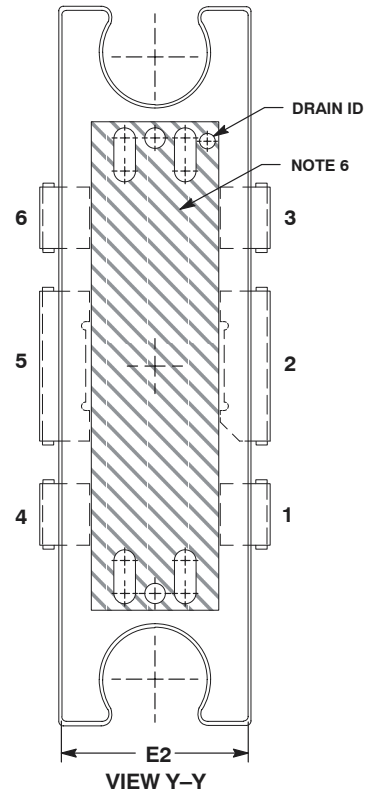
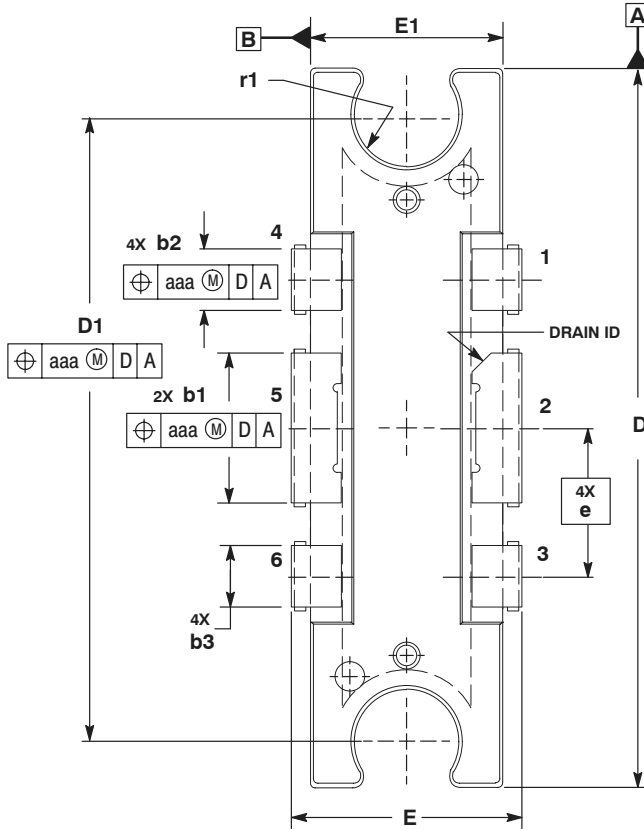
impedances are provided, and will yield a good first pass approximation.

Since RF power MOSFETs are triode devices, they are not unilateral. This coupled with the very high gain of this device yields a device capable of self oscillation. Stability may be achieved by techniques such as drain loading, input shunt resistive loading, or output to input feedback. The RF test fixture implements a parallel resistor and capacitor in series with the gate, and has a load line selected for a higher efficiency, lower gain, and more stable operating region.

Two-port stability analysis with this device's S-parameters provides a useful tool for selection of loading or feedback circuitry to assure stable operation. See Motorola Application Note AN215A, "RF Small-Signal Design Using Two-Port Parameters" for a discussion of two port network theory and stability.

# Freescale Semiconductor, Inc.

## PACKAGE DIMENSIONS



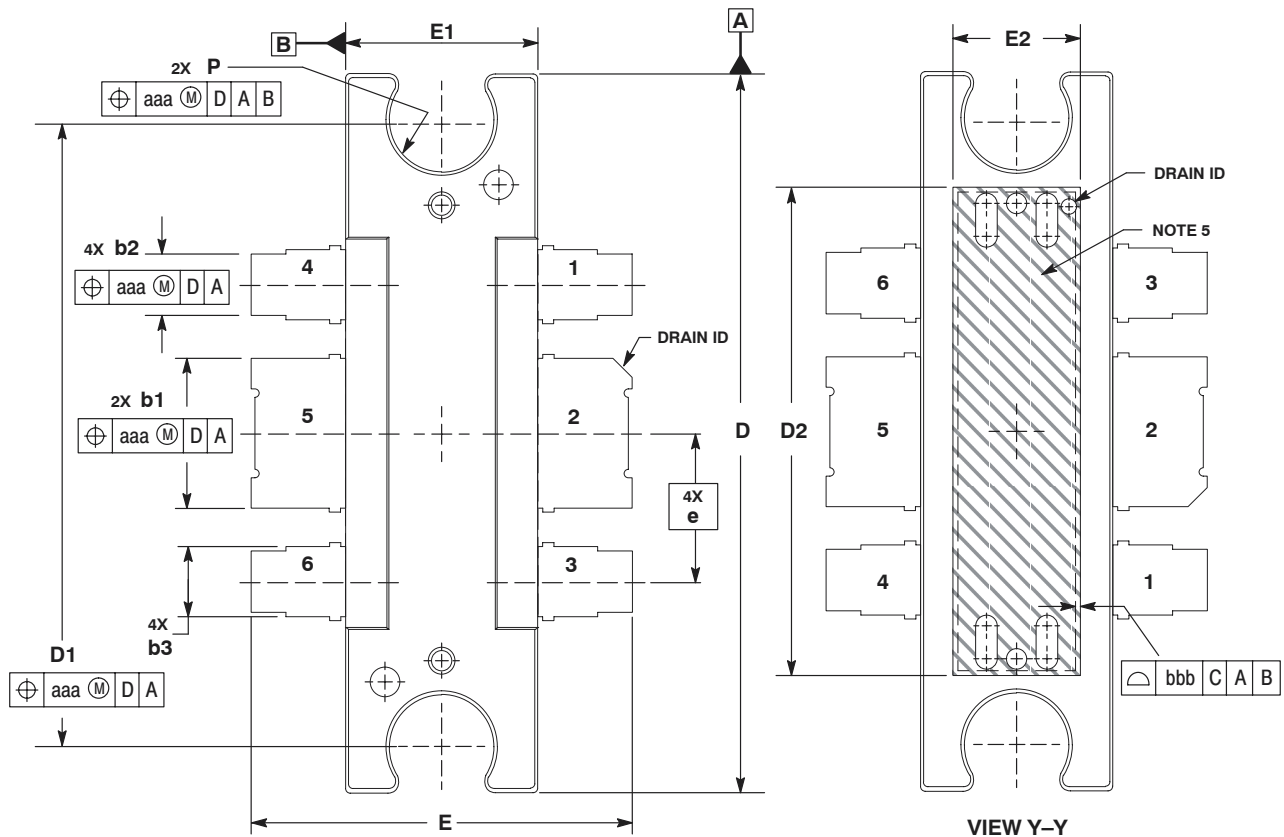
STYLE 1:  
 PIN 1. SOURCE (COMMON)  
 2. DRAIN  
 3. SOURCE (COMMON)  
 4. SOURCE (COMMON)  
 5. GATE  
 6. SOURCE (COMMON)

**CASE 1264-09**  
**ISSUE J**  
**TO-272**  
**PLASTIC**  
**MRF1550T1**

**NOTES:**

1. CONTROLLING DIMENSION: INCH.
2. INTERPRET DIMENSIONS AND TOLERANCES PER ASME Y14.5M, 1994.
3. DATUM PLANE -H- IS LOCATED AT TOP OF LEAD AND IS COINCIDENT WITH THE LEAD WHERE THE LEAD EXITS THE PLASTIC BODY AT THE TOP OF THE PARTING LINE.
4. DIMENSION D AND E1 DO NOT INCLUDE MOLD PROTRUSION. ALLOWABLE PROTRUSION IS 0.006 PER SIDE. DIMENSION D AND E1 DO INCLUDE MOLD MISMATCH AND ARE DETERMINED AT DATUM PLANE -H-.
5. DIMENSIONS b1 AND b3 DO NOT INCLUDE DAMBAR PROTRUSION. ALLOWABLE DAMBAR PROTRUSION SHALL BE 0.005 TOTAL IN EXCESS OF THE b1 AND b2 DIMENSIONS AT MAXIMUM MATERIAL CONDITION.
6. CROSSHATCHING REPRESENTS THE EXPOSED AREA OF THE HEAT SLUG.

DIM	INCHES		MILLIMETERS	
	MIN	MAX	MIN	MAX
A	0.098	0.108	2.49	2.74
A1	0.000	0.004	0.00	0.10
A2	0.100	0.104	2.54	2.64
D	0.928	0.932	23.57	23.67
D1	0.806	0.814	20.47	20.68
E	0.296	0.304	7.52	7.72
E1	0.248	0.252	6.30	6.40
E2	0.241	0.245	6.12	6.22
L	0.060	0.070	1.52	1.78
b1	0.193	0.199	4.90	5.05
b2	0.078	0.084	1.98	2.13
b3	0.088	0.094	2.24	2.39
c1	0.007	0.011	0.18	0.28
e	0.193 BSC		4.90 BSC	
r1	0.063	0.068	1.60	1.73
θ	0°	6°	0°	6°
aaa	0.004		0.10	



- NOTES:
1. CONTROLLING DIMENSION: INCH.
  2. INTERPRET DIMENSIONS AND TOLERANCES PER ASME Y14.5M, 1994.
  3. DIMENSIONS D AND E1 DO NOT INCLUDE MOLD PROTRUSION. ALLOWABLE PROTRUSION IS 0.006 PER SIDE. DIMENSIONS D AND E1 DO INCLUDE MOLD MISMATCH AND ARE DETERMINED AT DATUM PLANE -H-.
  4. DIMENSIONS b1 AND b3 DO NOT INCLUDE DAMBAR PROTRUSION. ALLOWABLE DAMBAR PROTRUSION SHALL BE 0.005 TOTAL IN EXCESS OF THE b1 AND b2 DIMENSIONS AT MAXIMUM MATERIAL CONDITION.
  5. CROSSHATCHING REPRESENTS THE EXPOSED AREA OF THE HEAT SLUG.
  6. DIMENSION A2 APPLIES WITHIN ZONE J ONLY.

DIM	INCHES		MILLIMETERS	
	MIN	MAX	MIN	MAX
A	0.098	0.106	2.49	2.69
A1	0.038	0.044	0.96	1.12
A2	0.040	0.042	1.02	1.07
D	0.926	0.934	23.52	23.72
D1	0.810 BSC		20.57 BSC	
D2	0.608 BSC		15.44 BSC	
E	0.492	0.500	12.50	12.70
E1	0.246	0.254	6.25	6.45
E2	0.170 BSC		4.32 BSC	
F	0.025 BSC		0.64 BSC	
P	0.126	0.134	3.20	3.40
b1	0.193	0.199	4.90	5.05
b2	0.078	0.084	1.98	2.13
b3	0.088	0.094	2.24	2.39
c1	0.007	0.011	0.178	0.279
e	0.193 BSC		4.90 BSC	
aaa	0.004		0.10	
bbb	0.008		0.20	

- STYLE 1:  
 PIN 1. SOURCE (COMMON)  
 2. DRAIN  
 3. SOURCE (COMMON)  
 4. SOURCE (COMMON)  
 5. GATE  
 6. SOURCE (COMMON)

CASE 1264A-02  
 ISSUE A  
 TO-272 STRAIGHT LEAD  
 PLASTIC  
 MRF1550T1

Information in this document is provided solely to enable system and software implementers to use Motorola products. There are no express or implied copyright licenses granted hereunder to design or fabricate any integrated circuits or integrated circuits based on the information in this document.

Motorola reserves the right to make changes without further notice to any products herein. Motorola makes no warranty, representation or guarantee regarding the suitability of its products for any particular purpose, nor does Motorola assume any liability arising out of the application or use of any product or circuit, and specifically disclaims any and all liability, including without limitation consequential or incidental damages. "Typical" parameters that may be provided in Motorola data sheets and/or specifications can and do vary in different applications and actual performance may vary over time. All operating parameters, including "Typicals", must be validated for each customer application by customer's technical experts. Motorola does not convey any license under its patent rights nor the rights of others. Motorola products are not designed, intended, or authorized for use as components in systems intended for surgical implant into the body, or other applications intended to support or sustain life, or for any other application in which the failure of the Motorola product could create a situation where personal injury or death may occur. Should Buyer purchase or use Motorola products for any such unintended or unauthorized application, Buyer shall indemnify and hold Motorola and its officers, employees, subsidiaries, affiliates, and distributors harmless against all claims, costs, damages, and expenses, and reasonable attorney fees arising out of, directly or indirectly, any claim of personal injury or death associated with such unintended or unauthorized use, even if such claim alleges that Motorola was negligent regarding the design or manufacture of the part.

MOTOROLA and the Stylized M Logo are registered in the US Patent and Trademark Office. All other product or service names are the property of their respective owners. Motorola, Inc. is an Equal Opportunity/Affirmative Action Employer.

© Motorola Inc. 2003

#### HOW TO REACH US:

**USA/EUROPE/LOCATIONS NOT LISTED:**  
Motorola Literature Distribution  
P.O. Box 5405, Denver, Colorado 80217  
1-800-521-6274 or 480-768-2130

**JAPAN:** Motorola Japan Ltd.; SPS, Technical Information Center,  
3-20-1, Minami-Azabu, Minato-ku, Tokyo 106-8573, Japan  
81-3-3440-3569

**ASIA/PACIFIC:** Motorola Semiconductors H.K. Ltd.; Silicon Harbour Centre,  
2 Dai King Street, Tai Po Industrial Estate, Tai Po, N.T., Hong Kong  
852-26668334

**HOME PAGE:** <http://motorola.com/semiconductors>



**MOTOROLA**

**For More Information On This Product,  
Go to: [www.freescale.com](http://www.freescale.com)**

**MRF1550T1/D**