

# Fiber Optics

## MT108W-UR3

### Applications -

- Bar Code Scanning
- Fiber Optics
- Optical Switch

### Features -

- Visible Light Emitter
- Excellent Optical/Mechanical Axis Alignment
- Optical Grade Glass Lens

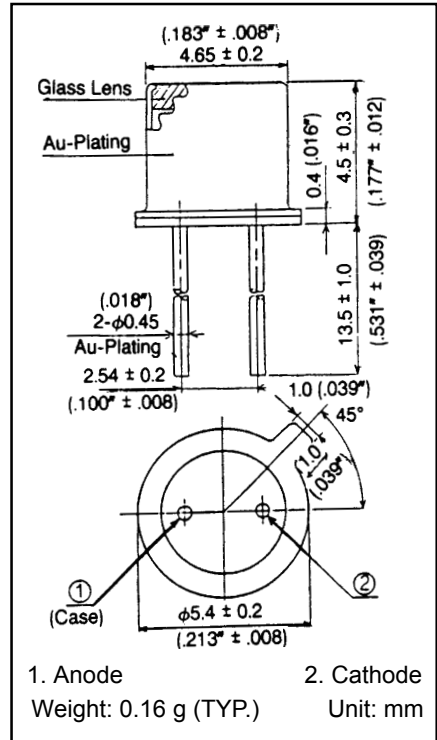
### MAXIMUM RATINGS (Ta = 25°C)

CHARACTERISTIC	SYMBOL	RATING	UNIT
Forward Current	$I_F$	50	mA
Reverse Voltage	$V_R$	4	V
Pulse Forward Current	$I_{FP}$	0.5*	A
Power Dissipation	$P_D$	100	mW
Operating Temperature	$T_{opr}$	-20~80	°C
Storage Temperature	$T_{stg}$	-30~100	°C

\*  $t_w = 10\mu s$ ,  $T = 10mS$

### OPTO-ELECTRICAL CHARACTERISTICS (Ta = 25°C)

CHARACTERISTIC	SYMBOL	TEST CONDITION	MIN.	TYP.	MAX.	UNIT
Power Output	PO	IF = 20mA	1.0	3.0	—	mW
Forward Voltage	$V_F$	IF = 20mA	—	1.8	2.4	V
Reverse Current	$I_R$	VR = 4V	—	—	100	$\mu A$
Peak Wavelength	$\lambda_p$	IF = 20mA	—	660	—	nm
Spectral Line Half Width	$\Delta\lambda$	IF = 20mA	—	20	—	nm
Rise Time	$T_r$	IFP = 50mA	—	30	—	ns
Fall Time	$T_f$		—	30	—	ns
Viewing Angle	$\theta$	—	—	80	—	°



120 Broadway • Menands, New York 12204

Toll Free: (800) 98-4LEDS • Fax: (518) 432-7454

# Fiber Optics

## MT108W-UR3 Graphs -

