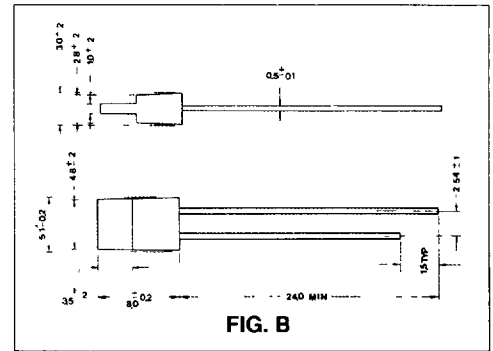
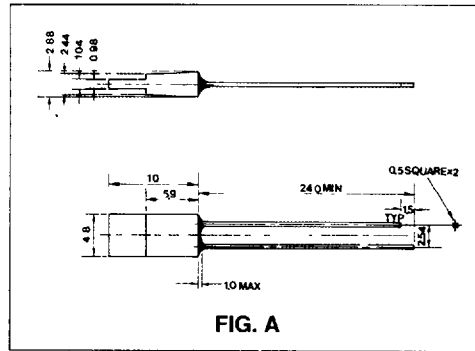


1x5mm Rectangular LED Lamps

FEATURES

- All plastic mold type
- Low drive current
- High intensity light emission
- Choice of six colors/materials



MAXIMUM RATINGS (TA = 25°C)

FIG	PART NO.	FORWARD CURRENT (IF) (mA)	REVERSE VOLTAGE (VR) (V)	POWER DISSIPATION (PD) (mW)	OPERATING TEMPERATURE (Topr) (°C)	STORAGE TEMPERATURE (Tstg) (°C)
A	MT1146-R	30	3.0	100	-25~+85	-25~+100
A	MT1146-RG	30	5.0	85	-25~+85	-25~+100
A	MT2146-G	30	5.0	85	-25~+85	-25~+100
A	MT3146-Y	30	5.0	85	-25~+85	-25~+100
A	MT4146-O	30	5.0	85	-25~+85	-25~+100
A	MT4146-HR	30	5.0	85	-25~+85	-25~+100
B	MT1194-R	30	3.0	100	-25~+85	-25~+100
B	MT1194-RG	30	5.0	85	-25~+85	-25~+100
B	MT2194-G	30	5.0	85	-25~+85	-25~+100
B	MT3194-Y	30	5.0	85	-25~+85	-25~+100
B	MT4194-O	30	5.0	85	-25~+85	-25~+100
B	MT4194-HR	30	5.0	85	-25~+85	-25~+100

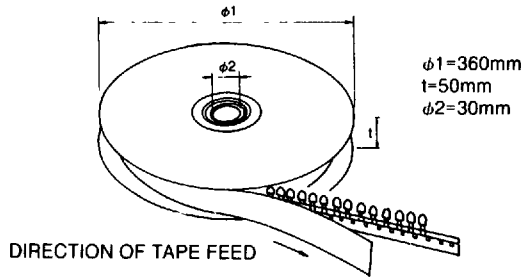
OPTO-ELECTRICAL CHARACTERISTICS (TA = 25°C)

FIG	PART NO.	MATERIAL	LENS COLOR	VIEWING ANGLE	LUMINOUS INTENSITY (mcd)			FORWARD VOLTAGE (V)			REVERSE CURRENT		PEAK WAVELENGTH
				typ.	min.	typ.	@mA	typ.	max.	@mA	μA	Vr	nm
A	MT1146-R	GaAsP/GaAs	Red Diff	80°	.3	.8	10	1.7	2.0	20	100	3	655
A	MT1146-RG	GaP/GaP	Red Diff	80°	.5	1.2	10	2.1	3.0	20	100	5	700
A	MT2146-G	GaP/GaP	Green Diff	80°	1.2	3.1	10	2.1	3.0	20	100	5	567
A	MT3146-Y	GaAsP/GaP	Yellow Diff	80°	1.0	2.6	10	2.1	3.0	20	100	5	585
A	MT4146-O	GaAsP/GaP	Orange Diff	80°	1.4	3.6	10	2.1	3.0	20	100	5	635
A	MT4146-HR	GaAsP/GaP	Red Diff	80°	1.4	3.6	10	2.1	3.0	20	100	5	635
B	MT1194-R	GaAsP/GaAs	Red Diff	80°	.3	.8	10	1.7	2.0	20	100	3	655
B	MT1194-RG	GaP/GaP	Red Diff	80°	.5	1.2	10	2.1	3.0	20	100	5	700
B	MT2194-G	GaP/GaP	Green Diff	80°	1.2	3.1	10	2.1	3.0	20	100	5	567
B	MT3194-Y	GaAsP/GaP	Yellow Diff	80°	1.0	2.6	10	2.1	3.0	20	100	5	585
B	MT4194-O	GaAsP/GaP	Orange Diff	80°	1.4	3.6	10	2.1	3.0	20	100	5	635
B	MT4194-HR	GaAsP/GaP	Red Diff	80°	1.4	3.6	10	2.1	3.0	20	100	5	635

APPLICATION NOTES

[4] Packaging Reel Packaging

a) Reel type



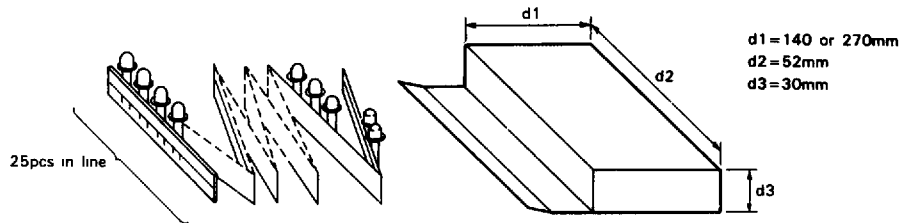
Content

LED Type	Quantity/Reel
$\phi 3$ Series	2000 pcs
$\phi 5$ Series	1000 pcs

T-1 and T- 1 3/4 packages

*Lamps with external shapes other than those above are also available. Please consult Marktech.

b) Zigzag wound tape



At tape beginning and end, there is additional space for 4 pcs or more

Content

LED Type	Quantity/Box
$\phi 3$ Series	2000 or 5000 pcs
$\phi 5$ Series	1000 or 2000 pcs



marktech

5 Hemlock Street • Latham, New York • (518) 786-6591 • FAX (518) 786-6599