

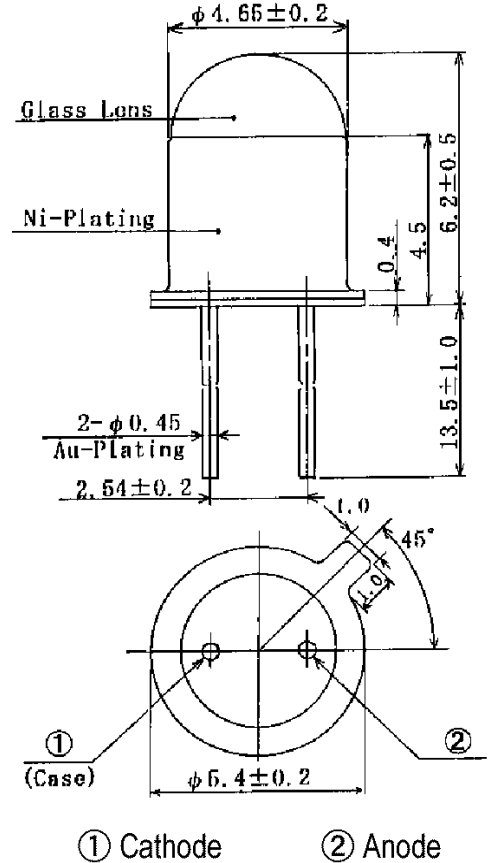
MT3700P-UV

Features

CAUTION: Eye Safety Precautions Must be Observed
 High Output Power
 High Reliability
 Narrow Beam Angle

Applications

Color Sensor
 Paper Sensor
 Bar Code Reader



Maximum Ratings (Ta=25°C)

Characteristic	Symbol	Max.	Test Condition	Unit
Forward Current	I _F	15	–	mA
Pulsed Forward Current	I _{FP}	30.00	tw=10μS, T=10mS	mA
Reverse Voltage	V _R	5	–	V
Power Dissipation	P _D	60.00	–	mW
Operating Temperature	T _{opr}	-20 ~ +80	–	°C
Storage Temperature	T _{stg}	-30 ~+100	–	°C
Junction Temperature	T _j	100	–	°C
Soldering Temperature	T _{sol}	260	for 5 sec. max	°C

Opto-Electrical Characteristics (Ta=25°C)

Characteristic	Symbol	Test Condition	Min	Typ	Max	Unit
Forward Voltage	V _F	I _F =10mA	–	3.80	–	V
Reverse Current	I _R	V _R =5V	–	–	80	μA
Power Output	PO	I _F =10mA	–	1.00	–	mW
Half Intensity Beam Angle	θ	–	–	± 5°	–	deg.
Peak Wavelength	λ _p	I _F =10mA	–	370	–	nm
Spectral Line Half Width	Δλ	I _F =10mA	–	15	–	nm

MT3700P-UV Graphs

