

# T-1 TAPERED ULTRA BRIGHT LED LAMPS

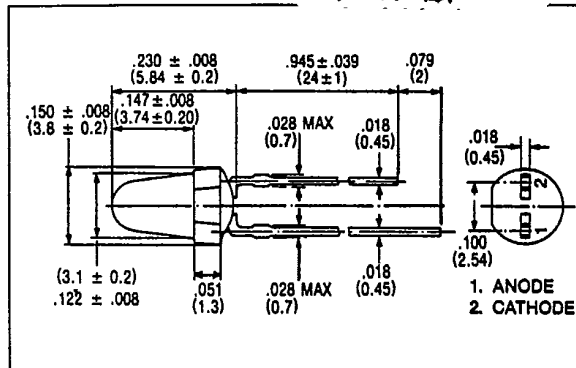
T-41-21

## APPLICATIONS

- PANEL CIRCUIT INDICATOR
- LIGHTED SWITCHES

## FEATURES

- Ultra bright.
- All plastic mold type.
- Low drive current, high intensity.
- Excellent on/off contrast ratio.
- Fast response time, capable of pulse operation.



## MAXIMUM RATINGS (Ta = 25°C)

PART NO.	FORWARD CURRENT (IF) (mA)	REVERSE VOLTAGE (VR) (V)	POWER DISSIPATION (PD) (mW)	OPERATING TEMPERATURE (T <sub>opr</sub> ) (°C)	STORAGE TEMPERATURE (T <sub>stg</sub> ) (°C)
MT600-CUR	25	4	55	-20 ~ 75	-30 ~ 100
MT600-CUG	40	4	120	-20 ~ 75	-30 ~ 100
MT640-CUR	25	4	55	-20 ~ 75	-30 ~ 100
MT630-CUR	25	4	55	-20 ~ 75	-30 ~ 100

## OPTO-ELECTRICAL CHARACTERISTICS (Ta = 25°C)

PART NO.	MATERIAL	LENS COLOR	VIEWING ANGLE	LUMINOUS INTENSITY (mcd)				FORWARD VOLTAGE (V)			REVERSE CURRENT		PEAK WAVELENGTH (nm)	SPEC. LINE HALF WIDTH (nm)
				typ.	min.	typ.	max.	@mA	typ.	max.	@ mA	μA		
MT600-CUR	GaAlAs	Water/Clear	10°	110	300	720	20	1.8	2.2	20	100	4	660	25
MT600-CUG	GaP/GaP	Water/Clear	10°	63	150	320	20	2.1	2.8	20	5	4	565	25
MT640-CUR	GaAlAs	Red/Diff	25°	22	50	146	20	1.8	2.2	20	100	4	660	25
MT630-CUR	GaAlAs	Red/Clear	15°	90	240	580	20	1.75	2.2	20	100	4	680	25