

MT7064-UR

Features

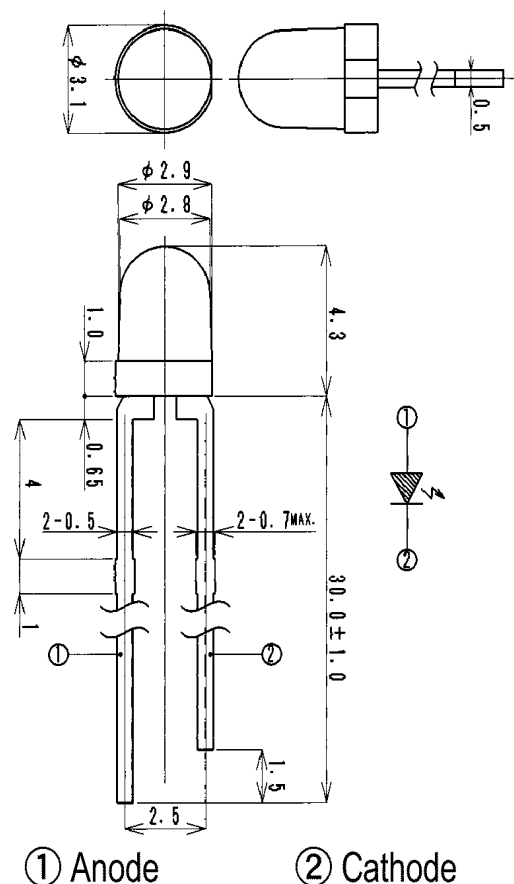
High Power Output
High Reliability
Compact Package

Applications

Optical Sensors
Optical Switches

Maximum Ratings (Ta=25°C)

Characteristic	Symbol	Max.	Test Condition	Unit
Forward Current	I _F	50	-	mA
Pulsed Forward Current	I _{FP}	.50	tw=10μ S, T=10mS	A
Reverse Voltage	V _R	5	-	V
Power Dissipation	P _D	110.00	-	mW
Operating Temperature	T _{opr}	-20 ~ +80	-	°C
Storage Temperature	T _{stg}	-30 ~+100	-	°C
Junction Temperature	T _j	100	-	°C
Soldering Temperature	T _{sol}	260	for 5 sec. max	°C



Opto-Electrical Characteristics (Ta=25°C)

Characteristic	Symbol	Test Condition	Min	Typ	Max	Unit
Forward Voltage	V _F	I _F =20mA	-	1.80	2.20	V
Reverse Current	I _R	V _R =5V	-	-	100	μA
Power Output	PO	I _F =20mA	2.50	5.00	-	mW
Half Intensity Beam Angle	θ	-	-	± 20°	-	deg.
Peak Wavelength	λ _p	I _F =20mA	-	660	-	nm
Dominant Wavelength	λ _d	I _F =20mA	-	643	-	nm
Spectral Line Half Width	Δλ	I _F =20mA	-	25	-	nm
Rise Time	T _r	I _{FP} =20mA	-	30.00	-	ns
Fall Time	T _f	I _{FP} =20mA	-	30.00	-	ns
Temp Coefficient of PO	P/T	I _F =10mA	-	-.50	-	%/°C
Temp Coefficient of VF	V/T	I _F =10mA	-	-1.50	-	mV/°C
Junction Capacitance	C _j	1MHz, V=0V	-	20	-	pF

Company Headquarters

3 Northway Lane North
Latham, New York 12110
Toll Free: 800.984.5337
Fax: 518.785.4725

West Coast Sales Office

950 South Coast Drive, Suite 265
Costa Mesa, California 92626
Toll Free: 800.984.5337
Fax: 714.850.9314

MT7064-UR Graphs

