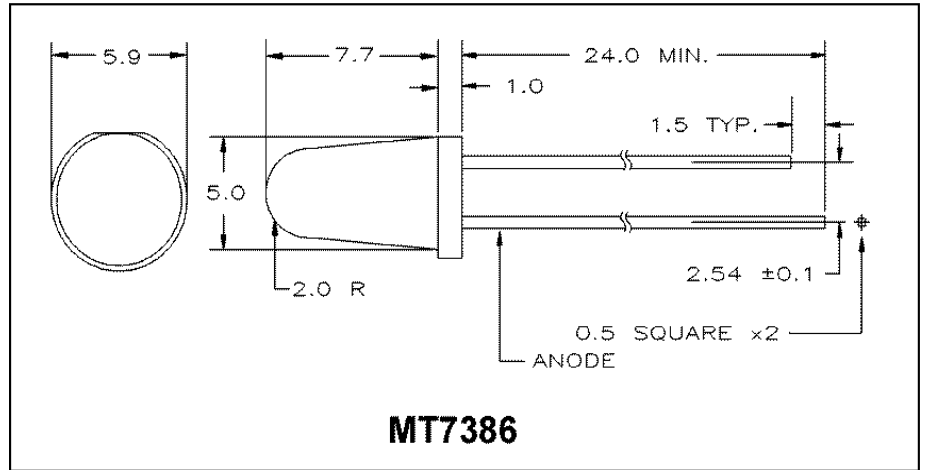


Features

- Low drive current
- High intensity red light emission
- Tapered package
- Can be packaged on tape in a reel or in a box



Series Line-Up

Part Number	Color	Material
MT7386-UR	Super Ultra Bright Red	GaAlAs
MT7386A-UR	Ultra Bright Red	GaAlAs

Maximum Ratings (Ta=25°C)

Part Number	Forward Current I _F	Reverse Voltage V _R	Power Dissipation P _D	Operating Temperature T _{opr}	Storage Temperature T _{stg}
MT7386-UR	30	4	70.00	-25 ~ +85	-25 ~ +100
MT7386A-UR	30	4	70.00	-25 ~ +85	-25 ~ +100
Unit	mA	V	mW	°C	°C

Company Headquarters
3 Northway Lane North
Latham, New York 12110
Toll Free: 800.984.5337
Fax: 518.785.4725

Electrical and Optical Characteristics (Ta=25°C)

Part Number	PWL nm λ_P	Material	View Angle $2\theta_{1/2}$	Luminous Intensity I_v				Forward Voltage V_F				Rev Current I_R	
				min.	typ.	max.	IF@	min.	typ.	max.	IF@	max.	VR@
MT7386-UR	660	GaAlAs	26°	-	475.00	-	20mA	-	1.90	2.50	20mA	100	4V
MT7386A-UR	660	GaAlAs	26°	-	1250.00	-	20mA	-	1.90	2.50	20mA	100	4V
-	nm	-	deg	mcd				-	V		-	μA	-