

### Features

- Internal control latches and address decoder
- Short set-up and hold times
- Wide operating voltage: 4.5V to 13.2V
- 12Vpp analog signal capability
- $R_{ON}$  65 $\Omega$  max. @  $V_{DD}=12V$ , 25°C
- $\Delta R_{ON} \leq 10\Omega$  @  $V_{DD}=12V$ , 25°C
- Full CMOS switch for low distortion
- Minimum feedthrough and crosstalk
- Separate analog and digital reference supplies
- Low power consumption ISO-CMOS technology

### Applications

- Key systems
- PBX systems
- Mobile radio
- Test equipment /instrumentation
- Analog/digital multiplexers
- Audio/Video switching

#### Ordering Information

MT8815AC	40 Pin Ceramic DIP
MT8815AE	40 Pin Plastic DIP
MT8815AP	44 Pin PLCC
<b>-40° to 85°C</b>	

### Description

The Mitel MT8815 is fabricated in MITEL's ISO-CMOS technology providing low power dissipation and high reliability. The device contains a 8 x 12 array of crosspoint switches along with a 7 to 96 line decoder and latch circuits. Any one of the 96 switches can be addressed by selecting the appropriate seven address bits. The selected switch can be turned on or off by applying a logical one or zero to the DATA input.  $V_{SS}$  is the ground reference of the digital inputs. The range of the analog signal is from  $V_{DD}$  to  $V_{EE}$ .

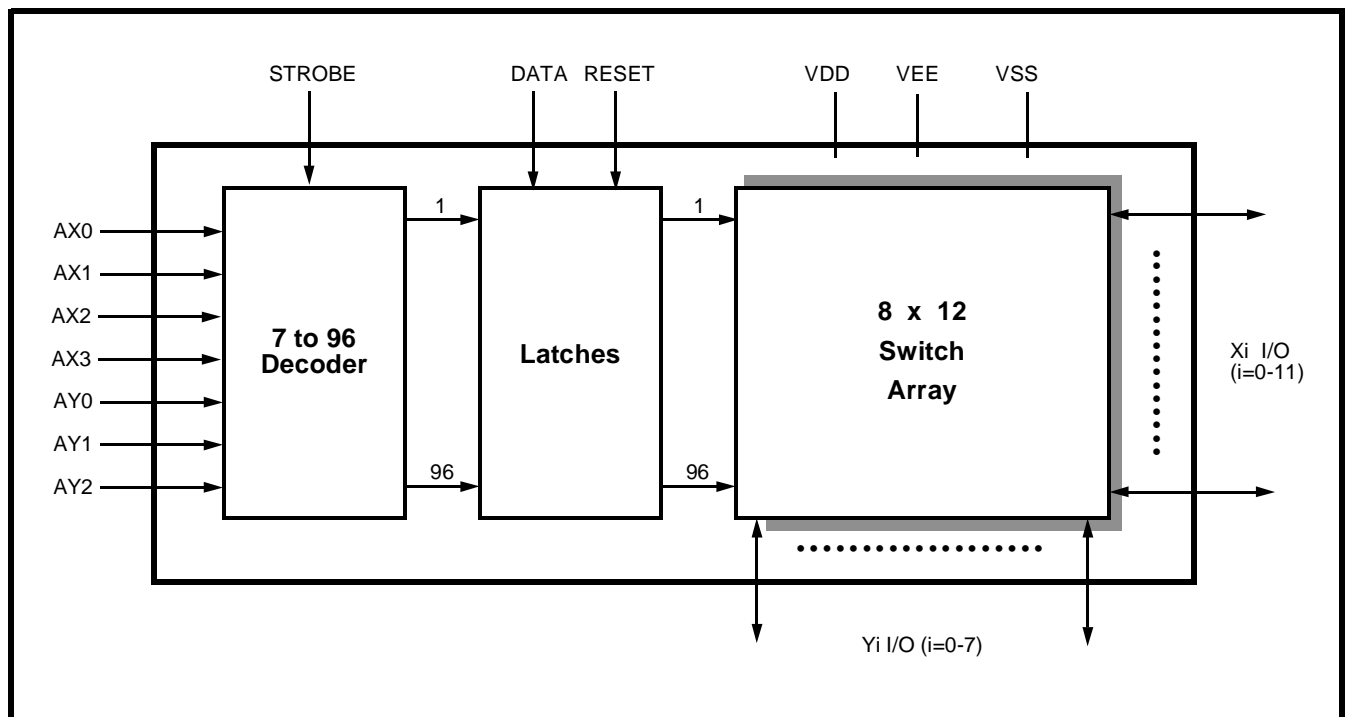


Figure 1 - Functional Block Diagram



## Functional Description

The MT8815 is an analog switch matrix with an array size of 8x12. The switch array is arranged such that there are 8 columns by 12 rows. The columns are referred to as the Y inputs/outputs and the rows are the X inputs/outputs. The crosspoint analog switch array will interconnect any X I/O with any Y I/O when turned on and provide a high degree of isolation when turned off. The control memory consists of a 96 bit write only RAM in which the bits are selected by the address inputs (AY0-AY2, AX0-AX3). Data is presented to the memory on the DATA input. Data is asynchronously written into memory whenever the STROBE input is high and is latched on the falling edge of STROBE. A logical "1" written into a memory cell turns the corresponding crosspoint switch on and a logical "0" turns the crosspoint off. Only the crosspoint switches corresponding to the addressed memory location are altered when data is written into memory. The remaining switches retain their previous states. Any combination of X and Y inputs/outputs can be interconnected by establishing appropriate patterns in the control memory. A logical "1" on the RESET input will asynchronously return all memory locations to logical "0" turning off all crosspoint switches. Two voltage reference pins ( $V_{SS}$  and  $V_{EE}$ ) are provided for the MT8815 to enable switching of negative analog signals. The range for digital signals is from  $V_{DD}$  to  $V_{SS}$  while the range for analog signals is from  $V_{DD}$  to  $V_{EE}$ .  $V_{SS}$  and  $V_{EE}$  pins can be tied together if a single voltage reference is needed.

## Address Decode

The seven address inputs along with the STROBE are logically ANDed to form an enable signal for the resettable transparent latches. The DATA input is buffered and is used as the input to all latches. To write to a location, RESET must be low while the address and data are set up. Then the STROBE input is set high and then low causing the data to be latched. The data can be changed while STROBE is high, however, the corresponding switch will turn on and off in accordance with the DATA input. DATA must be stable on the falling edge of STROBE in order for correct data to be written to the latch.

**Absolute Maximum Ratings\*** - Voltages are with respect to  $V_{EE}$  unless otherwise stated.

	Parameter	Symbol	Min	Max	Units
1	Supply Voltage	$V_{DD}$ $V_{SS}$	-0.3 -0.3	15.0 $V_{DD}+0.3$	V V
2	Analog Input Voltage	$V_{INA}$	-0.3	$V_{DD}+0.3$	V
3	Digital Input Voltage	$V_{IN}$	$V_{SS}-0.3$	$V_{DD}+0.3$	V
4	Current on any I/O Pin	I		±15	mA
5	Storage Temperature	$T_S$	-65	+150	°C
6	Package Power Dissipation	PLASTIC DIP CERDIP	$P_D$ $P_D$	0.6 1.0	W W

\* Exceeding these values may cause permanent damage. Functional operation under these conditions is not implied.

**Recommended Operating Conditions** - Voltages are with respect to  $V_{EE}$  unless otherwise stated.

	Characteristics	Sym	Min	Typ	Max	Units	Test Conditions
1	Operating Temperature	$T_O$	-40	25	85	°C	
2	Supply Voltage	$V_{DD}$ $V_{SS}$	4.5 $V_{EE}$		13.2 $V_{DD}-4.5$	V V	
3	Analog Input Voltage	$V_{INA}$	$V_{EE}$		$V_{DD}$	V	
4	Digital Input Voltage	$V_{IN}$	$V_{SS}$		$V_{DD}$	V	

**DC Electrical Characteristics†** - Voltages are with respect to  $V_{EE}=V_{SS}=0V$ ,  $V_{DD}=12V$  unless otherwise stated.

	Characteristics	Sym	Min	Typ†	Max	Units	Test Conditions
1	Quiescent Supply Current	$I_{DD}$		1	100	µA	All digital inputs at $V_{IN}=V_{SS}$ or $V_{DD}$
				0.4	1.5	mA	All digital inputs at $V_{IN}=2.4V + V_{SS}$ ; $V_{SS}=7.0V$
				5	15	mA	All digital inputs at $V_{IN}=3.4V$
2	Off-state Leakage Current (See G.9 in Appendix)	$I_{OFF}$		±1	±500	nA	$ V_{Xi} - V_{Yj}  = V_{DD} - V_{EE}$ See Appendix, Fig. A.1
3	Input Logic "0" level	$V_{IL}$			$0.8+V_{SS}$	V	$V_{SS}=7.5V$ ; $V_{EE}=0V$
4	Input Logic "1" level	$V_{IH}$	$2.0+V_{SS}$			V	$V_{SS}=6.5V$ ; $V_{EE}=0V$
5	Input Logic "1" level	$V_{IH}$	3.3			V	
6	Input Leakage (digital pins)	$I_{LEAK}$		0.1	10	µA	All digital inputs at $V_{IN} = V_{SS}$ or $V_{DD}$

† DC Electrical Characteristics are over recommended temperature range.

‡ Typical figures are at 25°C and are for design aid only; not guaranteed and not subject to production testing.

**DC Electrical Characteristics- Switch Resistance** -  $V_{DC}$  is the external DC offset applied at the analog I/O pins.

	Characteristics	Sym	25°C		70°C		85°C		Units	Test Conditions
			Typ	Max	Typ	Max	Typ	Max		
1	On-state Resistance $V_{DD}=12V$ $V_{DD}=10V$ $V_{DD}=5V$ (See G.1, G.2, G.3 in Appendix)	$R_{ON}$	45 55 120	65 75 185		75 85 215		80 90 225	Ω Ω Ω	$V_{SS}=V_{EE}=0V$ , $V_{DC}=V_{DD}/2$ , $ V_{Xi}-V_{Yj}  = 0.4V$ See Appendix, Fig. A.2
2	Difference in on-state resistance between two switches (See G.4 in Appendix)	$\Delta R_{ON}$	5	10		10		10	Ω	$V_{DD}=12V$ , $V_{SS}=V_{EE}=0$ , $V_{DC}=V_{DD}/2$ , $ V_{Xi}-V_{Yj}  = 0.4V$ See Appendix, Fig. A.2

**AC Electrical Characteristics<sup>†</sup> - Crosspoint Performance** - Voltages are with respect to  $V_{DD}=5V$ ,  $V_{SS}=0V$ ,  $V_{EE}=-7V$ , unless otherwise stated.

	Characteristics	Sym	Min	Typ <sup>‡</sup>	Max	Units	Test Conditions
1	Switch I/O Capacitance	$C_S$		20		pF	f=1 MHz
2	Feedthrough Capacitance	$C_F$		0.2		pF	f=1 MHz
3	Frequency Response Channel "ON" $20\text{LOG}(V_{OUT}/V_{Xi})=-3\text{dB}$	$F_{3\text{dB}}$		45		MHz	Switch is "ON"; $V_{INA} = 2V_{pp}$ sinewave; $R_L = 1k\Omega$ See Appendix, Fig. A.3
4	Total Harmonic Distortion (See G.5, G.6 in Appendix)	THD		0.01		%	Switch is "ON"; $V_{INA} = 2V_{pp}$ sinewave f= 1kHz; $R_L=1k\Omega$
5	Feedthrough Channel "OFF" Feed.= $20\text{LOG}(V_{OUT}/V_{Xi})$ (See G.8 in Appendix)	FDT		-95		dB	All Switches "OFF"; $V_{INA}=2V_{pp}$ sinewave f= 1kHz; $R_L = 1k\Omega$ . See Appendix, Fig. A.4
6	Crosstalk between any two channels for switches Xi-Yi and Xj-Yj.  $X_{\text{talk}}=20\text{LOG}(V_{Yj}/V_{Xi})$ .  (See G.7 in Appendix).	$X_{\text{talk}}$		-45		dB	$V_{INA}=2V_{pp}$ sinewave f= 10MHz; $R_L = 75\Omega$ .
				-90		dB	$V_{INA}=2V_{pp}$ sinewave f= 10kHz; $R_L = 600\Omega$ .
				-85		dB	$V_{INA}=2V_{pp}$ sinewave f= 10kHz; $R_L = 1k\Omega$ .
				-80		dB	$V_{INA}=2V_{pp}$ sinewave f= 1kHz; $R_L = 10k\Omega$ . Refer to Appendix, Fig. A.5 for test circuit.
7	Propagation delay through switch	$t_{PS}$			30	ns	$R_L=1k\Omega$ ; $C_L=50pF$

<sup>†</sup> Timing is over recommended temperature range. See Fig. 3 for control and I/O timing details.

<sup>‡</sup> Typical figures are at 25°C and are for design aid only; not guaranteed and not subject to production testing.

Crosstalk measurements are for Plastic DIPS only, crosstalk values for PLCC packages are approximately 5dB better.

**AC Electrical Characteristics<sup>†</sup> - Control and I/O Timings** - Voltages are with respect to  $V_{DD}=5V$ ,  $V_{SS}=0V$ ,  $V_{EE}=-7V$ , unless otherwise stated.

	Characteristics	Sym	Min	Typ <sup>‡</sup>	Max	Units	Test Conditions
1	Control Input crosstalk to switch (for DATA, STROBE, Address)	$CX_{\text{talk}}$		30		mVpp	$V_{IN}=3V$ squarewave; $R_{IN}=1k\Omega$ , $R_L=10k\Omega$ . See Appendix, Fig. A.6
2	Digital Input Capacitance	$C_{DI}$		10		pF	f=1MHz
3	Switching Frequency	$F_O$			20	MHz	
4	Setup Time DATA to STROBE	$t_{DS}$	10			ns	$R_L = 1k\Omega$ , $C_L=50pF$ <sup>①</sup>
5	Hold Time DATA to STROBE	$t_{DH}$	10			ns	$R_L = 1k\Omega$ , $C_L=50pF$ <sup>①</sup>
6	Setup Time Address to STROBE	$t_{AS}$	10			ns	$R_L = 1k\Omega$ , $C_L=50pF$ <sup>①</sup>
7	Hold Time Address to STROBE	$t_{AH}$	10			ns	$R_L = 1k\Omega$ , $C_L=50pF$ <sup>①</sup>
8	STROBE Pulse Width	$t_{SPW}$	20			ns	$R_L = 1k\Omega$ , $C_L=50pF$ <sup>①</sup>
9	RESET Pulse Width	$t_{RPW}$	40			ns	$R_L = 1k\Omega$ , $C_L=50pF$ <sup>①</sup>
10	STROBE to Switch Status Delay	$t_S$		40	100	ns	$R_L = 1k\Omega$ , $C_L=50pF$ <sup>①</sup>
11	DATA to Switch Status Delay	$t_D$		50	100	ns	$R_L = 1k\Omega$ , $C_L=50pF$ <sup>①</sup>
12	RESET to Switch Status Delay	$t_R$		35	100	ns	$R_L = 1k\Omega$ , $C_L=50pF$ <sup>①</sup>

<sup>†</sup> Timing is over recommended temperature range. See Fig. 3 for control and I/O timing details.

Digital Input rise time ( $t_r$ ) and fall time ( $t_f$ ) = 5ns.

<sup>‡</sup> Typical figures are at 25°C and are for design aid only; not guaranteed and not subject to production testing.

<sup>①</sup> Refer to Appendix, Fig. A.7 for test circuit.

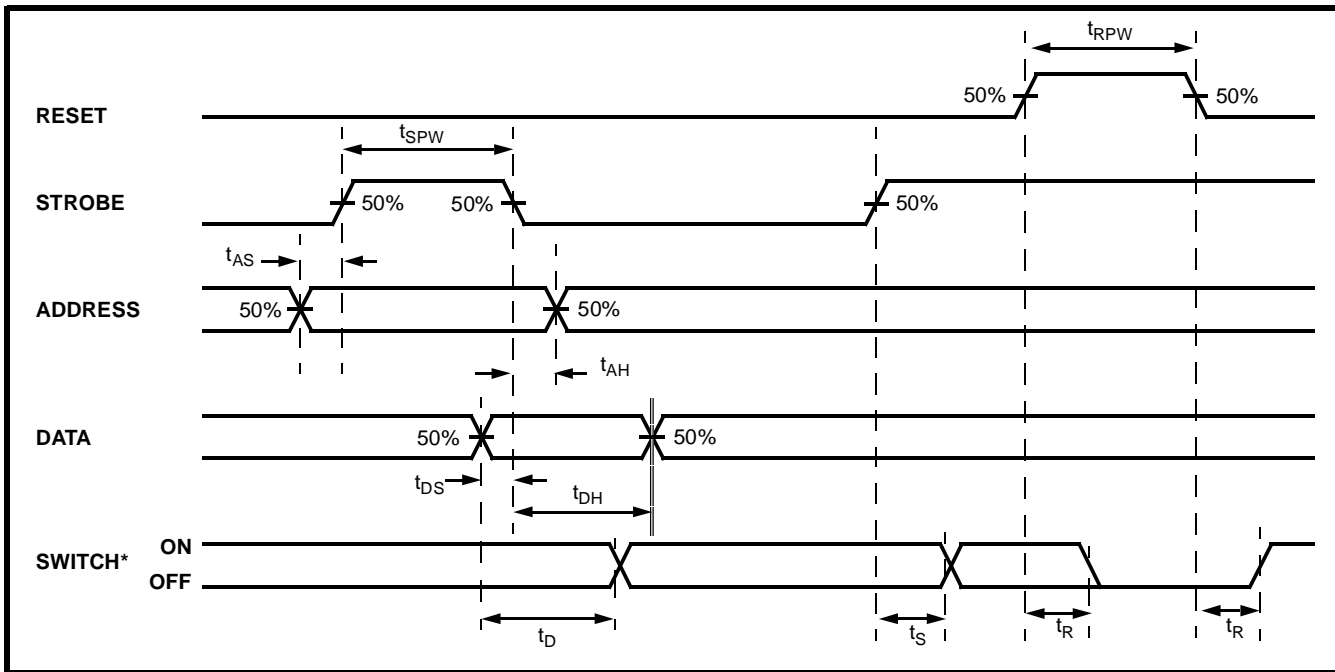


Figure 3 - Control Memory Timing Diagram

\* See Appendix, Fig. A.7 for switching waveform

AX0	AX1	AX2	AX3	AY0	AY1	AY2	Connection
0	0	0	0	0	0	0	X0-Y0
1	0	0	0	0	0	0	X1-Y0
0	1	0	0	0	0	0	X2-Y0
1	1	0	0	0	0	0	X3-Y0
0	0	1	0	0	0	0	X4-Y0
1	0	1	0	0	0	0	X5-Y0
0	1	1	0	0	0	0	No Connection <sup>①</sup>
1	1	1	0	0	0	0	No Connection <sup>①</sup>
0	0	0	1	0	0	0	X6-Y0
1	0	0	1	0	0	0	X7-Y0
0	1	0	1	0	0	0	X8-Y0
1	1	0	1	0	0	0	X9-Y0
0	0	1	1	0	0	0	X10-Y0
1	0	1	1	0	0	0	X11-Y0
0	1	1	1	0	0	0	No Connection <sup>①</sup>
1	1	1	1	0	0	0	No Connection <sup>①</sup>
0	0	0	0	1	0	0	X0-Y1
1	0	1	1	1	0	0	X11-Y1
0	0	0	0	0	1	0	X0-Y2
1	0	1	1	0	1	0	X11-Y2
0	0	0	0	1	1	0	X0-Y3
1	0	1	1	1	1	0	X11-Y3
0	0	0	0	0	0	1	X0-Y4
1	0	1	1	0	0	1	X11-Y4
0	0	0	0	1	0	1	X0-Y5
1	0	1	1	1	0	1	X11-Y5
0	0	0	0	0	1	1	X0-Y6
1	0	1	1	0	1	1	X11-Y6
0	0	0	0	1	1	1	X0-Y7
1	0	1	1	1	1	1	X11-Y7

Table 1. Address Decode Truth Table

<sup>①</sup> This address has no effect on device status.