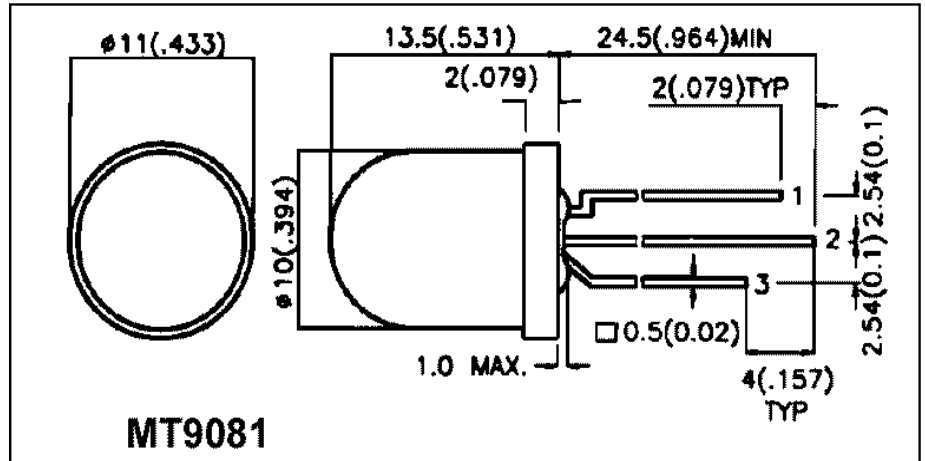


**Features**

Bi-color LED lamp  
White diffused lens



**Series Line-Up**

Part Number	Color	Material
MT9081-HRG	Ultra Bright High Efficiency Red	InGaAlP
	Green	GaP

**Maximum Ratings (Ta=25°C)**

Part Number	Forward Current I <sub>F</sub>	Reverse Voltage V <sub>R</sub>	Power Dissipation P <sub>D</sub>	Operating Temperature T <sub>opr</sub>	Storage Temperature T <sub>stg</sub>
MT9081-HRG	30	5	85.00	-25 ~ +85	-25 ~ +100
	30	5	85.00	-25 ~ +85	-25 ~ +100
<b>Unit</b>	<b>mA</b>	<b>V</b>	<b>mW</b>	<b>°C</b>	<b>°C</b>

## Electrical and Optical Characteristics (Ta=25°C)

Part Number	PWL nm $\lambda_P$	Material	View Angle $2\theta_{1/2}$	Luminous Intensity $I_v$				Forward Voltage $V_F$				Rev Current $I_R$	
				min.	typ.	max.	IF@	min.	typ.	max.	IF@	max.	VR@
MT9081-HRG	623	InGaAlP	50°	-	40.00	-	20mA	-	2.00	2.50	20mA	100	5V
	565	GaP	50°	-	40.00	-	20mA	-	2.20	2.50	20mA	100	5V
-	nm	-	deg	mcd				-	V		-	$\mu A$	-

### NOTES:

- All Dimensions are in millimeters.
- Tolerance is  $\pm 0.25\text{mm}$  unless otherwise stated.
- An Epoxy Meniscus may extend about 1mm down the leads.
- Burr around bottom of epoxy may be around 0.5mm MAX.
- Specifications are subject to change without notice.