

# International IOR Rectifier

## MUR820PbF

### Ultrafast Rectifier

#### Features

- Ultrafast Recovery Time
- Low Forward Voltage Drop
- Low Leakage Current
- 175°C Operating Junction Temperature
- Lead-Free ("PbF" suffix)

$$t_{rr} = 25\text{ns}$$

$$I_{F(AV)} = 8\text{Amp}$$

$$V_R = 200\text{V}$$

#### Description/ Applications

International Rectifier's MUR.. series are the state of the art Ultra fast recovery rectifiers specifically designed with optimized performance of forward voltage drop and ultra fast recovery time.

The planar structure and the platinum doped life time control, guarantee the best overall performance, ruggedness and reliability characteristics.

These devices are intended for use in the output rectification stage of SMPS, UPS, DC-DC converters as well as free-wheeling diode in low voltage inverters and chopper motor drives.

Their extremely optimized stored charge and low recovery current minimize the switching losses and reduce over dissipation in the switching element and snubbers.

#### Absolute Maximum Ratings

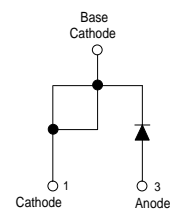
| Parameters   | Max        | Units            |
|--|------------|------------------|
| $V_{RRM}$ Peak Repetitive Peak Reverse Voltage   | 200        | V                |
| $I_{F(AV)}$ Average Rectified Forward Current<br>Total Device, (Rated $V_R$ ), $T_C = 150^\circ\text{C}$   | 8          | A                |
| $I_{FSM}$ Non Repetitive Peak Surge Current  | 100        |                  |
| $I_{FM}$ Peak Repetitive Forward Current<br>(Rated $V_R$ , Square wave, 20 KHz), $T_C = 150^\circ\text{C}$ | 16         |                  |
| $T_J, T_{STG}$ Operating Junction and Storage Temperatures   | -65 to 175 | $^\circ\text{C}$ |

### Case Styles

MUR820PbF



TO-220AC



**Electrical Characteristics @ T<sub>J</sub> = 25°C (unless otherwise specified)**

| Parameters   | Min | Typ | Max   | Units | Test Conditions   |
|--|-----|-----|-------|-------|---|
| V <sub>BR</sub> , V <sub>r</sub> Breakdown Voltage, Blocking Voltage | 200 | -   | -     | V     | I <sub>R</sub> = 100μA  |
| V <sub>F</sub> Forward Voltage                                       | -   | -   | 0.975 | V     | I <sub>F</sub> = 8A   |
|  | -   | -   | 0.895 | V     | I <sub>F</sub> = 8A, T <sub>J</sub> = 150°C                   |
| I <sub>R</sub> Reverse Leakage Current                               | -   | -   | 5     | μA    | V <sub>R</sub> = V <sub>R</sub> Rated                         |
|  | -   | -   | 250   | μA    | T <sub>J</sub> = 150°C, V <sub>R</sub> = V <sub>R</sub> Rated |
| C <sub>T</sub> Junction Capacitance                                  | -   | 25  | -     | pF    | V <sub>R</sub> = 200V   |
| L <sub>S</sub> Series Inductance                                     | -   | 8.0 | -     | nH    | Measured lead to lead 5mm from package body                   |

**Dynamic Recovery Characteristics @ T<sub>J</sub> = 25°C (unless otherwise specified)**

| Parameters                              | Min | Typ | Max | Units                  | Test Conditions   |                        |
|---|-----|-----|-----|------------------------|---|------------------------|
| t <sub>rr</sub> Reverse Recovery Time   | -   | -   | 35  | ns                     | I <sub>F</sub> = 1.0A, di <sub>F</sub> /dt = 50A/μs, V <sub>R</sub> = 30V     |                        |
|   | -   | -   | 25  |                        | I <sub>F</sub> = 0.5A, I <sub>R</sub> = 1.0A, I <sub>REC</sub> = 0.25A        |                        |
|   | -   | 20  | -   | A                      | T <sub>J</sub> = 25°C   |                        |
|   | -   | 34  | -   |                        | T <sub>J</sub> = 125°C  |                        |
| I <sub>RRM</sub> Peak Recovery Current  | -   | 1.7 | -   | T <sub>J</sub> = 25°C  | I <sub>F</sub> = 8A<br>V <sub>R</sub> = 160V<br>di <sub>F</sub> /dt = 200A/μs |                        |
|   | -   | 4.2 | -   | T <sub>J</sub> = 125°C |   |                        |
| Q <sub>rr</sub> Reverse Recovery Charge | -   | 23  | -   | nC                     |   | T <sub>J</sub> = 25°C  |
|   | -   | -   | 75  | -                      |   | T <sub>J</sub> = 125°C |

**Thermal - Mechanical Characteristics**

| Parameters  | Min    | Typ  | Max | Units  |
|---|--------|------|-----|--------|
| T <sub>J</sub> Max. Junction Temperature Range                      | - 65   | -    | 175 | °C     |
| T <sub>Stg</sub> Max. Storage Temperature Range                     | - 65   | -    | 175 |        |
| R <sub>thJC</sub> Thermal Resistance, Junction to Case              | -      | -    | 3.0 | °C/ W  |
| R <sub>thJA</sub> Thermal Resistance, Junction to Ambient           | -      | -    | 50  |        |
| R <sub>thCS</sub> <sup>①</sup> Thermal Resistance, Case to Heatsink | -      | 0.5  | -   |        |
| Wt Weight   | -      | 2.0  | -   | g      |
|   | -      | 0.07 | -   | (oz)   |
| Mounting Torque   | 6.0    | -    | 12  | Kg-cm  |
|   | 5.0    | -    | 10  | lbf.in |
| Marking Device  | MUR820 |      |     |        |

① Mounting Surface, Flat, Smooth and Greased

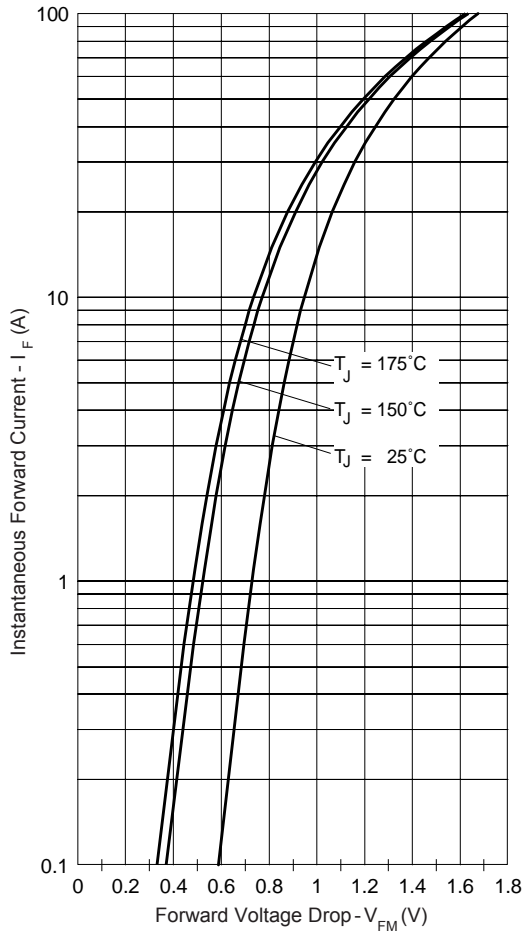


Fig. 1 - Typical Forward Voltage Drop Characteristics

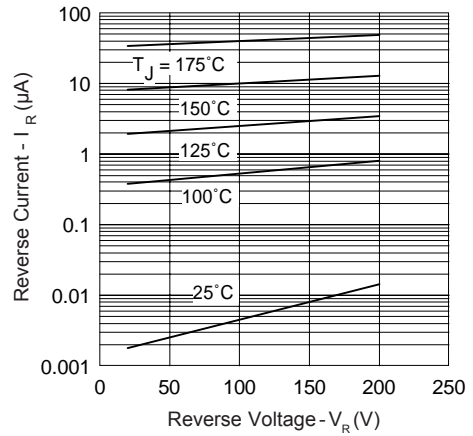


Fig. 2 - Typical Values Of Reverse Current Vs. Reverse Voltage

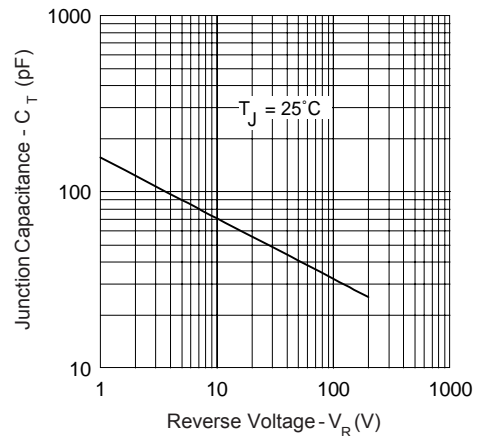


Fig. 3 - Typical Junction Capacitance Vs. Reverse Voltage

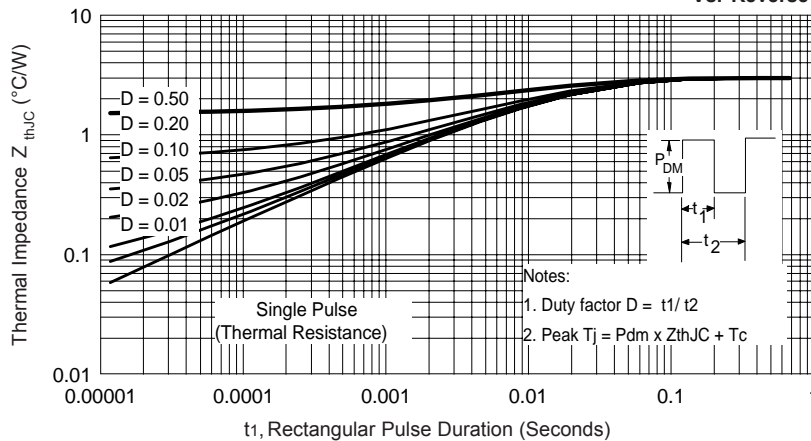


Fig. 4 - Max. Thermal Impedance  $Z_{thJC}$  Characteristics

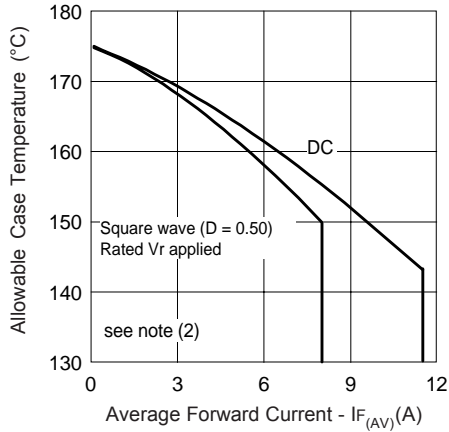


Fig. 5 - Max. Allowable Case Temperature Vs. Average Forward Current

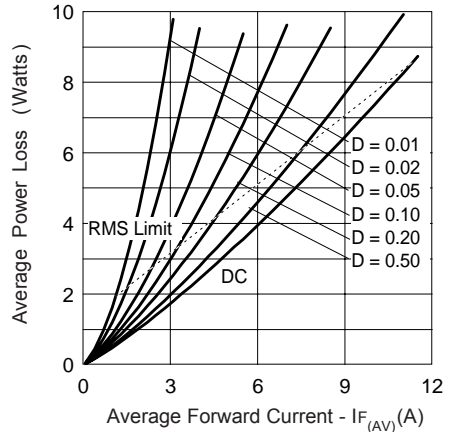


Fig. 6 - Forward Power Loss Characteristics

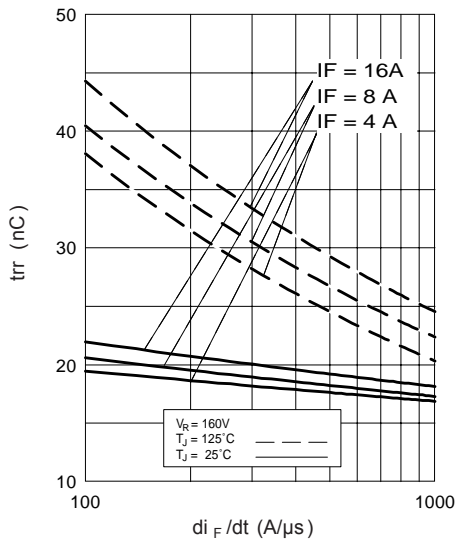


Fig. 7 - Typical Reverse Recovery vs.  $di_F/dt$

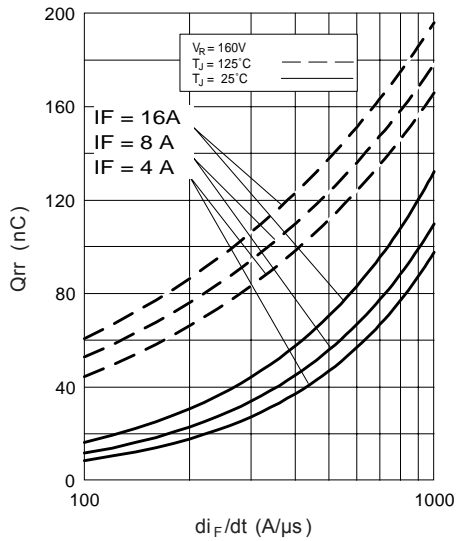


Fig. 8 - Typical Stored Charge vs.  $di_F/dt$

(2) Formula used:  $T_C = T_J - (Pd + Pd_{REV}) \times R_{thJC}$ ;

$Pd$  = Forward Power Loss =  $I_{F(AV)} \times V_{FM} @ (I_{F(AV)} / D)$  (see Fig. 6);

$Pd_{REV}$  = Inverse Power Loss =  $V_{R1} \times I_{R1} (1 - D)$ ;  $I_{R1} @ V_{R1}$  = rated  $V_R$

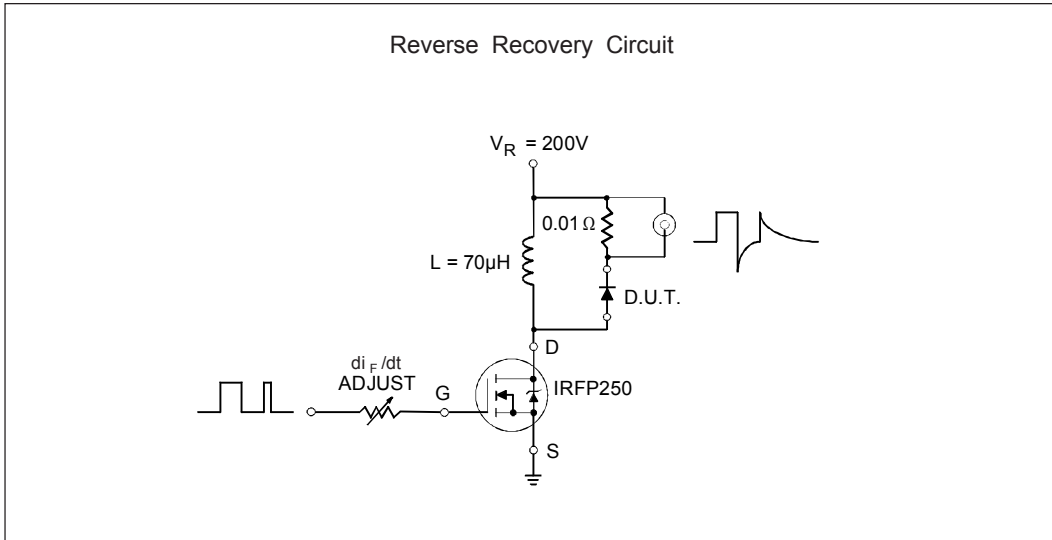


Fig. 9- Reverse Recovery Parameter Test Circuit

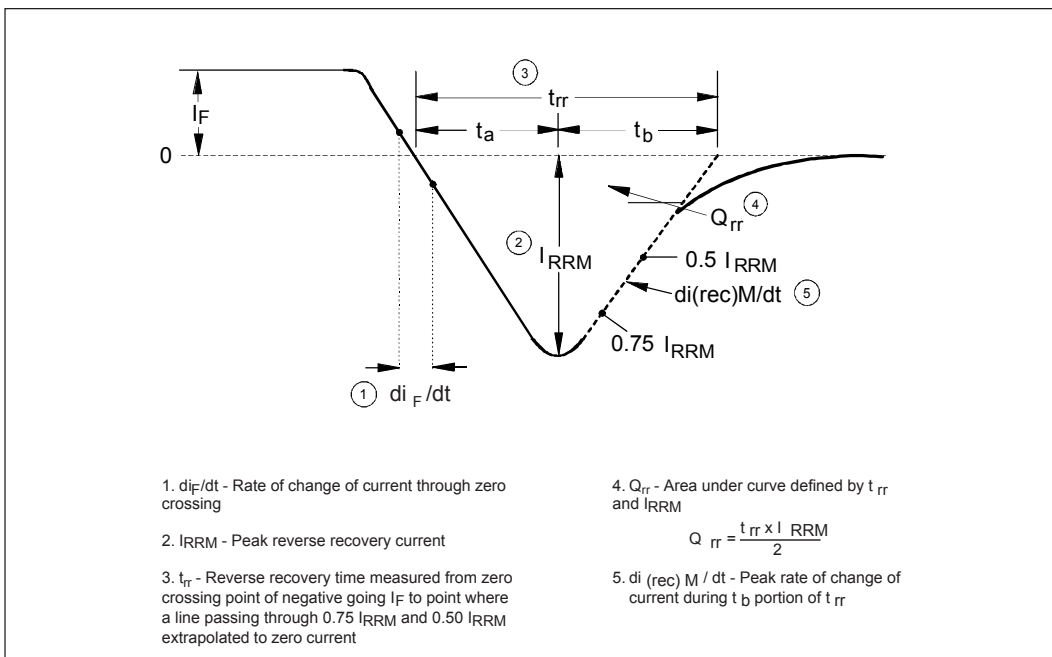
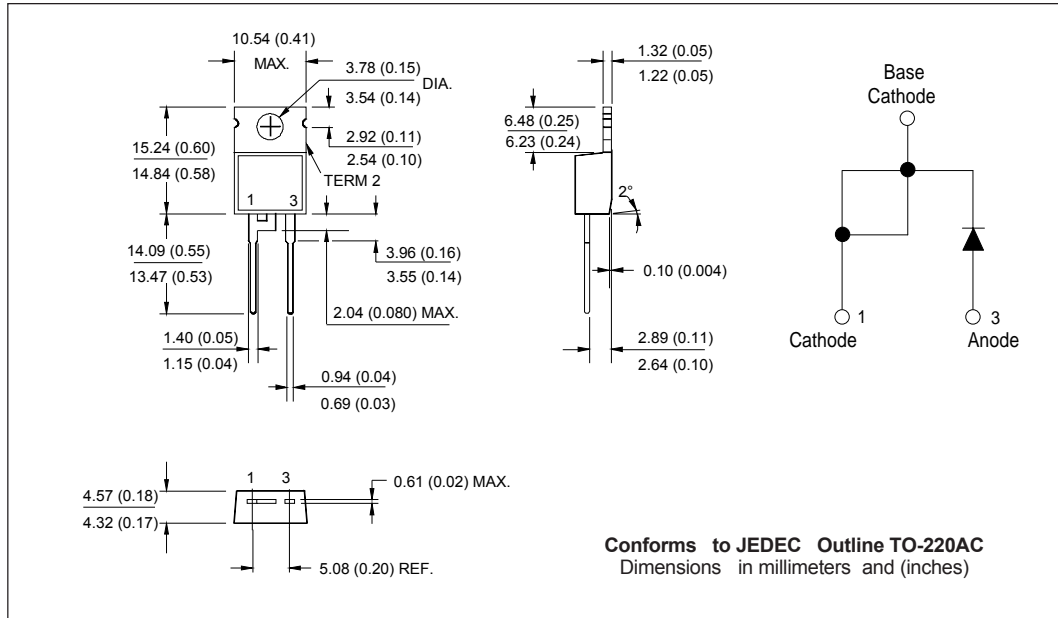
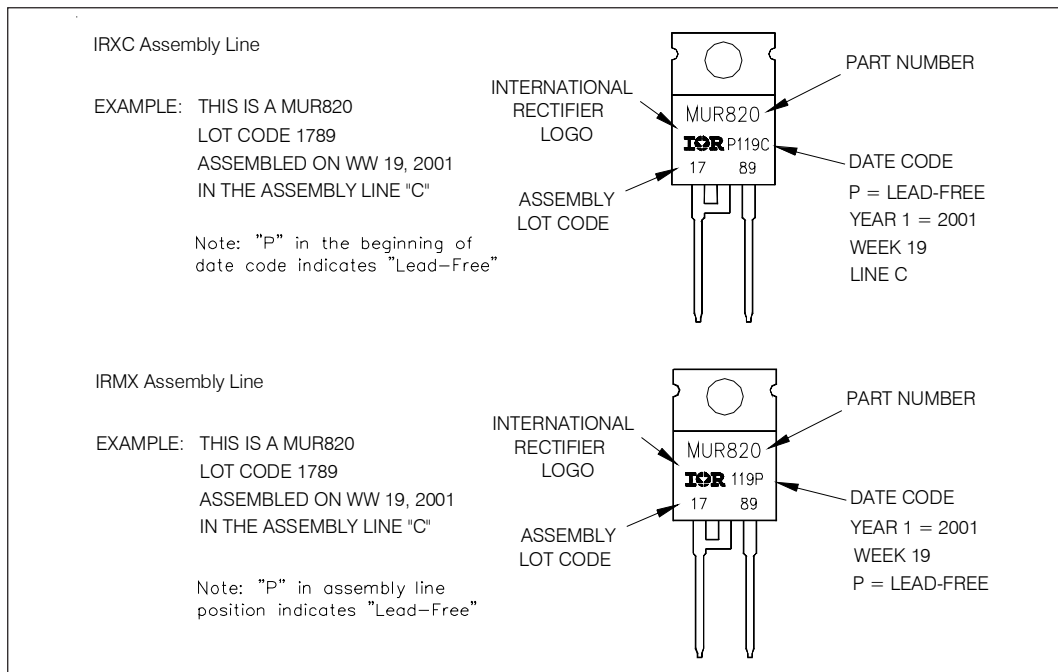


Fig. 10 - Reverse Recovery Waveform and Definitions

Outline Table



Part Marking Information



### Ordering Information Table

|   |            |   |           |            |
|---|------------|---|-----------|------------|
| <b>Device Code</b>                      | <b>MUR</b> | <b>8</b>  | <b>20</b> | <b>PbF</b> |
|   | ①          | ②   | ③         | ④          |
| <b>1</b>                                | -          | Ultrafast MUR Series                              |           |            |
| <b>2</b>                                | -          | Current Rating (8 = 8A)                           |           |            |
| <b>3</b>                                | -          | Voltage Rating (20 = 200V)                        |           |            |
| <b>4</b>                                | -          | • none = Standard Production<br>• PbF = Lead-Free |           |            |
| Tube Standard Pack Quantity : 50 pieces |            |   |           |            |

Data and specifications subject to change without notice.  
This product has been designed and qualified for Industrial Level and Lead-Free.  
Qualification Standards can be found on IR's Web site.

International  
**IR** Rectifier

**IR WORLD HEADQUARTERS:** 233 Kansas St., El Segundo, California 90245, USA Tel: (310) 252-7105  
TAC Fax: (310) 252-7309  
Visit us at [www.irf.com](http://www.irf.com) for sales contact information. 12/04