

March 1997

Features

- Industry Standard Pinout
- Very Low Operating Current **8mA**
at $V_{DD} = 5V$ and Cycle Time = $1\mu s$
- Two Chip Select Inputs Simple Memory Expansion
- Memory Retention for Standby. **2V (Min)**
Battery Voltage
- Output Disable for Common I/O Systems
- Three-State Data Output for Bus Oriented Systems
- Separate Data Inputs and Outputs
- TTL Compatible (MWS5101A)

Description

The MWS5101 and MWS5101A are 256 word by 4-bit static random access memories designed for use in memory systems where high speed, very low operating current, and simplicity in use are desirable. They have separate data inputs and outputs and utilize a single power supply of 4V to 6.5V. The MWS5101 and MWS5101A differ in input voltage characteristics (MWS5101A is TTL compatible).

Two Chip Select inputs are provided to simplify system expansion. An Output Disable control provides Wire-OR capability and is also useful in common Input/Output systems by forcing the output into a high impedance state during a write operation independent of the Chip Select input condition. The output assumes a high impedance state when the Output Disable is at high level or when the chip is deselected by $\overline{CS1}$ and/or $\overline{CS2}$.

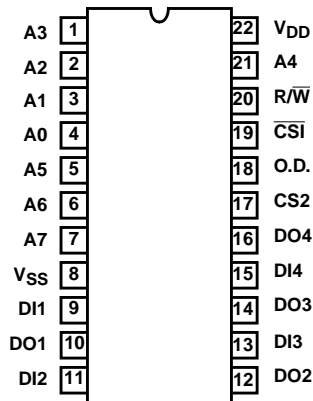
The high noise immunity of the CMOS technology is preserved in this design. For TTL interfacing at 5V operation, excellent system noise margin is preserved by using an external pull-up resistor at each input.

For applications requiring wider temperature and operating voltage ranges, the mechanically and functionally equivalent static RAM, CDP1822 may be used.

The MWS5101 and MWS5101A types are supplied in 22 lead hermetic dual-in-line, sidebraced ceramic packages (D suffix), in 22 lead dual-in-line plastic packages (E suffix), and in chip form (H suffix).

Pinout

MWS5101, MWS5101A
(PDIP, SBDIP)
TOP VIEW



Ordering Information

PACKAGE	TEMP. RANGE	MWS5101		MWS5101A		PKG. NO.
		250ns	350ns	250ns	350ns	
PDIP Burn-In	0°C to +70°C	MWS5101EL2	MWS5101ELS	MWS5101AEL2	MWS5101AEL3	E22.4
					MWS5101AEL3X	E22.4
SBDIP Burn-In	0°C to +70°C	-	MWS5101DL3X	-	MWS5101ADL3	D22.4A
					D22.4A	

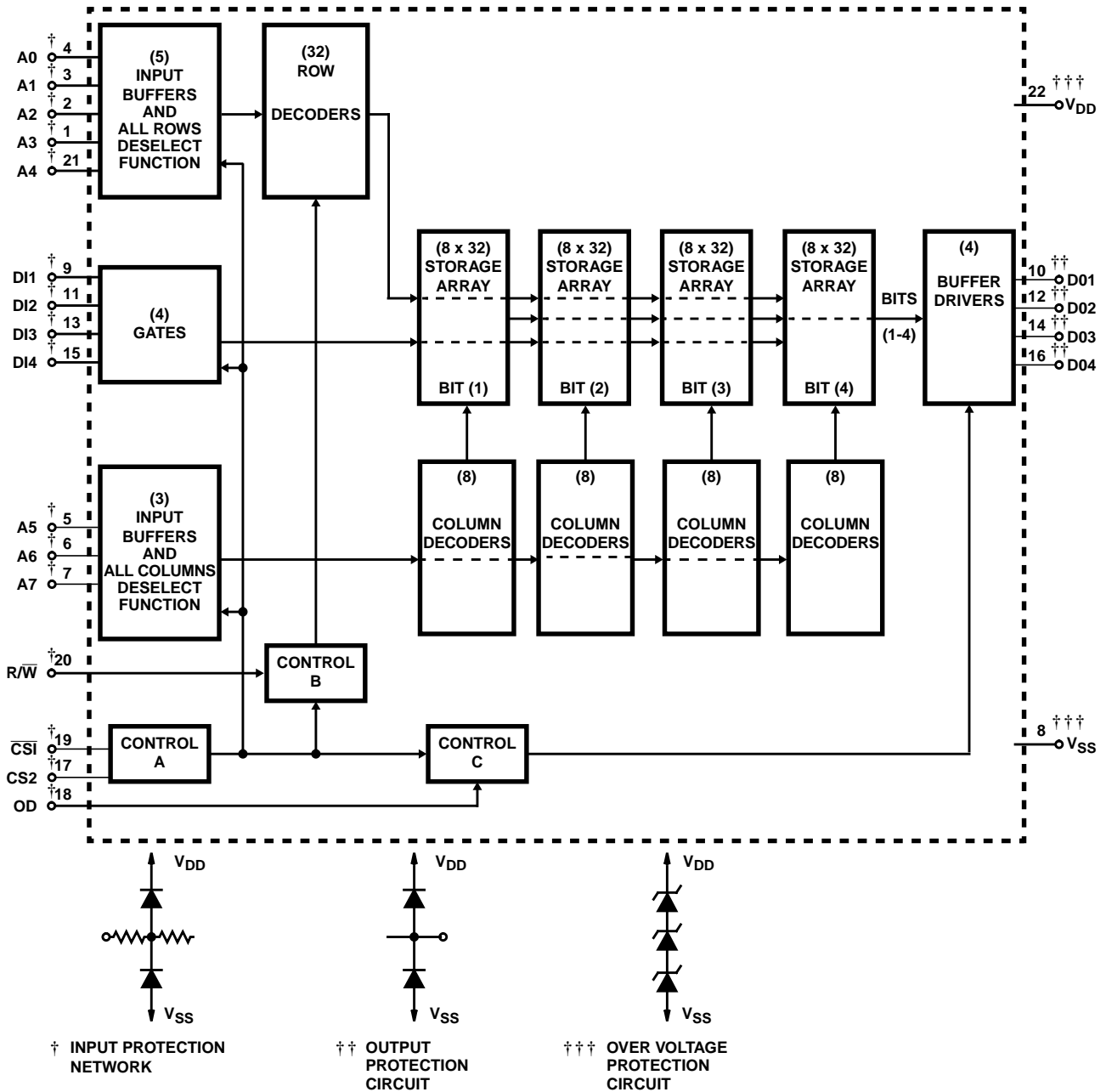
MWS5101, MWS5101A

OPERATIONAL MODES

MODE	INPUTS				OUTPUT
	CHIP SELECT 1 (CS ₁)	CHIP SELECT 2 (CS ₂)	OUTPUT DISABLE (OD)	READ/WRITE (R/W)	
Read	0	1	0	1	Read
Write	0	1	0	0	Data In
Write	0	1	1	0	High Impedance
Standby	1	X	X	X	High Impedance
Standby	X	0	X	X	High Impedance
Output Disable	X	X	1	X	High Impedance

NOTE: Logic 1 = High, Logic 0 = Low, X = Don't Care.

Functional Block Diagram



MWS5101, MWS5101A

Absolute Maximum Ratings

DC Supply Voltage Range, (V_{DD})
 (All Voltages Referenced to V_{SS} Terminal) -0.5V to +7V
 Input Voltage Range, All Inputs -0.5V to V_{DD} +0.5V
 DC Input Current, Any One Input. ± 10 mA

Thermal Information

Thermal Resistance (Typical) θ_{JA} ($^{\circ}\text{C}/\text{W}$) θ_{JC} ($^{\circ}\text{C}/\text{W}$)
 PDIP Package 75 N/A
 SBDIP Package 80 21
 Operating Temperature Range (T_A)
 Package Type D -55 $^{\circ}\text{C}$ to +125 $^{\circ}\text{C}$
 Package Type E -40 $^{\circ}\text{C}$ to +85 $^{\circ}\text{C}$
 Maximum Storage Temperature Range (T_{STG}) . . . -65 $^{\circ}\text{C}$ to +150 $^{\circ}\text{C}$
 Maximum Junction Temperature
 Ceramic Package +175 $^{\circ}\text{C}$
 Plastic Package +150 $^{\circ}\text{C}$
 Maximum Lead Temperature (During Soldering)
 At distance 1/16 \pm 1/32 In. (1.59 \pm 0.79mm)
 from case for 10s max. +265 $^{\circ}\text{C}$

Recommended Operating Conditions At T_A = Full Package Temperature Range. For maximum reliability, operating conditions should be selected so that operation is always within the following ranges:

PARAMETER	LIMITS		UNITS
	MIN	MAX	
DC Operating Voltage Range	4	6.5	V
Input Voltage Range	V_{SS}	V_{DD}	V

Static Electrical Specifications At $T_A = 0^{\circ}\text{C}$ to +70 $^{\circ}\text{C}$, $V_{DD} = 5\text{V} \pm 5\%$

PARAMETER	SYMBOL	CONDITIONS		LIMITS						UNITS	
		V_O (V)	V_{IN} (V)	MWS5101			MWS5101A				
				MIN	(NOTE 1) TYP	MAX	MIN	(NOTE 1) TYP	MAX		
Quiescent Device Current	L2 Types	I_{DD}	-	0, 5	-	25	50	-	25	50	μA
	L3 Types		-	0, 10	-	100	200	-	100	200	μA
Output Low (Sink) Current	I_{OL}	0.4	0, 5	2	4	-	2	4	-	mA	
Output High (Source) Current	I_{OH}	4.6	0, 5	-1	-2	-	-1	-2	-	mA	
Output Voltage Low-Level	V_{OL}	-	0, 5	-	0	0.1	-	0	0.1	V	
Output Voltage High-Level	V_{OH}	-	0, 5	4.9	5	-	4.9	5	-	V	
Input Low Voltage	V_{IL}	-	-	-	-	1.5	-	-	0.65	V	
Input High Voltage	V_{IH}	-	-	3.5	-	-	2.2	-	-	V	
Input Leakage Current	I_{IN}	-	0, 5	-	-	± 5	-	-	± 5	μA	
Operating Current (Note 2)	I_{DD1}	-	0, 5	-	4	8	-	4	8	mA	
Three-State Output Leakage Current	L2 Types	I_{OUT}	0, 5	0, 5	-	-	± 5	-	-	± 5	μA
	L3 Types		0, 5	0, 5	-	-	± 5	-	-	± 5	μA
Input Capacitance	C_{IN}	-	-	-	5	7.5	-	5	7.5	pF	
Output Capacitance	C_{OUT}	-	-	-	10	15	-	10	15	pF	

NOTES:

1. Typical values are for $T_A = +25^{\circ}\text{C}$ and nominal V_{DD} .
2. Outputs open circuited; Cycle time = 1 μs .

MWS5101, MWS5101A

Dynamic Electrical Specifications at $T_A = 0^{\circ}\text{C}$ to $+70^{\circ}\text{C}$, $V_{DD} = 5V \pm 5\%$

PARAMETER	SYMBOL	LIMITS (NOTE 1)						UNITS
		L2 TYPES			L3 TYPES			
		(NOTE 2) MIN	(NOTE 3) TYP	MAX	(NOTE 2) MIN	(NOTE 3) TYP	MAX	
READ CYCLE TIMES (FIGURE 1)								
Read Cycle	t_{RC}	250	-	-	350	-	-	ns
Access from Address	t_{AA}	-	150	250	-	200	350	ns
Output Valid from $\overline{\text{Chip Select 1}}$	t_{DOA1}	-	150	250	-	200	350	ns
Output Valid from Chip Select 2	t_{DOA2}	-	150	250	-	200	350	ns
Output Valid from Output Disable	t_{DOA3}	-	-	110	-	-	150	ns
Output Hold from $\overline{\text{Chip Select 1}}$	t_{DOH1}	20	-	-	20	-	-	ns
Output Hold from Chip Select 2	t_{DOH2}	20	-	-	20	-	-	ns
Output Hold from Output Disable	t_{DOH3}	20	-	-	20	-	-	ns
WRITE CYCLE TIMES (FIGURE 2)								
Write Cycle	t_{WC}	300	-	-	400	-	-	ns
Address Setup	t_{AS}	110	-	-	150	-	-	ns
Write Recovery	t_{WR}	40	-	-	50	-	-	ns
Write Width	t_{WRW}	150	-	-	200	-	-	ns
Input Data Setup Time	t_{DS}	150	-	-	200	-	-	ns
Data in Hold	t_{DH}	40	-	-	50	-	-	ns
$\overline{\text{Chip Select 1}}$ Setup	$t_{\overline{CS}1S}$	110	-	-	150	-	-	ns
Chip Select 2 Setup	t_{CS2S}	110	-	-	150	-	-	ns
Chip Select 1 Hold	$t_{\overline{CS}1H}$	0	-	-	0	-	-	ns
Chip Select 2 Hold	t_{CS2H}	0	-	-	0	-	-	ns
Output Disable Setup	t_{ODS}	110	-	-	150	-	-	ns

NOTES:

1. MWS5101: $t_R, t_F = 20\text{ns}$, $V_{IH} = 0.7V_{DD}$, $V_{IL} = 0.3V_{DD}$; $C_L = 100\text{pF}$ and MWS5101A: $t_R, t_F = 20\text{ns}$, $V_{IH} = 2.2\text{V}$, $V_{IL} = 0.65\text{V}$; $C_L = 50\text{pF}$ and 1 TTL Load.
2. Time required by a limit device to allow for the indicated function.
3. Typical values are for $T_A = 25^{\circ}\text{C}$ and nominal V_{DD} .

MWS5101, MWS5101A

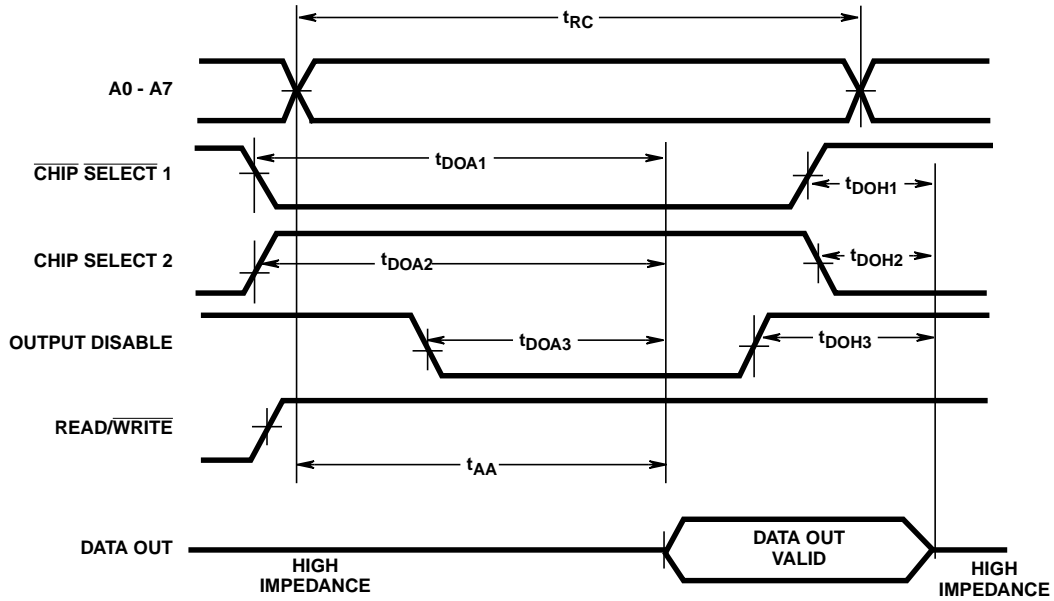
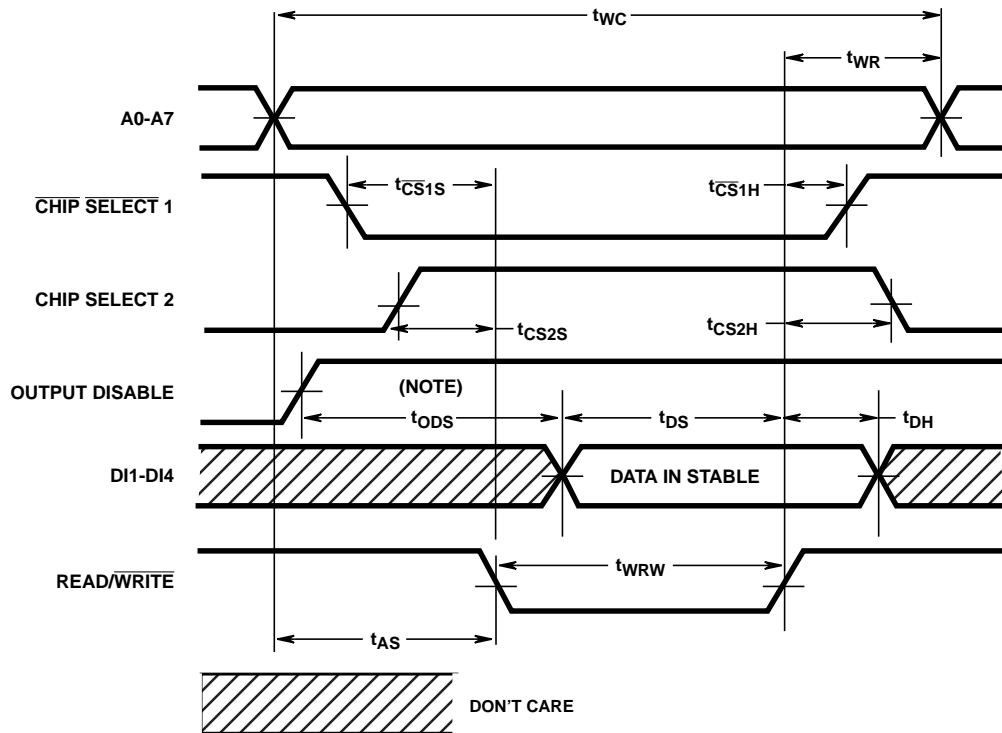


FIGURE 1. READ CYCLE TIMING WAVEFORMS



NOTE: t_{ODS} is required for common I/O operation only; for separate I/O operations, output disable is "don't care".

FIGURE 2. WRITE CYCLE TIME WAVEFORMS

MWS5101, MWS5101A

Data Retention Specifications at $T_A = 0^\circ\text{C}$ to $+70^\circ\text{C}$; See Figure 3

PARAMETER	SYMBOL	TEST CONDITIONS		LIMITS			UNITS
		V_{DR} (V)	V_{DD} (V)	ALL TYPES			
				MIN	(NOTE 1) TYP	MAX	
Minimum Data Retention Voltage	V_{DR}	-	-	-	1.5	2	V
Data Retention Quiescent Current	L2 Types	2	-	-	2	10	μA
	L3 Types						
Chip Deselect to Data Retention Time	t_{CDR}	-	5	600	-	-	ns
Recovery to Normal Operation Time	t_{RC}	-	5	600	-	-	ns
V_{DD} to V_{DR} Rise and Fall Time	t_R, t_F	2	5	1	-	-	μs

NOTE:

1. Typical Values are for $T_A = 25^\circ\text{C}$ and nominal V_{DD} .

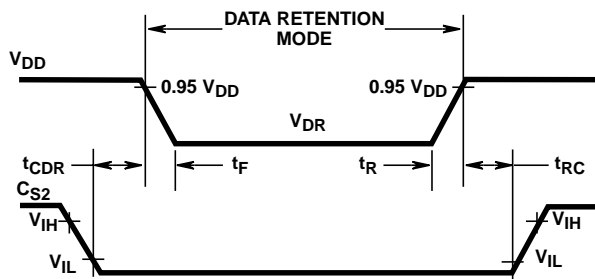


FIGURE 3. LOW V_{DD} DATA RETENTION TIMING WAVEFORMS

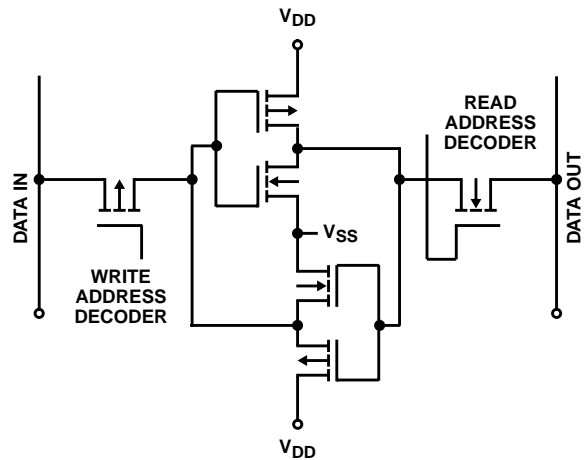


FIGURE 4. MEMORY CELL CONFIGURATION

MWS5101, MWS5101A

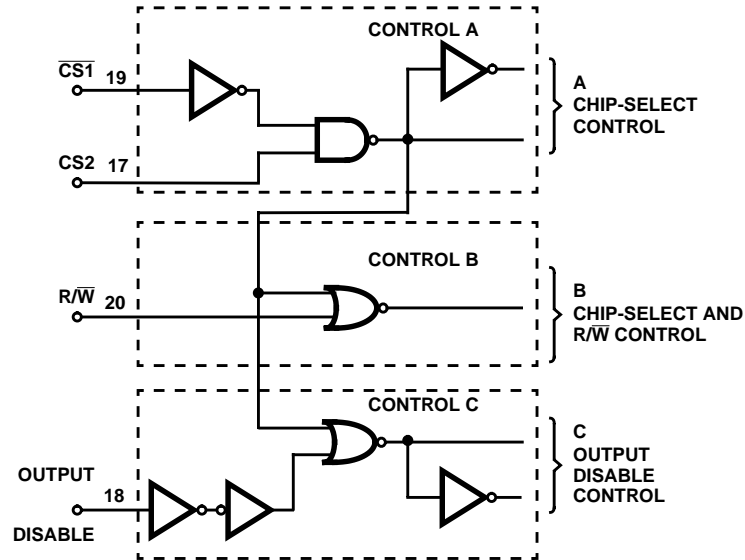


FIGURE 5. LOGIC DIAGRAM OF CONTROLS FOR MWS5101, MWS5101A

All Intersil semiconductor products are manufactured, assembled and tested under **ISO9000** quality systems certification.

Intersil products are sold by description only. Intersil Corporation reserves the right to make changes in circuit design and/or specifications at any time without notice. Accordingly, the reader is cautioned to verify that data sheets are current before placing orders. Information furnished by Intersil is believed to be accurate and reliable. However, no responsibility is assumed by Intersil or its subsidiaries for its use; nor for any infringements of patents or other rights of third parties which may result from its use. No license is granted by implication or otherwise under any patent or patent rights of Intersil or its subsidiaries.

For information regarding Intersil Corporation and its products, see web site <http://www.intersil.com>

Sales Office Headquarters

NORTH AMERICA

Intersil Corporation
P. O. Box 883, Mail Stop 53-204
Melbourne, FL 32902
TEL: (407) 724-7000
FAX: (407) 724-7240

EUROPE

Intersil SA
Mercure Center
100, Rue de la Fusee
1130 Brussels, Belgium
TEL: (32) 2.724.2111
FAX: (32) 2.724.22.05

ASIA

Intersil (Taiwan) Ltd.
Taiwan Limited
7F-6, No. 101 Fu Hsing North Road
Taipei, Taiwan
Republic of China
TEL: (886) 2 2716 9310
FAX: (886) 2 2715 3029