

DESCRIPTION

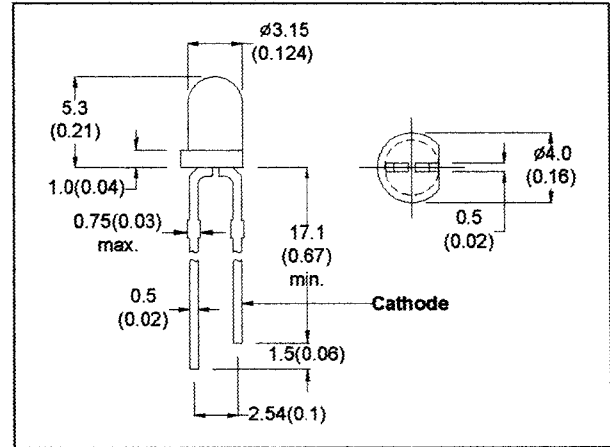
MY31 Series are yellow LED lamp with 3mm diameter epoxy package.

MY31C is yellow chip with yellow transparent lens.

MY31D is yellow chip with yellow diffused lens.

MY31T is yellow chip with clear transparent lens.

MY31W is yellow chip with clear diffused lens.



- All Dimension in mm (inch)
- No Scale
- Tol : +/- 0.3mm

ABSOLUTE MAXIMUM RATINGS

Power Dissipation @Ta=25°C

Forward Current, DC (IF)

Reverse Voltage

Operating & Storage Temperature Range

Lead Soldering Temperature (1/16" from body)

60mW

20mA

5V

-55 to +100°C

260°C for 5 sec.

ELECTRO-OPTICAL CHARACTERISTICS (Ta=25°C)

PARAMETER	SYMBOL	MY31C	MY31D	MY31T	MY31W	UNIT	CONDITIONS
Forward Voltage	MAX VF	3.0	3.0	3.0	3.0	V	IF=20mA
Reverse Breakdown Voltage	MIN BVR	5	5	5	5	V	IR=100 μA
Luminous Intensity	MIN IV	25	8	25	8	mcd	IF=20mA
	TYP	40	12	40	12	mcd	
Peak Wavelength	TYP λp	585	585	585	585	nm	IF=20mA
Spectral Line Half Width	TYP Δλ	35	35	35	35	nm	IF=20mA
Viewing Angle	TYP 2θ 1/2	40	60	40	60	degree	IF=20mA

MICRO ELECTRONICS LTD.

38, Hung To Road, Microtron Building, Kwun Tong, Kowloon, Hong Kong.

Kwun Tong P.O. Box 69477 Hong Kong. Fax No. 2341 0321 Telex:43510 Micro Hx. Tel: 2343 0181-5

Aug-99