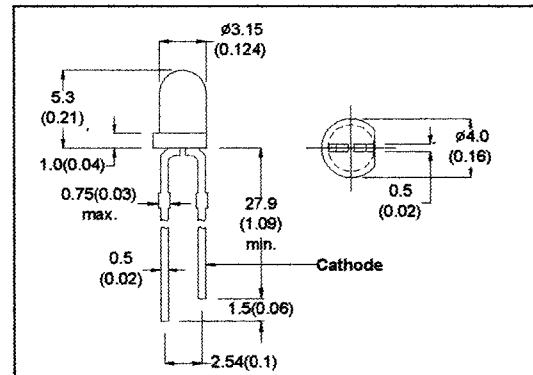


MICRO ELECTRONICS MYB31TA-X

ULTRA HIGH
BRIGHTNESS
YELLOW LED LAMP

DESCRIPTION

MYB31TA-X is high efficiency AlGaInP super yellow LED lamp encapsulated in a 3mm diameter, clear transparent lens. 3 brightness grouping is provided for customer's selection.



- All Dimension in mm (inch)
- No Scale
- Tol : +/- 0.3mm

ABSOLUTE MAXIMUM RATINGS

| | |
|--|------------------|
| Power Dissipation @Ta=25°C | 120mW |
| Forward Current, DC (IF) | 40mA |
| Reverse Voltage | 5V |
| Operating & Storage Temperature Range | -55 to +100°C |
| Lead Soldering Temperature (1/16" from body) | 260°C for 5 sec. |

ELECTRO-OPTICAL CHARACTERISTIC (Ta=25°C)

| PARAMETER | SYMBOL | MIN | TYP | MAX | UNIT | CONDITIONS |
|---------------------------|--------|------|------|-----|--------|------------|
| Forward Voltage | VF | | 2.0 | 3.0 | V | IF=20mA |
| Reverse Breakdown Voltage | BVR | 5 | | | V | IR=100μA |
| Luminous Intensity | IV | | | | | |
| MYB31TA-1 | | 900 | 1500 | | mcd | IF=20mA |
| MYB31TA-2 | | 1500 | 2500 | | mcd | IF=20mA |
| MYB31TA-3 | | 2500 | 3500 | | mcd | IF=20mA |
| Peak Wavelength | λp | | 595 | | nm | IF=20mA |
| Spectral Line Half Width | Δλ | | 15 | 20 | nm | IF=20mA |
| Viewing Angle | 2θ 1/2 | | 40 | | degree | IF=20mA |

MICRO ELECTRONICS LTD.

38, Hung To Road, Microtron Buiding, Kwun Tong, Kowloon, Hong Kong.

Kwun Tong P.O. Box 69477 Hong Kong. Fax No. 2341 0321 Telex:43510 Micro Hx. Tel: 2343 0181-5

Rev. 1

Aug-99