

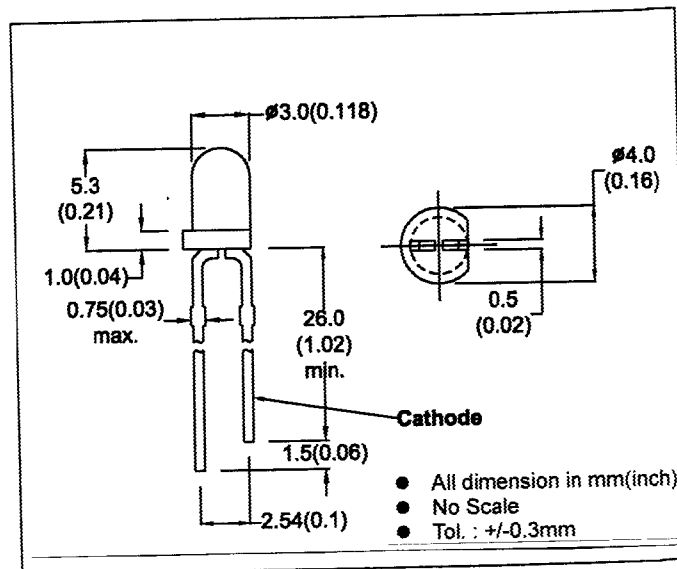
MICRO

ELECTRONIC

ULTRA HIGH
BRIGHTNESS
YELLOW LED
LAMP

DESCRIPTION

MYE39TA-X is high efficiency AlGaInp super yellow LED lamp encapsulated in a 3mm diameter clear transparent lens. 3 brightness grouping is provided for customer's selection.



ABSOLUTE MAXIMUM RATINGS

Power Dissipation @ Ta=25°C
Forward Current, DC (IF)
Reverse Voltage
Operating & Storage Temperature Range
Lead Soldering Temperature (1/16" from body)

120mW
40mA
5V
-55 to +100°C
260°C for 5 sec.

ELECTRO-OPTICAL CHARACTERISTIC (Ta=25°C)

PARAMETER	SYMBOL	MIN	TYP	MAX	UNIT	CONDITIONS
Forward Voltage	VF			3.0	V	IF=20mA
Reverse Breakdown Voltage	BVR	5			V	IR=100μA
Luminous Intensity	IV				mcd	IF=20mA
	-1	850	1400		mcd	IF=20mA
	-2	1400	2000		mcd	IF=20mA
	-3	2000	2500		mcd	IF=20mA
Peak Wavelength	λp		595		nm	IF=20mA
Spectral Line Half Width	Δλ		15	20	nm	IF=20mA
Viewing Angle	2θ 1/2		12		degree	IF=20mA



MICRO ELECTRONICS LTD.

38, Hung To Road, Microtron Building, Kwun Tong, Kowloon, Hong Kong.

Kwun Tong P.O. Box 69477 Hong Kong. Fax No. 2341 0321 Telex:43510 Micro Hx. Tel: 2343 0181-5

MYE39TA-X

