

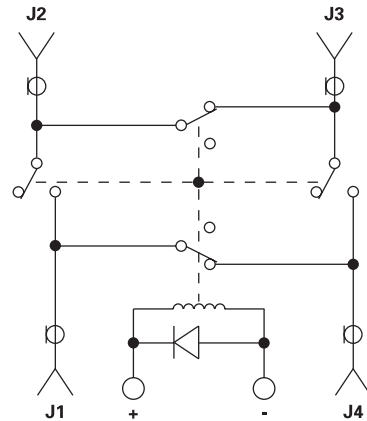
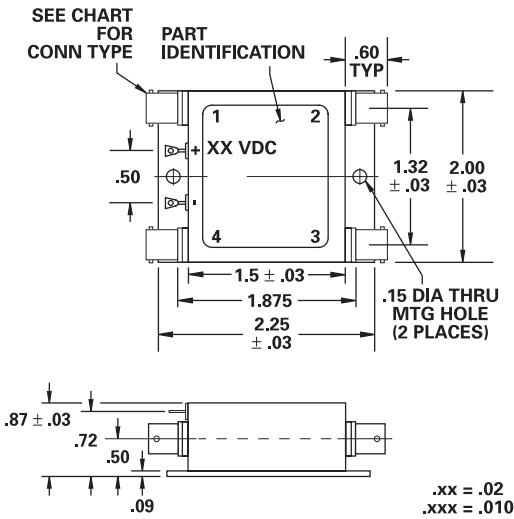
MODEL NUMBER 100C0347

Transfer Switch

FEATURES

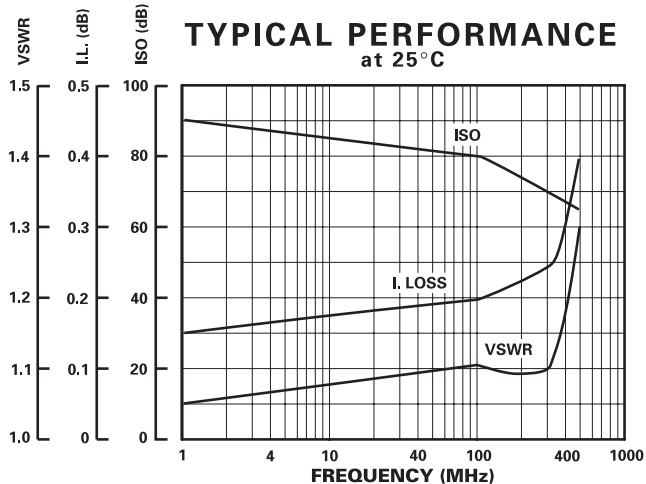
- DC-400 MHz
- 0.4 dB Insertion Loss
- 20 Watt CW
- BNC, TNC or SMA Connectors

XFER



GUARANTEED PERFORMANCE

Parameter	Min	Typ	Max	Units	Conditions
Operating Frequency	DC		400	MHz	
DC Voltage					See Table
Insertion Loss		0.3	0.5	dB	
Isolation	55	62		dB	
VSWR		1.2/1	1.4/1		
Impedance		50		OHMS	
Switching Speed			3	mSEC	
RF Power			20	W	CW
Operating Temperature	-55	+25	+85	°C	TA



CONNECTOR TYPE
- BNC
- SMA
- TNC

CONTROL VOLTAGE TABLE	
Voltage	Current - Typical
6	240 mA per throw
12	125 mA per throw
18	85 mA per throw
26	70 mA per throw

PART NO. EXAMPLE - SEE TABLE
100C0347 - BNC - 12

Basic Part Number

Coil Voltage

Connector Type



DAICO Industries