



14.3×7.5×13.8

NG8N

on Pending

Features

- Small size, light weight.
- Low coil consumption.
- Switching capacity up to 25A motor lock load
- High performance PCB relay
- Suitable for household electrical appliance, automation system

Ordering Information

NG8N 1S C DC12V 0.80
1 2 3 4 5

1 Part number: NG8N

2 Sensitivity: 1:Standard; 1S:High sensitivity

1L:High temperature;

1H:High temperature/High sensitivity

3 Contact arrangement: C:1C

4 Coil rated Voltage(V): DC:12

5 Coil power consumption: 0.64:0.64W; 0.80:0.80W

Contact Data

Contact Arrangement	1C (SPDT(B-M))	
Contact Material	Ag-SnO ₂	
Contact Rating (resistive)	25A motor load (14VDC)	
Max. Switching Power	480W	
Max. Switching Voltage	16VDC	Max. Switching Current:30A
Contact Resistance or Voltage drop	≤250mV (at 10A)	Item 3.12 of IEC255-7
Operation life	Electrical 10 ⁵	Item 3.30 of IEC255-7
	Mechanical 10 ⁶	Item 3.31 of IEC255-7

Coil Parameter

Model	Coil voltage VDC		Coil resistance Ω±10%	Pickup voltage VDC(max)	release voltage VDC(min) (8.3% of rated voltage)	Coil power consumption W	Operate Time ms	Release Time ms
	Rated	Max.						
1	12	16	225	7.2	1.0	0.64		
1S	12	16	180	6.5	1.0	0.80		
1L	12	16	225	7.2	1.0	0.64	≤10	≤5
IH	12	16	180	6.5	1.0	0.80		

CAUTION: 1.The use of any coil voltage less than the rated coil voltage will compromise the operation of the relay.
2.Pickup and release voltage are for test purposes only and are not to be used as design criteria.

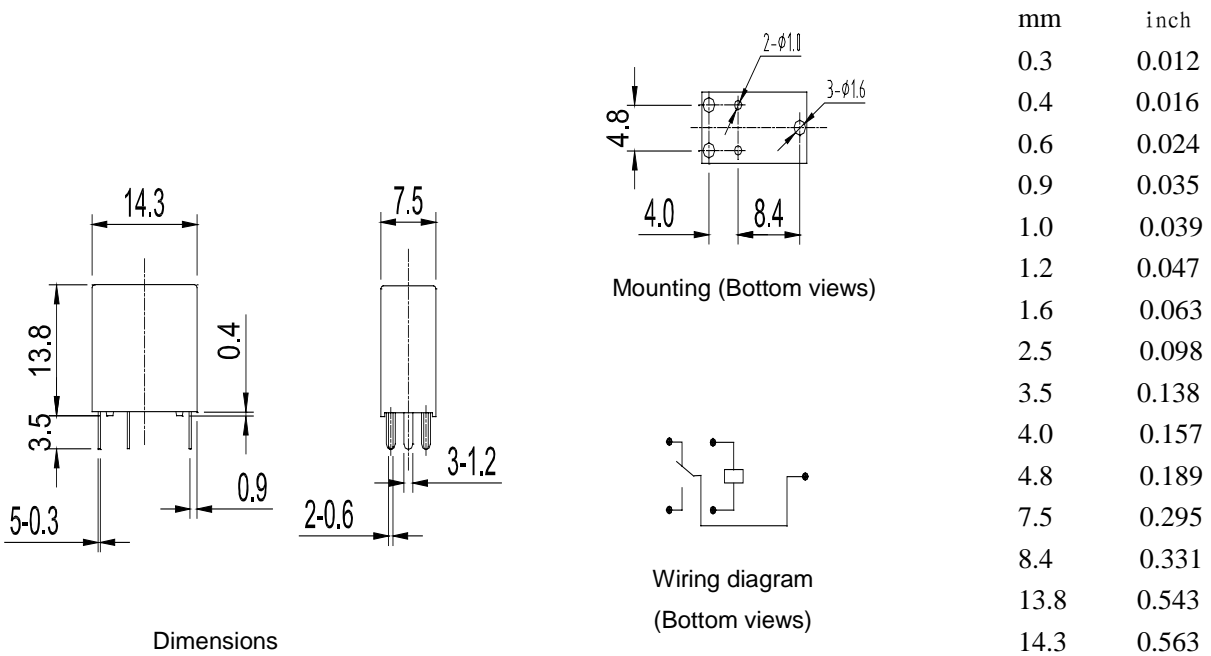
Operation condition

Insulation Resistance	100M Ω min (at 500VDC)	Item 7 of IEC255-5
Dielectric Strength		
Between contacts	50Hz 500V	Item 6 of IEC255-5
Between contact and coil	50Hz 1000V	Item 6 of IEC255-5
Shock resistance	980m/s ² 11ms	IEC68-2-27 Test Ea
Vibration resistance	10Hz~500Hz acceleration: 43.1m/s ²	IEC68-2-6 Test Fc
Terminals strength	5N	IEC68-2-21 Test Ua1
Solderability	235 $^{\circ}$ C \pm 2 $^{\circ}$ C 3 \pm 0.5s	IEC68-2-20 Test Ta method 1
Ambient Temperature	-40~85 $^{\circ}$ C (1L, IH 105 $^{\circ}$ C)	
Relative Humidity	85% (at 40 $^{\circ}$ C)	IEC68-2-3 Test Ca
Mass	4.1g	

Qualification inspection:

Perform the qualification test as specified in the table IV of IEC255-19-1 and minimum sample size 24.

Dimensions (Unit: mm)



NOTES 1).Dimensions are in millimeter.
2).Inch equivalents are given for general information only.