

SINGLE SUPPLY DUAL COMPARATOR

■ **GENERAL DESCRIPTION**

The NJM12903 is single-supply dual voltage comparator, which can operate from 2V supply. The features are input offset voltage, input bias current and low current consumption.

The NJM12903 compare the input signal to 0V(ground) due to the Darlington PNP input stage. The package lineup is DIP, DMP and others compact, which is SON, so that the NJM12903 is suitable for any kind of signal comparator.

■ **PACKAGE OUTLINE**



NJM12903D



NJM12903M



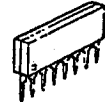
NJM12903E



NJM12903V



NJM12903R



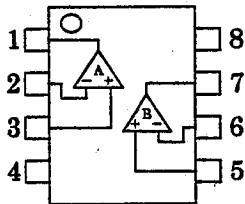
NJM12903L

■ **FEATURES**

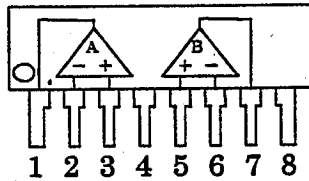
- Operating Voltage (+2V~+14V)
- Open Collector Output
- Bipolar Technology
- Package Outline

DIP8,DMP8,EMP8,SSOP8,
VSP8,SIP8,SON8(PRELIMINARY)

■ **PIN CONFIGURATION**



NJM12903D/12903M
NJM12903E/12903V/12903R
NJM12903x(PRELIMINARY)

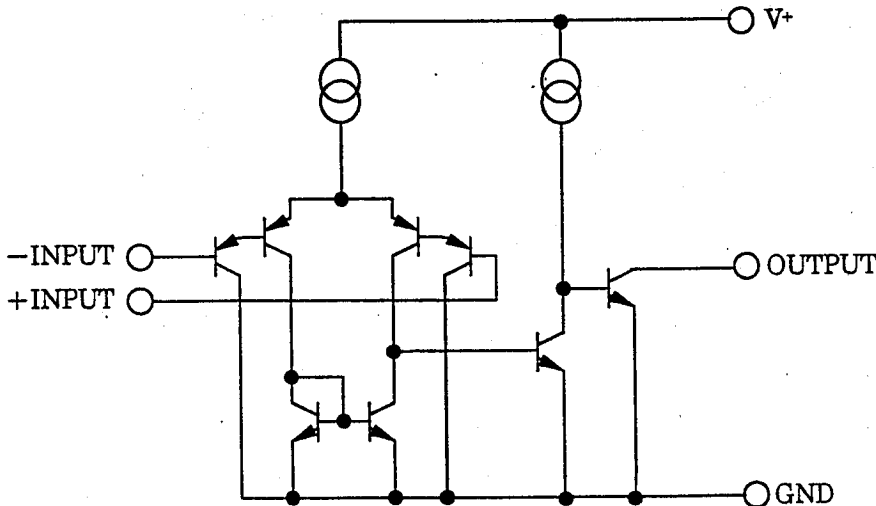


NJM12903L

PIN FUNCTION

1. A OUTPUT
2. A-INPUT
3. A +INPUT
4. GND
5. B +INPUT
6. B-INPUT
7. B OUTPUT
8. V⁺

■ **EQUIVALENT CIRCUIT (1/2Shown)**



■ ABSOLUTE MAXIMUM RATINGS (Ta=25°C)

PARAMETER	SYMBOL	RATINGS	UNIT
Supply Voltage	V ⁺	15	V
Differential Input Voltage	V _{IO}	14	V
Input Voltage	V _{IC}	-0.3~+14	V
Power Dissipation	P _D	(DIP8) 500 (DMP8) 300 (EMP8) 300 (SSOP8) 250 (VSP8) 320 (SIP8) 800 (SON8) U.D.	mW
Operating Temperature Range	Topr	-40~+85	°C
Storage Temperature Range	Tstg	-50~+125	°C

■ ELECTRICAL CHARACTERISTICS (V⁺=5V, Ta=25°C)

PARAMETER	SYMBOL	TEST CONDITION	MIN.	TYP.	MAX.	UNIT
Operating Voltage	Vopr		2	—	14	V
Input Offset Voltage	V _{IO}	R _S =0Ω, V _O ≐1.4V	—	1	4	mV
Input Offset Current	I _{IO}		—	5	50	nA
Input Bias Current	I _B		—	30	200	nA
Large Signal Voltage Gain	A _V	R _L =15kΩ	—	106	—	dB
Input Common Mode Voltage Range	V _{ICM}		0~3.5	—	—	V
Response Time	t _R	R _L =5.1kΩ	—	0.5	—	μs
Output Sink Current	I _{SINK}	V _{IN} ⁺ =0V, V _{IN} ⁻ =1V, V _O =1.5V	6	10	—	mA
Output Saturation	V _{SAT}	V _{IN} ⁺ =0V, V _{IN} ⁻ =1V, I _{SINK} =3mA	—	80	300	mV
Output Leakage Current	I _{LEAK}	V _{IN} ⁺ =0V, V _{IN} ⁻ =1V, V _O =5V	—	0.1	1.0	μA
Operating Current	I _{CC}		—	0.4	1.0	mA

MEMO

[CAUTION]

The specifications on this databook are only given for information, without any guarantee as regards either mistakes or omissions. The application circuits in this databook are described only to show representative usages of the product and not intended for the guarantee or permission of any right including the industrial rights.