

160-common x 132-segment DOT MATRIX LCD DRIVER FOR 4 GRAY SCALE

■GENERAL DESCRIPTION

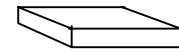
The NJU6682 is a bit map LCD driver to display graphics or characters. It contains 84,480 bits display data RAM, microprocessor interface circuits, instruction decoder, and 160-common and 132-segment drivers.

The bit image data is transferred to the internal display data RAM by serial interface or 8-bit/16-bit parallel interface.

The NJU6682 features 4-gray scale function which creates 4 types gray scale (for example : white/light gray/dark gray/black) or black & white with displays 160 x 132 dots graphics or 8-character 10line by 16 x 16 dots characters.

It oscillates by built-in OSC circuit without any external components. Furthermore, the NJU6682 features Partial Display Function which creates up to 2 blocks of active display area and optimizes duty cycle ratio. This function sets optimum boosted voltage by the combination with both of programmable voltage booster circuit and electrical variable resistor. As result, it reduces the operating current.

The operating voltage from 2.4V to 3.3V and low operating current are useful for small size battery operating items.

■PACKAGE OUTLINE


NJU6682CH

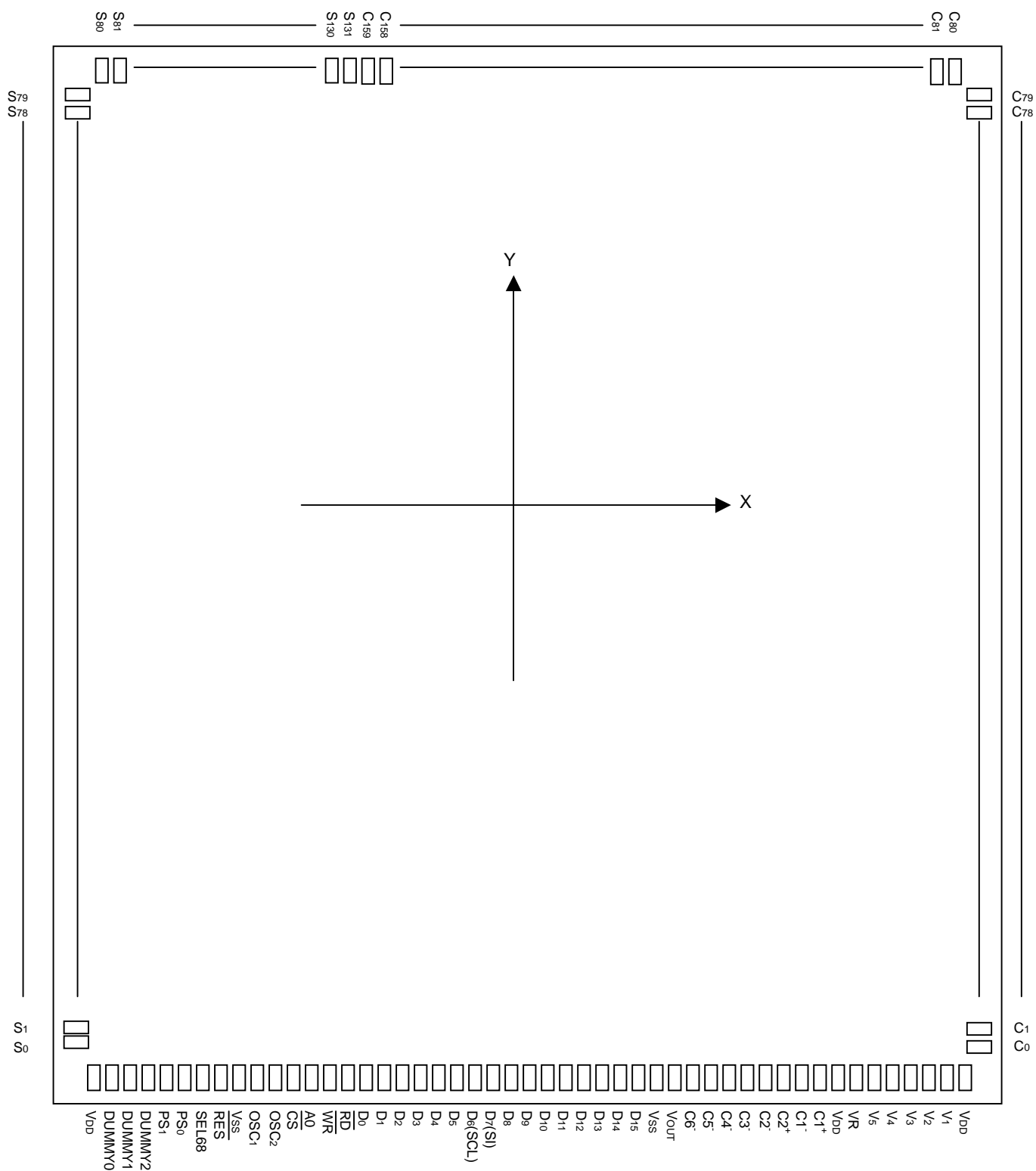
■FEATURES

- Direct Correspondence between Display Data RAM and LCD Pixel
- Display Data RAM - 84,480 bits ;(160-Com x 132-Seg) x 2-area) x 2bit
.....2 times over than display size
- Display Method – Monochrome 4-Gray Scale / Black & White
- Partial Display Function
(2 blocks of active display area and automatic duty cycle ratio selection)
- Variable RAM Mapping
– The display screen can be composed from the RAM area in a maximum of 8 blocks not to continue.
- Easy Vertical Scroll by the variable start line address and over size display data RAM
(This function doesn't work in Variable RAM Mapping mode)
- LCD drivers – 160-common and 132-segment
- Direct 8-bit / 16-bit Microprocessor interface for both of 68 type and 80 type MPU
- Serial Interface
- Programmable Bias selection ; 1/4, 1/5, 1/6, 1/7, 1/8, 1/9, 1/10, 1/11, 1/12, 1/13, 1/14 bias
- Common Driver Order Assignment by mask option

Version	C0 to C159(Pin Name)
NJU6682A	COM0 to COM159
NJU6682B	COM159 to COM0

- Useful Instruction Set
Display Data Read/Write, Display ON/OFF, Z-Address Set, X-Address Set, Y-Address Set, Status Read, Normal or Inverse ON/OFF, Static Drive ON/OFF, Partial Display, n-Line Inverse, EVR Resister Set, Variable RAM Mapping Mode, Gray Scale Level Select, Bias Select, Voltage Converter Multiple Select (7-times maximum), Read Modify Write, Reset ,Internal Power Supply, Driver Outputs ON/OFF, Power Save, ADC Select, Display Mode Select, 8-bit / 16-bit Buss Select, etc.
- Power Supply Circuit for LCD; Programmable Booster Circuits(7-time maximum), Regulator, Voltage Follower x 4
- Precision Electrical Variable Resistance
- Low Power Consumption T.B.D (typ.)
- Operating Voltage 2.4 to 3.3 V
- LCD Driving Voltage 6.0 to 18.0V
- Package Outline Bumped Chip / TCP
- C-MOS Technology

■ PAD LOCATION



Chip Center :X=0um,Y=0um
 Chip Size :X=8.27m,Y=5.67mm
 Chip Thickness :675um ± 30um
 Bump Size :45um x 83um
 Pad Pitch :60um (min)
 Bump Height :15um (typ)
 Bump Material :Au

■ PAD Coordinates

Chip Size 8.27x5.67mm(Chip Center X=0um, Y=0um)

PAD No.	Terminal	X(um)	Y(um)
1	V _{DD}	-3933	-2675
2	DUMMY0	-3863	-2675
3	DUMMY1	-3793	-2675
4	DUMMY2	-3723	-2675
5	PS ₁	-3562	-2675
6	PS ₀	-3325	-2675
7	SEL68	-3105	-2675
8	RES	-2869	-2675
9	V _{SS}	-2712	-2675
10	OSC ₁	-2555	-2675
11	OSC ₂	-2319	-2675
12	CS	-2098	-2675
13	A0	-1862	-2675
14	WR	-1641	-2675
15	RD	-1405	-2675
16	D ₀	-1168	-2675
17	D ₁	-948	-2675
18	D ₂	-727	-2675
19	D ₃	-507	-2675
20	D ₄	-287	-2675
21	D ₅	-66	-2675
22	D ₆ (SCL)	153	-2675
23	D ₇ (SI)	374	-2675
24	D ₈	594	-2675
25	D ₉	814	-2675
26	D ₁₀	1035	-2675
27	D ₁₁	1255	-2675
28	D ₁₂	1476	-2675
29	D ₁₃	1696	-2675
30	D ₁₄	1916	-2675
31	D ₁₅	2137	-2675
32	V _{SS}	2298	-2675
33	V _{OUT}	2368	-2675
34	C6 ⁻	2464	-2675
35	C5 ⁻	2613	-2675
36	C4 ⁻	2683	-2675
37	C3 ⁻	2832	-2675
38	C2 ⁻	2902	-2675
39	C2 ⁺	3050	-2675
40	C1 ⁻	3120	-2675
41	C1 ⁺	3269	-2675
42	V _{DD}	3339	-2675
43	VR	3519	-2675
44	V ₅	3589	-2675
45	V ₄	3659	-2675
46	V ₃	3729	-2675
47	V ₂	3799	-2675
48	V ₁	3869	-2675
49	V _{DD}	3939	-2675
50	C ₀	3975	-2186

PAD No.	Terminal	X(um)	Y(um)
51	C ₁	3975	-2126
52	C ₂	3975	-2066
53	C ₃	3975	-2006
54	C ₄	3975	-1946
55	C ₅	3975	-1886
56	C ₆	3975	-1826
57	C ₇	3975	-1766
58	C ₈	3975	-1706
59	C ₉	3975	-1646
60	C ₁₀	3975	-1586
61	C ₁₁	3975	-1526
62	C ₁₂	3975	-1466
63	C ₁₃	3975	-1406
64	C ₁₄	3975	-1346
65	C ₁₅	3975	-1286
66	C ₁₆	3975	-1226
67	C ₁₇	3975	-1166
68	C ₁₈	3975	-1106
69	C ₁₉	3975	-1046
70	C ₂₀	3975	-986
71	C ₂₁	3975	-926
72	C ₂₂	3975	-866
73	C ₂₃	3975	-806
74	C ₂₄	3975	-746
75	C ₂₅	3975	-686
76	C ₂₆	3975	-626
77	C ₂₇	3975	-566
78	C ₂₈	3975	-506
79	C ₂₉	3975	-446
80	C ₃₀	3975	-386
81	C ₃₁	3975	-326
82	C ₃₂	3975	-266
83	C ₃₃	3975	-206
84	C ₃₄	3975	-146
85	C ₃₅	3975	-86
86	C ₃₆	3975	-26
87	C ₃₇	3975	34
88	C ₃₈	3975	94
89	C ₃₉	3975	154
90	C ₄₀	3975	214
91	C ₄₁	3975	274
92	C ₄₂	3975	334
93	C ₄₃	3975	394
94	C ₄₄	3975	454
95	C ₄₅	3975	514
96	C ₄₆	3975	574
97	C ₄₇	3975	634
98	C ₄₈	3975	694
99	C ₄₉	3975	754
100	C ₅₀	3975	814

PAD No.	Terminal	X(um)	Y(um)
101	C ₅₁	3975	874
102	C ₅₂	3975	934
103	C ₅₃	3975	994
104	C ₅₄	3975	1054
105	C ₅₅	3975	1114
106	C ₅₆	3975	1174
107	C ₅₇	3975	1234
108	C ₅₈	3975	1294
109	C ₅₉	3975	1354
110	C ₆₀	3975	1414
111	C ₆₁	3975	1474
112	C ₆₂	3975	1534
113	C ₆₃	3975	1594
114	C ₆₄	3975	1654
115	C ₆₅	3975	1714
116	C ₆₆	3975	1774
117	C ₆₇	3975	1834
118	C ₆₈	3975	1894
119	C ₆₉	3975	1954
120	C ₇₀	3975	2014
121	C ₇₁	3975	2074
122	C ₇₂	3975	2134
123	C ₇₃	3975	2194
124	C ₇₄	3975	2254
125	C ₇₅	3975	2314
126	C ₇₆	3975	2374
127	C ₇₇	3975	2434
128	C ₇₈	3975	2494
129	C ₇₉	3975	2554
130	C ₈₀	3930	2675
131	C ₈₁	3870	2675
132	C ₈₂	3810	2675
133	C ₈₃	3750	2675
134	C ₈₄	3690	2675
135	C ₈₅	3630	2675
136	C ₈₆	3570	2675
137	C ₈₇	3510	2675
138	C ₈₈	3450	2675
139	C ₈₉	3390	2675
140	C ₉₀	3330	2675
141	C ₉₁	3270	2675
142	C ₉₂	3210	2675
143	C ₉₃	3150	2675
144	C ₉₄	3090	2675
145	C ₉₅	3030	2675
146	C ₉₆	2970	2675
147	C ₉₇	2910	2675
148	C ₉₈	2850	2675
149	C ₉₉	2790	2675
150	C ₁₀₀	2730	2675

PAD No.	Terminal	X(um)	Y(um)
151	C ₁₀₁	2670	2675
152	C ₁₀₂	2610	2675
153	C ₁₀₃	2550	2675
154	C ₁₀₄	2490	2675
155	C ₁₀₅	2430	2675
156	C ₁₀₆	2370	2675
157	C ₁₀₇	2310	2675
158	C ₁₀₈	2250	2675
159	C ₁₀₉	2190	2675
160	C ₁₁₀	2130	2675
161	C ₁₁₁	2070	2675
162	C ₁₁₂	2010	2675
163	C ₁₁₃	1950	2675
164	C ₁₁₄	1890	2675
165	C ₁₁₅	1830	2675
166	C ₁₁₆	1770	2675
167	C ₁₁₇	1710	2675
168	C ₁₁₈	1650	2675
169	C ₁₁₉	1590	2675
170	C ₁₂₀	1530	2675
171	C ₁₂₁	1470	2675
172	C ₁₂₂	1410	2675
173	C ₁₂₃	1350	2675
174	C ₁₂₄	1290	2675
175	C ₁₂₅	1230	2675
176	C ₁₂₆	1170	2675
177	C ₁₂₇	1110	2675
178	C ₁₂₈	1050	2675
179	C ₁₂₉	990	2675
180	C ₁₃₀	930	2675
181	C ₁₃₁	870	2675
182	C ₁₃₂	810	2675
183	C ₁₃₃	750	2675
184	C ₁₃₄	690	2675
185	C ₁₃₅	630	2675
186	C ₁₃₆	570	2675
187	C ₁₃₇	510	2675
188	C ₁₃₈	450	2675
189	C ₁₃₉	390	2675
190	C ₁₄₀	330	2675
191	C ₁₄₁	270	2675
192	C ₁₄₂	210	2675
193	C ₁₄₃	150	2675
194	C ₁₄₄	90	2675
195	C ₁₄₅	30	2675
196	C ₁₄₆	-30	2675
197	C ₁₄₇	-90	2675
198	C ₁₄₈	-150	2675
199	C ₁₄₉	-210	2675
200	C ₁₅₀	-270	2675

PAD No.	Terminal	X(um)	Y(um)
201	C ₁₅₁	-330	2675
202	C ₁₅₂	-390	2675
203	C ₁₅₃	-450	2675
204	C ₁₅₄	-510	2675
205	C ₁₅₅	-570	2675
206	C ₁₅₆	-630	2675
207	C ₁₅₇	-690	2675
208	C ₁₅₈	-750	2675
209	C ₁₅₉	-810	2675
210	S ₁₃₁	-870	2675
211	S ₁₃₀	-930	2675
212	S ₁₂₉	-990	2675
213	S ₁₂₈	-1050	2675
214	S ₁₂₇	-1110	2675
215	S ₁₂₆	-1170	2675
216	S ₁₂₅	-1230	2675
217	S ₁₂₄	-1290	2675
218	S ₁₂₃	-1350	2675
219	S ₁₂₂	-1410	2675
220	S ₁₂₁	-1470	2675
221	S ₁₂₀	-1530	2675
222	S ₁₁₉	-1590	2675
223	S ₁₁₈	-1650	2675
224	S ₁₁₇	-1710	2675
225	S ₁₁₆	-1770	2675
226	S ₁₁₅	-1830	2675
227	S ₁₁₄	-1890	2675
228	S ₁₁₃	-1950	2675
229	S ₁₁₂	-2010	2675
230	S ₁₁₁	-2070	2675
231	S ₁₁₀	-2130	2675
232	S ₁₀₉	-2190	2675
233	S ₁₀₈	-2250	2675
234	S ₁₀₇	-2310	2675
235	S ₁₀₆	-2370	2675
236	S ₁₀₅	-2430	2675
237	S ₁₀₄	-2490	2675
238	S ₁₀₃	-2550	2675
239	S ₁₀₂	-2610	2675
240	S ₁₀₁	-2670	2675
241	S ₁₀₀	-2730	2675
242	S ₉₉	-2790	2675
243	S ₉₈	-2850	2675
244	S ₉₇	-2910	2675
245	S ₉₆	-2970	2675
246	S ₉₅	-3030	2675
247	S ₉₄	-3090	2675
248	S ₉₃	-3150	2675
249	S ₉₂	-3210	2675
250	S ₉₁	-3270	2675

PAD No.	Terminal	X(um)	Y(um)
251	S ₉₀	-3330	2675
252	S ₈₉	-3390	2675
253	S ₈₈	-3450	2675
254	S ₈₇	-3510	2675
255	S ₈₆	-3570	2675
256	S ₈₅	-3630	2675
257	S ₈₄	-3690	2675
258	S ₈₃	-3750	2675
259	S ₈₂	-3810	2675
260	S ₈₁	-3870	2675
261	S ₈₀	-3930	2675
262	S ₇₉	-3975	2517
263	S ₇₈	-3975	2457
264	S ₇₇	-3975	2397
265	S ₇₆	-3975	2337
266	S ₇₅	-3975	2277
267	S ₇₄	-3975	2217
268	S ₇₃	-3975	2157
269	S ₇₂	-3975	2097
270	S ₇₁	-3975	2037
271	S ₇₀	-3975	1977
272	S ₆₉	-3975	1917
273	S ₆₈	-3975	1857
274	S ₆₇	-3975	1797
275	S ₆₆	-3975	1737
276	S ₆₅	-3975	1677
277	S ₆₄	-3975	1617
278	S ₆₃	-3975	1557
279	S ₆₂	-3975	1497
280	S ₆₁	-3975	1437
281	S ₆₀	-3975	1377
282	S ₅₉	-3975	1317
283	S ₅₈	-3975	1257
284	S ₅₇	-3975	1197
285	S ₅₆	-3975	1137
286	S ₅₅	-3975	1077
287	S ₅₄	-3975	1017
288	S ₅₃	-3975	957
289	S ₅₂	-3975	897
290	S ₅₁	-3975	837
291	S ₅₀	-3975	777
292	S ₄₉	-3975	717
293	S ₄₈	-3975	657
294	S ₄₇	-3975	597
295	S ₄₆	-3975	537
296	S ₄₅	-3975	477
297	S ₄₄	-3975	417
298	S ₄₃	-3975	357
299	S ₄₂	-3975	297
300	S ₄₁	-3975	237

PAD No.	Terminal	X(um)	Y(um)
301	S ₄₀	-3975	177
302	S ₃₉	-3975	117
303	S ₃₈	-3975	57
304	S ₃₇	-3975	-2
305	S ₃₆	-3975	-62
306	S ₃₅	-3975	-122
307	S ₃₄	-3975	-182
308	S ₃₃	-3975	-242
309	S ₃₂	-3975	-302
310	S ₃₁	-3975	-362
311	S ₃₀	-3975	-422
312	S ₂₉	-3975	-482
313	S ₂₈	-3975	-542
314	S ₂₇	-3975	-602
315	S ₂₆	-3975	-662
316	S ₂₅	-3975	-722
317	S ₂₄	-3975	-782
318	S ₂₃	-3975	-842
319	S ₂₂	-3975	-902
320	S ₂₁	-3975	-962
321	S ₂₀	-3975	-1022
322	S ₁₉	-3975	-1082
323	S ₁₈	-3975	-1142
324	S ₁₇	-3975	-1202
325	S ₁₆	-3975	-1262
326	S ₁₅	-3975	-1322
327	S ₁₄	-3975	-1382
328	S ₁₃	-3975	-1442
329	S ₁₂	-3975	-1502
330	S ₁₁	-3975	-1562
331	S ₁₀	-3975	-1622
332	S ₉	-3975	-1682
333	S ₈	-3975	-1742
334	S ₇	-3975	-1802
335	S ₆	-3975	-1862
336	S ₅	-3975	-1922
337	S ₄	-3975	-1982
338	S ₃	-3975	-2042
339	S ₂	-3975	-2102
340	S ₁	-3975	-2162
341	S ₀	-3975	-2222

■TERMINAL DESCRIPTION

No.	Symbol	I/O	Function																																																												
2 to 4	DUMMY		Dummy Terminals. These terminals are insulated.																																																												
1,42,49	VDD	Power	2.4V to 3.3V																																																												
9,32	VSS	GND	GND																																																												
48 47 46 45 44	V1 V2 V3 V4 V5	Power	LCD Driving Voltage Supplying Terminal. When the internal voltage booster is not used, supply each level of LCD driving voltage from outside with following relation. $VDD \geq V1 \geq V2 \geq V3 \geq V4 \geq V5$																																																												
			When the internal power supply is used, the internal circuits generate and supply following LCD bias voltage from V1 to V4 terminals.																																																												
			<table border="1" style="width: 100%; border-collapse: collapse;"> <thead> <tr> <th>Bias</th> <th>V1</th> <th>V2</th> <th>V3</th> <th>V4</th> </tr> </thead> <tbody> <tr> <td>1/4Bias</td> <td>$V5+3/4V_{lcd}$</td> <td>$V5+2/4V_{lcd}$</td> <td>$V5+2/4V_{lcd}$</td> <td>$V5+1/4V_{lcd}$</td> </tr> <tr> <td>1/5Bias</td> <td>$V5+4/5V_{lcd}$</td> <td>$V5+3/5V_{lcd}$</td> <td>$V5+2/5V_{lcd}$</td> <td>$V5+1/5V_{lcd}$</td> </tr> <tr> <td>1/6Bias</td> <td>$V5+5/6V_{lcd}$</td> <td>$V5+4/6V_{lcd}$</td> <td>$V5+2/6V_{lcd}$</td> <td>$V5+1/6V_{lcd}$</td> </tr> <tr> <td>1/7Bias</td> <td>$V5+6/7V_{lcd}$</td> <td>$V5+5/7V_{lcd}$</td> <td>$V5+2/7V_{lcd}$</td> <td>$V5+1/7V_{lcd}$</td> </tr> <tr> <td>1/8Bias</td> <td>$V5+7/8V_{lcd}$</td> <td>$V5+6/8V_{lcd}$</td> <td>$V5+2/8V_{lcd}$</td> <td>$V5+1/8V_{lcd}$</td> </tr> <tr> <td>1/9Bias</td> <td>$V5+8/9V_{lcd}$</td> <td>$V5+7/9V_{lcd}$</td> <td>$V5+2/9V_{lcd}$</td> <td>$V5+1/9V_{lcd}$</td> </tr> <tr> <td>1/10Bias</td> <td>$V5+9/10V_{lcd}$</td> <td>$V5+8/10V_{lcd}$</td> <td>$V5+2/10V_{lcd}$</td> <td>$V5+1/10V_{lcd}$</td> </tr> <tr> <td>1/11Bias</td> <td>$V5+10/11V_{lcd}$</td> <td>$V5+9/11V_{lcd}$</td> <td>$V5+2/11V_{lcd}$</td> <td>$V5+1/11V_{lcd}$</td> </tr> <tr> <td>1/12Bias</td> <td>$V5+11/12V_{lcd}$</td> <td>$V5+10/12V_{lcd}$</td> <td>$V5+2/12V_{lcd}$</td> <td>$V5+1/12V_{lcd}$</td> </tr> <tr> <td>1/13Bias</td> <td>$V5+12/13V_{lcd}$</td> <td>$V5+11/13V_{lcd}$</td> <td>$V5+2/13V_{lcd}$</td> <td>$V5+1/13V_{lcd}$</td> </tr> <tr> <td>1/14Bias</td> <td>$V5+13/14V_{lcd}$</td> <td>$V5+12/14V_{lcd}$</td> <td>$V5+2/14V_{lcd}$</td> <td>$V5+1/14V_{lcd}$</td> </tr> </tbody> </table>	Bias	V1	V2	V3	V4	1/4Bias	$V5+3/4V_{lcd}$	$V5+2/4V_{lcd}$	$V5+2/4V_{lcd}$	$V5+1/4V_{lcd}$	1/5Bias	$V5+4/5V_{lcd}$	$V5+3/5V_{lcd}$	$V5+2/5V_{lcd}$	$V5+1/5V_{lcd}$	1/6Bias	$V5+5/6V_{lcd}$	$V5+4/6V_{lcd}$	$V5+2/6V_{lcd}$	$V5+1/6V_{lcd}$	1/7Bias	$V5+6/7V_{lcd}$	$V5+5/7V_{lcd}$	$V5+2/7V_{lcd}$	$V5+1/7V_{lcd}$	1/8Bias	$V5+7/8V_{lcd}$	$V5+6/8V_{lcd}$	$V5+2/8V_{lcd}$	$V5+1/8V_{lcd}$	1/9Bias	$V5+8/9V_{lcd}$	$V5+7/9V_{lcd}$	$V5+2/9V_{lcd}$	$V5+1/9V_{lcd}$	1/10Bias	$V5+9/10V_{lcd}$	$V5+8/10V_{lcd}$	$V5+2/10V_{lcd}$	$V5+1/10V_{lcd}$	1/11Bias	$V5+10/11V_{lcd}$	$V5+9/11V_{lcd}$	$V5+2/11V_{lcd}$	$V5+1/11V_{lcd}$	1/12Bias	$V5+11/12V_{lcd}$	$V5+10/12V_{lcd}$	$V5+2/12V_{lcd}$	$V5+1/12V_{lcd}$	1/13Bias	$V5+12/13V_{lcd}$	$V5+11/13V_{lcd}$	$V5+2/13V_{lcd}$	$V5+1/13V_{lcd}$	1/14Bias	$V5+13/14V_{lcd}$	$V5+12/14V_{lcd}$	$V5+2/14V_{lcd}$	$V5+1/14V_{lcd}$
			Bias	V1	V2	V3	V4																																																								
			1/4Bias	$V5+3/4V_{lcd}$	$V5+2/4V_{lcd}$	$V5+2/4V_{lcd}$	$V5+1/4V_{lcd}$																																																								
			1/5Bias	$V5+4/5V_{lcd}$	$V5+3/5V_{lcd}$	$V5+2/5V_{lcd}$	$V5+1/5V_{lcd}$																																																								
			1/6Bias	$V5+5/6V_{lcd}$	$V5+4/6V_{lcd}$	$V5+2/6V_{lcd}$	$V5+1/6V_{lcd}$																																																								
			1/7Bias	$V5+6/7V_{lcd}$	$V5+5/7V_{lcd}$	$V5+2/7V_{lcd}$	$V5+1/7V_{lcd}$																																																								
			1/8Bias	$V5+7/8V_{lcd}$	$V5+6/8V_{lcd}$	$V5+2/8V_{lcd}$	$V5+1/8V_{lcd}$																																																								
			1/9Bias	$V5+8/9V_{lcd}$	$V5+7/9V_{lcd}$	$V5+2/9V_{lcd}$	$V5+1/9V_{lcd}$																																																								
			1/10Bias	$V5+9/10V_{lcd}$	$V5+8/10V_{lcd}$	$V5+2/10V_{lcd}$	$V5+1/10V_{lcd}$																																																								
			1/11Bias	$V5+10/11V_{lcd}$	$V5+9/11V_{lcd}$	$V5+2/11V_{lcd}$	$V5+1/11V_{lcd}$																																																								
			1/12Bias	$V5+11/12V_{lcd}$	$V5+10/12V_{lcd}$	$V5+2/12V_{lcd}$	$V5+1/12V_{lcd}$																																																								
			1/13Bias	$V5+12/13V_{lcd}$	$V5+11/13V_{lcd}$	$V5+2/13V_{lcd}$	$V5+1/13V_{lcd}$																																																								
			1/14Bias	$V5+13/14V_{lcd}$	$V5+12/14V_{lcd}$	$V5+2/14V_{lcd}$	$V5+1/14V_{lcd}$																																																								
			($V_{lcd}=V_{dd}-V5$)																																																												
41 40 39 38 37 36 35 34	C1+ C1- C2+ C2- C3- C4- C5- C6-	O	Step up capacitor connecting terminals. Voltage booster circuit (adjustable with 2 to 7 times)																																																												
33	VOUT	O	Step up voltage output terminal. Connect the step up capacitor between this terminal and VSS.																																																												
43	VR	I	Voltage adjust terminal. V5 level is adjusted by external bleeder resistance connecting between VDD and V5 terminal.																																																												
16 to 23 (23) (22)	D0 to D7 (SI) (SCL)	I/O	<p>(P/S="H")In Pararel Interface Mode</p> <ul style="list-style-type: none"> ●8-bit bus mode*¹: I/O terminals for 8-bit bus. ●16-bit bus mode*¹: I/O terminals for the 8-bits of lower ranks of 16-bit bus. <p>*¹ To set these 8-bit / 16-bit mode, use Instruction " 8-bit / 16-bit Bus Select ".</p> <p>(P/S="L")In Serial Interface Mode</p> <ul style="list-style-type: none"> ●D7: Input terminal for serial data (SI). ●D6: Input terminal for serial data clock (SCL). <p>When select these mode, D0 to D5 will be Hi-Z status.</p> <p>(CS="H") D0 to D7 shown Hi-Z.</p>																																																												

No.	Symbol	I/O	Function																															
24 to 30	D8 to D15	I/O	8-bit Bus Mode & Serial Mode ●Output terminal with Hi-Z status. 16-bit Bus Mode ●I/O terminals for the upper 8-bits of 16-bit bus.																															
13	A0	I	Normally, connect to the address bus of MPU. The data on the D0 to D7 is distinguished as Display Data or Instruction by status of A0. <table border="1" style="margin: 10px auto; border-collapse: collapse; text-align: center;"> <thead> <tr> <th>PS1 terminal</th> <th>PS0 terminal</th> <th>Ao terminal</th> <th>Distinction</th> </tr> </thead> <tbody> <tr> <td rowspan="2">H</td> <td rowspan="2">—</td> <td>H</td> <td>Display Data</td> </tr> <tr> <td>L</td> <td>Instruction</td> </tr> <tr> <td rowspan="2">L</td> <td rowspan="2">H</td> <td>H</td> <td>Display Data</td> </tr> <tr> <td>L</td> <td>Instruction</td> </tr> <tr> <td>L</td> <td>L</td> <td>—</td> <td>The 17th data of serial data is recognized as A0.</td> </tr> </tbody> </table> <p style="text-align: center;">— : H or L</p>	PS1 terminal	PS0 terminal	Ao terminal	Distinction	H	—	H	Display Data	L	Instruction	L	H	H	Display Data	L	Instruction	L	L	—	The 17th data of serial data is recognized as A0.											
PS1 terminal	PS0 terminal	Ao terminal	Distinction																															
H	—	H	Display Data																															
		L	Instruction																															
L	H	H	Display Data																															
		L	Instruction																															
L	L	—	The 17th data of serial data is recognized as A0.																															
8	$\overline{\text{RES}}$	I	Reset terminal. When the RES terminal goes to "L", the initialization is performed. Reset operation is executing during "L" state of RES.																															
12	$\overline{\text{CS}}$	I	Chip select terminal. Data Input/Output are available during CS="L".																															
15	$\overline{\text{RD}}$	I	< In case of 80 type MPU (PS1="H", SEL68="L") > RD signal of 80 type MPU input terminal. Active "L". During this signal is "L", D0 to D7 terminals are output.																															
	(E)	I	< In case of 68 type MPU (PS1="H", SEL68="H") > Enable signal of 68 type MPU input terminal. Active "H".																															
14	$\overline{\text{WR}}$	I	< In case of 80 type MPU (PS1="H", SEL68="L") > Connect to the 80 type MPU WR signal. Active "L". The data on the data bus input synchronizing the rise edge of this terminal.																															
	(R/W)	I	< In case of 68 type MPU (PS1="H", SEL68="H") > The read / Write control signal of 68 type MPU input terminal. <table border="1" style="margin: 10px auto; border-collapse: collapse; text-align: center;"> <thead> <tr> <th>R/W</th> <th>H</th> <th>L</th> </tr> </thead> <tbody> <tr> <td>State</td> <td>Read</td> <td>Write</td> </tr> </tbody> </table>	R/W	H	L	State	Read	Write																									
R/W	H	L																																
State	Read	Write																																
7	SEL68	I	MPU interface type selection terminal. <table border="1" style="margin: 10px auto; border-collapse: collapse; text-align: center;"> <thead> <tr> <th>SEL68</th> <th>H</th> <th>L</th> </tr> </thead> <tbody> <tr> <td>State</td> <td>68 type</td> <td>80 type</td> </tr> </tbody> </table>	SEL68	H	L	State	68 type	80 type																									
SEL68	H	L																																
State	68 type	80 type																																
6 5	PS0 PS1	I	Serial or parallel type interface selection terminal. <table border="1" style="margin: 10px auto; border-collapse: collapse; text-align: center;"> <thead> <tr> <th>PS1</th> <th>PS0</th> <th>Interface</th> <th>Chip Select</th> <th>Data/ Command</th> <th>Data</th> <th>Read/ Write</th> <th>Serial Clock</th> </tr> </thead> <tbody> <tr> <td>"H"</td> <td>-</td> <td>Parallel</td> <td>$\overline{\text{CS}}$</td> <td>A0</td> <td>$\overline{\text{RD}}$ $\overline{\text{WR}}$</td> <td>Write Only</td> <td>-</td> </tr> <tr> <td rowspan="2">"L"</td> <td>"H"</td> <td>Serial 4-wire</td> <td>$\overline{\text{CS}}$</td> <td>A0</td> <td>SI(D7)</td> <td>Write Only</td> <td>SCL (D6)</td> </tr> <tr> <td>"L"</td> <td>Serial 3-wire</td> <td>$\overline{\text{CS}}$</td> <td>The 17th data of serial data is recognized as A0.</td> <td>SI(D7)</td> <td>Write Only</td> <td>SCL (D6)</td> </tr> </tbody> </table> <p style="text-align: center;">— : H or L</p> ●In case of serial interface (PS1=0), RD and WR must be fixed to "H" or "L", and D0 to D5 will be Hi-Z.	PS1	PS0	Interface	Chip Select	Data/ Command	Data	Read/ Write	Serial Clock	"H"	-	Parallel	$\overline{\text{CS}}$	A0	$\overline{\text{RD}}$ $\overline{\text{WR}}$	Write Only	-	"L"	"H"	Serial 4-wire	$\overline{\text{CS}}$	A0	SI(D7)	Write Only	SCL (D6)	"L"	Serial 3-wire	$\overline{\text{CS}}$	The 17th data of serial data is recognized as A0.	SI(D7)	Write Only	SCL (D6)
PS1	PS0	Interface	Chip Select	Data/ Command	Data	Read/ Write	Serial Clock																											
"H"	-	Parallel	$\overline{\text{CS}}$	A0	$\overline{\text{RD}}$ $\overline{\text{WR}}$	Write Only	-																											
"L"	"H"	Serial 4-wire	$\overline{\text{CS}}$	A0	SI(D7)	Write Only	SCL (D6)																											
	"L"	Serial 3-wire	$\overline{\text{CS}}$	The 17th data of serial data is recognized as A0.	SI(D7)	Write Only	SCL (D6)																											
10 11	OSC1 OSC2	I/O	System clock input terminal for Maker testing. (This terminal should be Open) For external clock operation, the clock should be input to OSC1 terminal.																															

No	Symbol	I/O	Function																				
50 to 209	C0 to C159	O	<p>LCD driving signal output terminal.</p> <ul style="list-style-type: none"> •Common output terminal :C0 to C159 •Segment output terminal :S0 to S131 <p>•Segment output terminal</p> <p>The following output voltage are selected by the combination of FR and data in the RAM.</p> <table border="1"> <thead> <tr> <th rowspan="2">RAM Data</th> <th rowspan="2">Alternating Signal</th> <th colspan="2">Sn OutPut Voltage</th> </tr> <tr> <th>Disp. Positive</th> <th>Disp. Negative</th> </tr> </thead> <tbody> <tr> <td rowspan="2">H</td> <td>H</td> <td>VDD</td> <td>V2</td> </tr> <tr> <td>L</td> <td>V5</td> <td>V3</td> </tr> <tr> <td rowspan="2">L</td> <td>H</td> <td>V2</td> <td>VDD</td> </tr> <tr> <td>L</td> <td>V3</td> <td>V5</td> </tr> </tbody> </table>	RAM Data	Alternating Signal	Sn OutPut Voltage		Disp. Positive	Disp. Negative	H	H	VDD	V2	L	V5	V3	L	H	V2	VDD	L	V3	V5
RAM Data	Alternating Signal		Sn OutPut Voltage																				
		Disp. Positive	Disp. Negative																				
H	H	VDD	V2																				
	L	V5	V3																				
L	H	V2	VDD																				
	L	V3	V5																				
341 to 210	S0 to S131		<p>•Common output terminal</p> <p>The following output voltage are selected by the combination of FR and status of common.</p> <table border="1"> <thead> <tr> <th>Scan Data</th> <th>Alternating Signal</th> <th>COn Output Voltage</th> </tr> </thead> <tbody> <tr> <td rowspan="2">H</td> <td>H</td> <td>V5</td> </tr> <tr> <td>L</td> <td>VDD</td> </tr> <tr> <td rowspan="2">L</td> <td>H</td> <td>V1</td> </tr> <tr> <td>L</td> <td>V4</td> </tr> </tbody> </table>	Scan Data	Alternating Signal	COn Output Voltage	H	H	V5	L	VDD	L	H	V1	L	V4							
Scan Data	Alternating Signal	COn Output Voltage																					
H	H	V5																					
	L	VDD																					
L	H	V1																					
	L	V4																					

Functional Description

(1)Description for each blocks

1-1) Busy Flag (BF)

As for NJU6682, in case of the inner operation, busy flag (BF) doesn't accept an instruction except of "1". In the status reed instruction, a busy flag is output by the D7 terminal. If cycle time (tcyc) is secured, to check this flag in front of the instruction isn't necessary and the throughput of the CPU can be substantially improved.

1-2) X-Address Counter

The X-address counter is the 6 bit presettable counter which gives an address for the row of the display data RAM as shown in figure 1 and is done in +1 increment by the execution of the display data read / write instruction. But, when the X-address counter reaches the maximum of the exist address, the count locks by the X-address counter. With to set X-address once again, as for the count lock of cancellation again this counter is independent with Y-address register.

By the address inverse instruction(ADC), it is possible for X-address decoder to reverse correspondence relation between X-address and segment output of display data RAM.

1-3)Z-Address counter

The Y-address counter generates an address to the display RAM direction of the line, it is reset when the inner FR signal switching timing and count up synchronizes with common cycle of NJU6682.

1-4)Y-Address Register

Y-address register is which gives an address to the display data RAM direction of the line as shown in figure 1. When replacing Y-address from the CPU and accessing to them, it does by the instruction of the set of Y-address.

1-5)Z-Address Register

Z-address register can be generally used for the scrolling of a screen, in addition to the display with the register which sets the low address of the data RAM which corresponds to the display line (being the best line generally) of COM0. It sets a display beginning line by setting the display beginning address of 9 bits in this register by the instruction of the set of Z-address.

1-6)Display data RAM

Display data RAM is the bit map RAM which stores the data for the display which corresponds to the LCD pixel and is composed of 84,480 bits. Each bit of the display data RAM corresponds to 2:1 in case of gray scale display to each pixel of LCD and in case of Black and White display, it corresponds to 1:1. The relation between the display data and the LCD in case of gray scale display is as follows.

The relation between Display data and LCD in Gray Scale Display

The Display RAM data : "00" = Gray Scale Level 0 (setting by the gray scale level select)	("	00	"	=	Gray Scale Level 0	(setting by the gray scale level select)
The Display RAM data : "01" = Gray Scale Level 1 ("	01	"	=	Gray Scale Level 1	("	01	"
The Display RAM data : "10" = Gray Scale Level 2 ("	10	"	=	Gray Scale Level 2	("	10	"
The Display RAM data : "11" = Gray Scale Level 3 ("	11	"	=	Gray Scale Level 3	("	11	"

The relation between Display data and LCD in Black and White Display

In Positive Display : "1"=Turn-On Display,"0" =Turn-Off Display
 In Negative Display: "1"=Turn-Off Display,"0" =Turn-On Display

When the Display method chooses 16 bit access by the gray scale display, because RAM area of X-address = 16 become 8 bits, lower 8bit (D7-D0) is ignored (Figure 1-1). When the display method chooses 16 bit access by the Black and White display, as for RAM area of X-address = 8 (Layer0) or 40 (Layer1) becomes 4-bits, lower 12 bit (D11-D0) is ignored. The bus with in access to the Display Data RAM is 8-bit access and 16-bit access with the 8-bit / 16-bit Bus Select instruction. The access can be chosen.

Correspondence with Display Data RAM Address (in black & white mode)

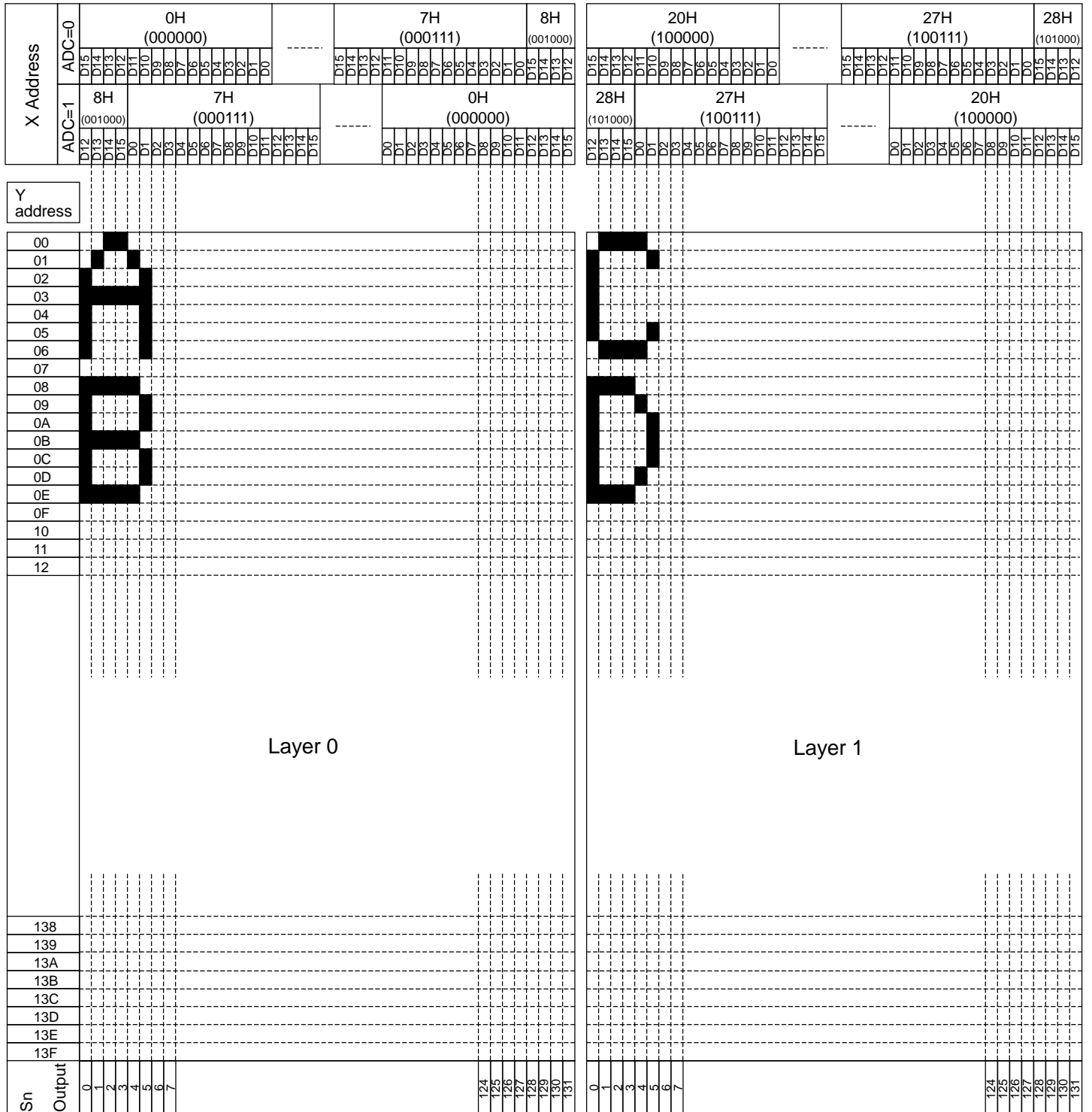


Fig.1-1

1-7)Output Assignment Register

This circuit can choose the direction of the scan of the common output.

Table1

Common Output Terminal	
PAD No.	50 209
Terminal Name	C0 C159
Ver. A	COM0 ▶ COM159
Ver. B	COM159 ◀ COM0

•Able to be changed with the mask option of it by the choice (version A or B) to the common scan direction.

1-8)Reset Circuit

This reset circuit does following initialization when the RES input becomes "L" level.

- The initialization condition (The default setting)
- 1.It sets a display method in the 4 Gray Scale Display Mode.
- 2.Display Off
- 3.Display Positive
- 4.ADC select ; Positive
- 5.Read Modify Write
- 6.Voltage Booster off, Voltage Regulator off, Voltage follower off
- 7.Static Drive off
- 8.Driver output off
- 9.Clear the register data of serial interface
- 10.Set the X-address counter to (00)h
- 11.Set the Y-Address register to (00)h
- 12.Set the Z-Address at (00)h
- 13.The continuous RAM address(Variable RAM Mapping Mode)
- 14.Set the EVR register to (FF)h
- 15.Set the Duty 1/160 (Whole Display On)
- 16.Bias select D3,2,1,0="1,0,1,0" (1/14 Bias)
- 17.Voltage Booster Select D2,1,0,="1,0,1" ((7 times)
- 18.Set n-line inverting register to (0)h
- 19.Set to 8 Bit bus interface mode

To be in " the MPU interface (the reference example) ", the RES terminal make connect with the reset terminal of the MPU and does at the same time as a MPU is initialized. The reset signal must put "L" pulse above minimum 10us to be in the clause of " the DC characteristic ". The RES signal becomes an operation condition generally after 1us from the rise-up edge.

When not using a built-in LCD power supply circuit in NJU6682, in case of the outside liquid crystal power supply turning on, it is necessary to be RES="L". It clears each register by RES="L" and it is set in the above initialization condition but it doesn't have an influence about the oscillation circuit and output terminal (D0-D15).

When initialization by the RES terminal isn't accomplished in power supply impressing, it sometimes enters the condition about which it is impossible to cancel.

When using a reset instruction, 9 - 19 of the above initialization are executed.

1-9)The LCD drive circuit system

1-9-1)The LCD drive circuit

The common output has a shift register and it forwards a common scan signal in order. It outputs liquid crystal drive voltage in the combination of the display data, the common scan signal, the inner FR signal, the liquid crystal flowing mutually signal. A segment, common output corrugated example are shown in figure 2.

1-9-2)Display Data Latch-Circuit

The display data latch circuit is the latch which stores the display data of 132 x 2 bits which are addressed by the Z-address counter and are output from the display data RAM to the LCD drive circuit every 1 common 1 period temporarily. Data in the display data RAM is changed and not held because display turn to Positive / Negative (In case of Black & White display),displaying on / off, Static Drive On / Off instructions are controls data in this latch circuit.

1-9-3)Gray Scale / Black & White Control Circuit

A Gray Scale control circuit chooses the gray scale level which was set by the command instruction from the gray scale data of 264 bits which latched with the display data latch circuit and is output for LCD drive output Sn. A Black & White display control circuit chooses layer which was set by the command instruction from the 264 bit Black & White data which latched with the display data latch circuit and is output for LCD drive output Sn.

1-9-4)Z-Counter, Signal Genelate of Display Data Latch Circuit

It generates a latch signal to the clock(CL) to Z-counter and to the display data latch circuit. It synchronizes with the internal display clock and the line address of the display data RAM occurs, and the display data of 132 x 2 bits synchronizes with the display clock, latches by the display data latch circuit and is output by the gray scale control / Black & White display control circuit. The read out to the display data LCD drive circuit is independent totally with the access to the display data RAM from the CPU.

1-9-5)Display Timing Genelate Circuit

The display timing occurrence circuit generates the internal timing of the display system by the master clock and the internal FR signal. As for it, the internal FR signal and the LCD flowing mutually signal make the drive corrugation of the 2 frame alternating current drive or the n-line inverting drive method occur to the LCD Driving circuit.

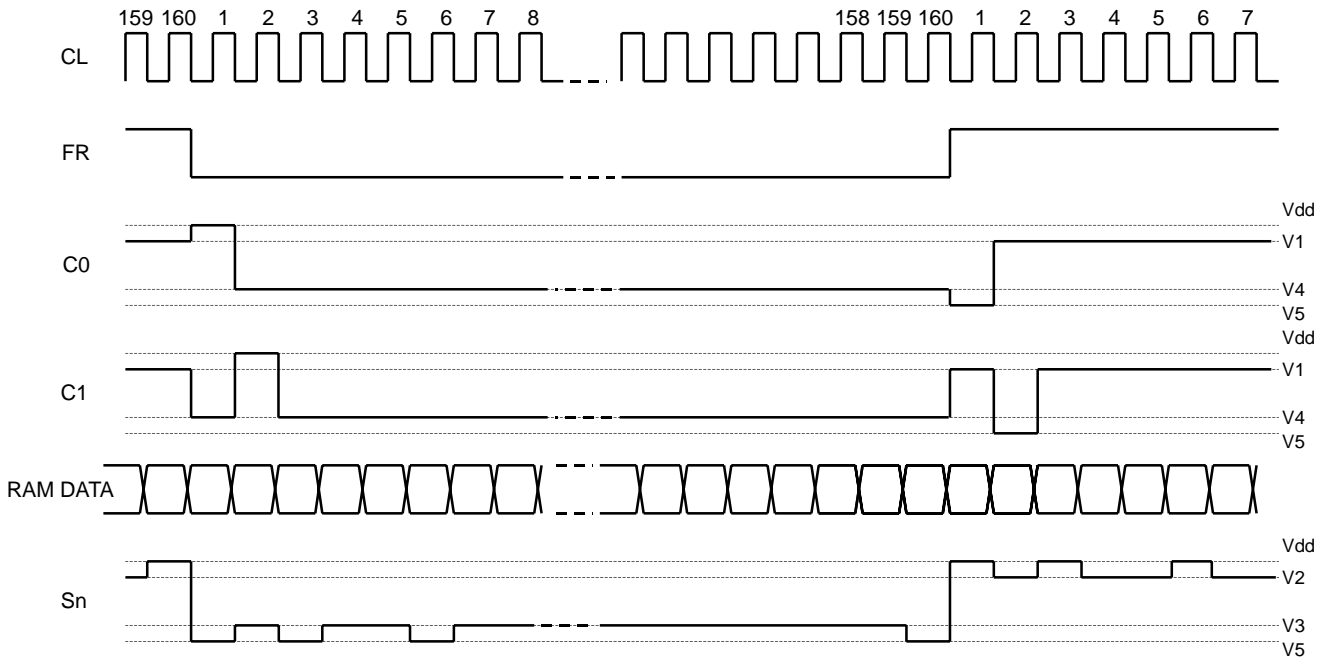
1-9-6)FRC / PWM Control Circuit

PWM & FRC(Frame Rate Control) to realize 4Gray Scale display function.

1-9-7) Common Timing Generation

The common timing is generated by display clock CL (refer to Fig.)

① 2 frame alternating current drive mode



② n-line inverting drive mode

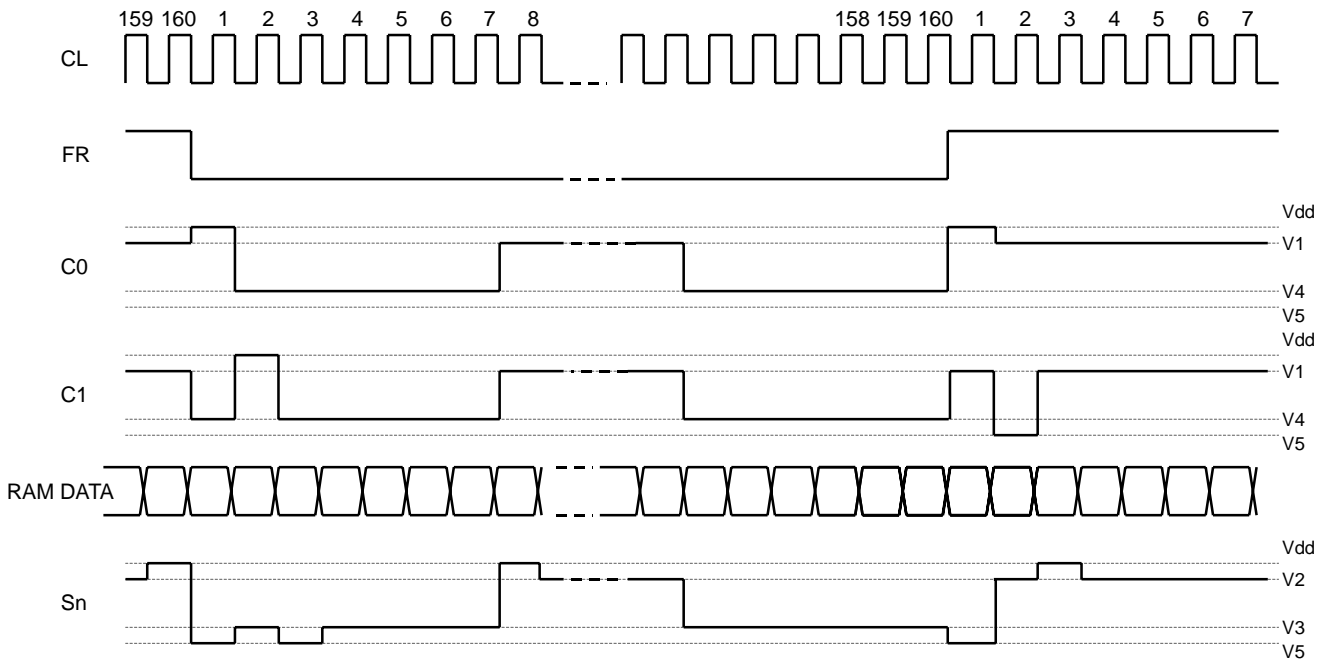


Fig.2 Waveform of Display Timing

1-9-8)Oscillation Circuits

The Oscillation Circuit is a low power CR oscillator incorporating with a Resistor and a Capacitor. it generates clocks for display timing signal source and the clock for step up circuits for LCD driving. The oscillation circuit output frequency is divided as display clock CL.

Table 3

Duty	1/4	1/8	1/12	1/16	1/20	1/24	1/28	1/32	1/36	1/40	1/44, 1/48	1/52, 1/56
Divide	1/1200	1/600	1/400	1/300	1/240	1/200	1/170	1/150	1/135	1/120	1/105	1/90

Duty	1/60, 1/64, 1/68	1/72, 1/76, 1/80, 1/84, 1/88	1/92, 1/96, 1/100, 1/104, 1/108, 1/112, 1/116, 1/120
Divide	1/75	1/60	1/45

Duty	1/124, 1/128, 1/132, 1/136, 1/140, 1/144, 1/148, 1/152, 1/156, 1/160
Divide	1/30

1-9-9)Power Supply Circuits

Internal Power Supply Circuit generates voltage for LCD driving. The power supply circuits consists of Step Up Circuits (2 times to 7 times), Regulator Circuits, and Voltage Followers. The internal Power Supply is designed for small size LCD panel, therefore it is not suitable for the large size LCD panel application, please supply the external.

The suitable value of the capacitors connecting to the V1 to V5 terminals and the step up circuit, and the feedback resistors for V5 operational amplifier depend on the LCD panel. And the power consumption with the LCD panel is depending on the display pattern. Please evaluate with actual LCD module.

The operation of Internal Power Supply Circuits is controlled by the Internal Power Supply Control Instruction.

(R / W)

A0	RD	WR	D15	D14	D13	D12	D11	D10	D9	D8	D7	D6	D5	D4	D3	D2	D1	D0
0	1	0	0	0	0	1	0	0	0	1	*	*	*	*	*	DC	VR	VF

*:Don't Care

DC : Step Up Circuit

DC=1 : Step Up Circuit ON

DC=0 : Step Up Circuit OFF (In this time, terminals C1+,C1-,C2+,C2-,C3-,C4-,C5- and C6- should be open, and VOUT should be supplied from outside.)

VR : Regulator Circuit

VR=1 : Regulator Circuit ON

VR=0 : Regulator Circuit OFF (In this time, terminal VR should be open, and V5 should be supplied from outside.)

VF : Voltage Follower

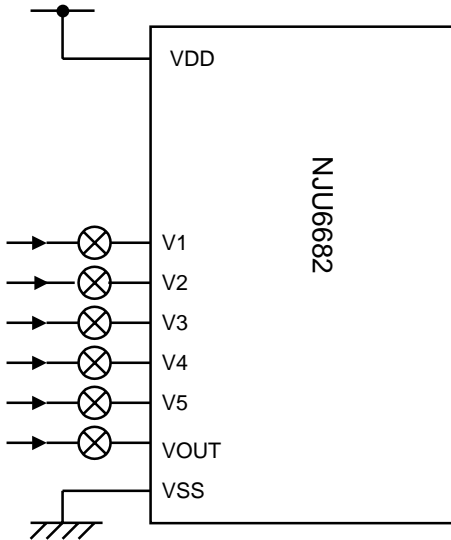
VR=1 : Voltage Follower ON

VR=0 : Voltage Follower OFF (In this time, terminals V1 to V5 should be supplied from outside.)

Examples for application circuits of the internal Power Supply

①None of the internal power supply functions

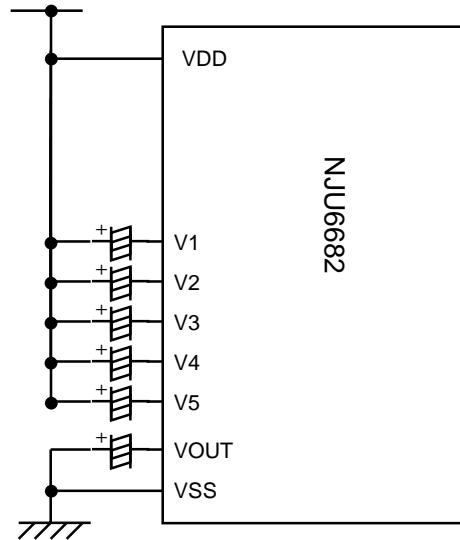
$$(DC,VR,VF) = (0, 0, 0)$$



②All of the internal power supply functions.

(Step Up, Voltage Regulator, Voltage Follower)

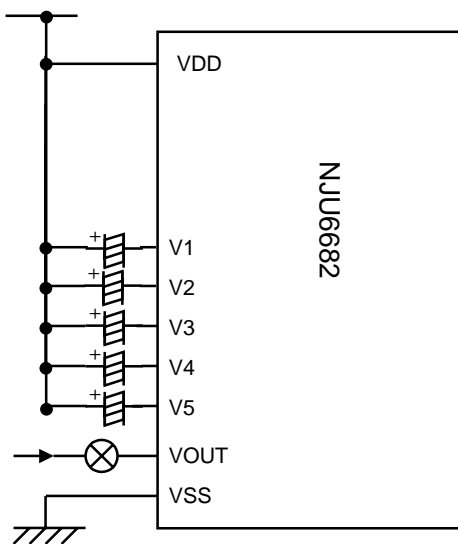
$$(DC,VR,VF) = (1, 1, 1)$$



③Some of the internal power supply functions

(Voltage Regulator, Voltage Follower)

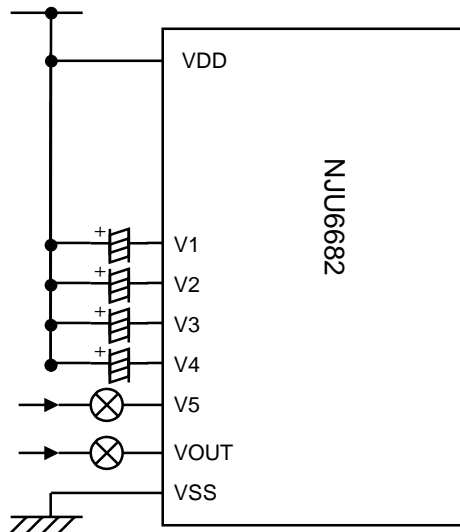
$$(DC,VR,VF) = (0, 1, 1)$$




④Some of the internal power supply functions.

(Voltage Follower)

$$(DC,VR,VF) = (0, 0, 1)$$



(Caution)  : These switches should be open during the power save mode.

(2) Instruction

The NJU6682 distinguishes the signal on the data bus D0 to D15 by combination of A0, \overline{RD} , and \overline{WR} (R/W). The decode of the instruction and execution performs only depending on the internal timing only neither the external clock. In case of serial interface, the data input as MSB first serially.

The table.4 shows the instruction codes of the NJU6682.

Table.4

Instruction		Code																Description				
		A0	RD	WR	D15	D14	D13	D12	D11	D10	D9	D8	D7	D6	D5	D4	D3		D2	D1	D0	
(1)	Display ON/OFF	0	1	0	0	0	0	0	0	0	0	0	*					0	1	LCD Display ON/OFF D0=0:OFF, D0=1:ON		
(2)	Z Address Set	0	1	0	0	0	1	0	1	0	1	Line Address										Determine the Line Address of RAM to the COM0.
(3)	X Address Set	0	1	0	0	0	1	0	0	0	0	0	*	*	X Address						Determine the X Address of Display RAM.	
(4)	Y Address Set	0	1	0	0	0	1	0	1	0	0	Y Address										Determine the Y Address of Display RAM.
(5)	Status Read	0	0	1	Status						0	0	Status				0	0			Read out the internal status.	
(6)	Write Display Data	1	1	0	Write Data																Write the data into the Display Data RAM	
(7)	Read Display Data	1	0	1	Read Data																Read the data from the Display Data RAM	
(8)	Normal or Inverse of ON/OFF	0	1	0	0	0	0	0	0	0	0	1	*					0	1	Inverse the ON and OFF Display D0=0:Normal D0=1:Inverse		
(9)	Static Drive ON/OFF	0	1	0	0	0	0	0	0	0	1	0	*					0	1	Whole Display Turns ON D0=0:Normal D0=1:Whole Display ON		
(10)	Partial Display	0	1	0	0	0	1	1	0	0	0	0	*	Start Unit of 1st Block						Set the Display Start Unit of Block 1		
		0	1	0	0	0	1	1	0	0	0	1	*	Display Unit Number of 1st Block						Set the Display Unit Number of Block 1		
		0	1	0	0	0	1	1	0	0	1	0	*	Start Unit of 2nd Block						Set the Display Start Unit of Block 2		
		0	1	0	0	0	1	1	0	0	1	1	*	Display Unit Number of 2nd Block						Set the Display Unit Number of Block 2		
		0	1	0	0	0	1	1	0	1	0	0	*				0			Display the Status		
(11)	n-Line Inverse Resister Set	0	1	0	0	0	0	0	0	0	1	1	*	The Number of Inverse Line						Set the number of inverse line		
(12)	EVR Resister Set	0	1	0	0	0	0	0	1	0	0	0	EVR Resister Data								Set the V5 output level to the EVR resister	
(13)	Variable RAM Mapping Mode	0	1	0	0	1	0	0	0	0	0	Y Address of Display Block 1								Set Y address of Display block 1		
		0	1	0	0	1	0	0	0	0	1	0	*	Line Number of Block 1						Set the line number of Display block 1		
		0	1	0	0	1	0	0	0	1	0	Y Address of Display Block 2								Set Y address of Display block 2		
		0	1	0	0	1	0	0	0	1	1	0	*	Line Number of Block 2						Set the line number of Display block 2		
		0	1	0	0	1	0	0	1	0	0	Y Address of Display Block 3								Set Y address of Display block 3		
		0	1	0	0	1	0	0	1	0	1	0	*	Line Number of Block 3						Set the line number of Display block 3		
		0	1	0	0	1	0	0	1	1	0	Y Address of Display Block 4								Set Y address of Display block 4		
		0	1	0	0	1	0	0	1	1	1	0	*	Line Number of Block 4						Set the line number of Display block 4		
		0	1	0	0	1	0	1	0	0	0	Y Address of Display Block 5								Set Y address of Display block 5		
		0	1	0	0	1	0	1	0	0	1	0	*	Line Number of Block 5						Set the line number of Display block 5		
		0	1	0	0	1	0	1	0	1	0	Y Address of Display Block 6								Set Y address of Display block 6		
		0	1	0	0	1	0	1	0	1	1	0	*	Line Number of Block 6						Set the line number of Display block 6		
		0	1	0	0	1	0	1	1	0	0	Y Address of Display Block 7								Set Y address of Display block 7		
		0	1	0	0	1	0	1	1	0	1	0	*	Line Number of Block 7						Set the line number of Display block 7		
		0	1	0	0	1	0	1	1	1	0	Y Address of Display Block 8								Set Y address of Display block 8		
		0	1	0	0	1	0	1	1	1	1	0	*	Line Number of Block 8						Set the line number of Display block 8		
				0	1	0	0	1	1	0	0	0	0	*					0	1	Variable RAM Mapping Mode D0=0:ON D0=1:OFF	

Instruction		Code																		Description				
		A0	RD	WR	D15	D14	D13	D12	D11	D10	D9	D8	D7	D6	D5	D4	D3	D2	D1		D0			
(14)	Select Gray Scale Level	0	1	0	0	1	1	1	0	0	0	0	PWM Data (Frame No.1)			PWM Data (Frame No.2)			Gray Scale Level 0:Set the PWM Data of Frame No.1 and No.2					
		0	1	0	0	1	1	1	0	0	0	1	PWM Data (Frame No.3)			PWM Data (Frame No.4)			Gray Scale Level 0:Set the PWM Data of Frame No.3 and No.4					
		0	1	0	0	1	1	1	0	0	1	0	PWM Data (Frame No.1)			PWM Data (Frame No.2)			Gray Scale Level 1:Set the PWM Data of Frame No.1 and No.2					
		0	1	0	0	1	1	1	0	0	1	1	PWM Data (Frame No.3)			PWM Data (Frame No.4)			Gray Scale Level 1:Set the PWM Data of Frame No.3 and No.4					
		0	1	0	0	1	1	1	0	1	0	0	PWM Data (Frame No.1)			PWM Data (Frame No.2)			Gray Scale Level 2:Set the PWM Data of Frame No.1 and No.2					
		0	1	0	0	1	1	1	0	1	0	1	PWM Data (Frame No.3)			PWM Data (Frame No.4)			Gray Scale Level 2:Set the PWM Data of Frame No.3 and No.4					
		0	1	0	0	1	1	1	0	1	1	0	PWM Data (Frame No.1)			PWM Data (Frame No.2)			Gray Scale Level 3:Set the PWM Data of Frame No.1 and No.2					
		0	1	0	0	1	1	1	0	1	1	1	PWM Data (Frame No.3)			PWM Data (Frame No.4)			Gray Scale Level 3:Set the PWM Data of Frame No.3 and No.4					
(15)	Bias Select	0	1	0	0	0	0	0	1	0	0	1	*			Bias			Select Bias (11 types)					
(16)	Voltage Converter Multiple Select	0	1	0	0	0	0	0	1	0	1	0	*			Boost Multiple			Set the Boost Multiple :2 to 7 times					
(17)	Read Modify Write /End	0	1	0	0	0	0	1	0	0	0	0	*						0	1	Increase X Address Counter +1 when writing but no-change when reading D0=0:ON D0=1:END			
(18)	Reset	0	1	0	0	0	0	1	0	0	0	1	*						1			Initialize the internal circuits		
(19)	Internal Power Supply	0	1	0	0	0	0	1	0	0	1	0	*						DC	VR	VF	DC=1:Voltage converter ON DC=0:Voltage converter OFF VR=1:Voltage Regurator ON VR=0:Voltage Regurator OFF VF=1:Voltage Follower ON VF=0:Voltage Follower OFF		
(20)	Driver Outputs ON/OFF	0	1	0	0	0	0	1	0	0	1	1	*						0	1	Set LCD driver outputs after the internal(external) power supply ON D0=0:Driver Outouts OFF D0=1:Driver Outputs ON			
(21)	Powehr Save (dual command)	0	1	0	0	0	0	0	0	0	0	0	*						0	1	Set the Power Save mode (Reverse input sequence is possible)			
(22)	ADC Select	0	1	0	0	0	0	1	1	0	0	0	*						0	1	Output the Disp. RAM address Sn D0=0:Normal D0=1:Reverse			
(23)	Display Mode Select	0	1	0	0	0	0	1	1	0	0	1	*						GS	L1	L0	Set Display mode GB=1:Gray scale mode GB=0:Black and white mode L1=1:Select layer 1 L1=0:Not select layer 1 L0=1:select layer 0 L0=0:Not select layer 0		
(24)	8-bit/16-bit Bus Select	0	1	0	0	0	0	1	1	0	1	1	*						D8=0:Set 8-bit interface bus D8=1:Set 16-bit interface bus					

(* : Don't care)

(3)Explanation of Instruction Code

3-1)Display ON/OFF

This instruction executes whole display ON/OFF without relationship of the data in the Display Data RAM and internal conditions.

(R/W)

A0	RD	WR	D15	D14	D13	D12	D11	D10	D9	D8	D7	D6	D5	D4	D3	D2	D1	D0
0	1	0	0	0	0	0	0	0	0	0	*	*	*	*	*	*	*	D

* : Don't Care

D=0:Display OFF

D=1:Display ON

3-2)Z Address Set

This instruction sets the line address of Display Data RAM which correspond to COM0 terminal (Normally, it means the most upper line of the display). The display area is only the number of lines which is equivalent to display duty in the increasing direction from the line address is automatically.

At that time, the data of Display Data RAM isn't changed at all. When the RAM mapping is set to Variable RAM Mapping Mode, the status of Variable RAM Mapping takes priority over this instruction. Therefore, the status of this Z Address Set instruction will be unavailable.

(R/W)

A0	RD	WR	D15	D14	D13	D12	D11	D10	D9	D8	D7	D6	D5	D4	D3	D2	D1	D0
0	1	0	0	0	1	0	1	0	1	A8	A7	A6	A5	A4	A3	A2	A1	A0

R/W

A8	A7	A6	A5	A4	A3	A2	A1	A0	Z Address (HEX)
0	0	0	0	0	0	0	0	0	0
0	0	0	0	0	0	0	0	1	1
				⋮					⋮
				⋮					⋮
				⋮					⋮
1	0	0	1	1	1	1	1	0	13E
1	0	0	1	1	1	1	1	1	13F

3-3)X Address Set

In the case of access to the Display Data RAM from MPU side, it is needed that to set the X Address which correspond to Column Address by using of this X Address Set instruction, before data writing. The access to the Display Data RAM is possible by set of both X Address and Y Address. There is no influence to the Display with changing the Y Address.

The area of X Address is depended on the Display mode. In gray scale mode, it is from 00H to 10H. In black and white mode, it is from 00H to 08H(layer 0), and from 20H to 28H(layer 1). When Address is set unlike listed above, the Address will be invalid.

When MPU accesses to the Display Data RAM continuously, X Address is increased +1 from initial X Address every time RAM is accessed. Therefore, the MPU can access the only Data continuously without resetting of X Address.

The increment of X Address is stopped automatically at the point of the maximum value of X Address which is due to each mode +1.

At that time, Y Address isn't changed at all.

(R/W)

A0	RD	WR	D15	D14	D13	D12	D11	D10	D9	D8	D7	D6	D5	D4	D3	D2	D1	D0
0	1	0	0	0	1	0	0	0	0	0	*	*	A5	A4	A3	A2	A1	A0

* : Don't Care

A5 A4 A3 A2 A1 A0	X Address		
	Gray Scale Mode	Black & White Mode	
0 0 0 0 0 0	0	Layer 0	
0 0 0 0 0 1	1		
0 0 0 0 1 0	2		
⋮	⋮		
0 0 1 0 0 0	⋮		
⋮	⋮		
0 0 1 1 1 0	14		
0 0 1 1 1 1	15		
0 1 0 0 0 0	16	Address Set is Invalid	
⋮			
⋮			
⋮			
1 0 0 0 0 0	Address Set is Invalid		Layer 1
1 0 0 0 0 1			
⋮			
⋮			
1 0 0 1 1 1			
1 0 1 0 0 0			
⋮			
⋮			
		Address Set is Invalid	

3-4)Y Address Set

In case of access to the Display Data RAM from MPU side, it is needed that to set the Low Address by using of this Y Address Set instruction, in addition to the using of 3-3) the X Address Set instruction is already described, before data writing.

(R/W)

A0	RD	WR	D15	D14	D13	D12	D11	D10	D9	D8	D7	D6	D5	D4	D3	D2	D1	D0
0	1	0	0	0	1	0	1	0	0	A8	A7	A6	A5	A4	A3	A2	A1	A0

A8	A7	A6	A5	A4	A3	A2	A1	A0	Y Address(HEX)
0	0	0	0	0	0	0	0	0	0
0	0	0	0	0	0	0	0	1	1
				⋮					⋮
				⋮					⋮
1	0	0	1	1	1	1	1	0	13E
1	0	0	1	1	1	1	1	1	13F

7-5)Status Read

This instruction reads out the internal status of "BUSY", "ADC", "ON/OFF", "RESET", "GB" and "LY" are described below. When the external bus is set to 8-bit mode, this Status Read instruction will finish in 1 cycle.

(R/W)

A0	RD	WR	D15	D14	D13	D12	D11	D10	D9	D8	D7	D6	D5	D4	D3	D2	D1	D0
0	0	1	BUSY	ADC	ON/OFF	RESET	GB	LY1	LY0	0	BUSY	ADC	ON/OFF	RESET	GB	LY1	LY0	0

- BUSY** :BUSY=1 indicates the operating or the Reset cycle.
This instruction can be input after the BUSY status change to "0".
- ADC** :Indicates the output correspondence of X Address(Segment Address) and Segment Driver.
0:Counterclockwise output (Inverse)
1:Clockwise output (Normal)
(Note)The data "0=Inverse" and "1=Normal" of ADC is inverted with the ADC Select instruction of "1=Inverse" and "0=Normal".
- ON/OFF** :Indicates the whole display ON/OFF status.
0:Whole Display "ON"
1:Whole Display "OFF"
(Note)The data "0=ON" and "1=OFF" of Display ON/OFF status read out is inverted with the Display ON/OFF instruction data of "1=ON" and "0=OFF".
- RESET** :Indicates the initializing period by RES signal or Reset instruction.
0:Without Reset status
1:In the Reset status
- GB** :Indicates the current Display Mode.
0:Black & White Mode
1:Gray Scale Mode
- LY1** :Indicates the status of Layer 1 when the Display Mode is set to Black & White Mode.
0:Layer 1 isn't selected
1:Layer 1 is selected
- LY0** :Indicates the status of Layer 0 when the Display Mode is set to Black & White Mode.
0:Layer 0 isn't selected
1:Layer 0 is selected

3-6)Write Display Data

This instruction writes the data on the data bus into the Display Data RAM. The X Address increases automatically after data writing, therefore, the MPU can write the data into the Display Data RAM continuously without any address setting after the start address setting.

(R/W)

A0	RD	WR	D15	D14	D13	D12	D11	D10	D9	D8	D7	D6	D5	D4	D3	D2	D1	D0
1	1	0	D15	D14	D13	D12	D11	D10	D9	D8	D7	D6	D5	D4	D3	D2	D1	D0

D15-D0:Write Data

3-7)Read Display Data

This instruction reads out the 16-bit data from Display Data RAM which addressed by the X Address and Y Address. The X Address increase "+1" automatically after 16-bit data reading out, therefore, the MPU can read out the 16-bit data from Display Data RAM continuously without any address setting after the start address setting. The one time of dummy read must operate after X Address set as the explanation in "(5-4) Access to the Display Data RAM and internal Resister". In the serial interface mode, the display data is not read out.

(R/W)

A0	RD	WR	D15	D14	D13	D12	D11	D10	D9	D8	D7	D6	D5	D4	D3	D2	D1	D0
1	0	1	D15	D14	D13	D12	D11	D10	D9	D8	D7	D6	D5	D4	D3	D2	D1	D0

D15-D0:Read Data

3-8)Normal or Inverse ON/OFF Set

This instruction changes the condition of display turn ON and OFF as normal or inverse. The contents of Display Data RAM is not changed by this instruction execution.

(R/W)

A0	RD	WR	D15	D14	D13	D12	D11	D10	D9	D8	D7	D6	D5	D4	D3	D2	D1	D0
0	1	0	0	0	0	0	0	0	0	1	*	*	*	*	*	*	*	D

*:Don't Care

Black & White Mode:

D	RAM="1"	RAM="0"
0(Normal)	LCD ON	LCD OFF
1(Inverse)	LCD OFF	LCD ON

Gray Scale Mode:

D	RAM="00"	RAM="01"	RAM="10"	RAM="11"
0(Normal)	Gray Scale Level 0	Gray Scale Level 1	Gray Scale Level 2	Gray Scale Level 3
1(Inverse)	Gray Scale Level 3	Gray Scale Level 2	Gray Scale Level 1	Gray Scale Level 0

3-9)Static Drive ON/OFF

This instruction turns ON the all pixels independent of the contents of the Display Data RAM. At this time, the contents of Display Data RAM is not changed and kept. This instruction takes precedence over the "Normal or Inverse ON/OFF Set" Instruction.

(R/W)

A0	RD	WR	D15	D14	D13	D12	D11	D10	D9	D8	D7	D6	D5	D4	D3	D2	D1	D0
0	1	0	0	0	0	0	0	0	1	0	*	*	*	*	*	*	*	D

* : Don't Care

D=0:Normal Display

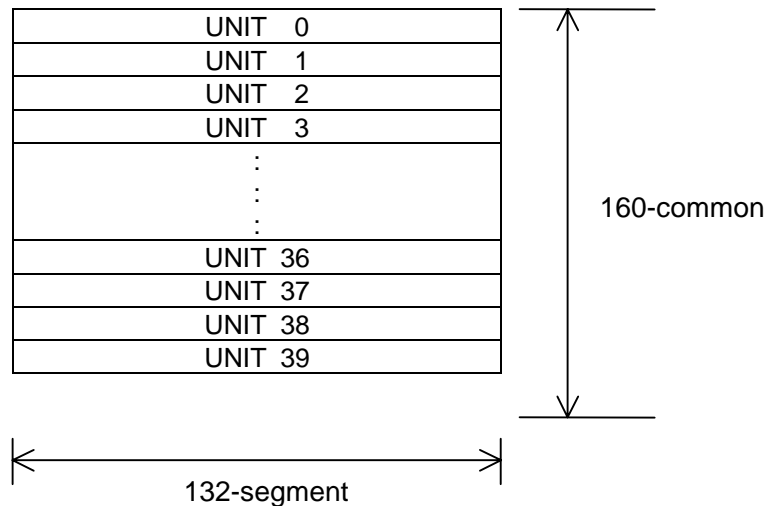
D=1:Whole Display Turns ON

If this Static Drive ON/OFF instruction is executed when Display OFF status, the NJU6682 will be in Power Save Mode. The details about this Power Save Mode is described in it's own section.

3-10)Partial Display

This instruction divides display area into 40 unit with 4-common each, then display these required area which is selected. Therefore, the duty will be low automatically, so that LCD driving voltage will be low. So, it is suitable when low operating power is required.

•Display Unit Construction



When executing the Partial Display function, at first, it must be defined both the Top Unit Number of display area (the Start Unit) and the number of the effective unit start from the Start Unit. And it is possible to set these definition as two blocks. If setting the Start Unit of the 1st Block as "0" (0,0,0,0), and then if setting the Display Unit Number as "40" (1,0,1,0,0,0), it means that to define the all unit of the Display, it becomes that all Display ON (1/160 Duty), and the definition of the 2nd Block will be invalid. And when Partial Display instruction is executed, the duty is changed to optimum condition automatically, but LCD Driving Voltage and Bias Voltage aren't changed at all. Therefore, before execution of Partial Display instruction, "Driver Output OFF" instruction must be done, then execute the instruction Bias Set, Voltage Converter Multiple Select, and EVR Resistor Set to reset each status with execution of this Partial Display instruction.

- (Notes)
- The Start Unit of the 1st Block must be less than the Start Unit of the 2nd Block.
 - Don't overlap the 1st Block and the 2nd Block.
 - The Start Unit of the 1st Block must not be more than 39.
 - The all Display Unit Number (the sum of the 1st Block Unit Number and the 2nd Block Unit Number) must not be more than 39.
 - According to a setting, the area is made from the 1st Block to the 2nd Block may be empty, but the Y Address of the Display RAM is continuous.

(1) Set the Start Unit of the 1st Block

(R/W)

A0	RD	WR	D15	D14	D13	D12	D11	D10	D9	D8	D7	D6	D5	D4	D3	D2	D1	D0
0	1	0	0	0	1	1	0	0	0	0	*	*	D5	D4	D3	D2	D1	D0

(2) Set the Display Unit Number of the 1st Block

(R/W)

A0	RD	WR	D15	D14	D13	D12	D11	D10	D9	D8	D7	D6	D5	D4	D3	D2	D1	D0
0	1	0	0	0	1	1	0	0	0	1	*	*	D5	D4	D3	D2	D1	D0

(3) Set the Start Unit of the 2nd Block

(R/W)

A0	RD	WR	D15	D14	D13	D12	D11	D10	D9	D8	D7	D6	D5	D4	D3	D2	D1	D0
0	1	0	0	0	1	1	0	0	1	0	*	*	D5	D4	D3	D2	D1	D0

(4) Set the Display Unit Number of the 2nd Block

(R/W)

A0	RD	WR	D15	D14	D13	D12	D11	D10	D9	D8	D7	D6	D5	D4	D3	D2	D1	D0
0	1	0	0	0	1	1	0	0	1	1	*	*	D5	D4	D3	D2	D1	D0

* : Don't Care

D5 to D0 : The Start Unit, or the Display Unit Number

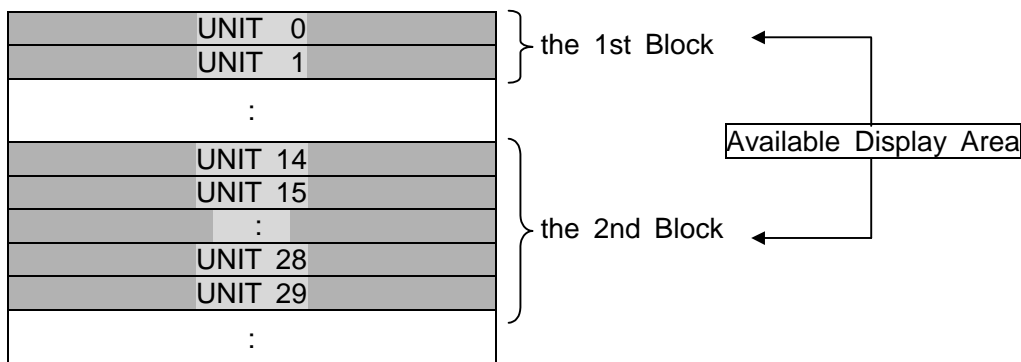
Finally, by execution of the command below, it will be changed into the status of the Display have already been defined, and it will be changed into the optimum Duty Ratio.

(R/W)

A0	RD	WR	D15	D14	D13	D12	D11	D10	D9	D8	D7	D6	D5	D4	D3	D2	D1	D0
0	1	0	0	0	1	1	0	1	0	0	*	*	*	*	*	*	*	0

* : Don't Care

The example and the method of Partial Display are listed below.



(1) Set the Start Unit of the 1st Block "0".

(R/W)

A0	RD	WR	D15	D14	D13	D12	D11	D10	D9	D8	D7	D6	D5	D4	D3	D2	D1	D0
0	1	0	0	0	1	1	0	0	0	0	0	0	0	0	0	0	0	0

(2) Set the Display Unit Number of the 1st Block "2".

(R/W)

A0	RD	WR	D15	D14	D13	D12	D11	D10	D9	D8	D7	D6	D5	D4	D3	D2	D1	D0
0	1	0	0	0	1	1	0	0	0	1	0	0	0	0	0	0	1	0

(3) Set the Start Unit of the 2nd Block "14".

(R/W)

A0	RD	WR	D15	D14	D13	D12	D11	D10	D9	D8	D7	D6	D5	D4	D3	D2	D1	D0
0	1	0	0	0	1	1	0	0	1	0	0	0	0	0	1	1	1	0

(4) Set the Display Unit Number of the 2nd Block "16".

(R/W)

A0	RD	WR	D15	D14	D13	D12	D11	D10	D9	D8	D7	D6	D5	D4	D3	D2	D1	D0
0	1	0	0	0	1	1	0	0	1	1	0	0	0	1	0	0	0	0

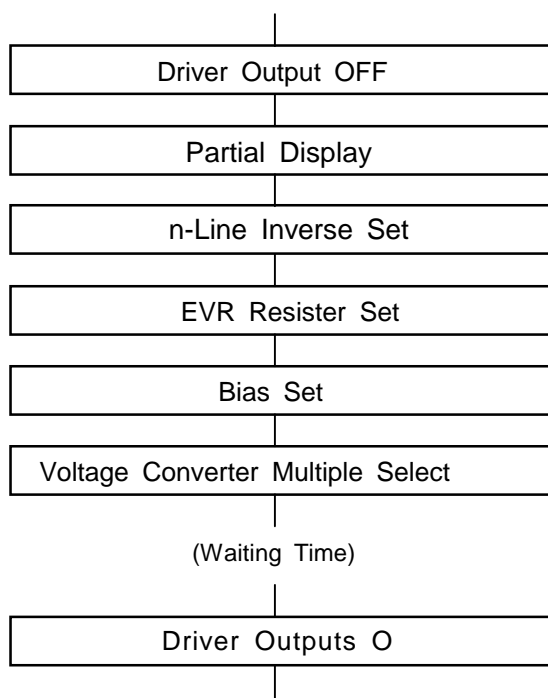
Then, the Duty will be changed to 1/128 automatically.

(4) Execute the Partial Display

(R/W)

A0	RD	WR	D15	D14	D13	D12	D11	D10	D9	D8	D7	D6	D5	D4	D3	D2	D1	D0
0	1	0	0	0	1	1	0	1	0	0	0	0	0	0	0	0	0	0

The Sequence about the Partial Display function



3-11)n-Line Inverse Resister Set

This instruction drives the Display with inverse mode at the specified line.

(R/W)

A0	RD	WR	D15	D14	D13	D12	D11	D10	D9	D8	D7	D6	D5	D4	D3	D2	D1	D0
0	1	0	0	0	0	0	0	0	1	1	*	*	A5	A4	A3	A2	A1	A0

* : Don't Care

A5	A4	A3	A2	A1	A0	Inverse Line
0	0	0	0	0	0	-
0	0	0	0	0	1	2
0	0	0	0	1	0	3
			⋮			⋮
1	1	1	1	1	0	63
1	1	1	1	1	1	64

★When A5 to A0 are "000000", it will be 2-frame alternating drive mode.

3-12)EVR Resister Set

This instruction controls Voltage Adjustment Circuit of internal LCD power supply and changes LCD driving voltage "V5". Finally, it adjusts the contrast of LCD display. By setting a data into EVR resister, V5 output voltage selects one condition out of 201-voltage conditions. The range of V5 voltage is adjusted by setting external resister as mentioned in (4-2) Voltage Regulator

(R/W)																		
A0	\overline{RD}	\overline{WR}	D15	D14	D13	D12	D11	D10	D9	D8	D7	D6	D5	D4	D3	D2	D1	D0
0	1	0	0	0	0	0	1	0	0	0	A7	A6	A5	A4	A3	A2	A1	A0

A7	A6	A5	A4	A3	A2	A1	A0	VLCD
0	0	1	1	0	1	1	1	Low
			⋮					⋮
1	1	1	1	1	1	1	0	⋮
1	1	1	1	1	1	1	1	High

VLCD=VDD-V5

If EVR isn't used, set the EVR Resister to (1,1,1,1,1,1,1,1).

3-13) Variable RAM Mapping Mode

At this Variable RAM Mapping Mode, it is possible to define the RAM area in a maximum of 8-blocks not to continue to display the screen. Therefore, it is easy to replace a part of the Display Data each other (Fig.7, 8).

When using this Variable RAM Mapping Mode, the Z Address is defined by "3-2)Z Address Set instruction" will be invalid. So, Vertical Scroll with changing a Z Address will be unable.

And, it is available to define the Display Line Number of each blocks as "1" to "63", but it must not define as "0".

If setting the all Display Line Number more than the Duty, the line data which is over the Duty will not be displayed.

After Reset is executed, the register about this Variable RAM Mapping Mode will be indefinite.

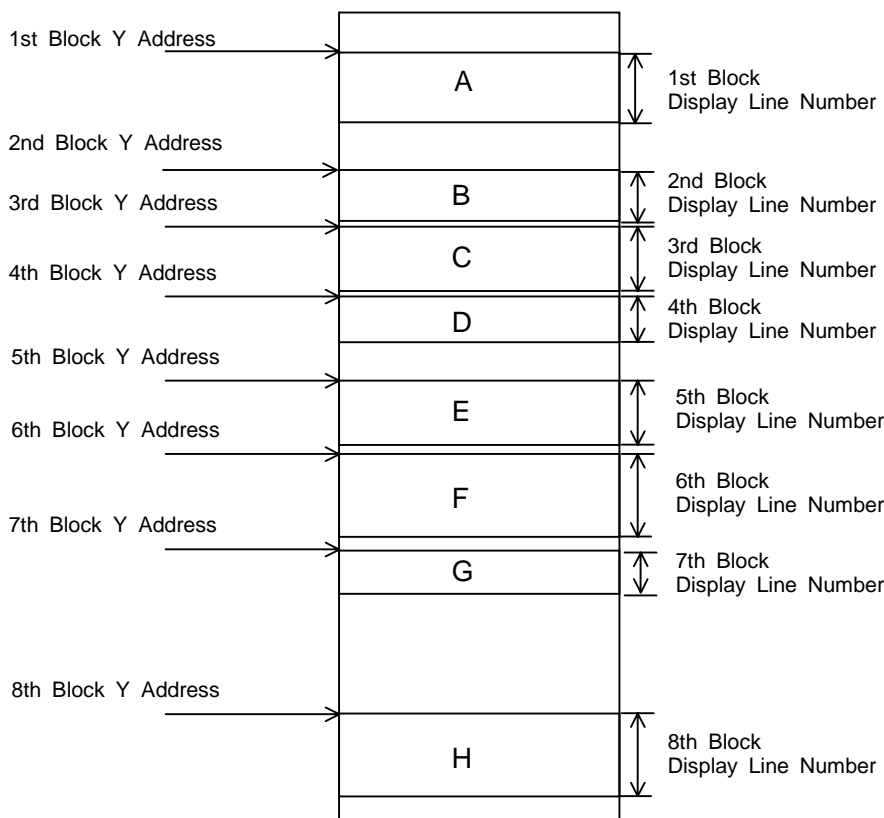


Fig.7-1 The setup of Variable RAM Mapping Mode, and the Address Map

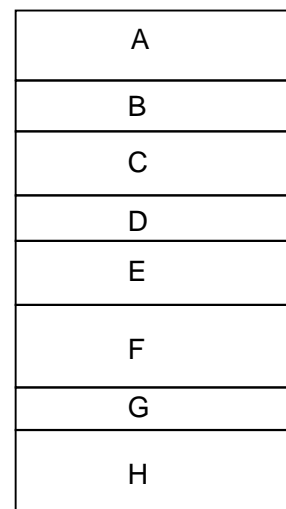


Fig.7-2 The actual view of the Display

The Example of Variable RAM Mapping Mode

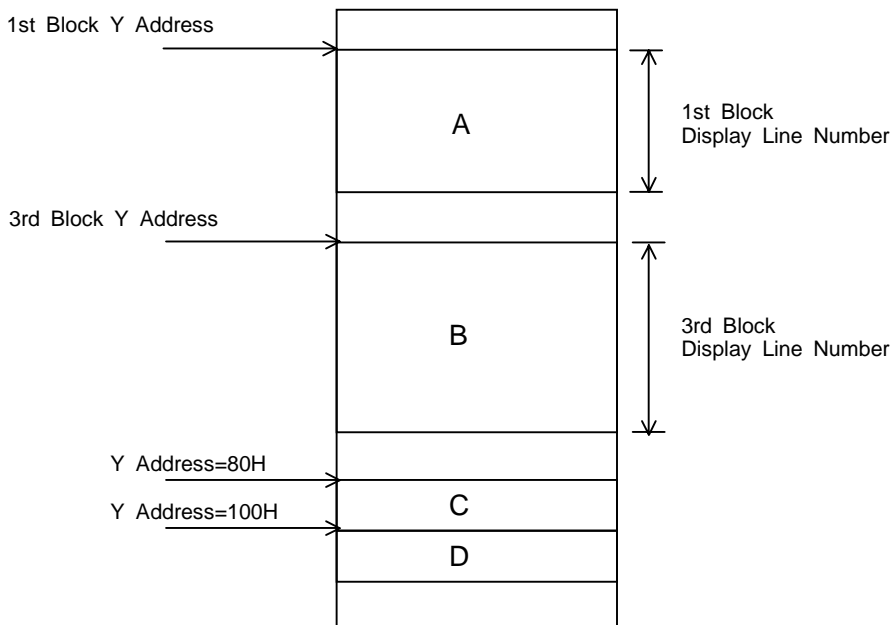


Fig.8-1 The setup of Variable RAM Mapping Mode, and the Address Map

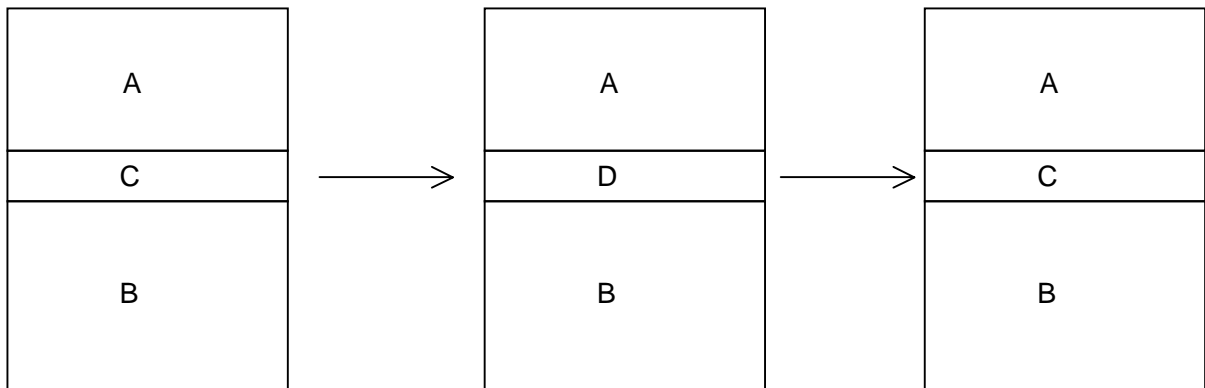


Fig.8-2 The actual Views of the Display when the 2nd Block Y-Address is changed like the sequence of "80"H -> "100"H -> "80"H

(1) Set the Y Address of the 1st Block

(R/W)

A0	RD	WR	D15	D14	D13	D12	D11	D10	D9	D8	D7	D6	D5	D4	D3	D2	D1	D0
0	1	0	0	1	0	0	0	0	0	A8	A7	A6	A5	A4	A3	A2	A1	A0

A8 to A0: the Y Address of the 1st Block (0 to 319)

(2) Set the Display Line Number of the 1st Block

(R/W)

A0	RD	WR	D15	D14	D13	D12	D11	D10	D9	D8	D7	D6	D5	D4	D3	D2	D1	D0
0	1	0	0	1	0	0	0	0	1	0	*	*	D5	D4	D3	D2	D1	D0

*: Don't Care

D5 to D0: the Display Line Number of the 1st Block (1 to 63)

(3) Set the Y Address of the 2nd Block

(R/W)

A0	RD	WR	D15	D14	D13	D12	D11	D10	D9	D8	D7	D6	D5	D4	D3	D2	D1	D0
0	1	0	0	1	0	0	0	1	0	A8	A7	A6	A5	A4	A3	A2	A1	A0

A8 to A0: the Y Address of the 2nd Block (0 to 319)

(4) Set the Display Line Number of the 2nd Block

(R/W)

A0	RD	WR	D15	D14	D13	D12	D11	D10	D9	D8	D7	D6	D5	D4	D3	D2	D1	D0
0	1	0	0	1	0	0	0	1	1	0	*	*	D5	D4	D3	D2	D1	D0

*: Don't Care

D5 to D0: the Display Line Number of the 2nd Block (1 to 63)

(5) Set the Y Address of the 3rd Block

(R/W)

A0	RD	WR	D15	D14	D13	D12	D11	D10	D9	D8	D7	D6	D5	D4	D3	D2	D1	D0
0	1	0	0	1	0	0	1	0	0	A8	A7	A6	A5	A4	A3	A2	A1	A0

A8 to A0: the Y Address of the 3rd Block (0 to 319)

(6) Set the Display Line Number of the 3rd Block

(R/W)

A0	RD	WR	D15	D14	D13	D12	D11	D10	D9	D8	D7	D6	D5	D4	D3	D2	D1	D0
0	1	0	0	1	0	0	1	0	1	0	*	*	D5	D4	D3	D2	D1	D0

*: Don't Care

D5 to D0: the Display Line Number of the 3rd Block (1 to 63)

(7) Set the Y Address of the 4th Block

(R/W)

A0	RD	WR	D15	D14	D13	D12	D11	D10	D9	D8	D7	D6	D5	D4	D3	D2	D1	D0
0	1	0	0	1	0	0	1	1	0	A8	A7	A6	A5	A4	A3	A2	A1	A0

A8 to A0: the Y Address of the 4th Block (0 to 319)

(8) Set the Display Line Number of the 4th Block

(R/W)

A0	RD	WR	D15	D14	D13	D12	D11	D10	D9	D8	D7	D6	D5	D4	D3	D2	D1	D0
0	1	0	0	1	0	0	1	1	1	0	*	*	D5	D4	D3	D2	D1	D0

*: Don't Care

D5 to D0: the Display Line Number of the 4th Block (1 to 63)

(9) Set the Y Address of the 5th Block

(R/W)

A0	RD	WR	D15	D14	D13	D12	D11	D10	D9	D8	D7	D6	D5	D4	D3	D2	D1	D0
0	1	0	0	1	0	1	0	0	0	A8	A7	A6	A5	A4	A3	A2	A1	A0

A8 to A0: the Y Address of the 5th Block (0 to 319)

(10) Set the Display Line Number of the 5th Block

(R/W)

A0	RD	WR	D15	D14	D13	D12	D11	D10	D9	D8	D7	D6	D5	D4	D3	D2	D1	D0
0	1	0	0	1	0	1	0	0	1	0	*	*	D5	D4	D3	D2	D1	D0

*: Don't Care

D5 to D0: the Display Line Number of the 5th Block (1 to 63)

(11) Set the Y Address of the 6th Block

(R/W)

A0	RD	WR	D15	D14	D13	D12	D11	D10	D9	D8	D7	D6	D5	D4	D3	D2	D1	D0
0	1	0	0	1	0	1	0	1	0	A8	A7	A6	A5	A4	A3	A2	A1	A0

A8 to A0: the Y Address of the 6th Block (0 to 319)

(12) Set the Display Line Number of the 6th Block

(R/W)

A0	RD	WR	D15	D14	D13	D12	D11	D10	D9	D8	D7	D6	D5	D4	D3	D2	D1	D0
0	1	0	0	1	0	1	0	1	1	0	*	*	D5	D4	D3	D2	D1	D0

*: Don't Care

D5 to D0: the Display Line Number of the 6th Block (1 to 63)

(13) Set the Y Address of the 7th Block

(R/W)

A0	RD	WR	D15	D14	D13	D12	D11	D10	D9	D8	D7	D6	D5	D4	D3	D2	D1	D0
0	1	0	0	1	0	1	1	0	1	A8	A7	A6	A5	A4	A3	A2	A1	A0

A8 to A0: the Y Address of the 7th Block (0 to 319)

(14) Set the Display Line Number of the 7th Block

(R/W)

A0	RD	WR	D15	D14	D13	D12	D11	D10	D9	D8	D7	D6	D5	D4	D3	D2	D1	D0
0	1	0	0	1	0	1	1	0	1	0	*	*	D5	D4	D3	D2	D1	D0

*: Don't Care

D5 to D0: the Display Line Number of the 7th Block (1 to 63)

(15) Set the Y Address of the 8th Block

(R/W)

A0	RD	WR	D15	D14	D13	D12	D11	D10	D9	D8	D7	D6	D5	D4	D3	D2	D1	D0
0	1	0	0	1	0	1	1	1	0	A8	A7	A6	A5	A4	A3	A2	A1	A0

A8 to A0: the Y Address of the 8th Block (0 to 319)

(16) Set the Display Line Number of the 8th Block

(R/W)

A0	RD	WR	D15	D14	D13	D12	D11	D10	D9	D8	D7	D6	D5	D4	D3	D2	D1	D0
0	1	0	0	1	0	1	1	1	1	0	*	*	D5	D4	D3	D2	D1	D0

*: Don't Care

D5 to D0: the Display Line Number of the 8th Block (1 to 63)

By using of the following instruction, Variable RAM Mapping Mode will be executed.

(R/W)

A0	RD	WR	D15	D14	D13	D12	D11	D10	D9	D8	D7	D6	D5	D4	D3	D2	D1	D0
0	1	0	0	1	1	0	0	0	0	0	*	*	*	*	*	*	*	1

* : Don't Care

And, by using of the following instruction, it will go back to the normal status from Variable RAM Mapping Mode.

(R/W)

A0	RD	WR	D15	D14	D13	D12	D11	D10	D9	D8	D7	D6	D5	D4	D3	D2	D1	D0
0	1	0	0	1	1	0	0	0	0	0	*	*	*	*	*	*	0	

* : Don't Care

3-14) Gray Scale Level Select

This instruction sets the level of 4-gray scale. The setting of each gray scale level is executed by writing the PWM data (0 to F_H) to the 4-Resisters of the 4-Flames consists of 1st to 4th.

And, among the 4-gray scale levels, the level 0 corresponds to the data (0,0) of the Display Data RAM, the level 1 is the data (0,1), the level 2 is the data (1,0), and the level 3 is the data (1,1).

Just after Reset, a Resister is related to the Gray Scale Level Select will be initialized like a following table.

PWM Data	HEX	Gray Scale Level
0	0	0/15(initialized value of level 0)
1	1	1/15
2	2	2/15
3	3	3/15
4	4	4/15
5	5	5/15(initialized value of level 1)
6	6	6/15
7	7	7/15
8	8	8/15
9	9	9/15
10	A	10/15(initialized value of level 2)
11	B	11/15
12	C	12/15
13	D	13/15
14	E	14/15
15	F	15/15(initialized value of level 3)

(1)Set the PWM Data of both the 1st Frame and the 2nd Frame with the Gray Scale Level 0.

(R/W)

A0	RD	WR	D15	D14	D13	D12	D11	D10	D9	D8	D7	D6	D5	D4	D3	D2	D1	D0
0	1	0	0	1	1	1	0	0	0	0	D13	D12	D11	D10	D23	D22	D21	D20

D13 to D10 : the PWM Data of the 1st Frame

D23 to D20 : the PWM Data of the 2nd Frame

(2)Set the PWM Data of both the 3rd Frame and the 4th Frame with the Gray Scale Level 0.

(R/W)

A0	RD	WR	D15	D14	D13	D12	D11	D10	D9	D8	D7	D6	D5	D4	D3	D2	D1	D0
0	1	0	0	1	1	1	0	0	0	1	D33	D32	D31	D30	D43	D42	D41	D40

D33 to D30 : the PWM Data of the 3rd Frame

D43 to D40 : the PWM Data of the 4th Frame

(3)Set the PWM Data of both the 1st Frame and the 2nd Frame with the Gray Scale Level 1.

(R/W)

A0	RD	WR	D15	D14	D13	D12	D11	D10	D9	D8	D7	D6	D5	D4	D3	D2	D1	D0
0	1	0	0	1	1	1	0	0	1	0	D13	D12	D11	D10	D23	D22	D21	D20

D13 to D10 : the PWM Data of the 1st Frame

D23 to D20 : the PWM Data of the 2nd Frame

(4)Set the PWM Data of both the 3rd Frame and the 4th Frame with the Gray Scale Level 1.

(R/W)

A0	RD	WR	D15	D14	D13	D12	D11	D10	D9	D8	D7	D6	D5	D4	D3	D2	D1	D0
0	1	0	0	1	1	1	0	0	1	1	D33	D32	D31	D30	D43	D42	D41	D40

D33 to D30 : the PWM Data of the 3rd Frame

D43 to D40 : the PWM Data of the 4th Frame

(5) Set the PWM Data of both the 1st Frame and the 2nd Frame with the Gray Scale Level 2.

(R/W)

A0	RD	WR	D15	D14	D13	D12	D11	D10	D9	D8	D7	D6	D5	D4	D3	D2	D1	D0
0	1	0	0	1	1	1	0	1	0	0	D13	D12	D11	D10	D23	D22	D21	D20

D13 to D10 : the PWM Data of the 1st Frame

D23 to D20 : the PWM Data of the 2nd Frame

(6) Set the PWM Data of both the 3rd Frame and the 4th Frame with the Gray Scale Level 2.

(R/W)

A0	RD	WR	D15	D14	D13	D12	D11	D10	D9	D8	D7	D6	D5	D4	D3	D2	D1	D0
0	1	0	0	1	1	1	0	1	0	1	D33	D32	D31	D30	D43	D42	D41	D40

D33 to D30 : the PWM Data of the 3rd Frame

D43 to D40 : the PWM Data of the 4th Frame

(7) Set the PWM Data of both the 1st Frame and the 2nd Frame with the Gray Scale Level 3.

(R/W)

A0	RD	WR	D15	D14	D13	D12	D11	D10	D9	D8	D7	D6	D5	D4	D3	D2	D1	D0
0	1	0	0	1	1	1	0	1	1	0	D13	D12	D11	D10	D23	D22	D21	D20

D13 to D10 : the PWM Data of the 1st Frame

D23 to D20 : the PWM Data of the 2nd Frame

(8) Set the PWM Data of both the 3rd Frame and the 4th Frame with the Gray Scale Level 3.

(R/W)

A0	RD	WR	D15	D14	D13	D12	D11	D10	D9	D8	D7	D6	D5	D4	D3	D2	D1	D0
0	1	0	0	1	1	1	0	1	1	1	D33	D32	D31	D30	D43	D42	D41	D40

D33 to D30 : the PWM Data of the 3rd Frame

D43 to D40 : the PWM Data of the 4th Frame

3-15) Bias Select

This instruction sets the Bias Voltage. And it must be done with the setting of the Partial Display Mode.

(R/W)

A0	RD	WR	D15	D14	D13	D12	D11	D10	D9	D8	D7	D6	D5	D4	D3	D2	D1	D0
0	1	0	0	0	0	0	1	0	0	1	*	*	*	*	A3	A2	A1	A0

* : Don't Care

A3	A2	A1	A0	Bias
0	0	0	0	1/4
0	0	0	1	1/5
0	0	1	0	1/6
0	0	1	1	1/7
0	1	0	0	1/8
0	1	0	1	1/9
0	1	1	0	1/10
0	1	1	1	1/11
1	0	0	0	1/12
1	0	0	1	1/13
1	*	1	*	1/14

* : Don't Care

3-16) Voltage Converter Multiple Select

This instruction sets the boost level multiple of Internal Voltage Converter Circuits(2-times to 7-times). It must be done with the setting of the Partial Display Mode. If the external capacitor is connected as the boost level multiple is lower than 6-times, don't select the multiple with this instruction over its multiple is owing to its connection of the external capacitor. There is a fear of an incorrect function.

(R/W)

A0	RD	WR	D15	D14	D13	D12	D11	D10	D9	D8	D7	D6	D5	D4	D3	D2	D1	D0
0	1	0	0	0	0	0	1	0	1	0	*	*	*	*	*	A2	A1	A0

* : Don't Care

A2	A1	A0	Boost Multiple
0	0	0	2-times
0	0	1	3-times
0	1	0	4-times
0	1	1	5-times
1	0	0	6-times
1	*	1	7-times

* : Don't Care

3-17) Read Modify Write

This instruction sets the Read Modify Write Mode for the page address increment control. In this mode, the X Address increases "+1" automatically when the Display Data Write instruction is executed, but the X Address doesn't change when the Display Data Read Instruction is executed. This status is continued until the End instruction execution. When the End instruction is executed, the X Address goes back to the start address before the execution of this Read Modify Write instruction. This function reduces the load of MPU for repeating the display data change in the fixed area(ex. cursor blink).

(R/W)

A0	RD	WR	D15	D14	D13	D12	D11	D10	D9	D8	D7	D6	D5	D4	D3	D2	D1	D0
0	1	0	0	0	0	1	0	0	0	0	*	*	*	*	*	*	*	D

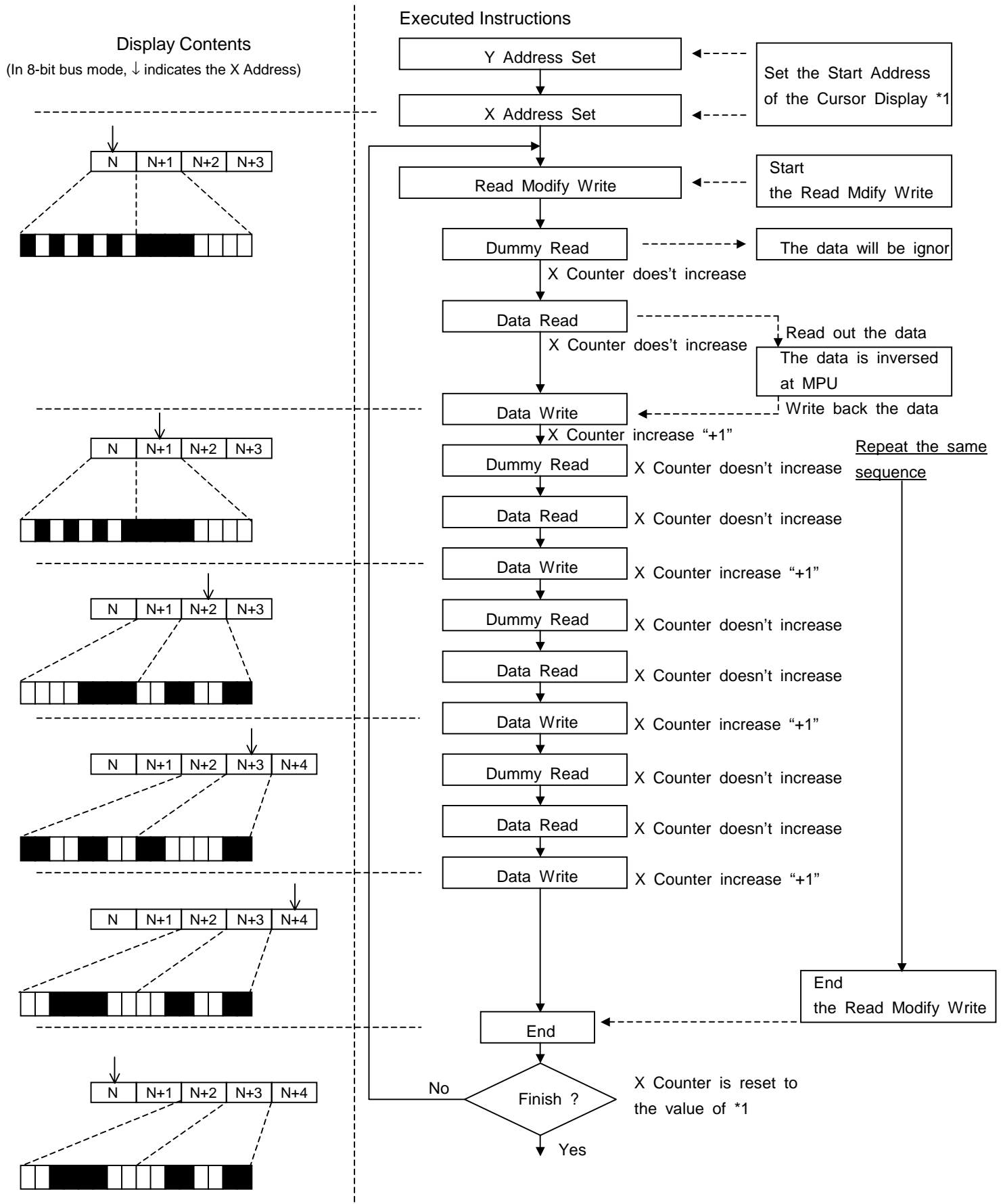
* : Don't Care

D=0:Read Modify Write ON

D=1:End

(Note) In mode of this Read Modify Write, any instructions except Y Address Set can execute.

The Example of Read Modify Write Sequence



3-18)Reset

This instruction executes the following initialization.

Initialization

- 1:Clear the Register of the Serial Interface.
- 2:Set the X Address Counter (00)H.
- 3:Set the Y Address Resister (000)H.
- 4:Set the Z Address Counter (000)H
- 5:Normal RAM Address Mapping(Variable RAM Mapping Mode OFF).
- 6:Set the EVR Resister (FF)H.
- 7:Set the Duty "1/160"(All ON).
- 8:Set the Bias Select "1/14".
- 9:Set the Voltage Boost Multiple "7-times".
- 10:Set the n-Line Inverse Resister (0)H.
- 11:Set the Bus 8-bit Bus Mode.

(R/W)

A0	RD	WR	D15	D14	D13	D12	D11	D10	D9	D8	D7	D6	D5	D4	D3	D2	D1	D0
0	1	0	0	0	0	1	0	0	0	1	*	*	*	*	*	*	*	D

* : Don't Care

At this time, the Display Data RAM is not influenced.

The reset signal input to the RES terminal (hardware reset) must be input for the power on initialization.

Reset instruction does not perform completely instead of hardware reset using the RES terminal.

3-19)Internal Power Supply

This instruction set ON/OFF of Voltage Converter, Voltage Regulator and Voltage Follower. To operate the Voltage Converter, the oscillation circuits must be operating.

(R/W)

A0	RD	WR	D15	D14	D13	D12	D11	D10	D9	D8	D7	D6	D5	D4	D3	D2	D1	D0
0	1	0	0	0	0	1	0	0	1	0	*	*	*	*	*	DC	VR	VF

* : Don't Care

DC=1:Voltage Converter ON

DC=0:Voltage Converter OFF^{※1)}

VR=1:Voltage Regulator ON

VR=0:Voltage Regulator OFF^{※2)}

VF=1:Voltage Follower ON

VF=0:Voltage Follower OFF^{※3)}

※1)At this time, terminals C1+,C1-,C2+,C2-,C3-,C4-,C5- and C6- should be open, and VOUT should be supplied from outside.

※2)At this time, terminal VR should be open, and V5 should be supplied from outside.

※3)At this time, terminals V1 to V5 should be supplied from outside.

※The time which is needed for completely starting up of the Internal Power Supply is depending on each settings (Supply Voltage, VLCD=VDD-V5, External Capacitor of Voltage Converter, External Capacitor which is connected to V1 to V5). To know the time correctly, the test with actual LCD module must be needed.

3-20) Driver Outputs ON/OFF

This instruction controls ON/OFF of the LCD Driver Outputs.

(R/W)																		
A0	RD	WR	D15	D14	D13	D12	D11	D10	D9	D8	D7	D6	D5	D4	D3	D2	D1	D0
0	1	0	0	0	0	1	0	0	1	1	*	*	*	*	*	*	*	D

* : Don't Care

D=0: Driver Outputs OFF (No signal is output)

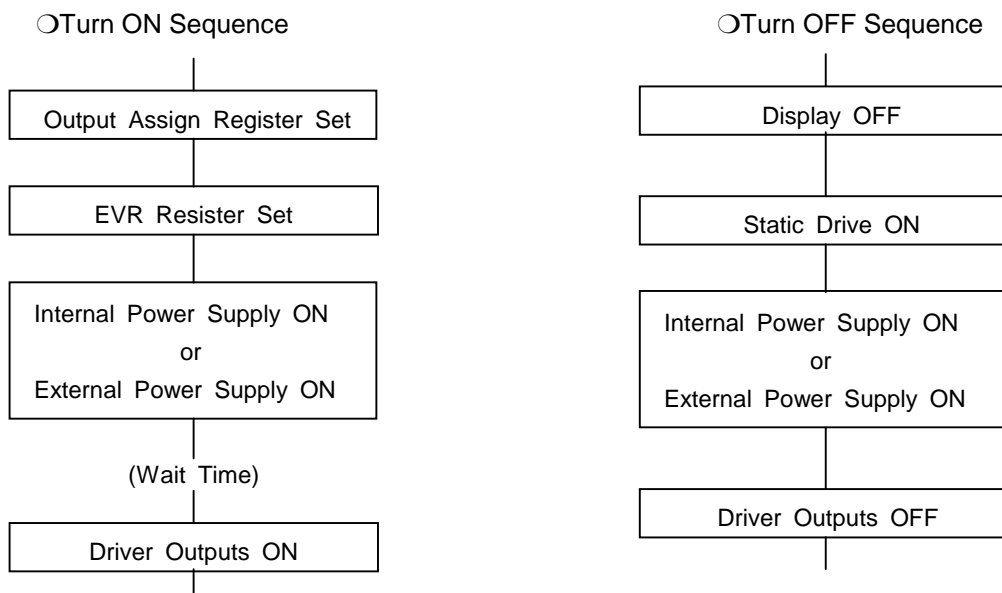
D=1: Driver Outputs ON (Signal is output)

The NJU6682 contains low power LCD driving voltage generator circuit reducing own operating current. Therefore, it requires the following sequence procedures at power on for power source stabilized operation.

● LCD Driving Power Supply ON/OFF Sequences

The following sequences are required when the power supply is turned ON/OFF.

When the Power Supply is turned on again after the turn off (by the Power Save instruction), the power save release sequence(s) is required.



3-21)Power Save

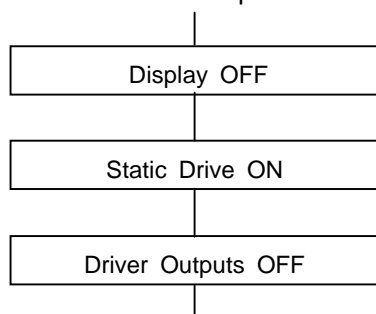
When both of Display OFF and Static Drive ON are executed(its sequence is not required), the internal circuits go to the Power Saving Mode and the operating current is reduced as same as the stand by current.

The internal status in this Power Save Mode is shown in follows;

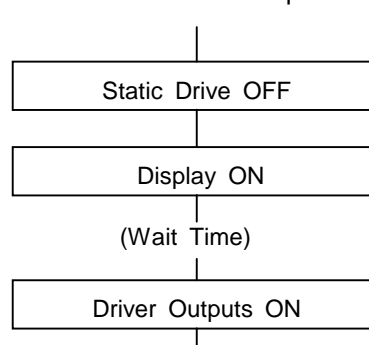
- 1:The operation of both the Oscillation Circuits and the Internal Power Supply Circuits is stopped.
- 2:LCD driving is stopped. Segment and Common drivers output Vdd level voltage.
- 3:Both the display data and the operating mode just before the Power Save Mode is kept.
- 4:All of the LCD driving bias voltage is fixed to the VDD level.

- *1 In the Power Save sequence, the Power Save Mode is started after the second instruction (Static Drive ON).
- *2 In the Power Save release sequence, the Power Save Mode is released after the Static Drive OFF instruction.The Display ON instruction can input at any timing after the Static Drive OFF instruction in Power Save release sequence.
- *3 LCD driving signal isn't output until the xexecution of the Driver Outputs ON instruction.
- *4 In case of the external power supply for LCD driving, it should be turn off and made condition like as disconnection or connection to VDD before the Power Save Mode or at the same time. In this time, VOUT terminal should be made codition like as disconnection or connection to the lowest voltage of the system.

○Power Save Sequence



○Power Save Release Sequence



※NJU6682 spends the current regularly without the execution of the Driver Outputs OFF instruction. The LCD drive signal will not be output until the Driver Outputs ON instruction is done.

3-22)ADC Select

This instruction defines the correspondence of X Address of the display RAM with the Segment Driver Outputs. By using of this instruction, it is possible to invert the sequence of the Segment Driver Output. Therefore, the limitation like a arrangement of IC with LCD module making will decrease.

(R/W)

A0	RD	WR	D15	D14	D13	D12	D11	D10	D9	D8	D7	D6	D5	D4	D3	D2	D1	D0
0	1	0	0	0	0	1	1	0	0	0	*	*	*	*	*	*	*	D

* : Don't Care

D=0:Clockwise Output (Normal)

D=1:Counterclockwise Output (Inverting)

3-23) Display Mode Select

This instruction selects the Display Mode.

(R/W)S

A0	RD	WR	D15	D14	D13	D12	D11	D10	D9	D8	D7	D6	D5	D4	D3	D2	D1	D0
0	1	0	0	0	0	1	1	0	0	1	*	*	*	*	*	GS	L1	L0

* : Don't Care

GS=1: Gray Scale Mode

GS=0: Black & White Mode

※When GS=0(Black & White Mode), the following L1 and L2 bit are valid.

L1=1: Select the Layer 1

L1=0: Not select the Layer 1

L0=1: Select the Layer 0

L0=0: Not select the Layer 0

3-24) 8-bit/16-bit Bus Select

This instruction sets the interface bus as 8-bit or 16-bit.

(R/W)

A0	RD	WR	D15	D14	D13	D12	D11	D10	D9	D8	D7	D6	D5	D4	D3	D2	D1	D0
0	1	0	0	0	0	1	1	0	1	D	*	*	*	*	*	*	*	*

* : Don't Care

D=0: Select 8-bit interface bus (D7 to D0).

D=1: Select 16-bit interface bus (D15 to D0)

(4) Internal Power Supply

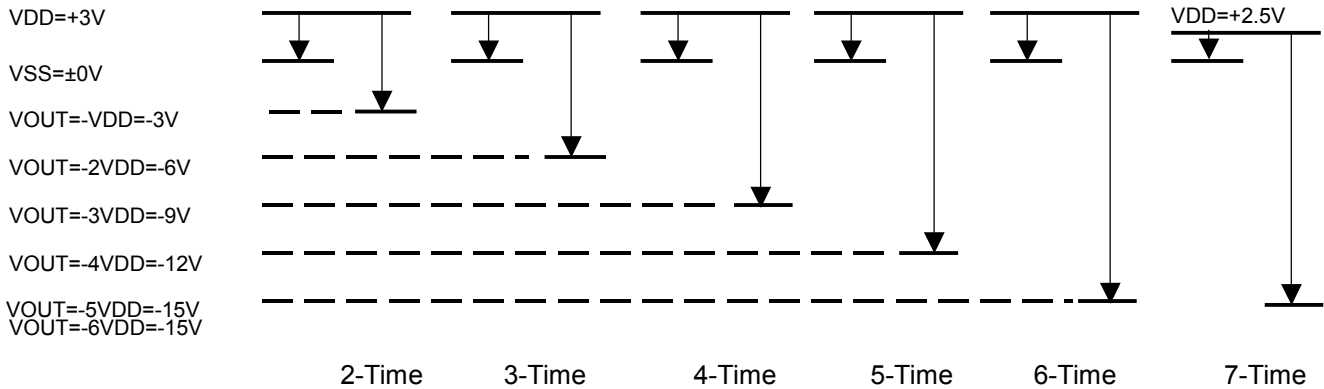
4-1) 7-Time Voltage Booster circuits

7-time voltage booster circuit connecting seven capacitors between C1+, C1- and C2+, C2- and ,C3-,C4-, C5- and C6- ,VSS and VOUT boost the voltage of VDD-VSS to negative Voltage(VDD Common) and output the boosted voltage from VOUT terminal. It selects one of boost time from 2 to 7 times by external capacitors connection. Furthermore, it also selects one of boost time by "Voltage Booster circuits multiple select" instruction. The boost voltage and the voltage booster circuits are shown below.

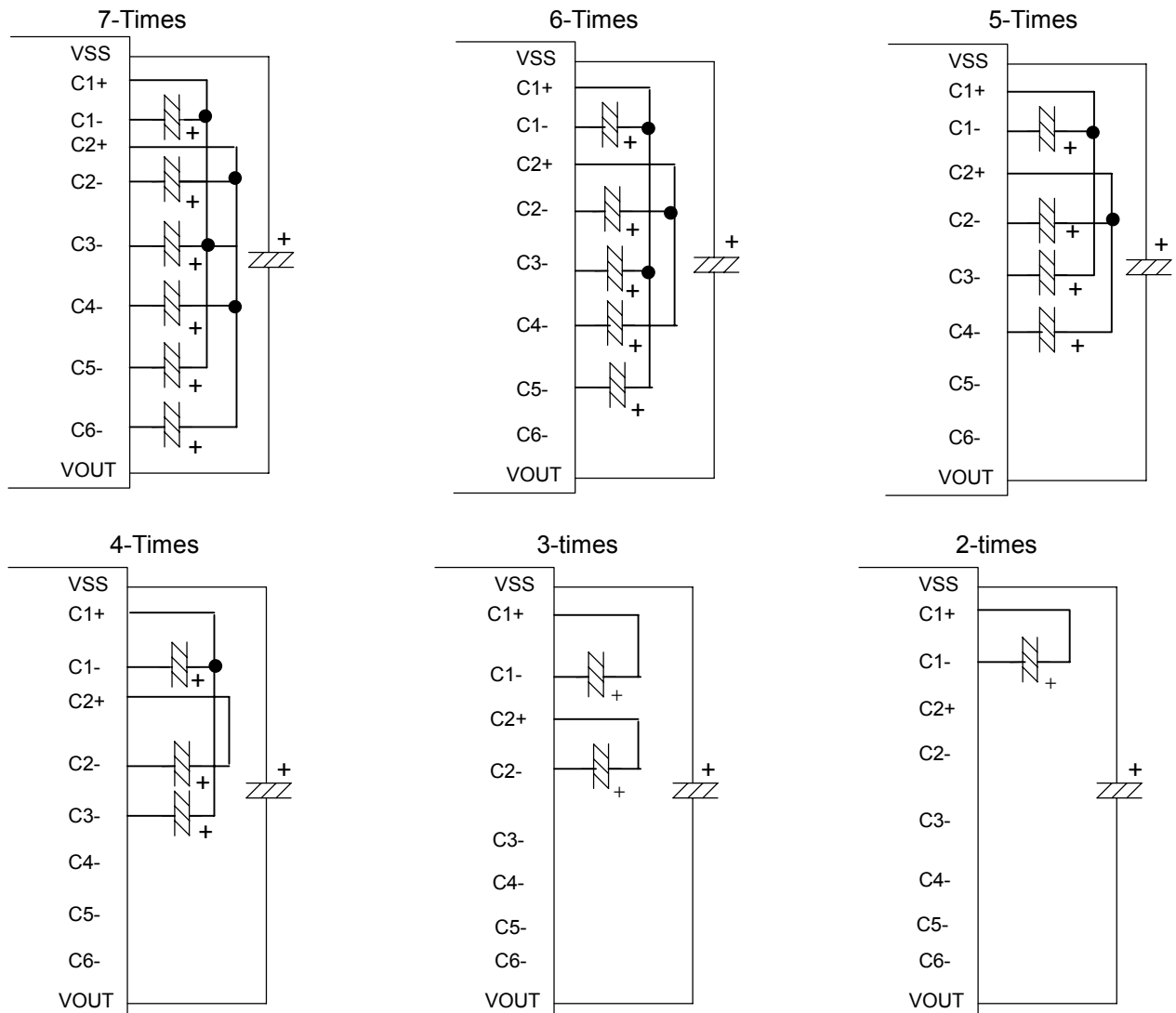
Voltage Booster circuits requires the clock signals from internal oscillation circuit, therefore ,the oscillation circuits must be operating when voltage boost operation. The boost voltage times are shown in below.

When 7 times boost operation, the operation voltage of VDD-VOUT should be less than 18V.

The relationship with Boosted voltage and VDD,VSS



Example of Capacitor connection in voltage Booster circuits



4-2) Voltage Adjust Circuit

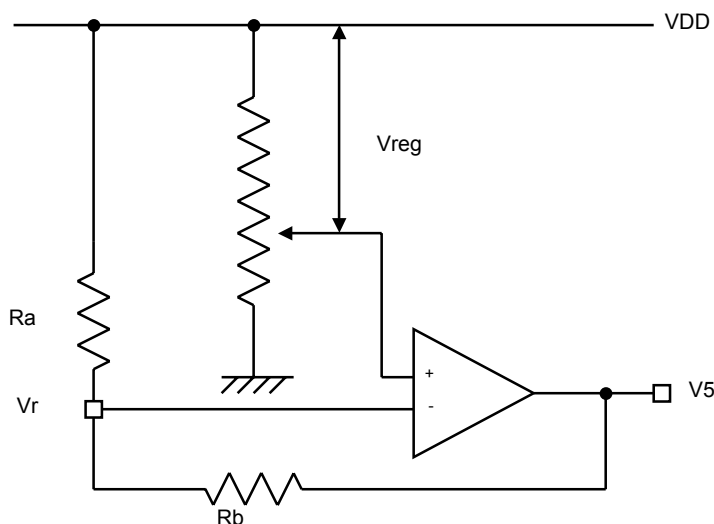
The boosted voltage of VOUT output from V5 through the voltage adjust circuits for LCD driving. The output voltage of V5 is adjusted by changing the Ra+Rb within the range of |V5| < |VOUT|.

The output is calculated by the following formula(1).

$$V_{LCD} = V_{DD} - V_5 = (1 + R_b/R_a) \cdot V_{REG} \quad \text{-----(1)}$$

The voltage of VREG is a standard voltage produce from built-in bleeder resistance. VREG is possible to be fine-adjusted by EVR functions mentioned in(4-3).

For fine-adjustment of V5, R2 as variable resistor, R1 and R3 as fixed constant should be connected to VDD terminal, VR and V5, as shown below.



< Design example for R1, R2 and R3 /Reference >

- R1+R2+R3=5MΩ
(Determined by the current flow between VDD-V5)
- Variable voltage range by the R2. 6V to 7.5V (V_{LCD}=V_{DD}-V₅)
(Determined by the LCD electrical characteristics)
- V_{REG}=3V
(In case of V_{DD}=3V)

R1, R2 and R3 are calculated by above conditions and the formula of(1) to below;

- R1=2.0MΩ
- R2=0.5MΩ
- R3=2.5MΩ

Note) If the power supply voltage between VDD and VSS changes, V5 changes too. therefore the power supply voltage should be stabilized for V5 stable operation.

4-3) Contrast adjustment by the EVR function

The EVR control voltage of VREG by instruction and changes voltage of V5.

AS result, LCD Display contrast is adjusted by V5. The EVR selects a voltage of VREG in the following 201 conditions by setting 8 bits data into the EVR register.

A step with EVR is set like table shown below.

EVR register	VREG
(37)h	$(100/300) \times (VDD-VSS)$
(38)h	$(101/300) \times (VDD-VSS)$
(39)h	$(102/300) \times (VDD-VSS)$
⋮	⋮
⋮	⋮
⋮	⋮
⋮	⋮
(FD)h	$(298/300) \times (VDD-VSS)$
(FE)h	$(299/300) \times (VDD-VSS)$
(FF)h	$(300/300) \times (VDD-VSS)$

When using an EVR function, the voltage adjustment circuit must be turn on by the power supply instruction.

●Adjustable range of the LCD driving voltage by EVR function

The adjustable range is decided by the power supply voltage VDD and the ratio of external resistors.

Example) NJU6682

Condition: VDD=3.0V

Ra=1MΩ, Rb=4MΩ (Ra:Rb=1:4)

The adjustable range and step voltage are calculated as follows in the above condition.

In case of setting 37(H) in the EVR register,

$$\begin{aligned}
 VLCD &= (1+Rb/Ra) \times VREG \\
 &= (1+4) \times (100/300) \times 3.0 \\
 &= 5.0
 \end{aligned}$$

In case of setting FF(H) in the EVR register,

$$\begin{aligned}
 VLCD &= (1+Rb/Ra) \times VREG \\
 &= (1+4) \times (300/300) \times 3.0 \\
 &= 15.0
 \end{aligned}$$

4-4) LCD Driving Voltage Generation Circuit

The LCD driving bias voltage of V1,V2,V3,V4 are generated internally by dividing the V5 voltage with the internal bleeder resistance. And it is supplied to the LCD driving circuits after the impedance conversion with voltage follower circuit.

As shown Fig-3, Five capacitors are required to connect to each LCD driving voltage terminal for voltage atabilizing. And the value of C7 to C11 are determind depending on the actual LCD panel display evaluation.

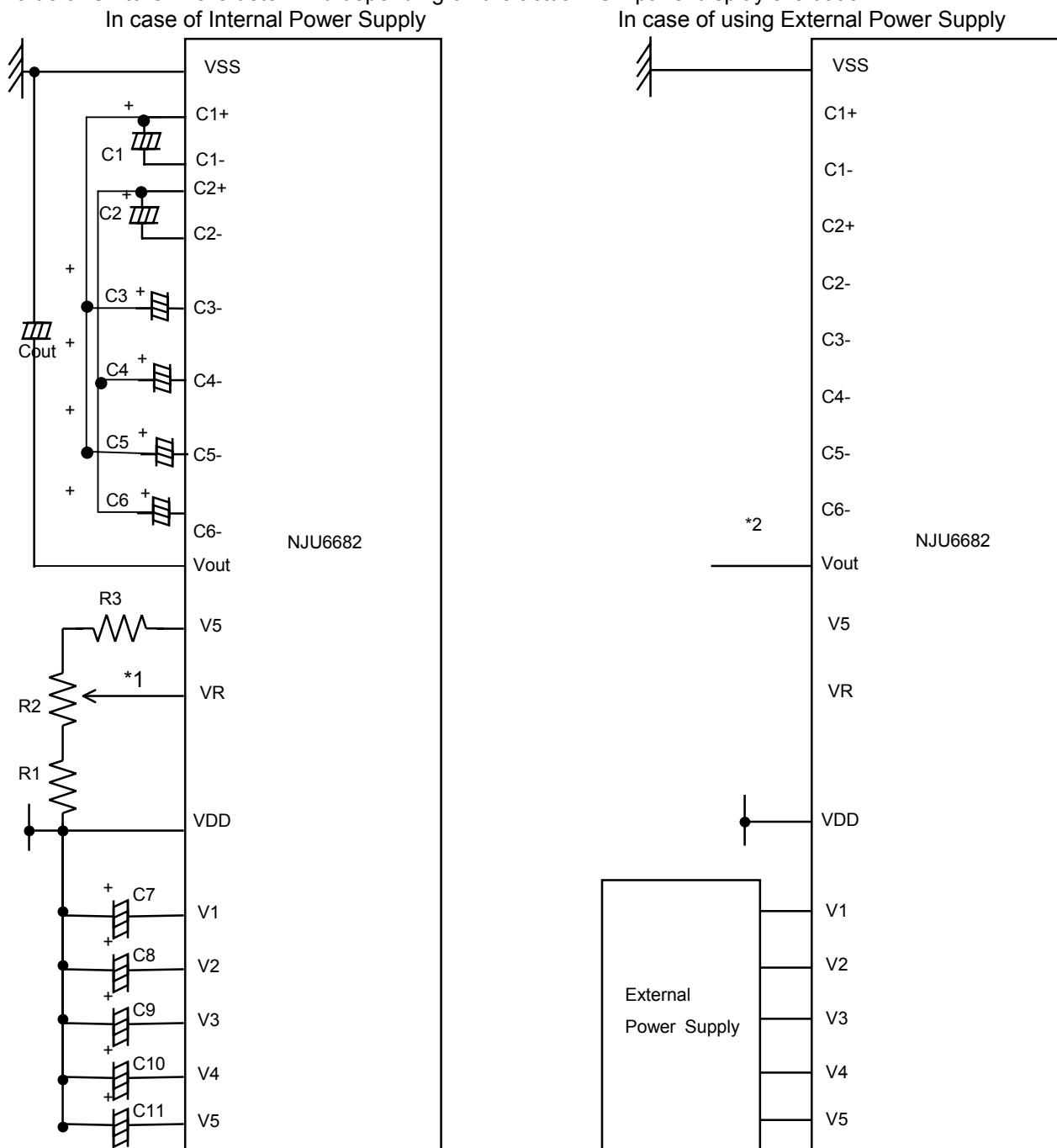


Fig-3

*1 Short wiring or sealed wiring to the VR terminal is required due to the high impedance of VR Terminal.

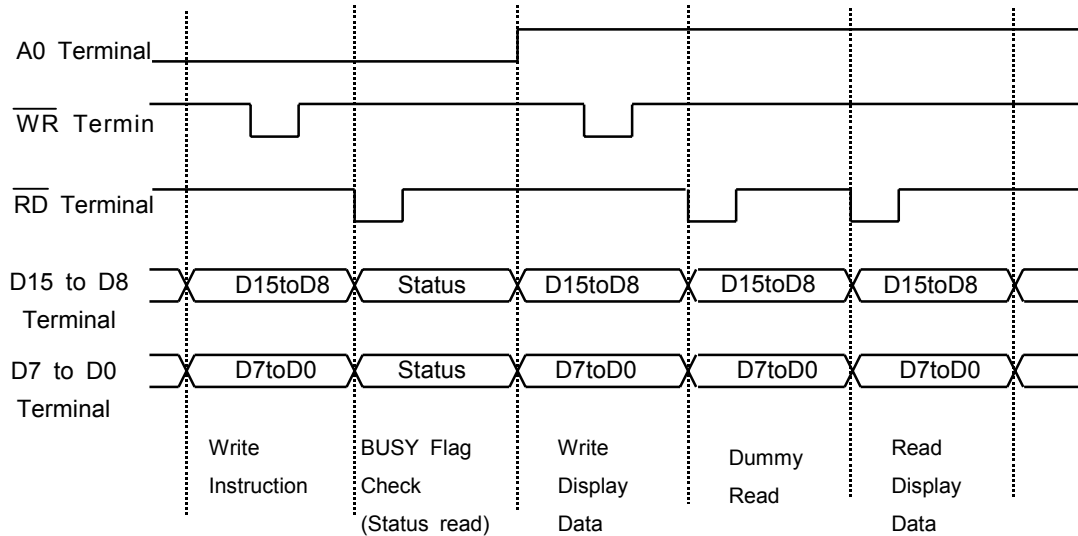
*2 Following connection of VOUT is required when external power supply using.

When $VSS > V5$ --- $VOUT = V5$
 When $VSS \leq V5$ --- $VOUT = VSS$

Reference set up value
 $V_{LCD} = V_{DD} - V_5 \approx 9.0$ to $10.5V$

COUT	~1.0uF
C1 to C6	~1.0uF
C7 to C11	0.1~0.47 uF
R1	2MΩ
R2	500KΩ
R3	2.5MΩ

(b) Interface with 16 bit MPU (16 bit BUS Interface Mode)



5-3) Serial Data Input (PS1="L")

In the serial interface of NJU6682 consists 16-bit shift register and 4-bit counter, In case of chip select ($\overline{CS}=L$) means it becomes to input D7(SI) and D6(SCL), and in case of chip isn't select, a shift register and a counter are reset to the initial condition.

The data input from terminal(SI) is MSB first like as the order of D15, D14, ...D0 by a serial interface, it is entered into with rise edge of serial clock(SCL). The data converted into parallel data of 16-bit with the rise edge of 16th serial clock and processed.

The serial interface of NJU6682 can two way select to 3-wire type and 4-wire type by PS0 terminal. In chosen PS0 terminal to "H", it become 4-wire interface and discliminate display data, instructions by A0 input terminal. A0 is read with rise edge of (16 X n)th of serial clock (SCL), it is recognize display data by A0="H" and instruction by A0="L". A0 input is read in the rise edge of (16 X n)th of serial clock (SCL) after chip select and distinguished.

However, in case of $\overline{RES}=L$ or $\overline{CS}=H$ with trasfered data does not fill 16 bit, attention is necessary because it will processed as there was command input. Always, input the data of (16 X n) style. In chosen PS0 terminal to "L", it becomes 3-wire interface and discliminate data after the serial data of 16-bit as the A0 data.

Note) The SCL signal must be careful of the termination reflection by the wiring length and the external noise and confirmation by the actual machine is recommended by it.

(a) 4-wired Serial Interface

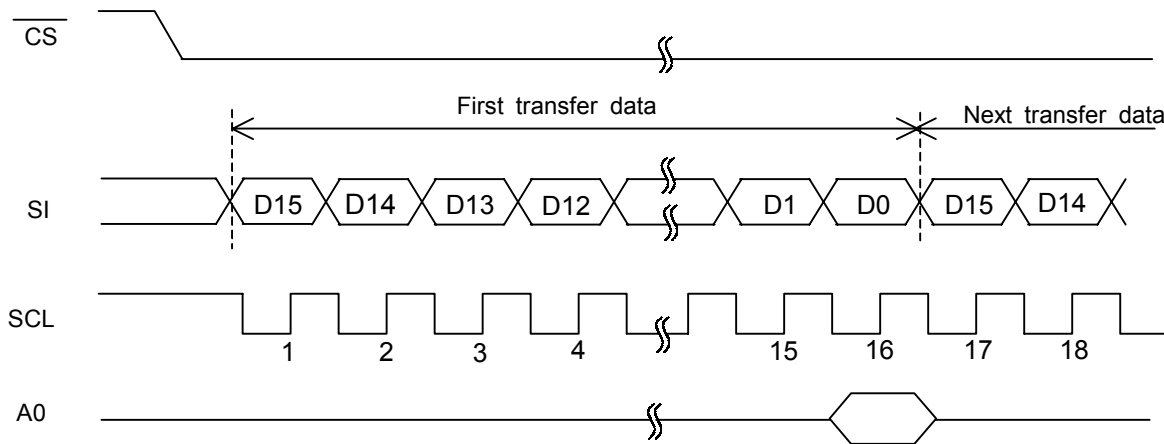


Fig 4-1

A0="H": Display Data
A0="L": Instruction

(b) 3-wire Serial Interface

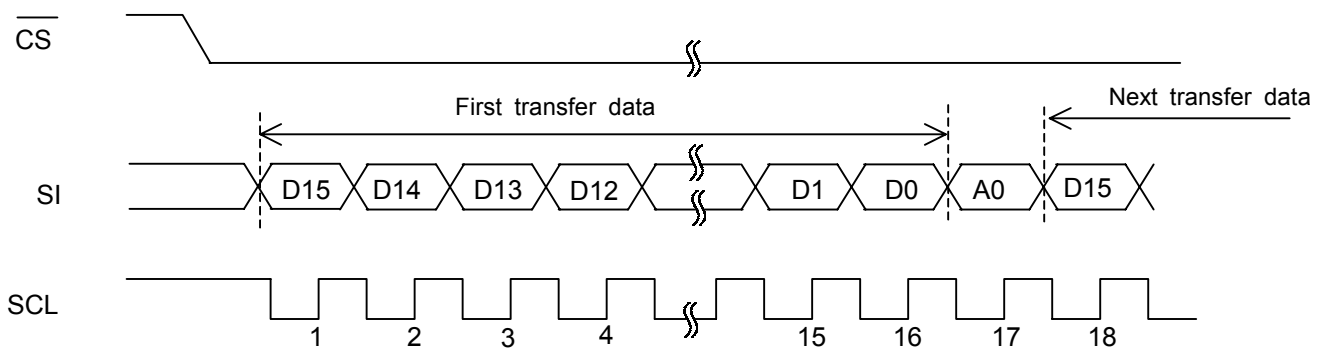


Fig 4-2

A0="1": Display Data
A0="0": Instruction

5-4) Display Data RAM , Access of Internal Register

NJU6682 communicates with the CPU through bus holder with the internal data BUS.

In case of reads the display data contents in Data RAM, the data which was read in the first data read cycle (the dummy read) is memorized in bus holder and is read on the system BUS from BUS holder in the following data read cycle. Also, In case of MPU writes into Display Data RAM, after once maintained by bus holder, it is written into Display Data RAM by the following data write cycle.

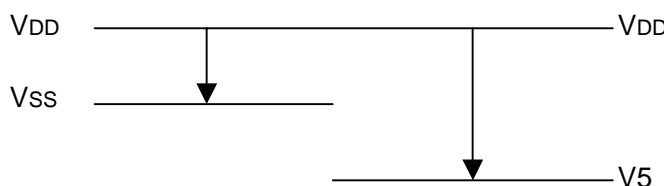
Therefore, the restrict in case of access by NJU6682 which was seen from MPU side is not access time (tACC,tDS) of Display Data RAM and the cycle time becomes dominant. With this, speed-up of the data transfer with the MPU becomes possible. In case of cycle time isn't met, the MPU inserts NOP operation and becomes equivalent to for this to execute wait operation on satisfy condition. In MPU . But, there is an restricts in the read sequence of Display Data RAM.

When setting an address, the data of the specified address isn't output by the read operation immediately after setting an address and the data of the specification address is output at the the 2nd data read.

Therefore, the dummy read is always necessary once after address set and the write cycle.

■ASOLUTE MAXIMUM RATING

PARAMETER	SYMBOL	RATINGS	UNIT
Supply Voltage(1)	VDD	-0.3 to +5.0	V
Supply Voltage(2)	V5 , VOUT	VDD-20.0 to VDD+0.3	V
Supply Voltage(3)	V1,V2,V3,V4	V5 to VDD+0.3	V
Input Voltage	VIN	-0.3 to VDD+0.3	V
Operating Temperature	TOPR	-30 to +80	°C
Strage Temperature	TCP	TSTG	-55 to +100
	Bare chip		-55 to +125



(Note 1) Voage values are specified as VSS=0.

(Note 2) Inase of using voltage boost circuit, as for the supply voltage, conditioned of $18.0V \geq VDD - VOUT$

(Note 3) The relation $VDD \geq V1 \geq V2 \geq V3 \geq V4 \geq V5; VDD > VSS \geq VOUT$ must be maintained.

When inputting external LCD driving voltage , LCD drive voltage is simultaneous with the rise of VDD power supply or after rises VDD.

(Note 4) If the LSI are used on condition above the absolute maximum rating,the LSI may be destroyed.

Using LSI within electrical characteristics is strongly recommended for normal operation.

Use beyond the eretric characteristics conditions will cause malfunction and poor reliability.

(Note 5) Decoupling capacitor should be connected between VDD and VSS due to stabilized operation for the Voltage Converter.

■ ELECTRICAL CHARACTERISTICS

(VDD=2.4 to 3.3V, VSS=0V, Ta=-30 to +80°C)

PARAMETER		SYMBOL	CONDITIONS	MIN	TYP	MAX	UNIT	NOTE
Operating voltage(1)		VDD		2.4		3.3	V	1
Operating Voltage(2)		V5		VDD-18.0V		VDD-6.0V	V	2
		V1,V2	VLCD=VDD-V5	VDD-0.5VLCD		VDD		
		V3,V4		V5		VDD - 0.5VLCD		
Input Voltage	High Level	VIHC1	A0,D0-D15, RD, WR, RES, CS	0.8VDD		VDD	V	
	Low Level	VILC1	Exclude P/S, SEL68, OSC1 terminal	VSS		0.2VDD		
Output Voltage	High Level	VHC11	D0toD1 Terminal	IOH=-0.5mA		VDD	V	
	Low Level	VOLC11		IOL= 0.5mA		0.2VDD		
Input Leagage Current		ILI0	All input terminal, D0 to D15 Terminal in High Z	-1.0		1.0	μA	
Driver On-resistance		RON	Ta=25°C VLCD=15V		2.0	3.0	kΩ	3
Stand-by Current		IDDQ	During Power Save Mode		T.B.D	T.B.D	μA	4
Input Terminal Capacitance		CIN	Ta=25°C		10		pF	6
Oscillation Frequency		fOSC	VDD= 3.0V, Ta=25°C		T.B.D		kHz	
Reset Time		tR	RES terminal	1.0			μS	7
Reset "L" level pulse Width		tRW		10			μS	8

Voltage boost output voltage	VOUT1	7-times boost, VDD=2.5V	VDD-17.5V			VDD-17.0V	V	
Voltage boost On-resistance	RTRI	7-times boost, VDD=2.5V, Cout=4.7μF				3.0	kΩ	
Adjustment range of LCD driving Voltage	VOUT2	Voltage boost operation off	VDD - 8.0V			VDD - 6.0V	V	9
Voltage Follower	V5	Voltage adjustment circuit "OFF"	VDD - 18.0V			VDD - 6.0V	V	
Operating Current In use external Power supply	IDD01	Display VLCD=16V			TBD	TBD	μA	10
	IDD02	Access fCYC=200KHz			TBD	TBD		
Operating Current In use internal power supply	IDD	Display VDD=3V, VLCD=16V , 6-time boost COn/Sn are Open , non-access , Display Checkerd pattern			300	TBD	μA	
Voltage Regulator	VREG%	VDD=3.0V, Ta=25°C				T.B.D	%	11

*1: NJU6682 can operate wide operating rangr, but it is not guarantee immideate voltage changing during the accessing of the MPU.

*2: The operating current in use external power supply.

*3: RON is the resistance values beteen power supply terminals (V1,V2,V3,V4) and each output terminals of common and segment suppliedby 0.1V. This is specified within the range of supply voltage(2).

*4,5: In case of not use internal power supply circuit, meaning current of IC's. LCD driving power supply are external power supply.

*4,5,11: The value of after execute driver output-oninstruction.

*4: Apply no access from MPU.

*5: The operating current when always writing a vertical stripe pattern in tcyc. In accessing current is proportional to the access frequency approximately. When not accessed, I become only IDD01.

*6: Apply A0, D0toD15, RD, WR, CS, RES, SEL68, PS0, PS1 terminals.

*7: tR (the reset time) shows the time of the inner circuit reset completion from the rise edge of the RES signal.

*8:Apply minimum pulse width of the RES signal. To operate the reset, the "L" pulse over t_{RW} must be inputted. \overline{RES} .

*9:The voltage adjustment circuit controls V5 in the voltage follower operation voltage

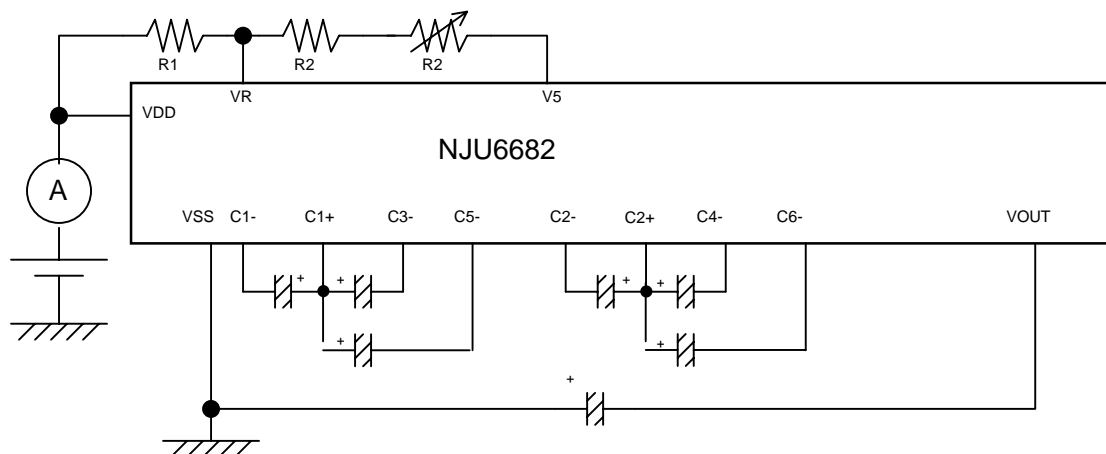
*10:Each operating current is defined as being measured in the following condition.

SYMBOL	POWER SUPPLY SET INSTRUCTION			OPERATING CONDITION				EXTERNAL VOLTAGE SUPPLY (INPUT TERMINAL)
	DC	VR	VF	Internal Oscillator	Voltage Booster	Voltage Adjustment	V/F Circuit	
IDD1	1	1	1	Validity	Validity (6-time boost)	Validity	Validity	Unuse

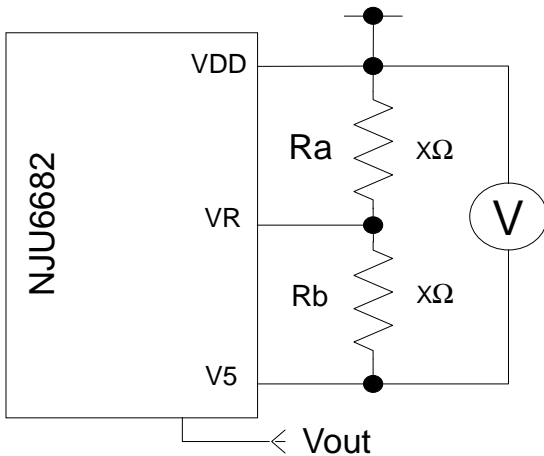
- LCD output terminal Open.
- Display on,Display chechered pattern,No access from MPU
- Set VLCD=16V
- Set to $R1+R2+R3=2M\Omega$

Mesurment Block Diagram

:IDD1



*11:As for power supply VREG, provide by the error of the VLCD output with the electronic volume.
It use the measurement system shown below.

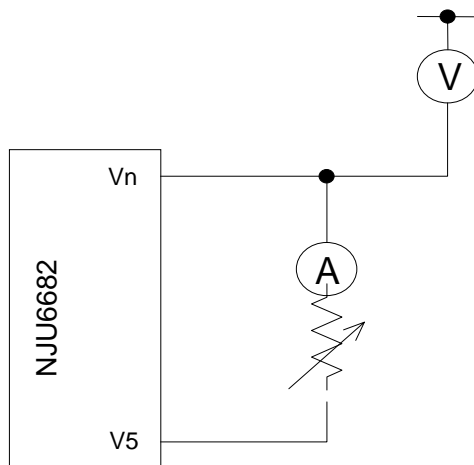


$VREG\% = (VREAL - VIDEAL) / VIDEAL \times 100$

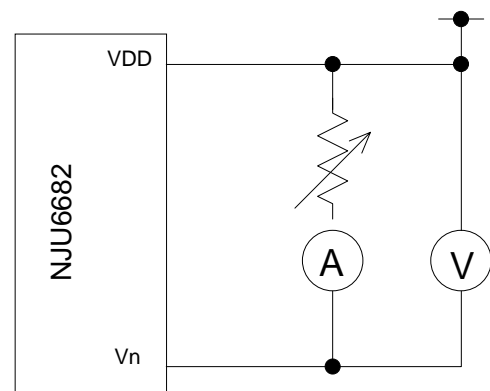
- VIDEAL means a ideal value and VREAL means a measurement value.
- As for the calculation of VIDEAL, refer to voltage adjustment circuit (6-9-11), the voltage adjustment circuit (6-9-11) which used an electronic volume function.

*12:The voltage change by the output current prescribes a range within VLcd X 5%. VLCD=12.0V;(VDD-Vout)=16.0V.
It define a measurement system shown below.

*:Vn shows either of V1-V5 measurement terminal. V/F current supply performance is reduced to the minimize because of the low consumption current.
Therefore, when measuring, the current which flows through the voltmeter in the figure, too, becomes not able to be ignored. When measuring, it require enough consideration.



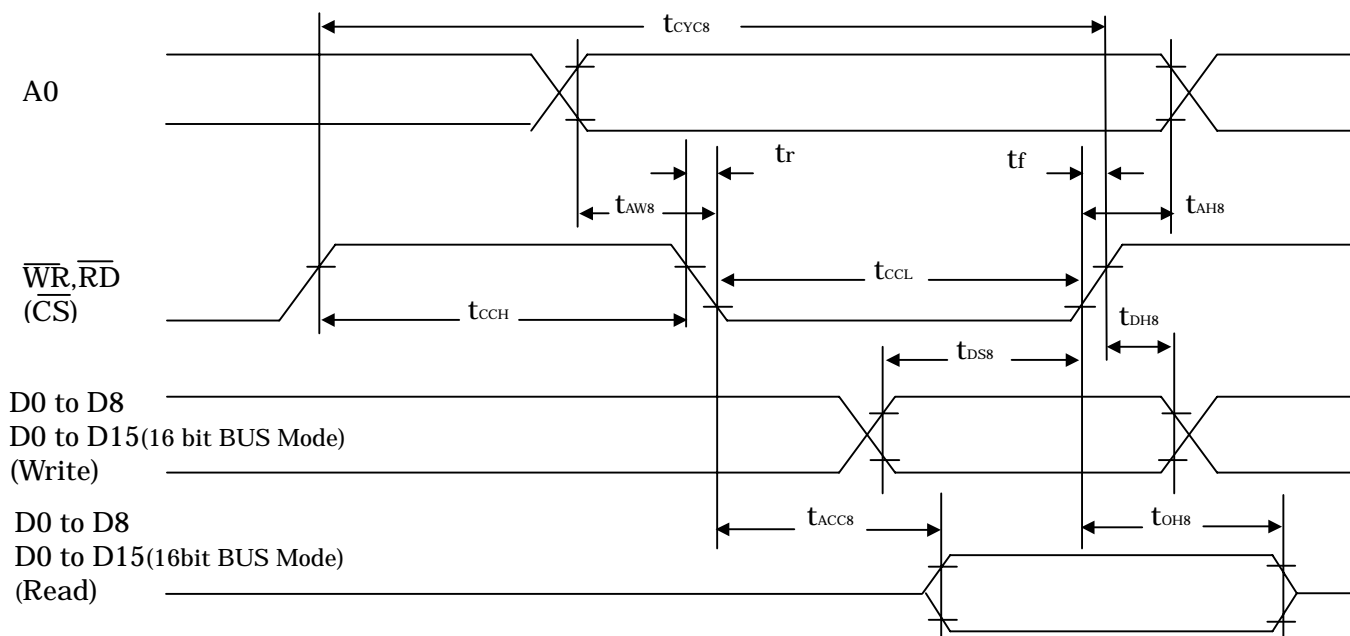
Measurement circuit for Source current



Measurement circuit for Sink current

■BUS TIMING CHARACTERISTICS

•Read/Write operation sequence(80 type MPU)

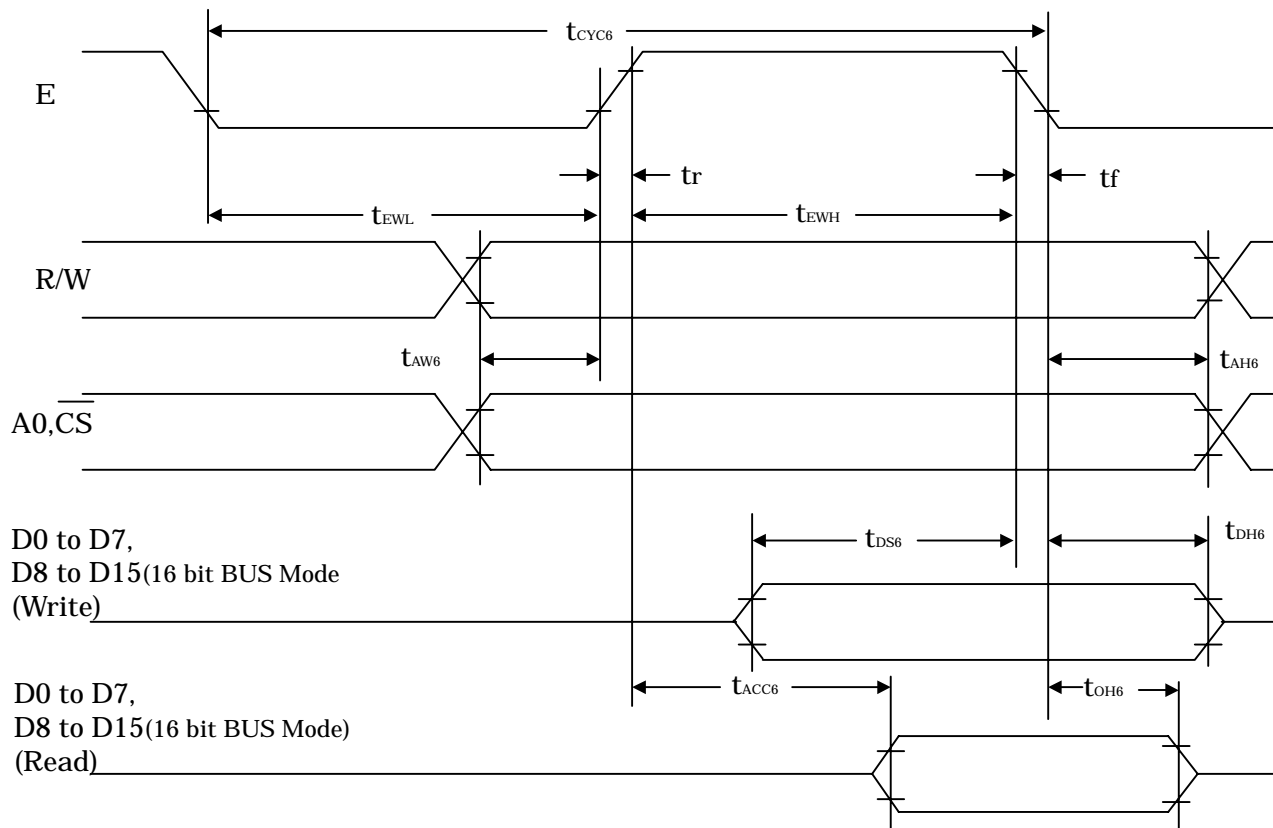


(VDD=2.4V to 3.3V, Ta=-30 to 80°C)

PARAMETER	SIGNAL	SYMBOL	Measurement Condition	MIN	TYP	MAX	UNIT
Address Hold Time	A0, \overline{CS}	tAH8	CL=100pF	0			ns
Address Set up Time		tAW8		0			
System Cycle Time (WRITE)	\overline{WR}	tCYC8(W)		160			
System Cycle Time (READ)		tCYC8(R)		360			
Control Pulse Width (WR)	\overline{RD}	tCCL(W)		50			
Control Pulse Width (RD)		tCCL(R)		250			
Control "H" Pulse Width	$\overline{WR}, \overline{RD}$	tCCH		110			
Data Set Up Time	D0 to D7	tDS8		30			
Data Hold Time		tDH8		5			
Rdaccess Time	D8 to D15	tACC8				240	
Output Disable Time		tOH8		0		50	
Rise Time / FallTime	$\overline{CS}, \overline{WR}, \overline{RD}$	tr, tf				15	

*1 All timing based on 20% and 80% of VDD.

•System BUS Sequence (Read / Write) (68-type MPU)



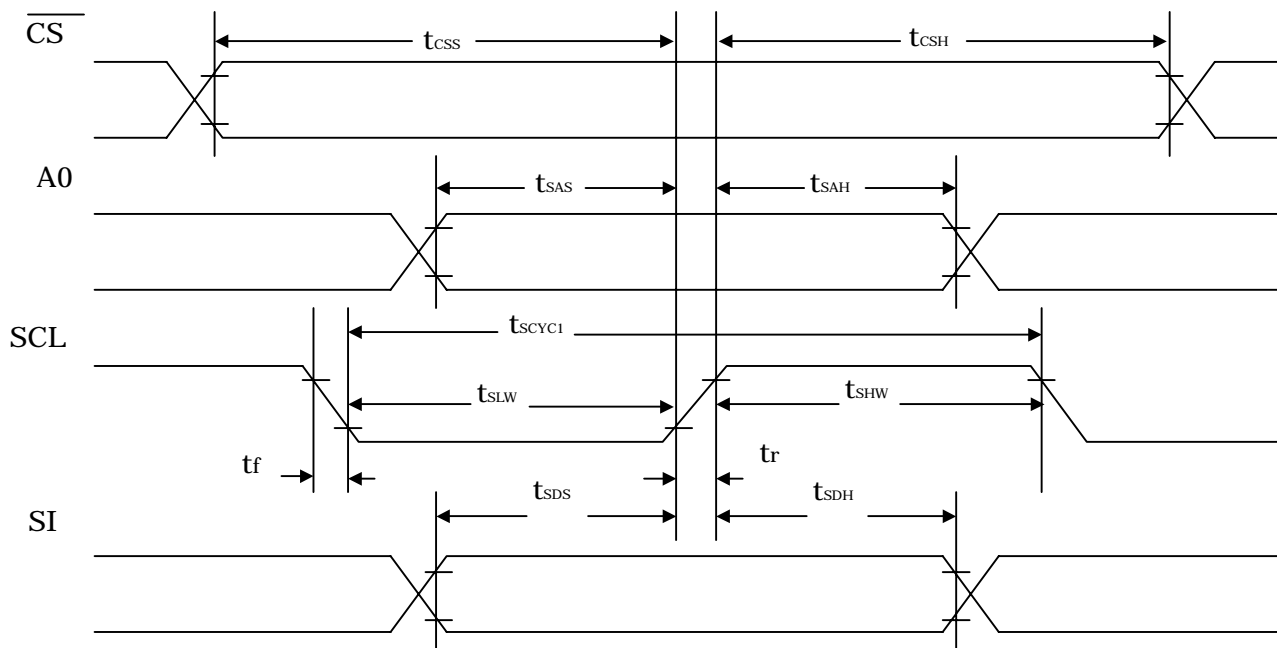
(VDD=2.4V to 3.3V, Ta=-30 to 80°C)

PARAMETER	SIGNAL	SYMBOL	Measurement Condition	MIN	TYP	MAX	UNIT
Address Hold Time	A0, \overline{CS} R/W	tAH6		0			ns
Address Set Up time		tAW6		0			
System Cycle Time (WRITE)		tCYC6(W)		160			
System Cycle Time (READ)		tCYC6(R)		360			
Enable "H" Pulse Width	E	tEWH		250			
				50			
Enable "L" Pulse Width (READ/WRITE)		tEHL		110			
Data Set Up Time	D0toD7, D8toD15	tDS6	CL=100pF	30			
Data Hold Time		tDH6		5			
Access Time		tACC6				240	
Output Disable Time		tOH6		0		50	
Rise Time / Fall Time	tr, tf	E				15	

*1 All timing are based on 20% and 80% of VDD.

*2 tCYC6 shows the cycle of the E signal to place in the in active CS.

•Serial Interface

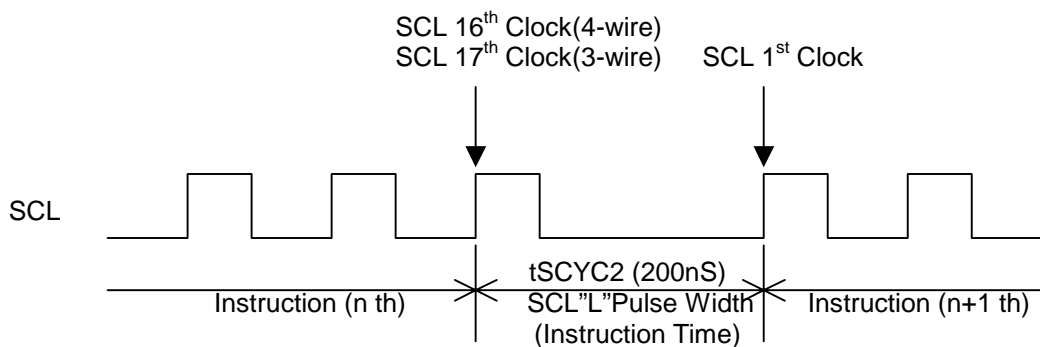


(VDD=2.4V to 3.3V, Ta=-30 to 80°C)

PARAMETER		SIGNAL	SYMBOL	Measurement Condition	MIN	TYP	MAX	UNIT
Serial Clock Cycle	Instruction Input	SCL	tSCYC1		60			ns
	Instruction Time*2)		tSCYC2		200			
SCL"H" Pulse Width			tSHW		30			
SCL"L" Pulse Width			tSLW		30			
Address Set Up Time		A0	tSAS		15			
Address Hold Time			tSAH		15			
Data Set Up Time		SI	tSDS		15			
Data Hold Time			tSDH		15			
\overline{CS} -SCLTime		\overline{CS}	tCSS		30			
			tCSH		30			
Rise Time / Fall Time		SCL	t _f , t _r				15	

*1 All timing are based on 20% and 80% of VDD.

*2 When inputting an instruction continuously, provide the cycle of SCL among the instructions as follows by 200 nS.



■LCD Driving Wave Form (Black & Whitr Mode)

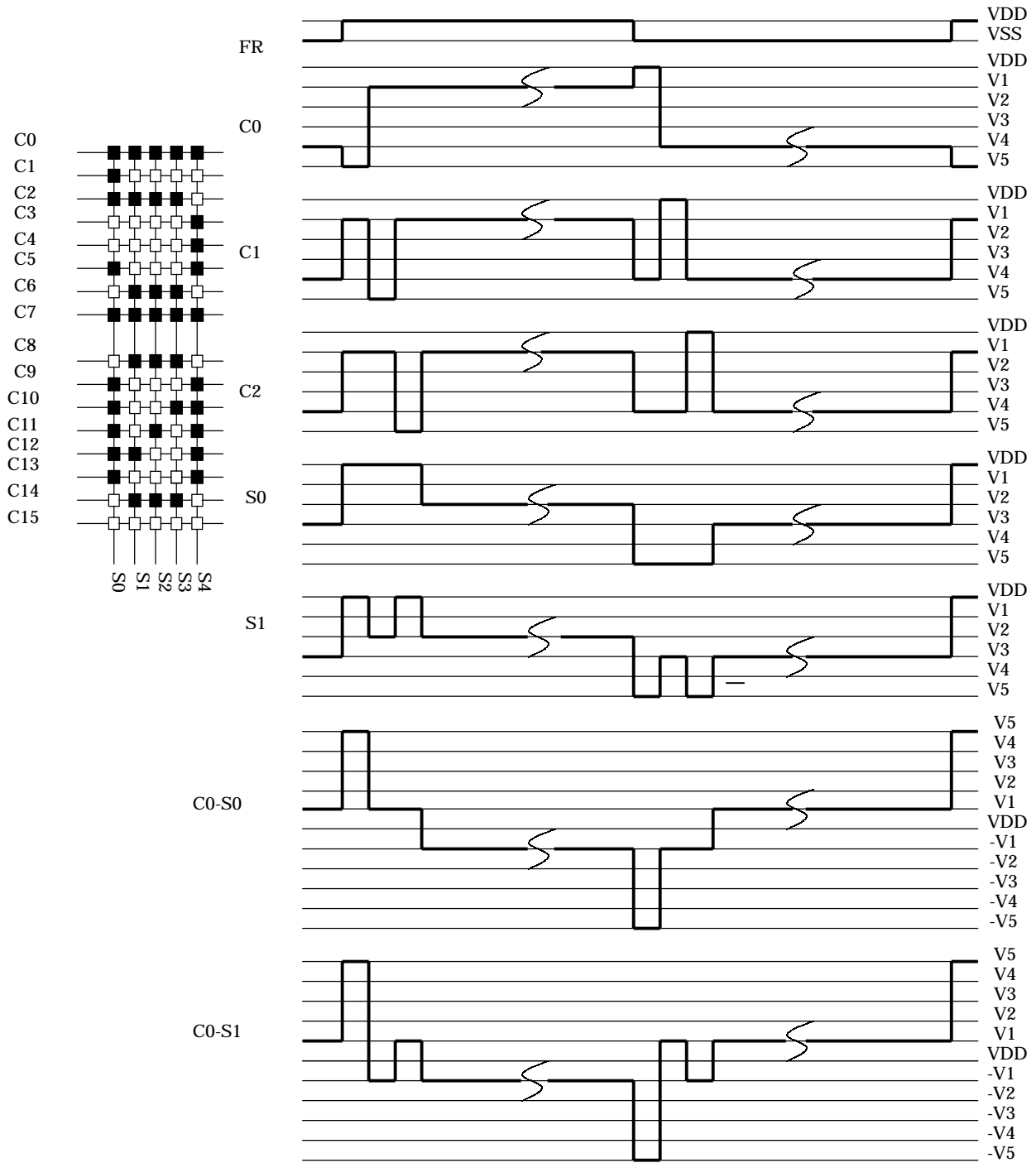


Fig4

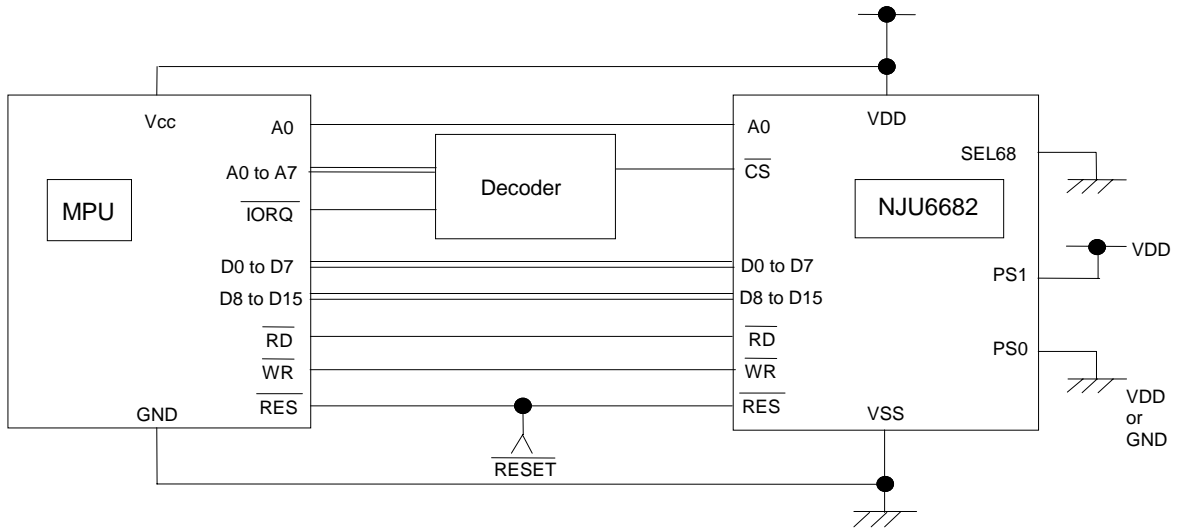
APPLICATION CIRCUIT

MPU Interface Example

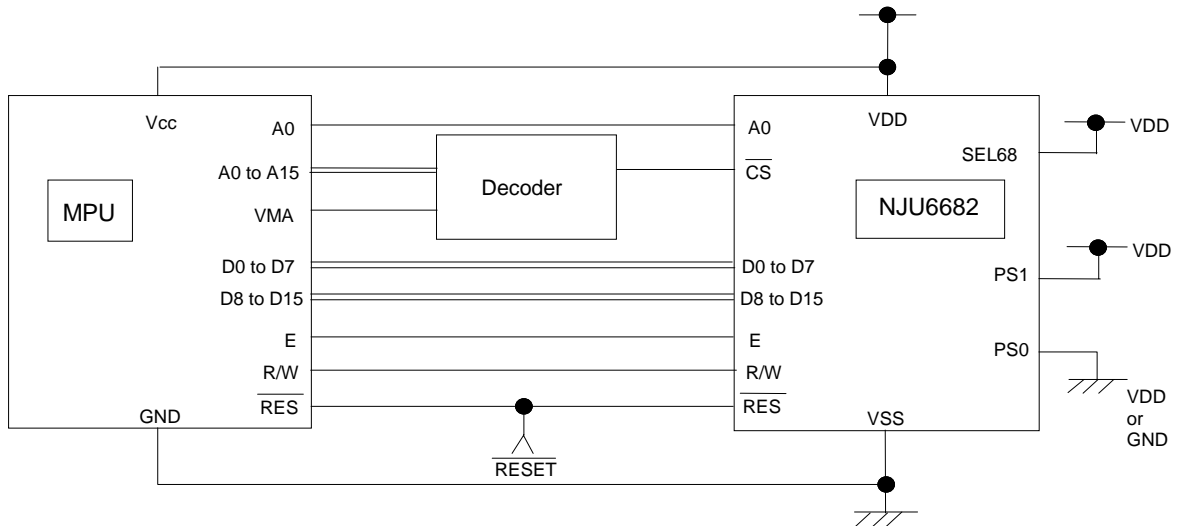
NJU6682 can direct connection with 80 type MPU and 68 type MPU. Moreover, with to use a serial interface, it is possible to control by the signal line with the more small being.

*:CEL68 terminal should be connect VDD or VSS.

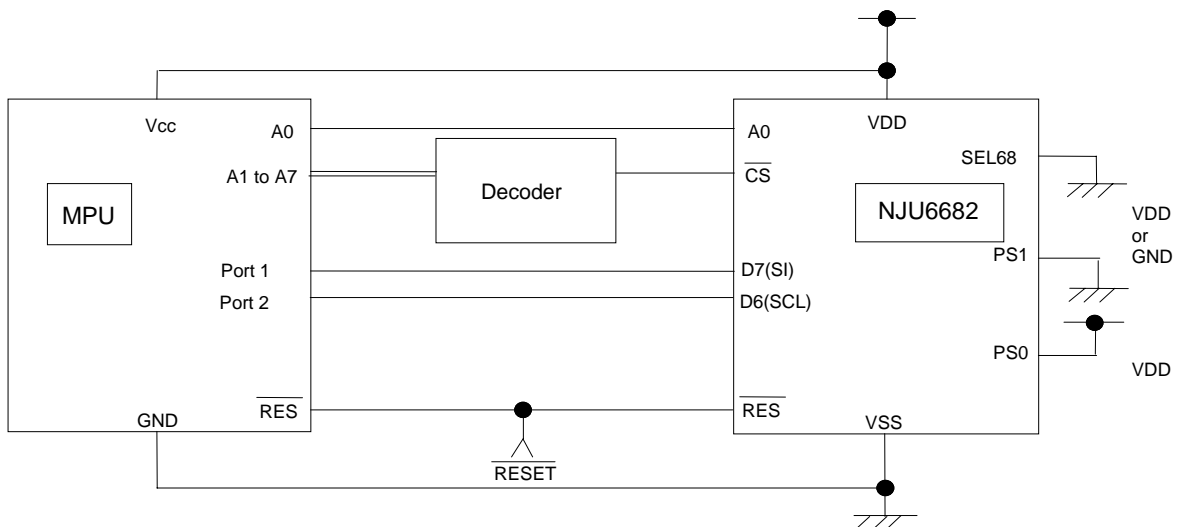
•80 type MPU



•68 type MPU



•Serial Interface (4-Wire)



MEMO

[CAUTION]

The specifications on this databook are only given for information, without any guarantee as regards either mistakes or omissions. The application circuits in this databook are described only to show representative usages of the product and not intended for the guarantee or permission of any right including the industrial rights.